



US00D354173S

United States Patent [19]

[11] Patent Number: **Des. 354,173**

Escobal et al.

[45] Date of Patent: **** Jan. 10, 1995**

[54] **MULTI-PURPOSE BENCH AND TABLE**

[76] Inventors: **Raymond J. Escobal; Melinda J. Escobal**, both of 3026 Redstart, San Antonio, Tex. 78224

[**] Term: **14 Years**

[21] Appl. No.: **15,801**

[22] Filed: **Nov. 29, 1993**

[52] U.S. Cl. **D6/335; D6/336; D6/338**

[58] Field of Search **D6/334, 335, 336, 338, D6/368, 370, 381, 500, 501, 502; 297/1, 3, 119, 124, 232**

[56] **References Cited**

U.S. PATENT DOCUMENTS

D. 181,727	12/1957	Haynes, Sr.	D6/370 X
D. 229,591	12/1973	Trail et al.	D6/370
D. 246,683	12/1977	Cagle	D6/338
D. 248,903	8/1978	O'Connor	D6/338
D. 313,128	12/1990	Serafini	D6/338
2,922,463	1/1960	Johnston	D6/338 X
4,801,175	1/1989	Albanese	297/124

Primary Examiner—Nelson C. Holtje

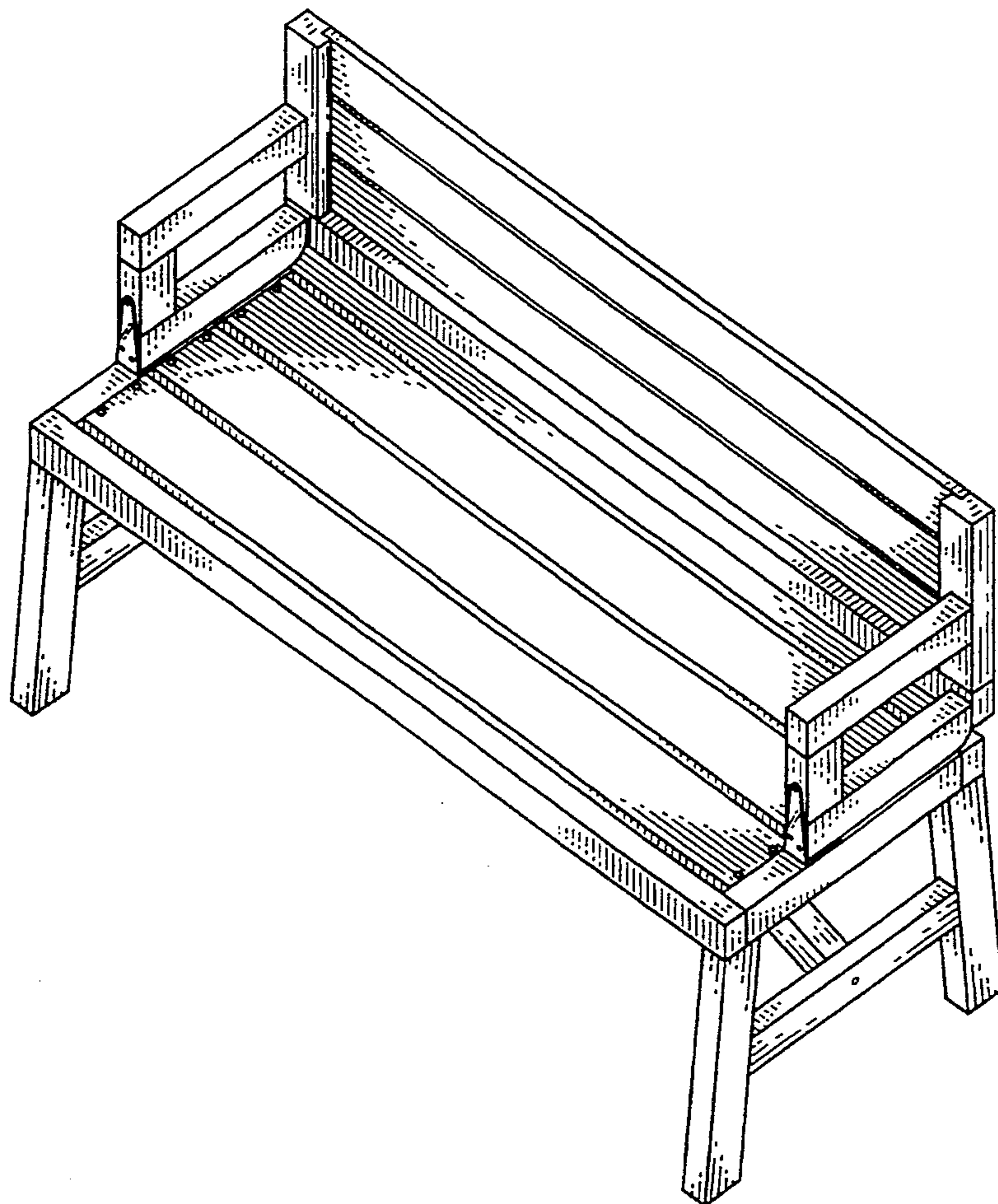
Assistant Examiner—Gary D. Watson
Attorney, Agent, or Firm—Rhones & Ascolillo

[57] **CLAIM**

The ornamental design for a multi-purpose bench and table, as shown.

DESCRIPTION

FIG. 1 is a perspective view of a multi-purpose bench and table in its configuration as a bench showing our new design therefor;
 FIG. 2 is a perspective view of a multi-purpose bench and table in its configuration as a bench and table showing our new design therefor;
 FIG. 3 is a front elevational view of FIG. 1;
 FIG. 4 is a rear elevational view of FIG. 1;
 FIG. 5 is a bottom plan view of FIG. 1;
 FIG. 6 is a top plan view of FIG. 1;
 FIG. 7 is a left side elevational view of FIG. 1;
 FIG. 8 is a right side elevational view of FIG. 1;
 FIG. 9 is a front elevational view of FIG. 2;
 FIG. 10 is a rear elevational view of FIG. 2;
 FIG. 11 is a bottom plan view of FIG. 2;
 FIG. 12 is a top plan view of FIG. 2;
 FIG. 13 is a left side elevational view of FIG. 2; and,
 FIG. 14 is a right side elevational view of FIG. 2.



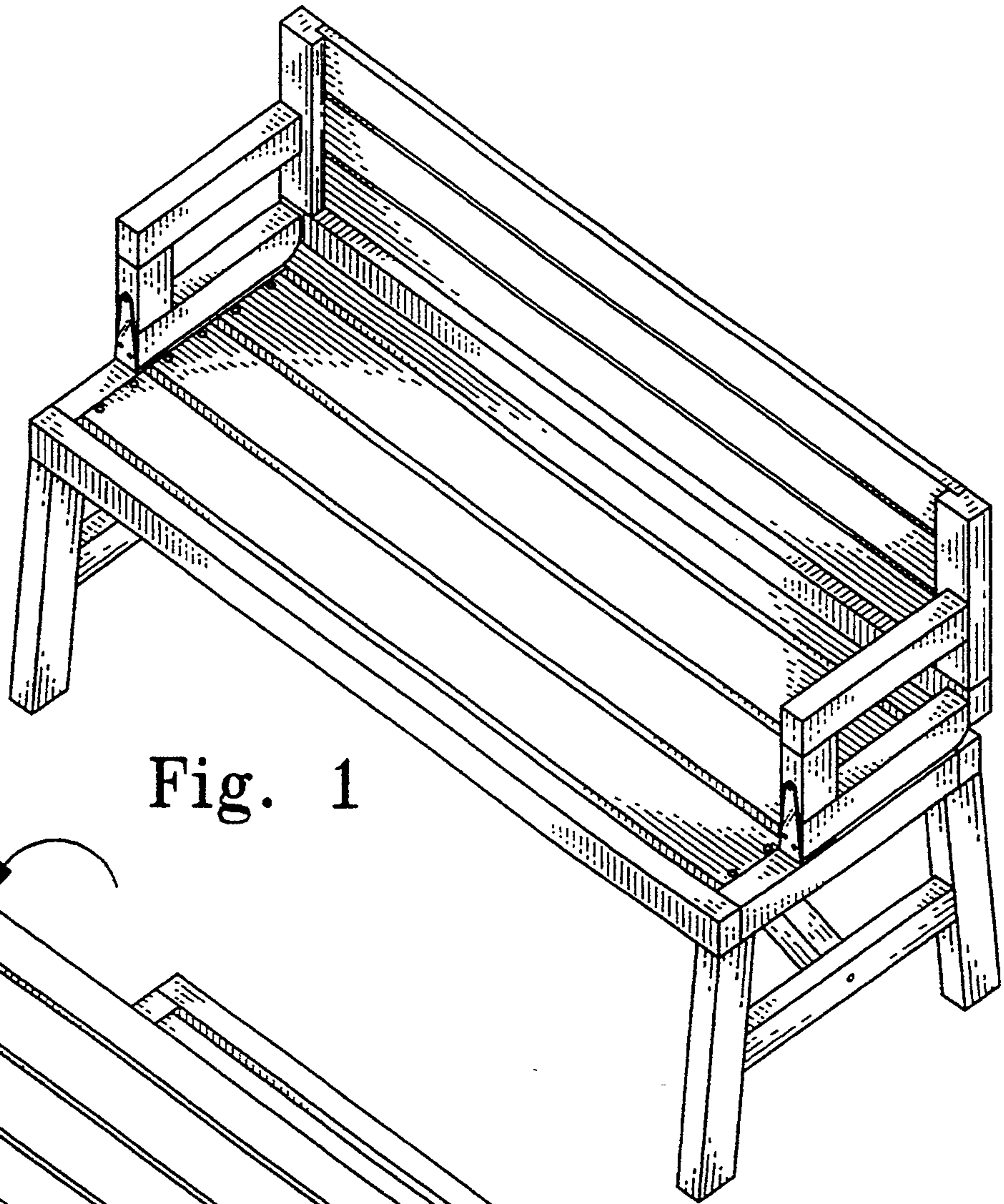


Fig. 1

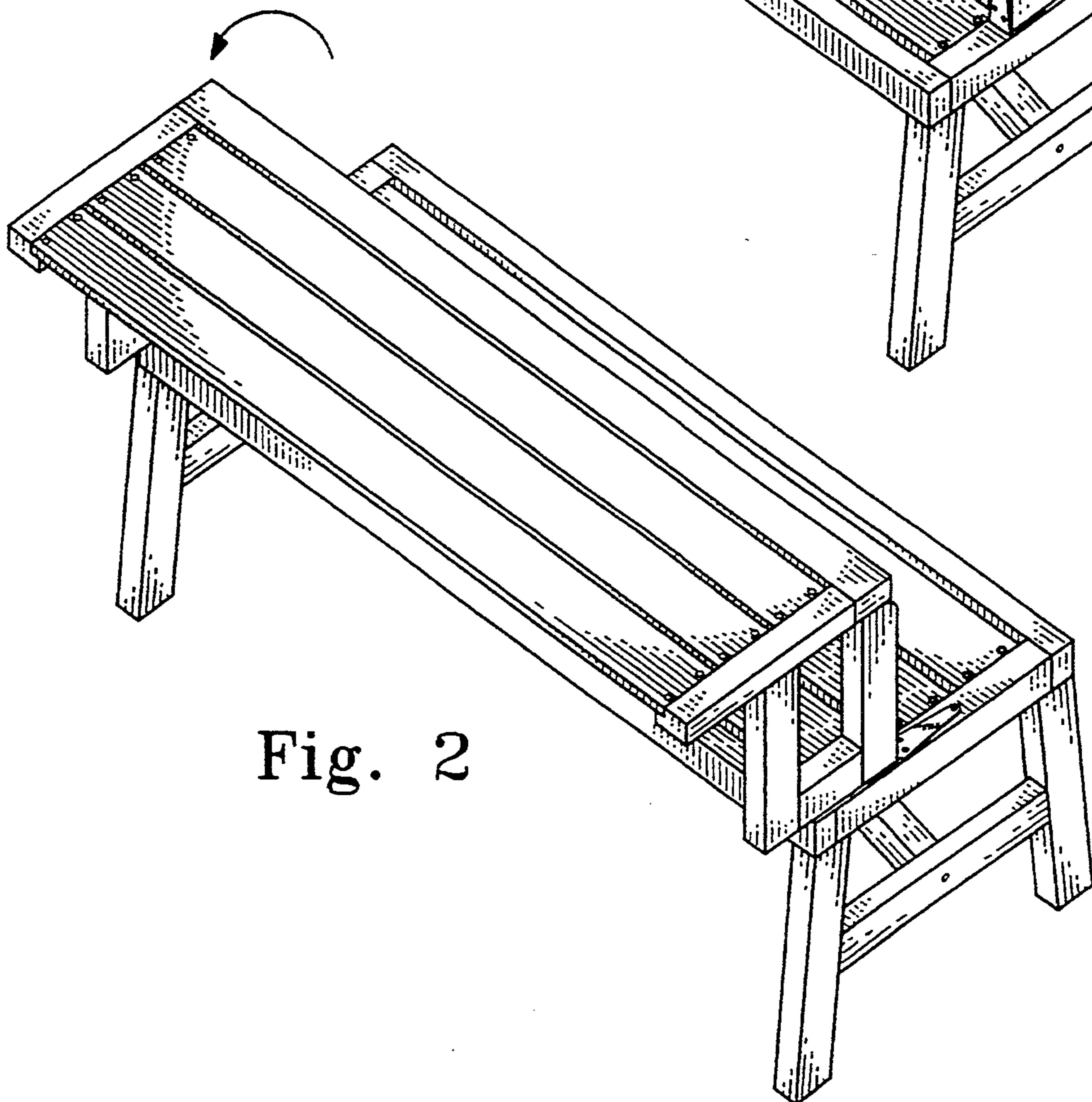


Fig. 2

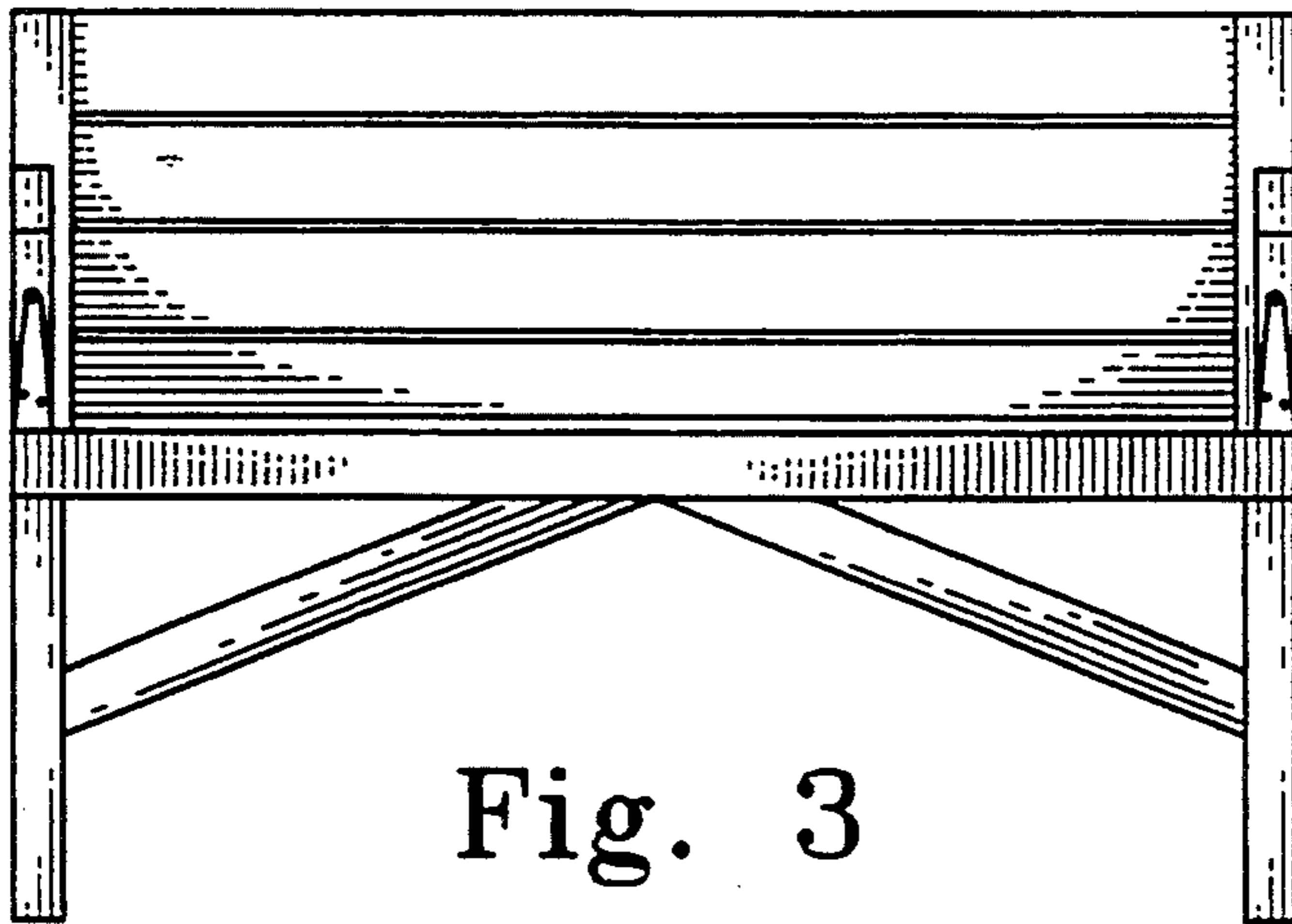


Fig. 3

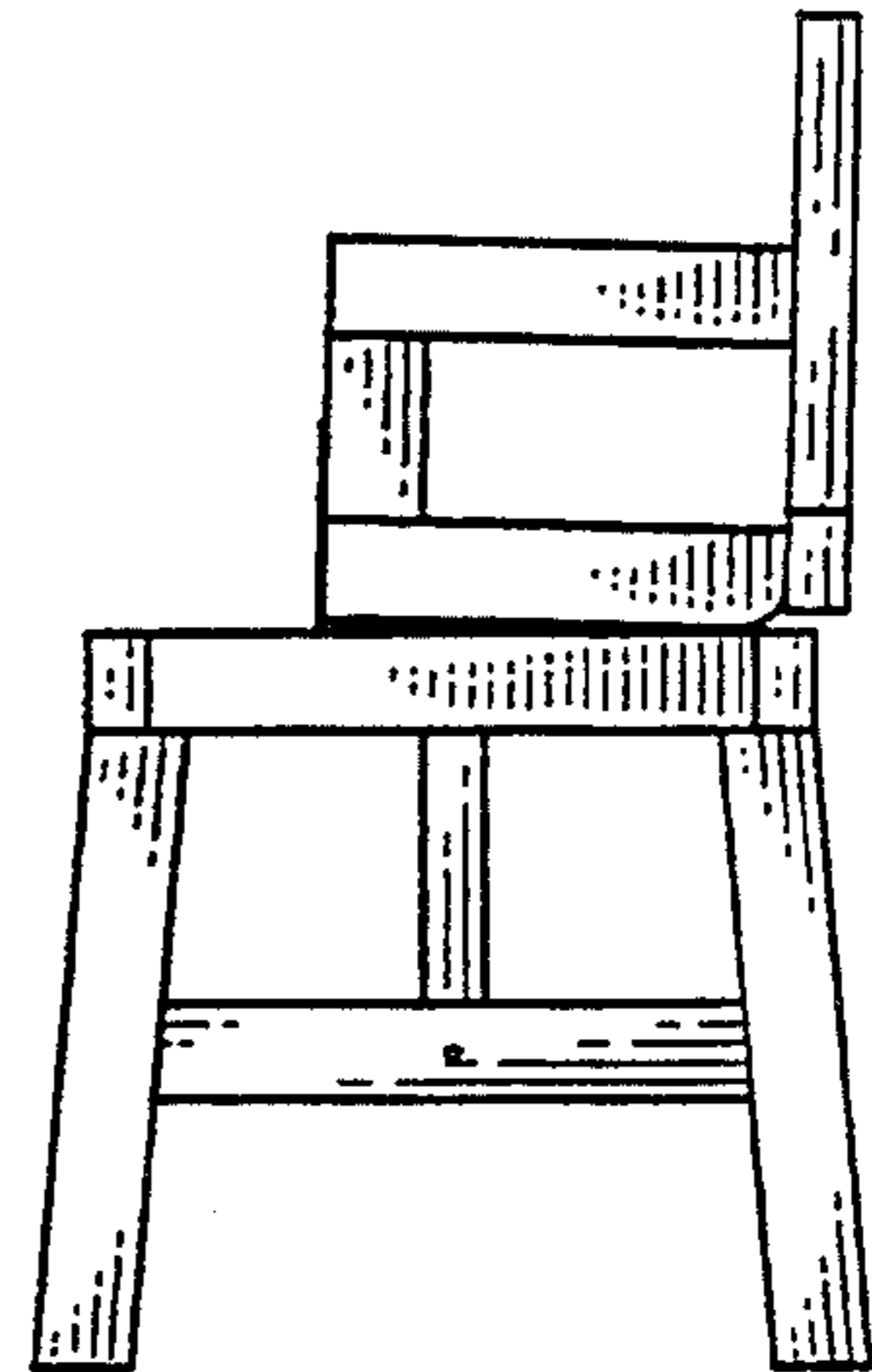


Fig. 7

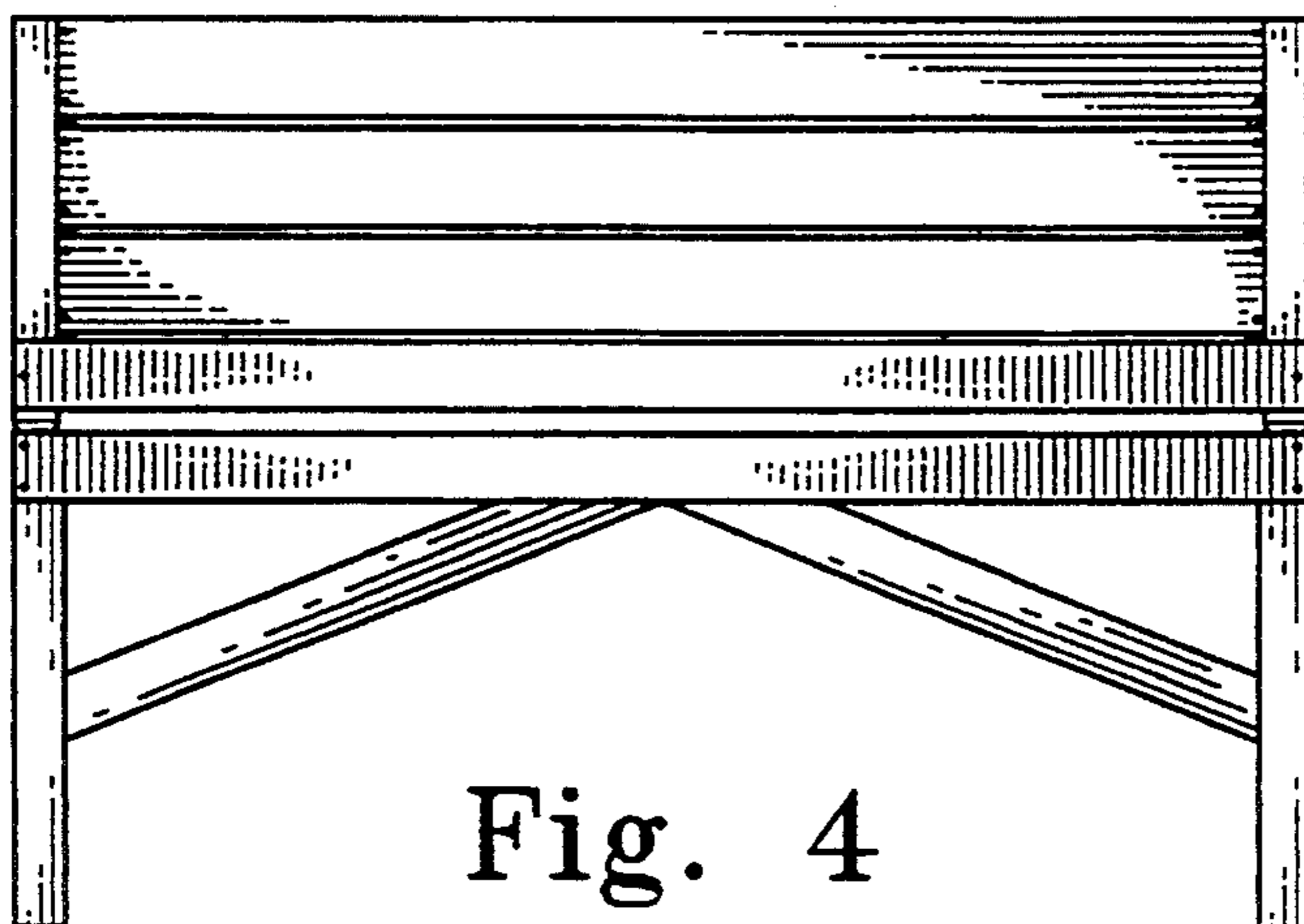


Fig. 4

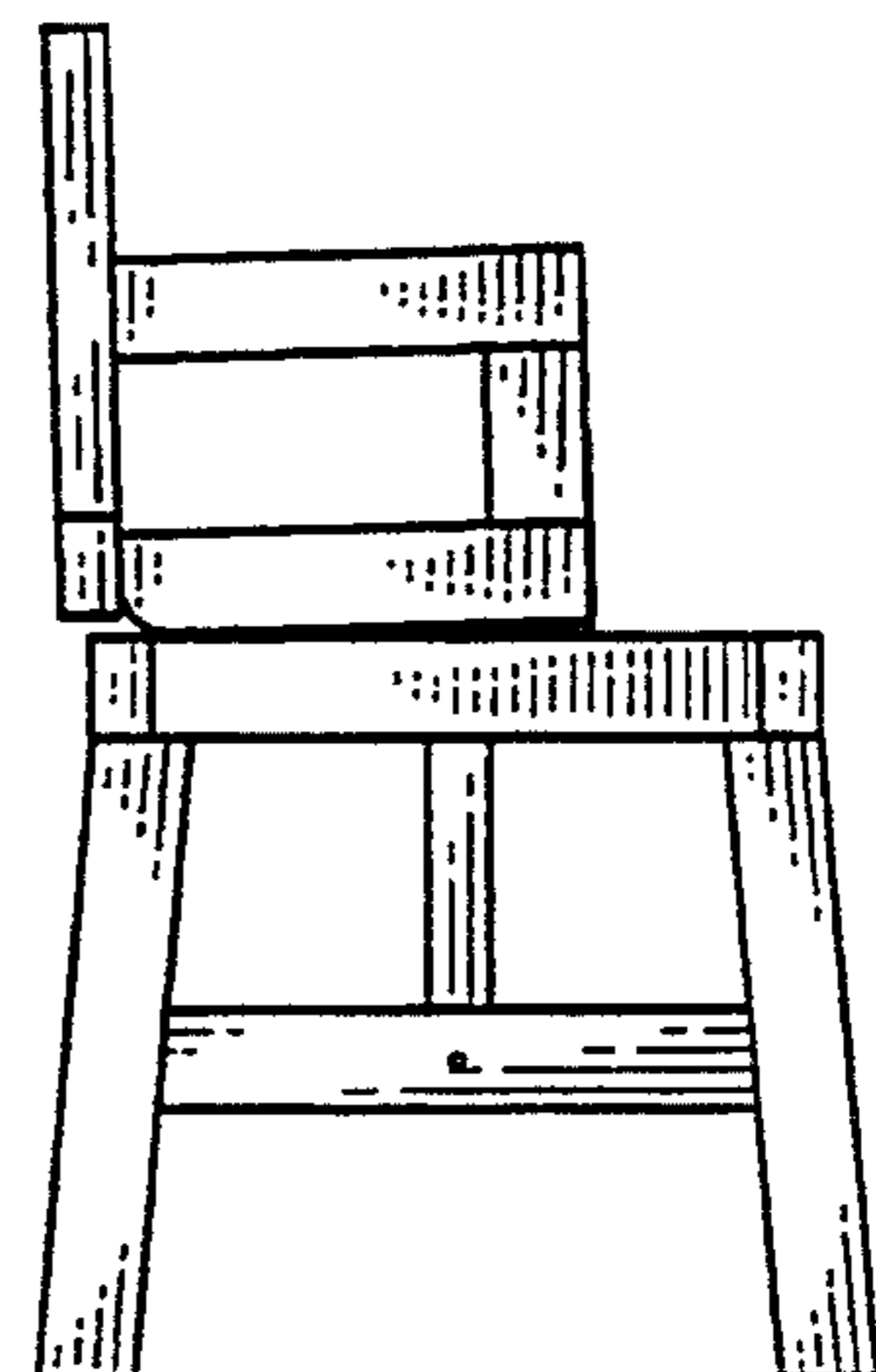


Fig. 8

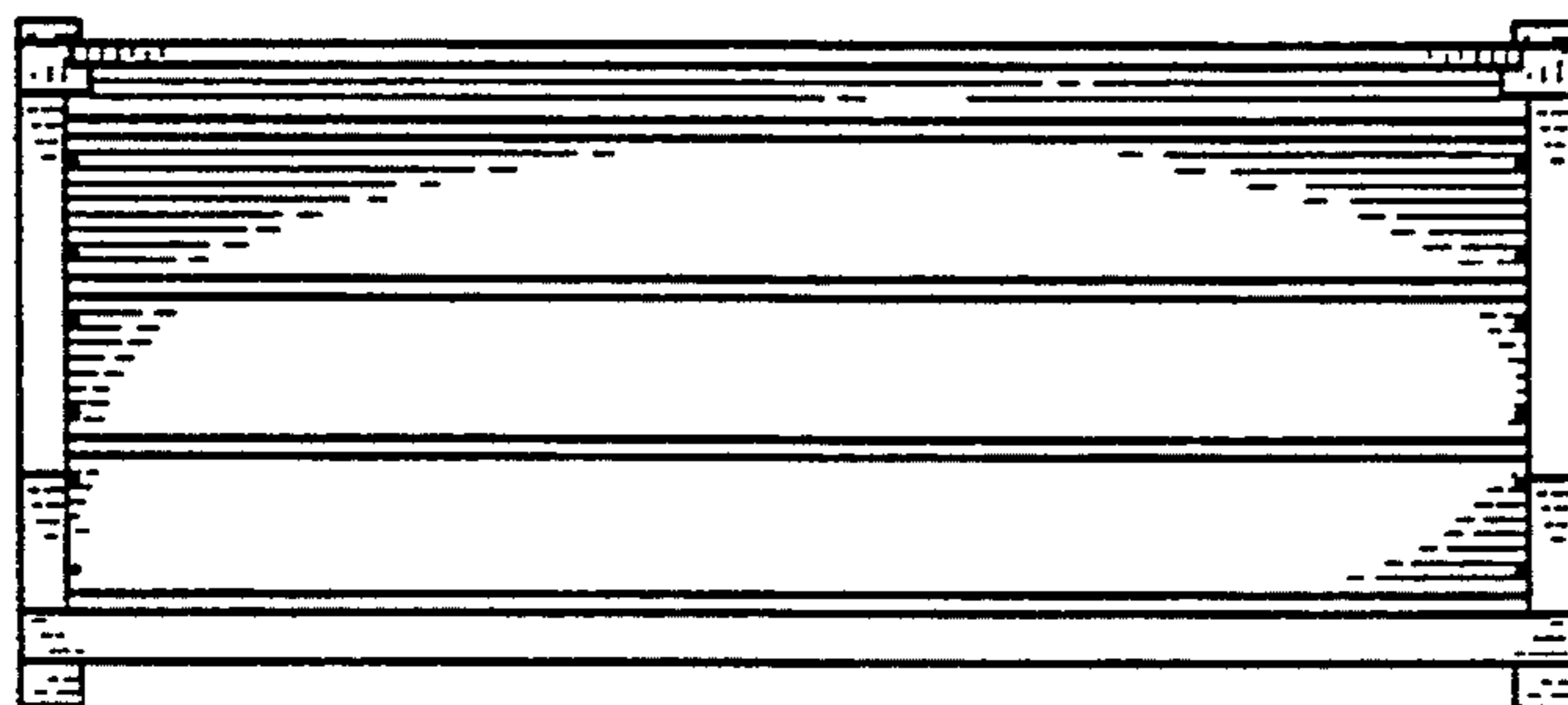


Fig. 5

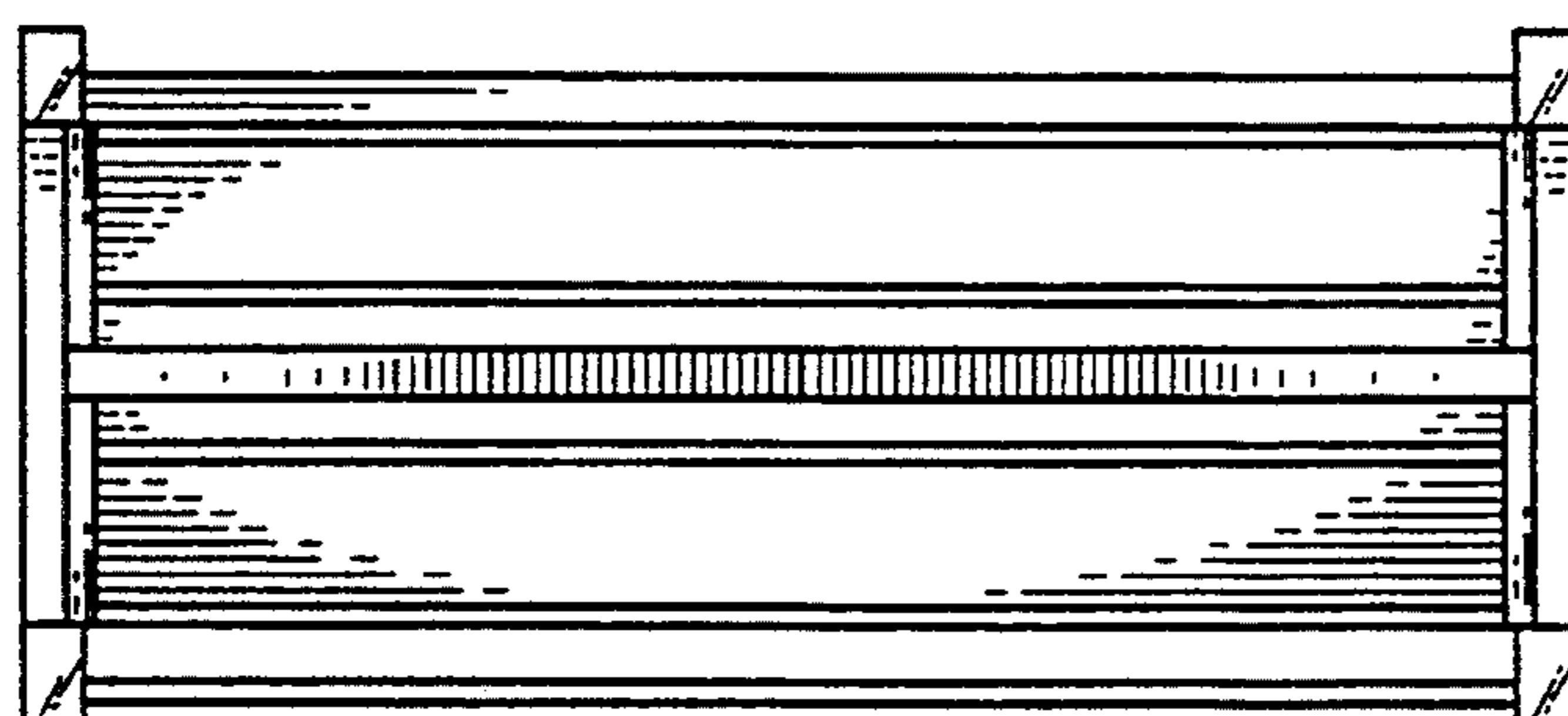


Fig. 6

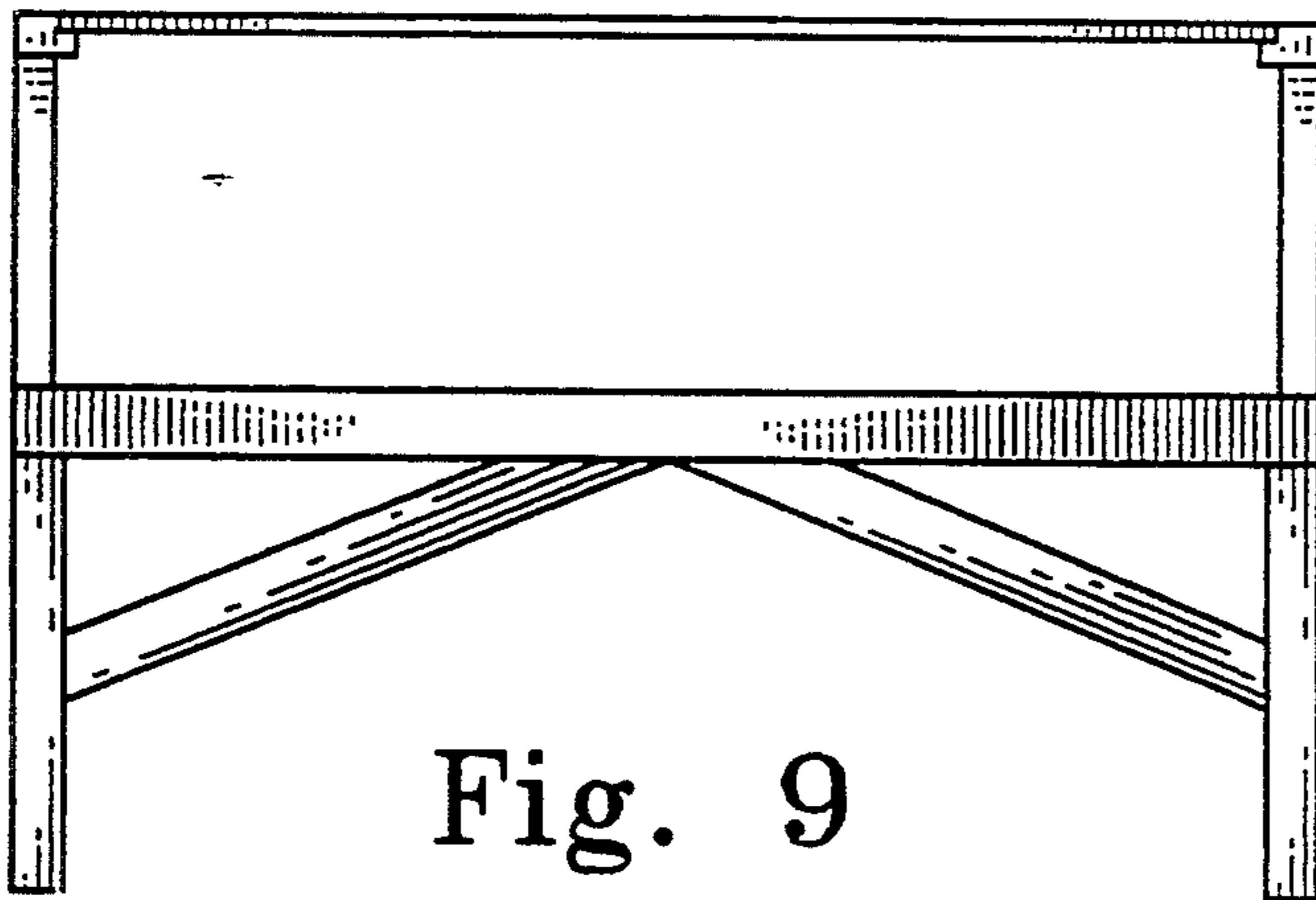


Fig. 9

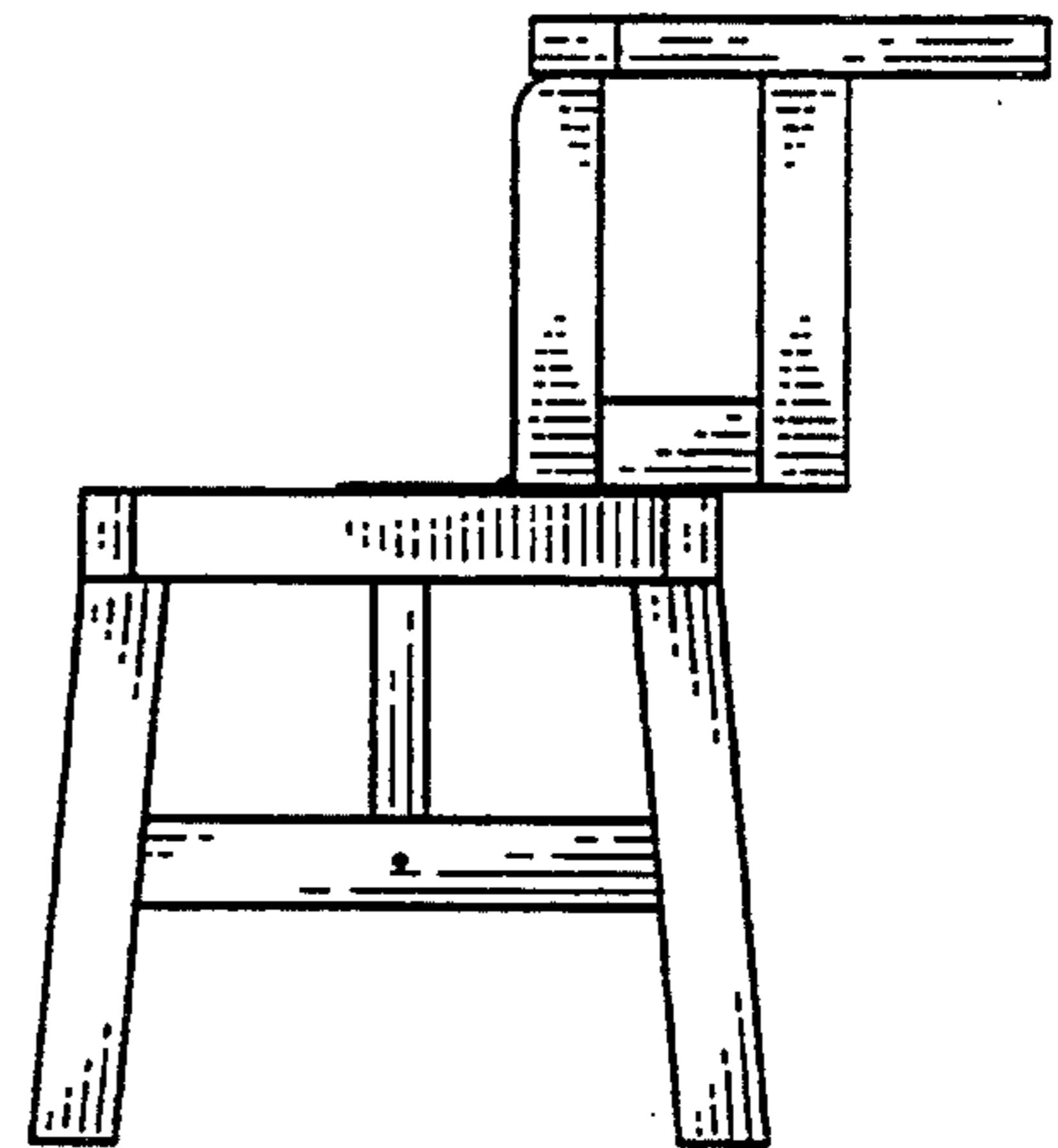


Fig. 13

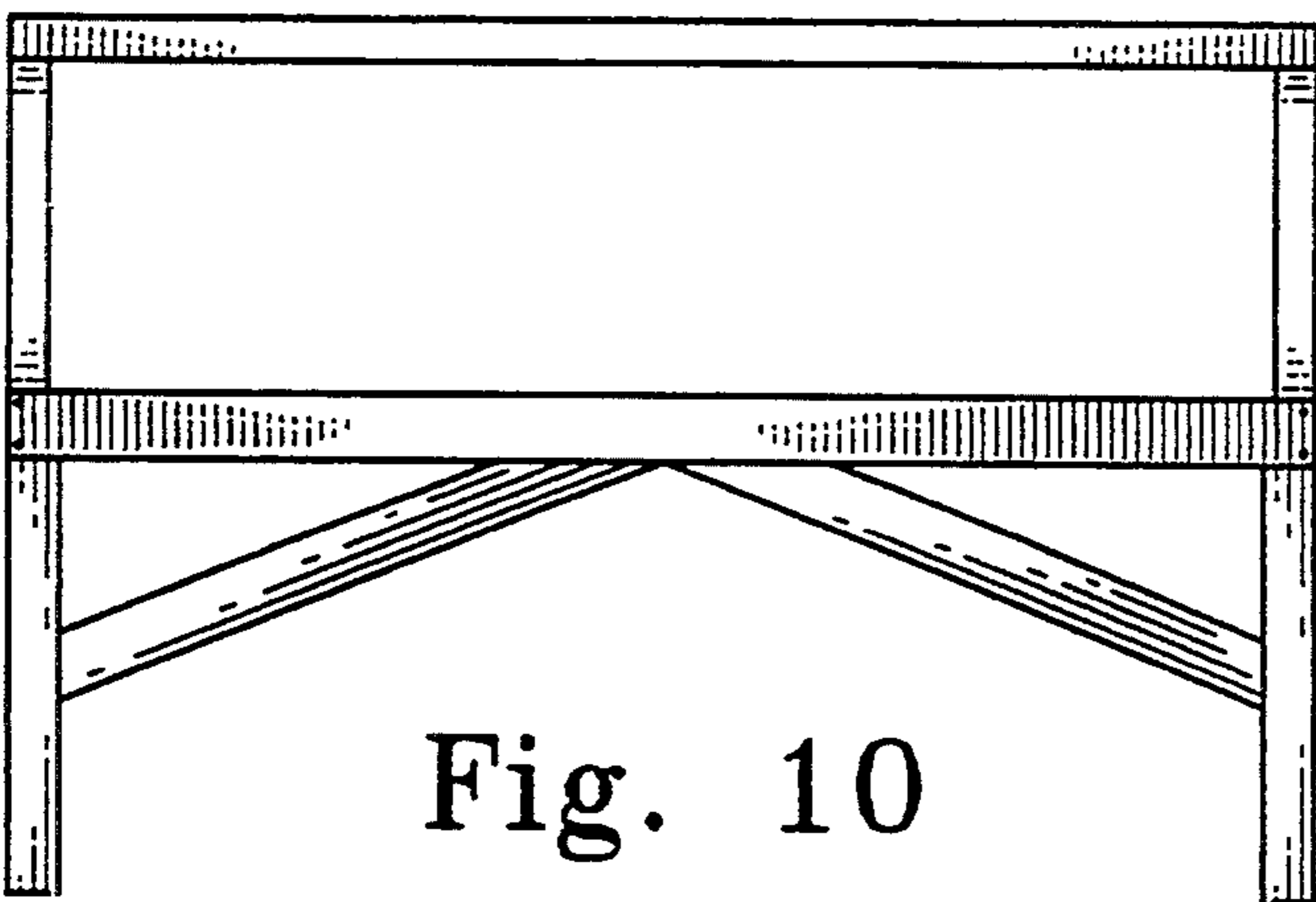


Fig. 10

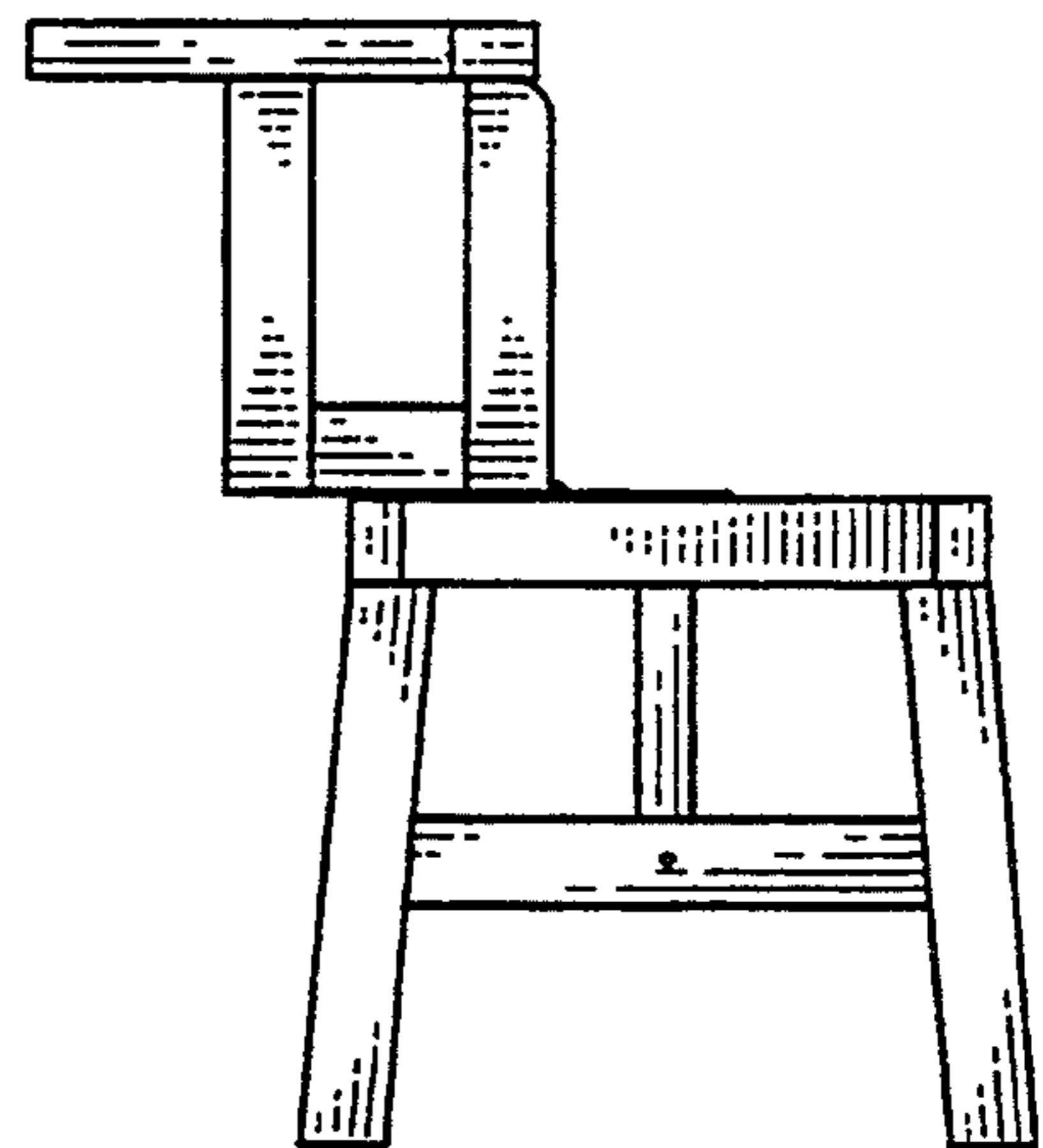


Fig. 14

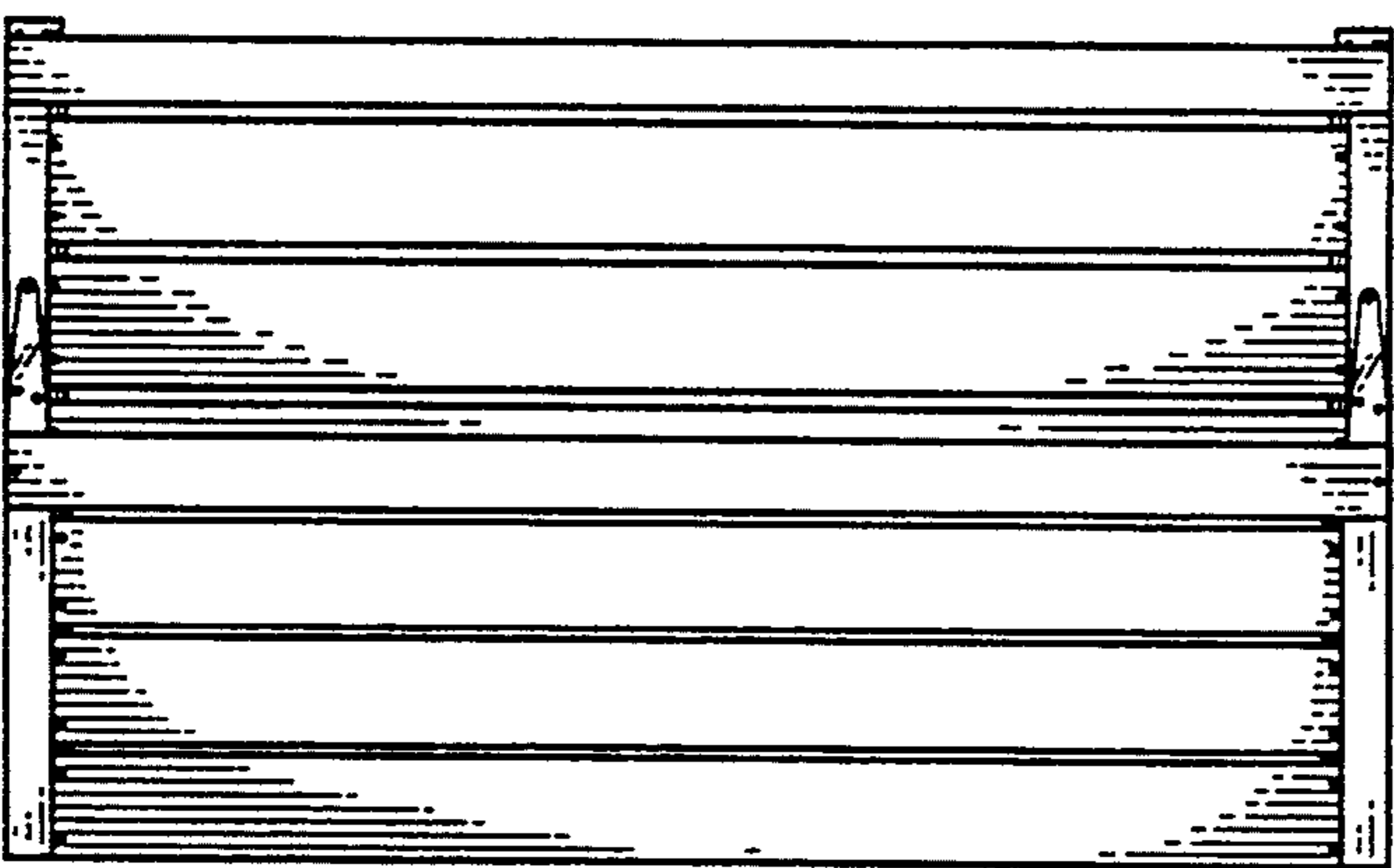


Fig. 11

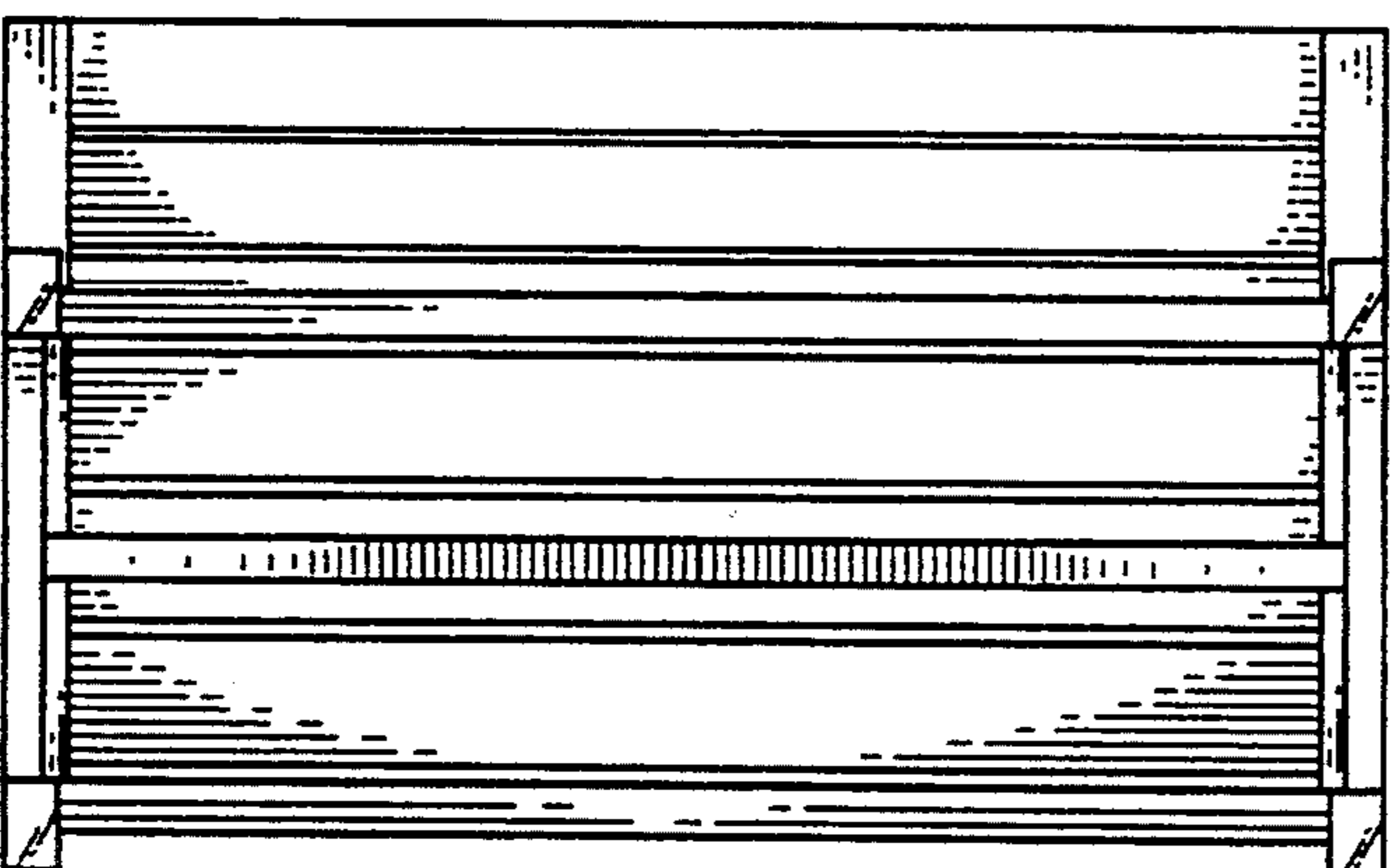


Fig. 12