



US00D354170S

United States Patent [19]

[11] Patent Number: **Des. 354,170**

Libman

[45] Date of Patent: **** Jan. 10, 1995**

[54] **COMBINED BROOM HEAD HOLDER AND HANDLE ATTACHMENT**

[75] Inventor: **Robert J. Libman, Champaign, Ill.**

[73] Assignee: **The Libman Company, Arcola, Ill.**

[**] Term: **14 Years**

[21] Appl. No.: **951,536**

[22] Filed: **Sep. 28, 1992**

[52] U.S. Cl. **D4/199**

[58] Field of Search **D4/132, 135, 199; 15/143.1, 145, 146, 159.1, 160**

[56] **References Cited**

U.S. PATENT DOCUMENTS

1,311,657 7/1919 Levins 15/146
3,121,899 2/1964 Lindmark 15/143.1 X

FOREIGN PATENT DOCUMENTS

223447 10/1924 United Kingdom 15/146

Primary Examiner—Wallace R. Burke
Assistant Examiner—Lavone D. Tabor
Attorney, Agent, or Firm—Marshall, O'Toole, Gerstein, Murray & Borun

[57] **CLAIM**

The ornamental design for a combined broom head holder and handle attachment, as shown and described.

DESCRIPTION

FIG. 1 is a top, front and left side perspective view of a combined broom head holder and handle attachment showing my new design;

FIG. 2 is a left side elevational view thereof with the right side being a mirror image thereof;

FIG. 3 is a front elevational view thereof;

FIG. 4 is a rear elevational view thereof;

FIG. 5 is a top plan view thereof; and,

FIG. 6 is a bottom view thereof.

The broken lines showing of a broom head and handle are for illustrative purposes only and form no part of the claimed design.

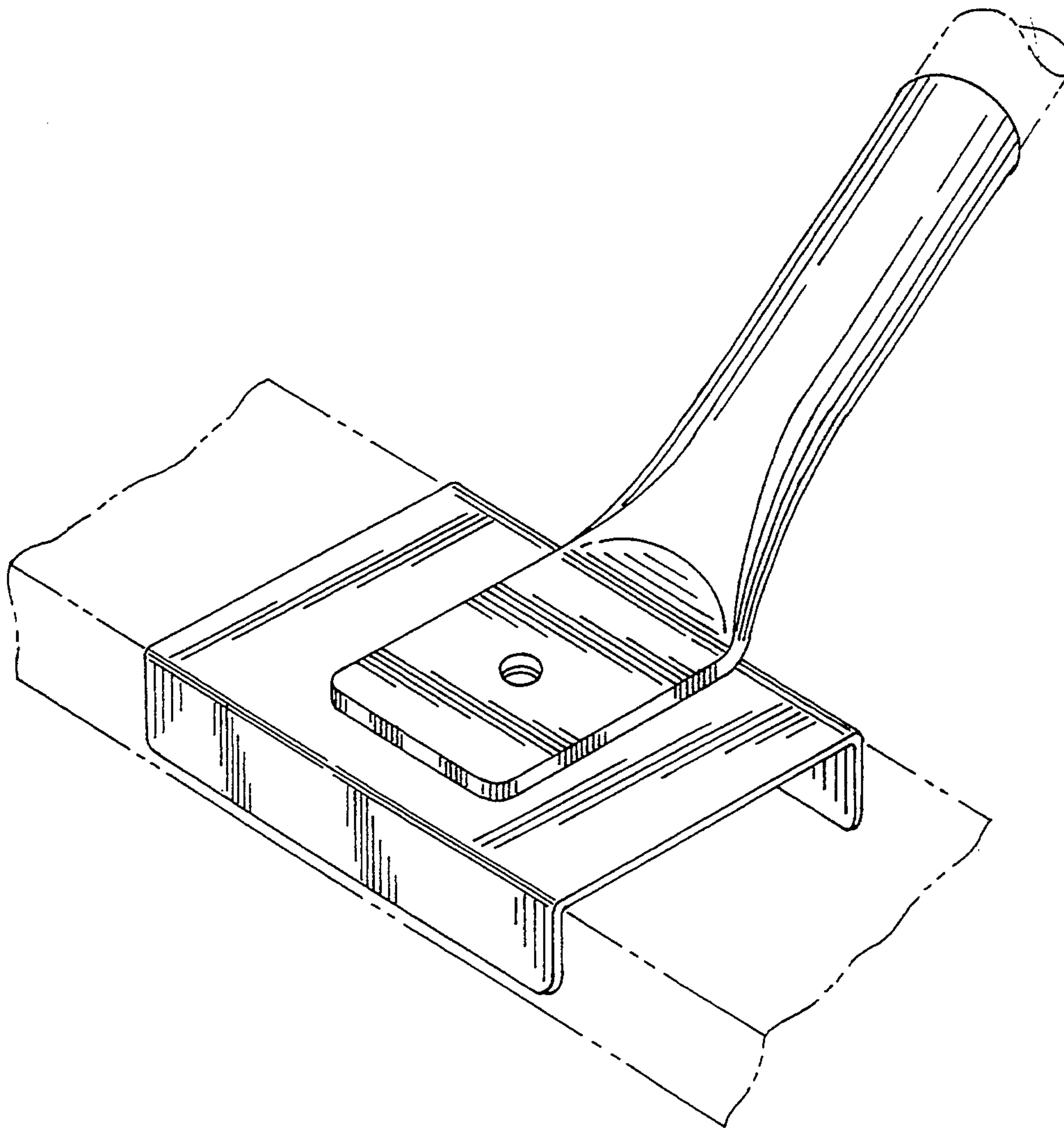


FIG. 1

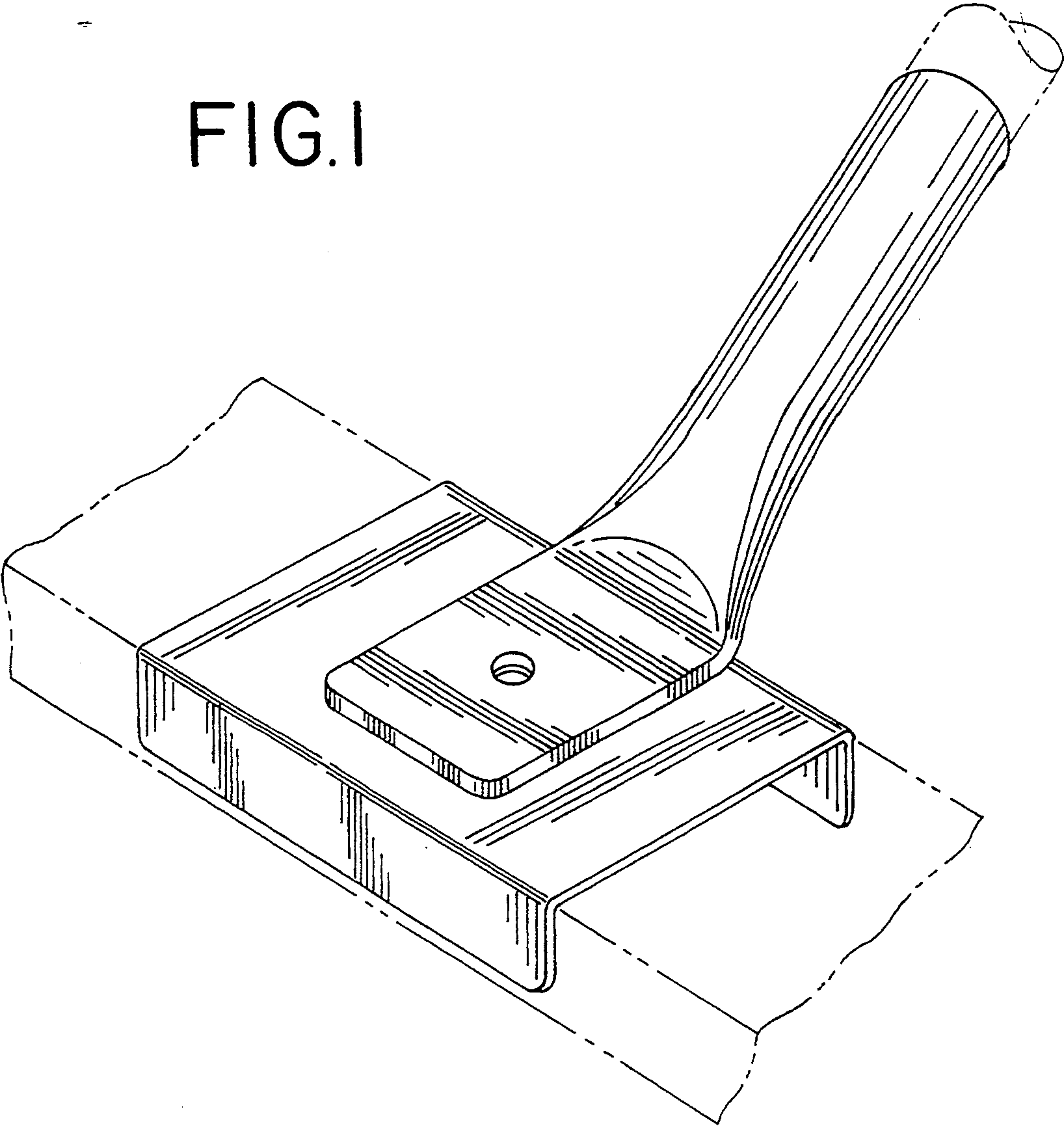


FIG. 2

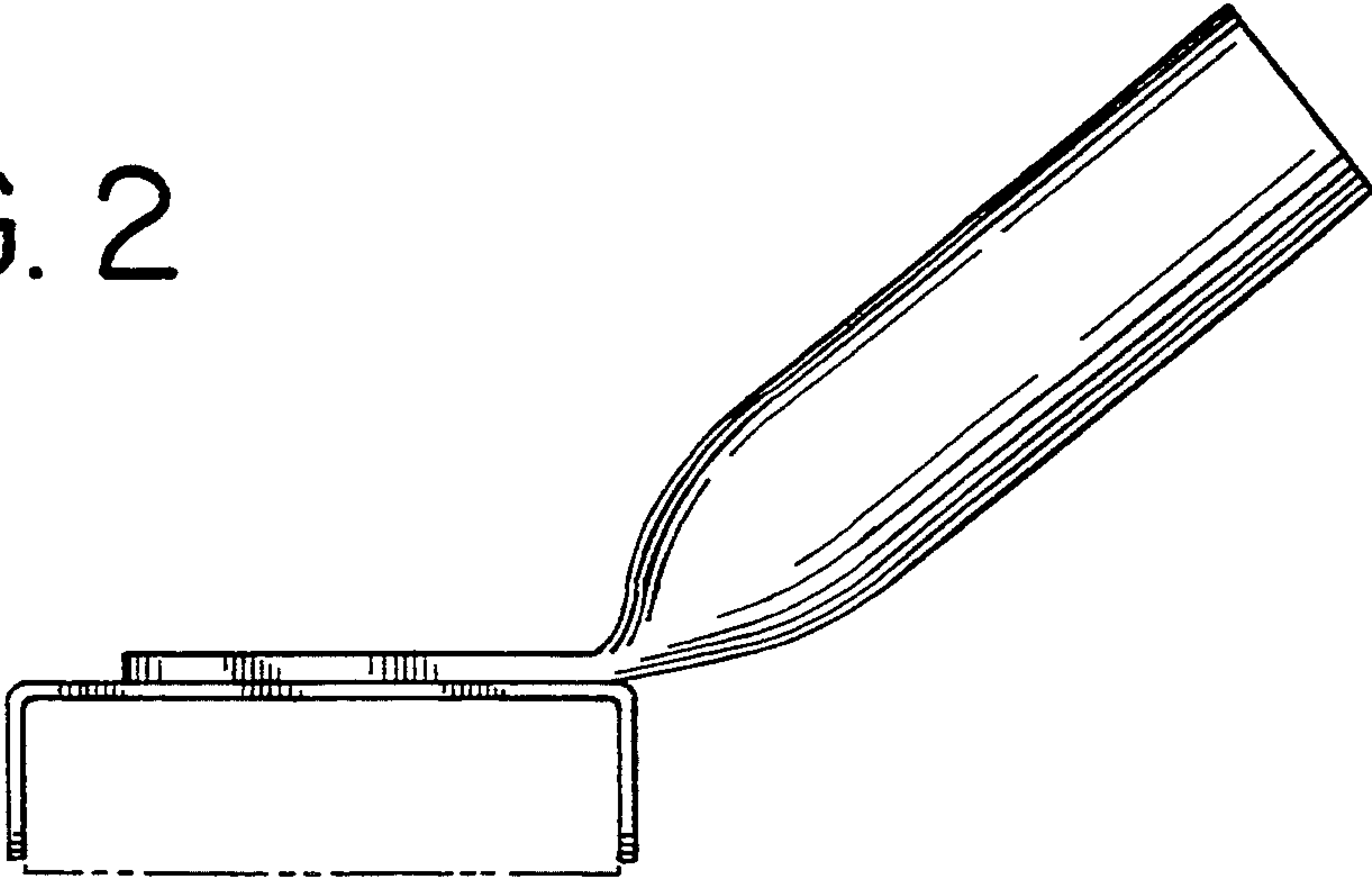


FIG.3

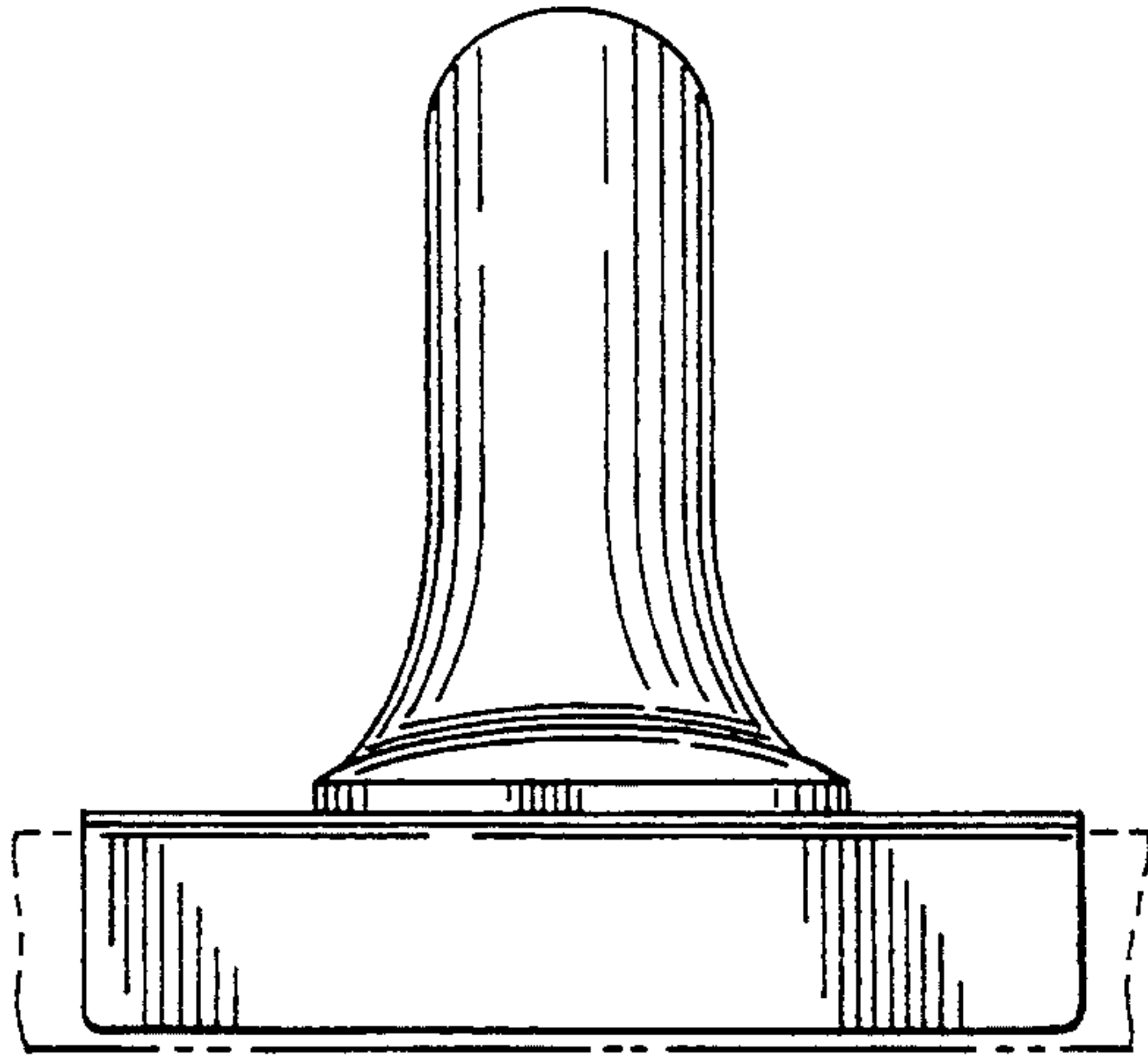


FIG.4

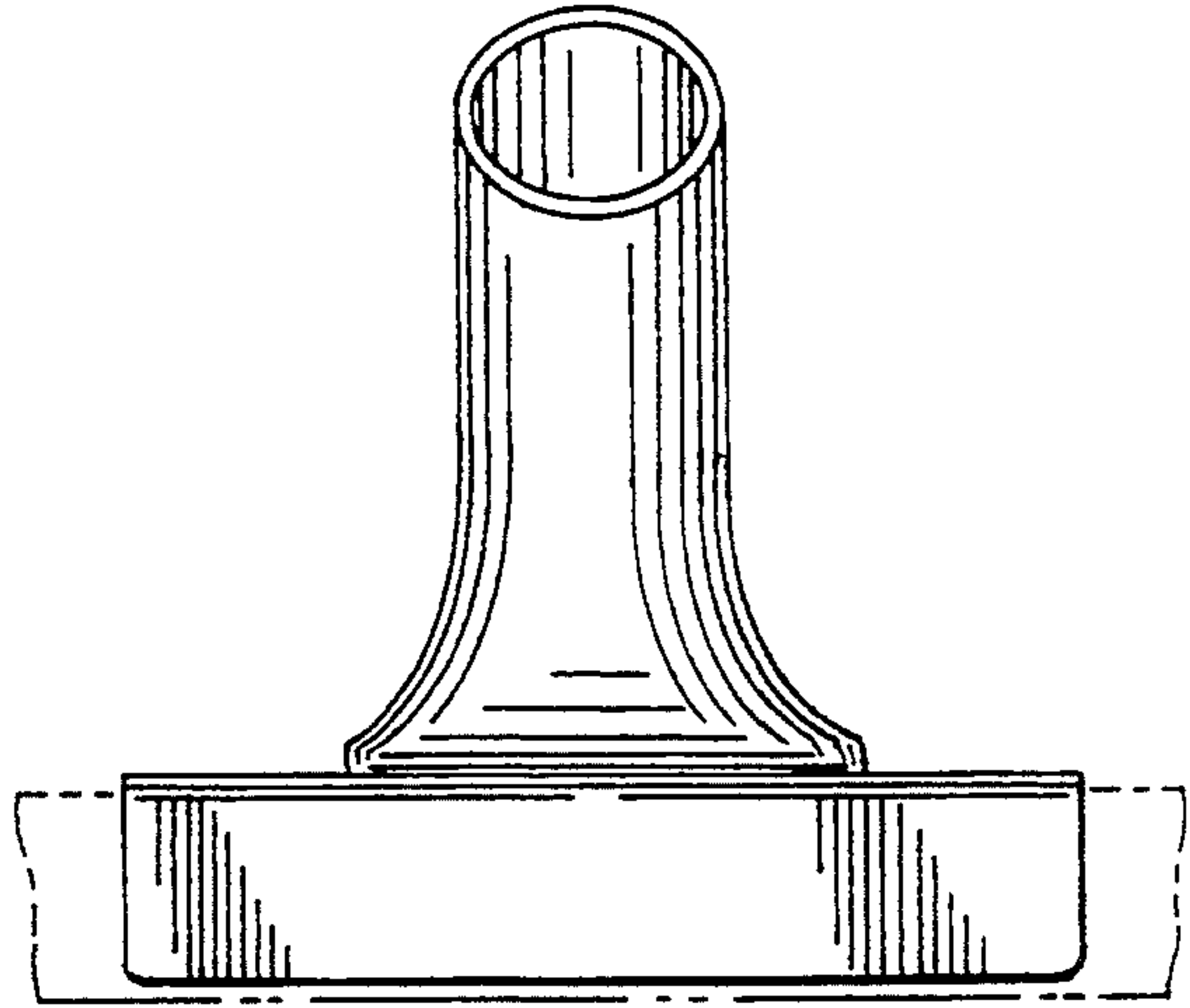


FIG.5

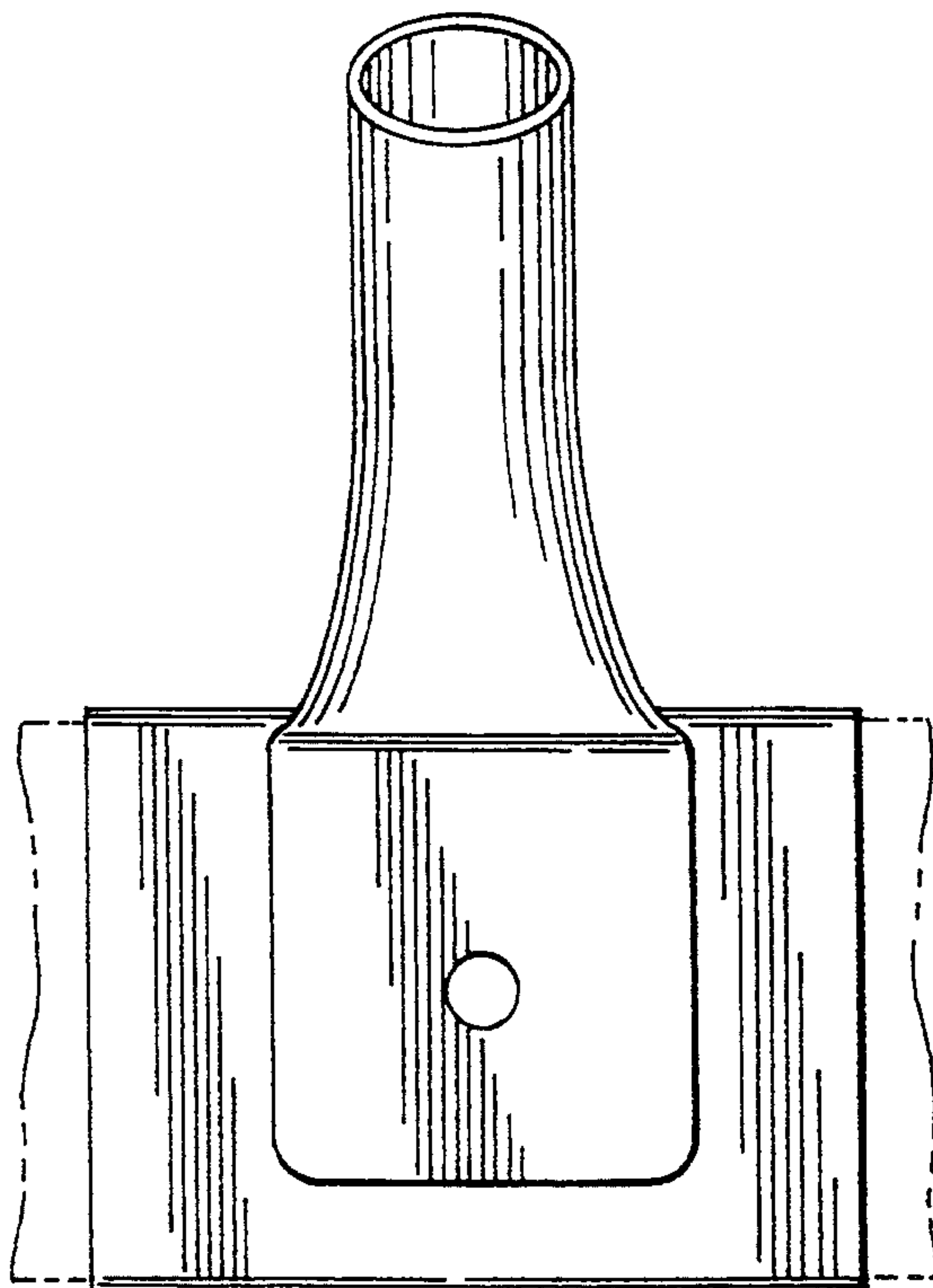


FIG.6

