



US00D354161S

# United States Patent [19]

[11] Patent Number: **Des. 354,161**

Dyer et al.

[45] Date of Patent: **\*\* Jan. 10, 1995**

[54] **HEEL PORTION OF A SHOE SOLE**

D. 335,021 4/1993 Hatfield ..... D2/321 X

[75] Inventors: **Robert M. Dyer**, St. Louis County;  
**Zenon O. Smotrycz**; **Edward J. Norton**, both of Middlesex County,  
all of Mo.

*Primary Examiner*—Louis S. Zarfaz  
*Attorney, Agent, or Firm*—Polster, Lieder Woodruff &  
Lucchesi

[73] Assignee: **Brown Group, Inc.**, St. Louis, Mo.

[57] **CLAIM**

[\*\*] Term: **14 Years**

The ornamental design of a heel portion of a shoe sole,  
as shown and described.

[21] Appl. No.: **549**

**DESCRIPTION**

[22] Filed: **Oct. 19, 1992**

[52] U.S. Cl. .... **D2/953; D2/957**

[58] Field of Search ..... **D2/264, 265, 274, 311,**  
**D2/317-323, 953, 957; 36/25 R, 28, 29, 30 R,**  
**32 R, 59 R, 59 C, 83, 84, 89, 100-107, 112-114,**  
**132, 136**

The broken line showing of the fore portion of the shoe  
sole in FIGS. 1 and 2 is for illustrative purposes only  
and forms no part of the claimed design.

FIG. 1 is a side elevation of the heel portion of a shoe  
sole, showing our new design;

FIG. 2 is a bottom view thereof;

FIG. 3 is a top view of the heel portion thereof;

FIG. 4 is a view of the opposite side of the heel portion  
thereof;

FIG. 5 is a sectional elevational view taken along line  
5-5 of FIG. 3;

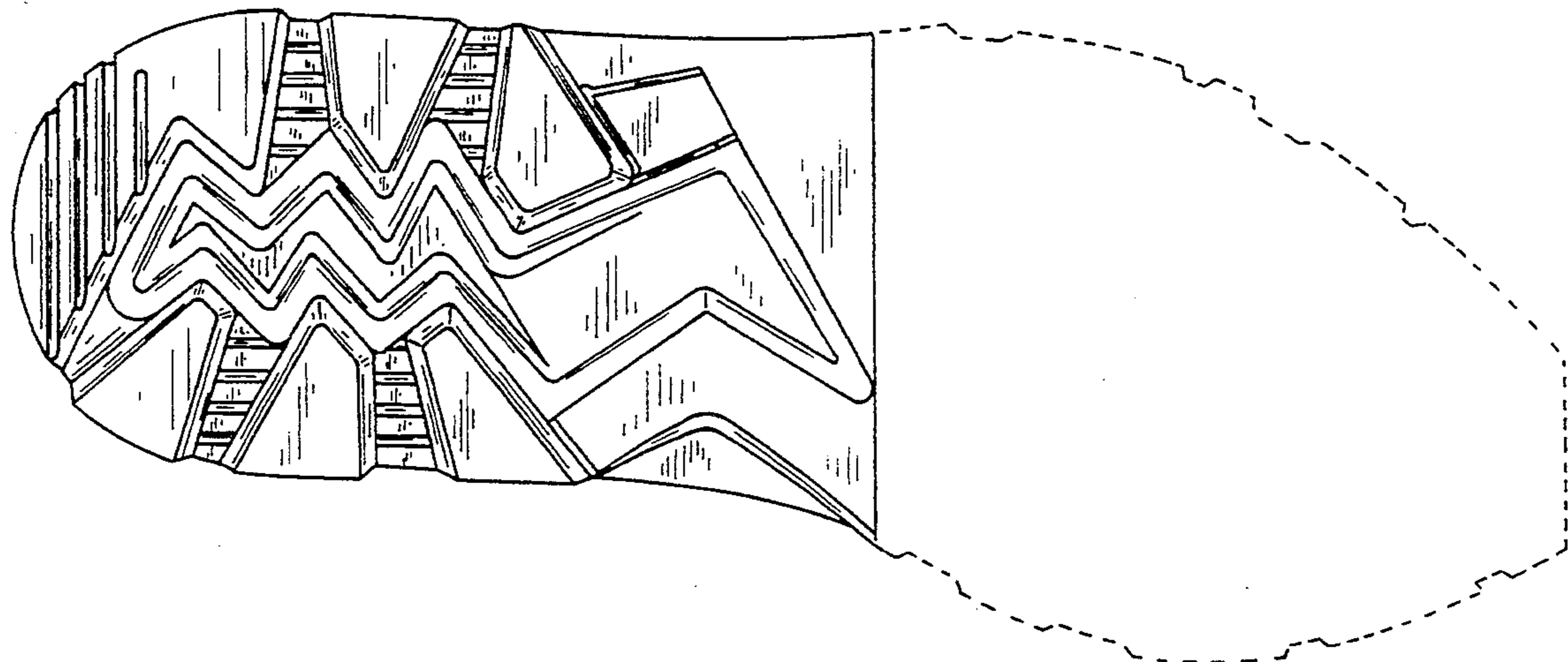
FIG. 6 is a sectional elevational view taken along line  
6-6 of FIG. 3; and,

FIG. 7 is a rear elevational view thereof.

[56] **References Cited**

**U.S. PATENT DOCUMENTS**

- D. 86,026 1/1932 Hopwood ..... D2/320
- D. 166,472 4/1952 Kaplan ..... D2/321
- D. 327,164 6/1992 Hatfield ..... D2/320
- D. 333,908 3/1993 Teague ..... D2/320



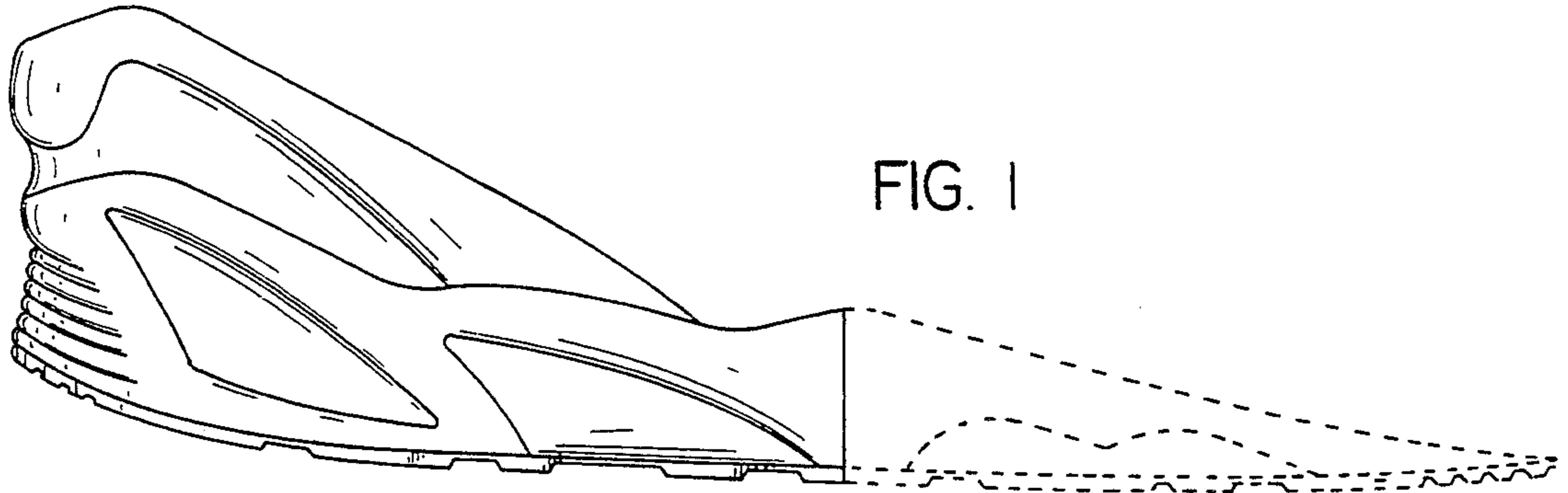


FIG. 1

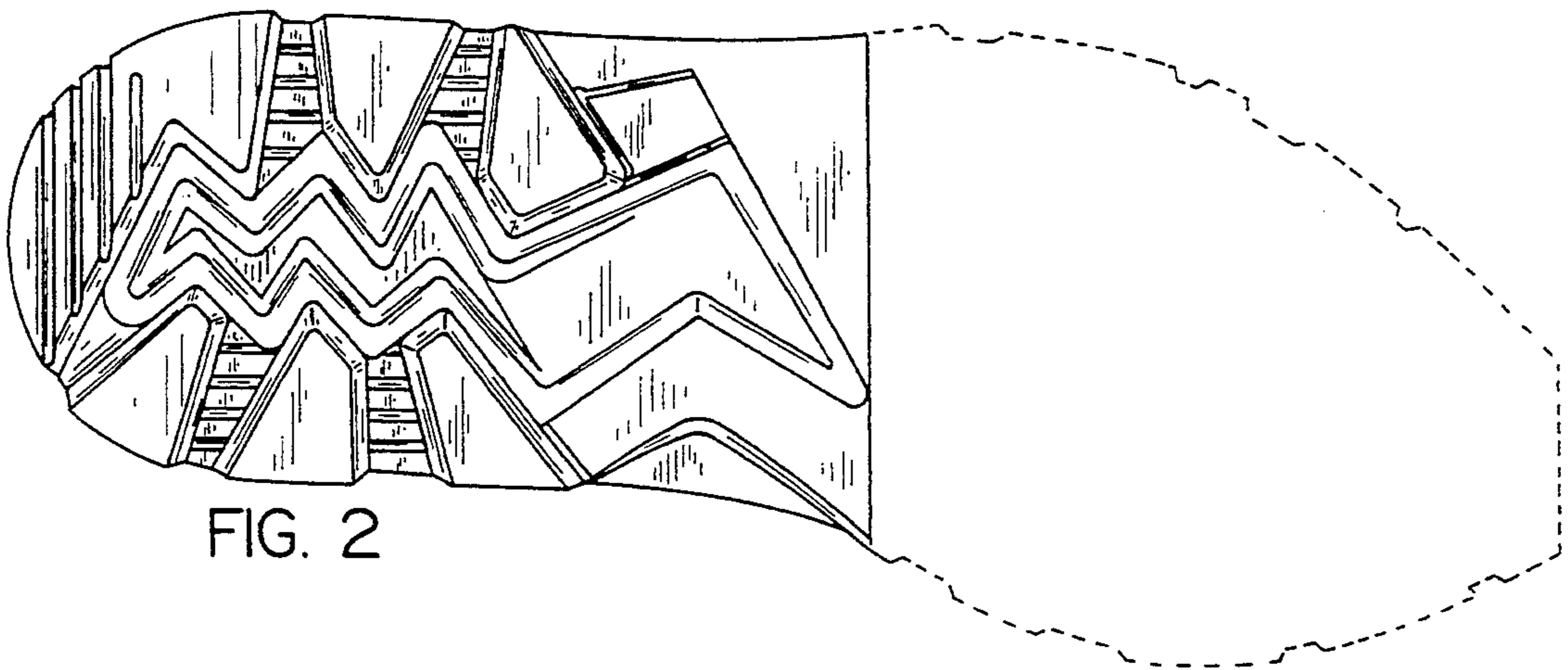


FIG. 2

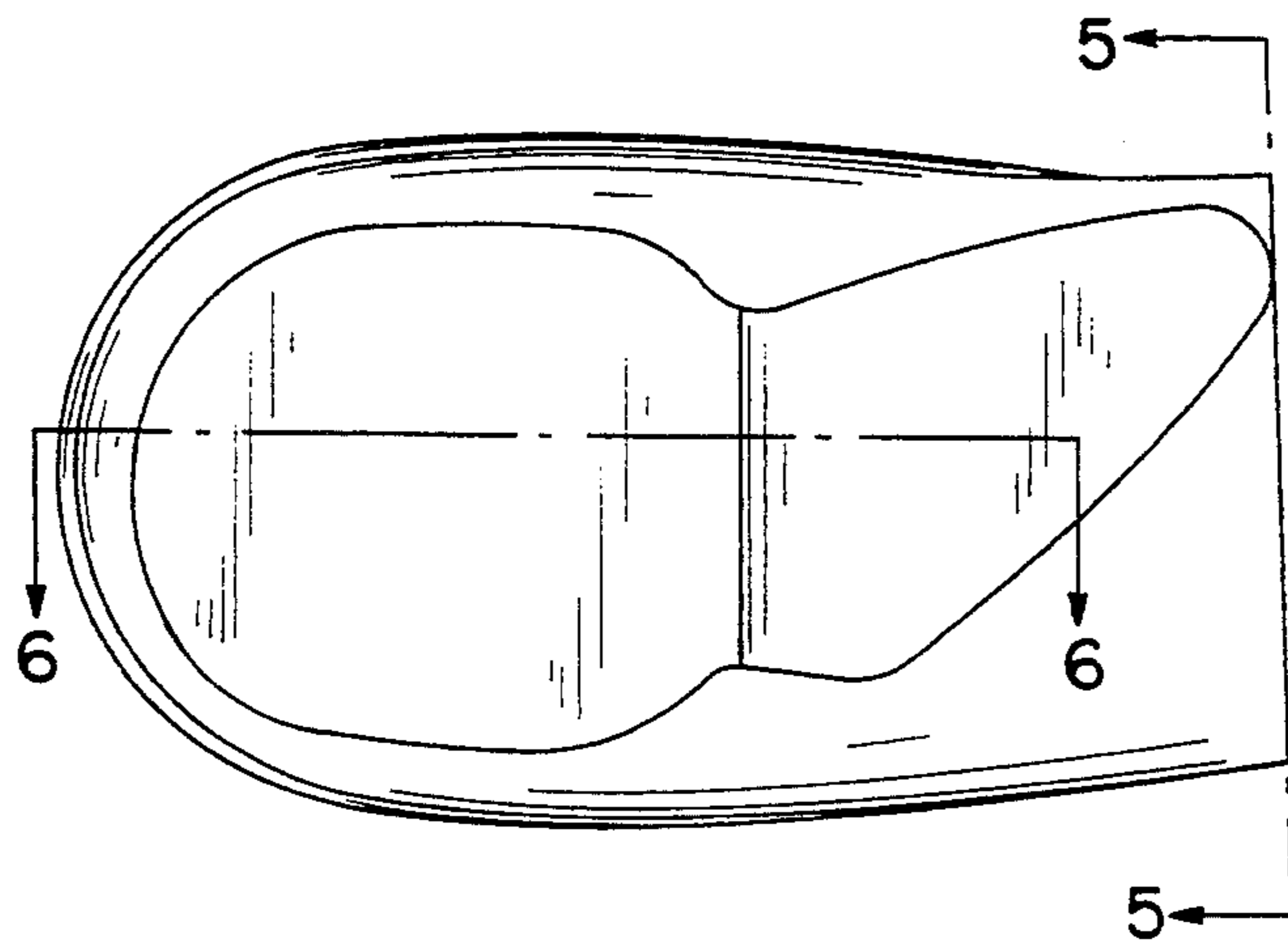


FIG. 3

FIG. 4

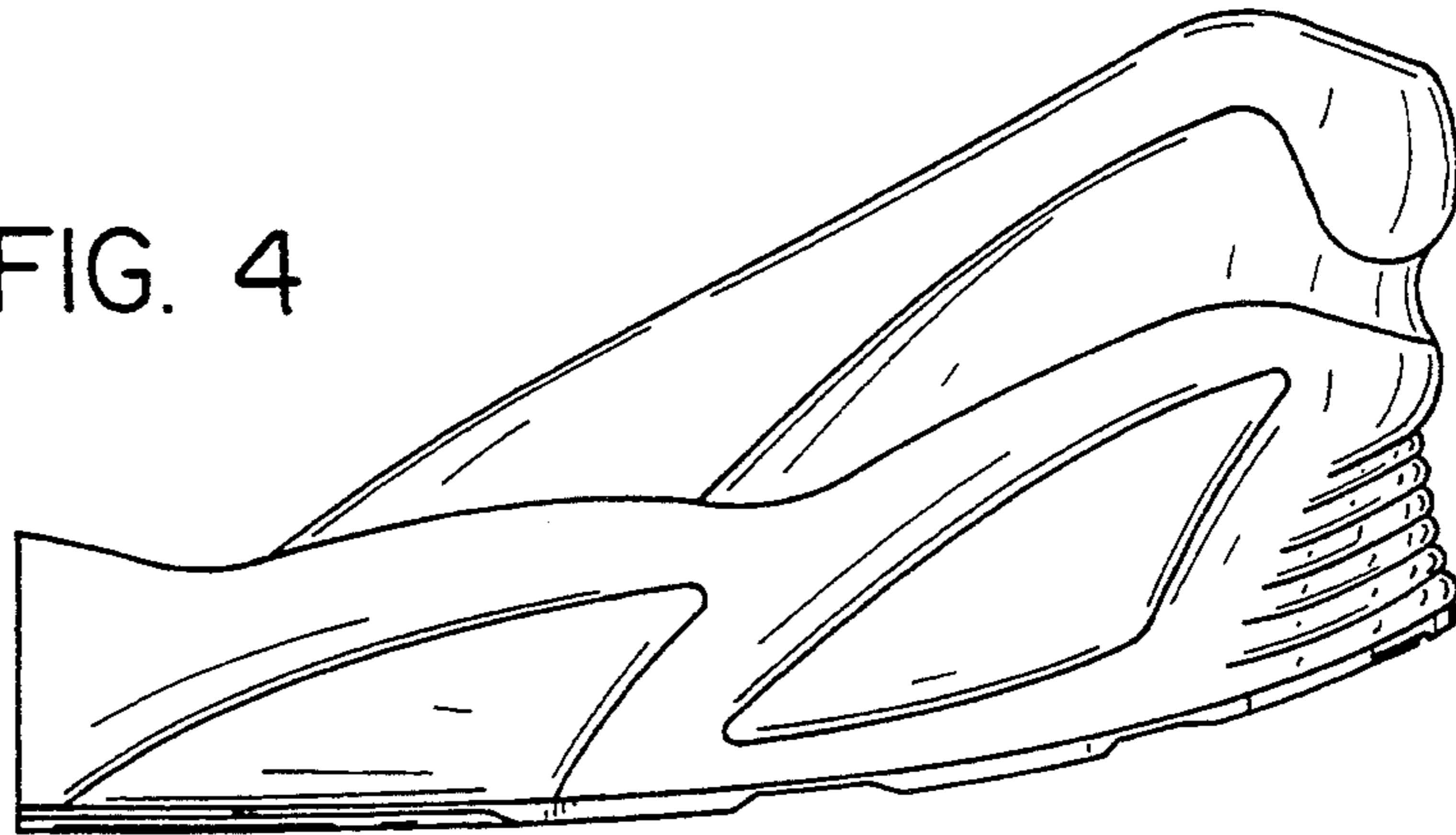


FIG. 5

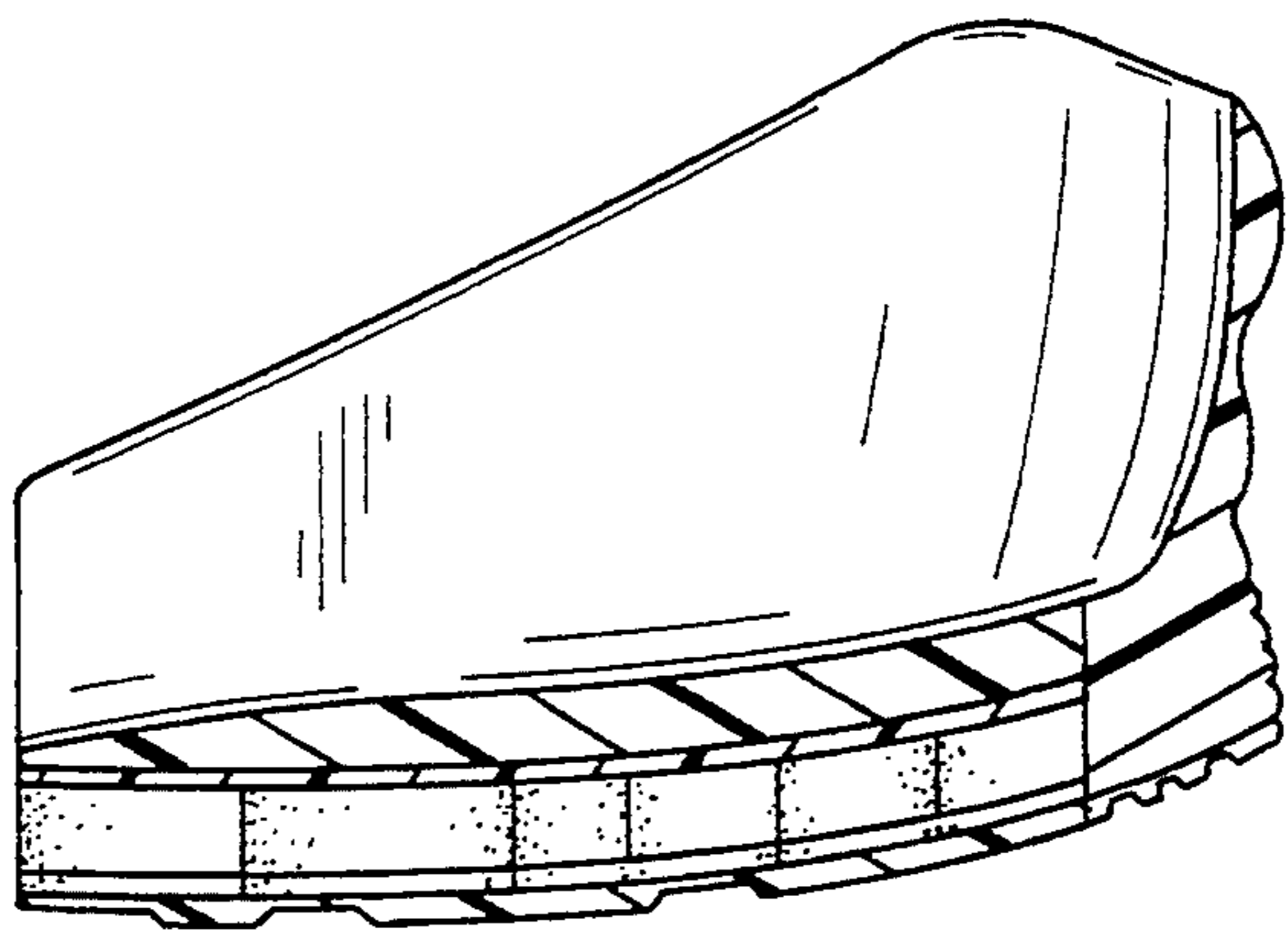
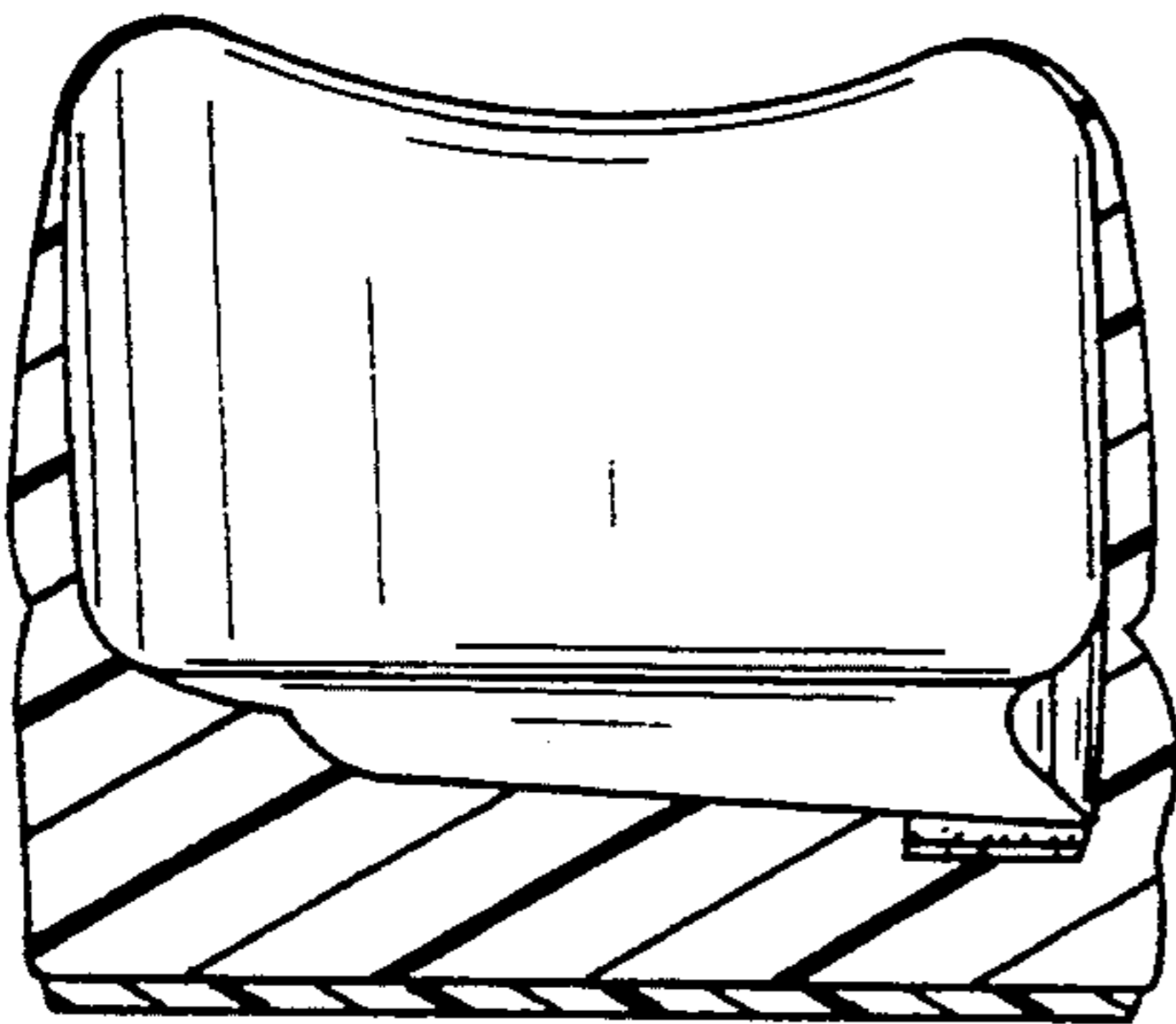


FIG. 6

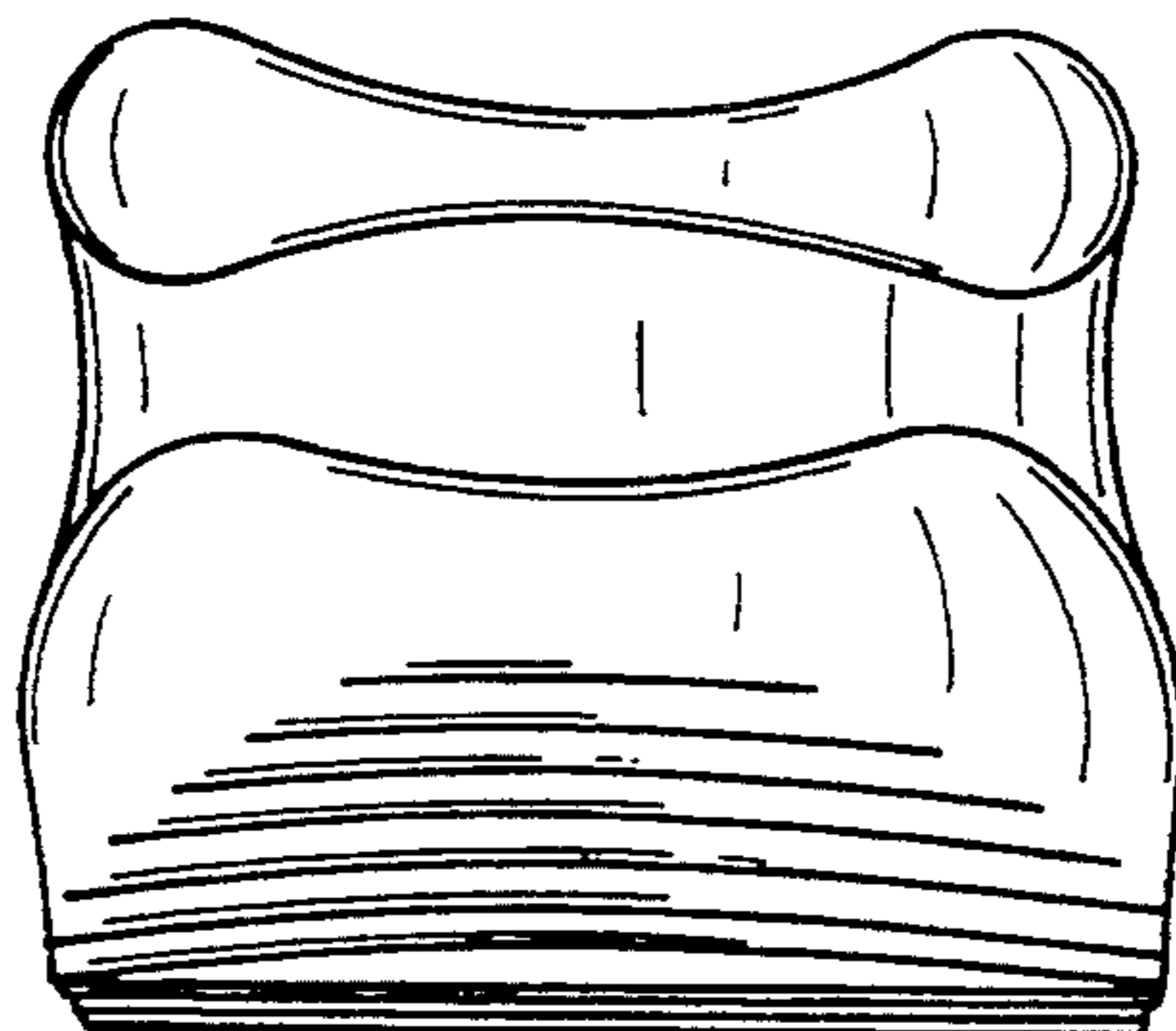


FIG. 7