



US00D354160S

United States Patent [19]
Shaffer

[11] **Patent Number: Des. 354,160**

[45] **Date of Patent: ** Jan. 10, 1995**

[54] **DISPOSABLE SWEAT BAND FOR A SAFETY HARD HAT LINER**

[76] **Inventor: Steven L. Shaffer, Box 228, Rte. 40, Carneys Point, N.J. 08069**

[**] **Term: 14 Years**

[21] **Appl. No.: 4,019**

[22] **Filed: Jan. 25, 1993**

[52] **U.S. Cl. D2/894**

[58] **Field of Search D2/865, 871, 873, 875, D2/894; 2/181, 2, DIG. 11, 181.2, 182.1, 182.2**

[56] **References Cited**

U.S. PATENT DOCUMENTS

| | | | | |
|------------|---------|--------|-------|----------|
| D. 309,523 | 7/1990 | Martin | | D2/894 X |
| D. 317,523 | 6/1991 | Smith | | D2/894 |
| 1,837,695 | 12/1931 | Werner | | D2/894 X |
| 2,483,101 | 9/1949 | Nelms | | 2/181 |
| 5,058,210 | 10/1991 | Tiuis | | 2/181 |
| 5,088,126 | 2/1992 | Mathis | | 2/181 |
| 5,265,279 | 11/1993 | Mathis | | 2/181 |

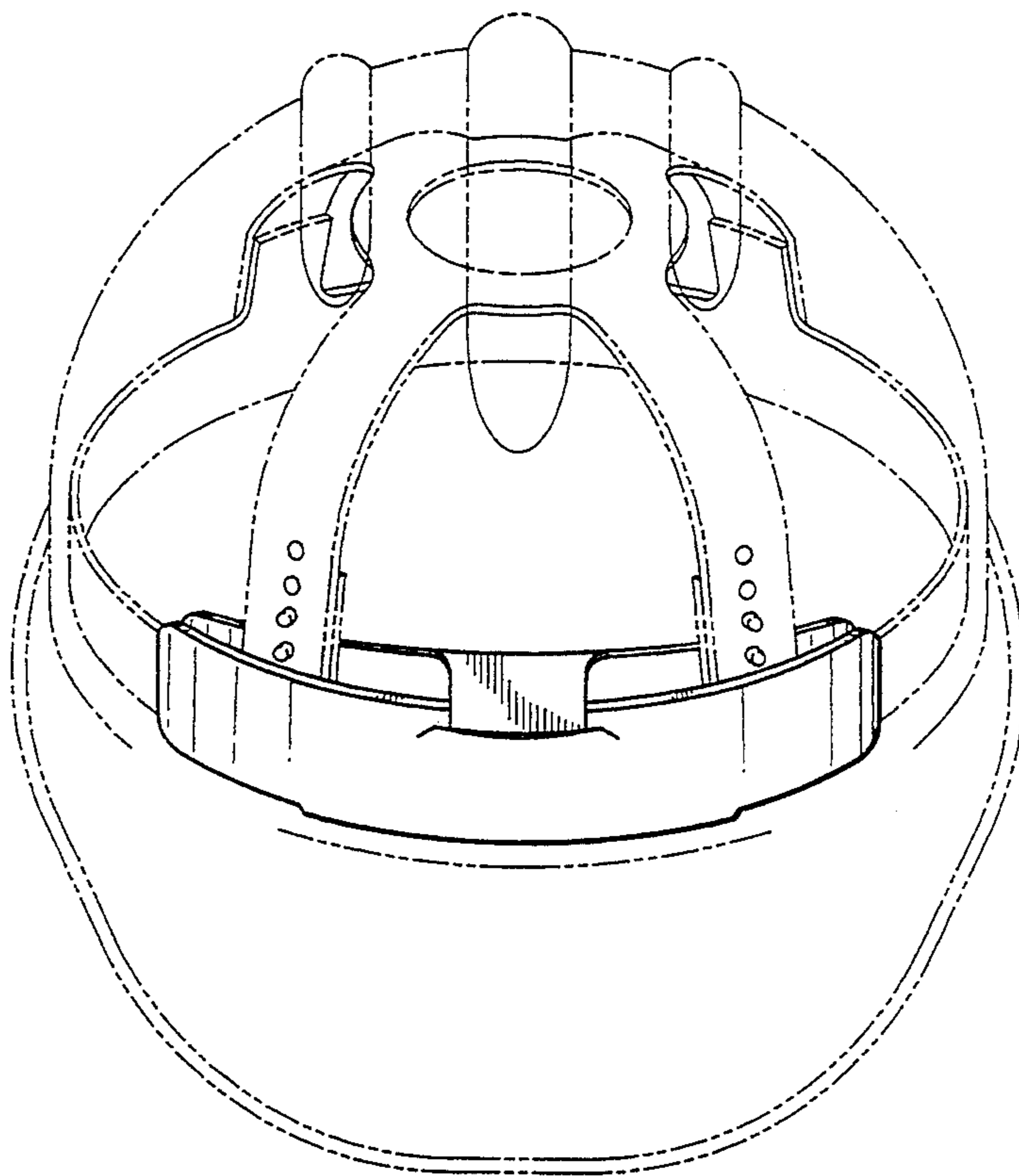
Primary Examiner—Bernard Ansher
Assistant Examiner—Paula Mortimer
Attorney, Agent, or Firm—Rhodes & Ascolillo

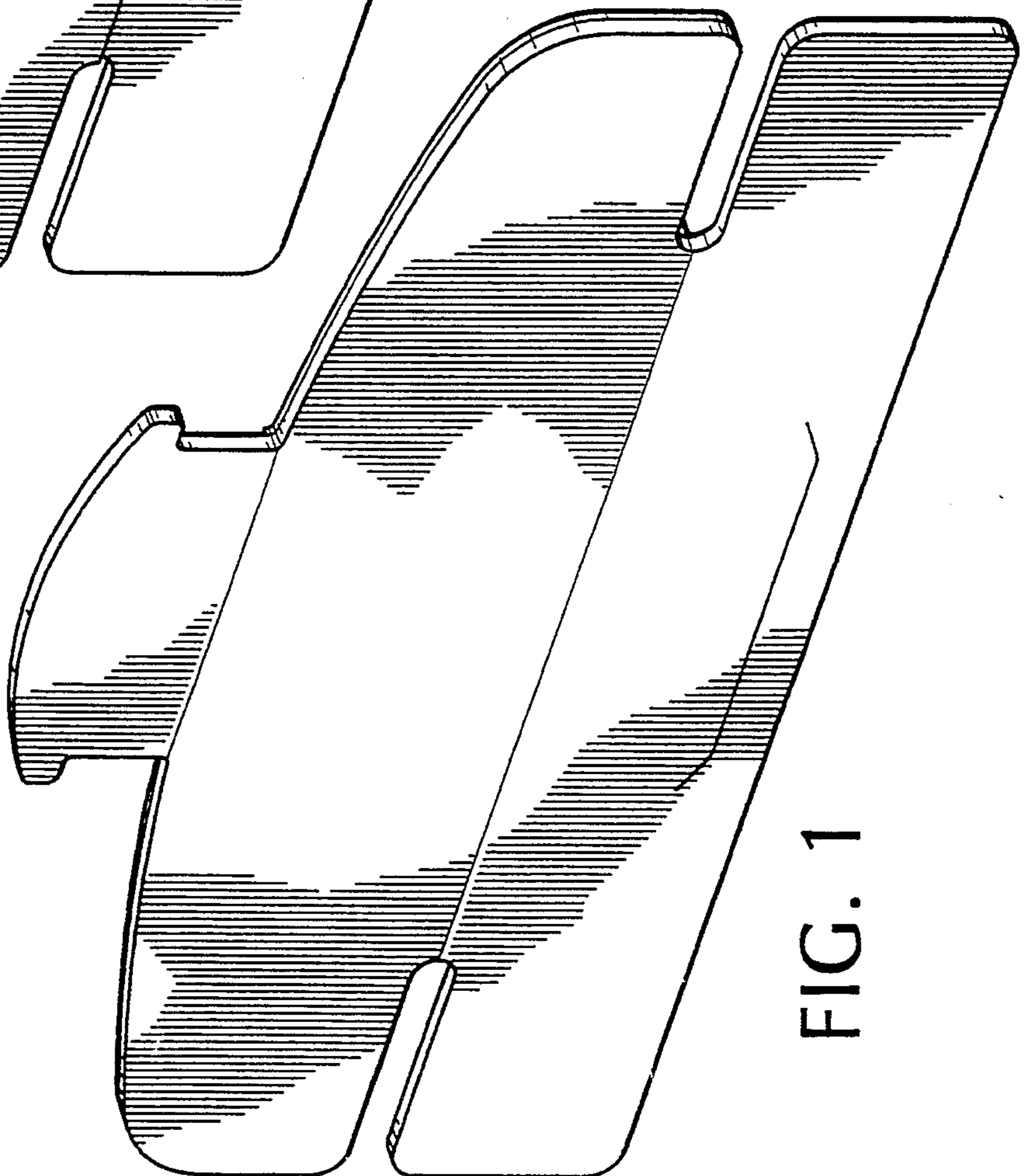
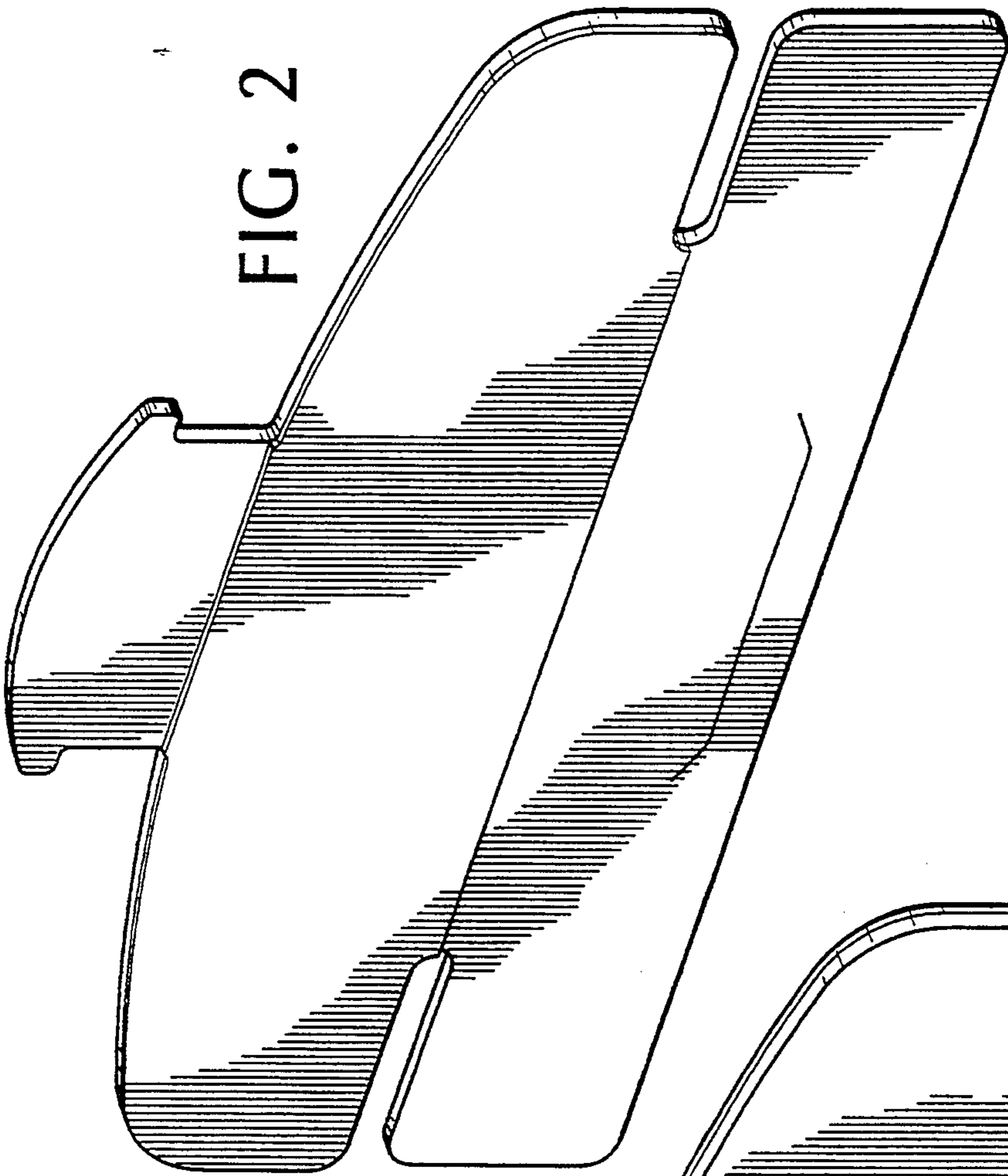
[57] **CLAIM**

The ornamental design for a disposable sweat band for a safety hard hat liner, as shown and described.

DESCRIPTION

FIG. 1 is a perspective front view of a disposable sweat band for a safety hard hat liner showing my new design; FIG. 2 is a perspective rear view of the disposable sweat band for a safety hard hat liner; FIG. 3 is a rear elevational view of a disposable sweat band for a safety hard hat liner; FIG. 4 is a front elevational view of a disposable sweat band for a safety hard hat liner; FIG. 5 is a bottom view of the disposable sweat band for a safety hard hat liner; FIG. 6 is a top plan view of a disposable sweat band for a safety hard hat liner; FIG. 7 is a left side view of the disposable sweat band for a safety hard hat liner; FIG. 8 is a right side view of the disposable sweat band for a safety hard hat liner; FIG. 9 is a perspective view of the disposable sweat band for a safety hard hat liner showing the design of the disposable sweat band before it is attached to the safety hard hat liner; and, FIG. 10 is a perspective view of the disposable sweat band for a safety hard hat liner showing the design of the disposable sweat band installed on a safety hard hat liner. The safety hard hat liner are shown in broken lines and are for illustrative purposes only and are not part of my design.





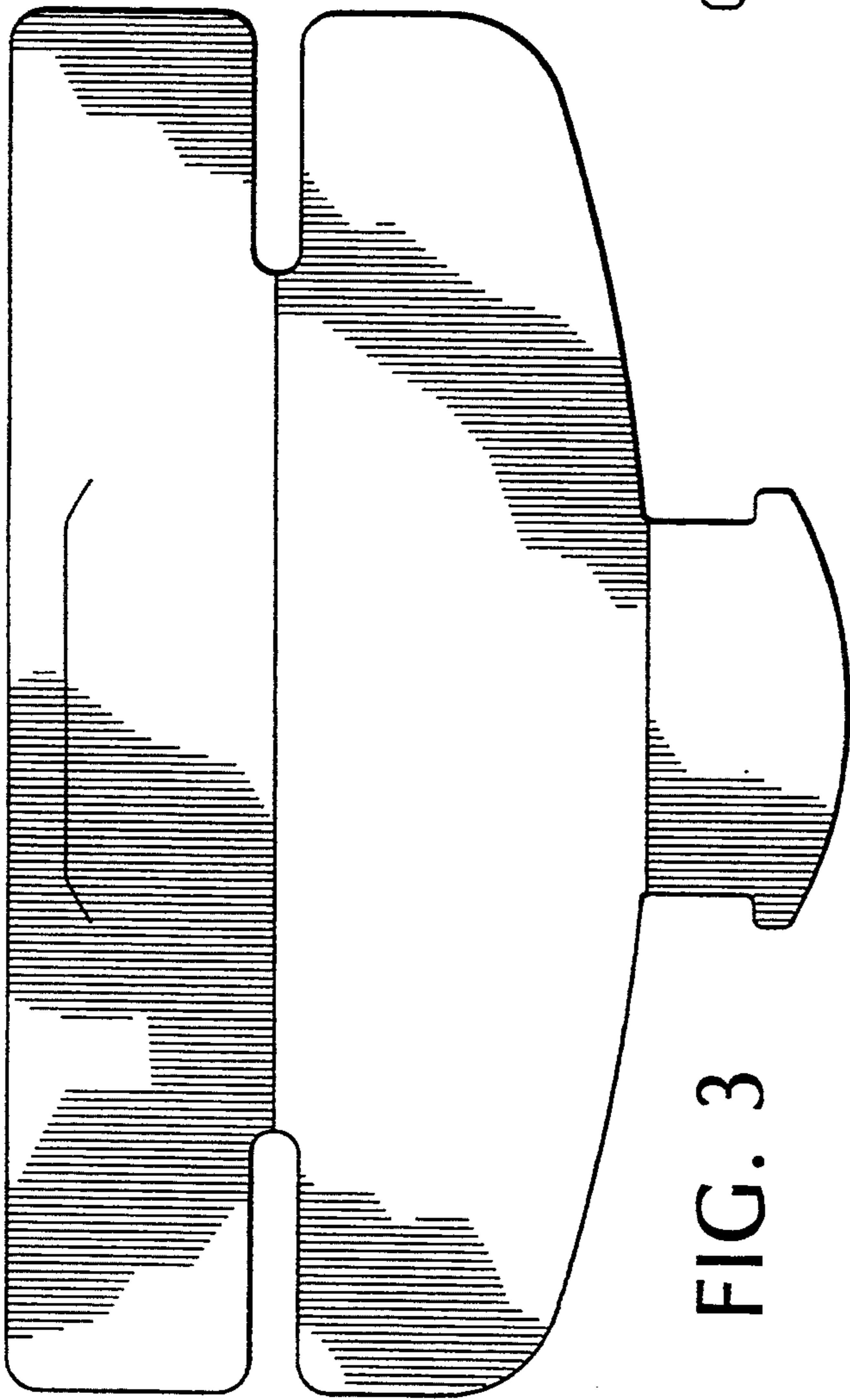


FIG. 3

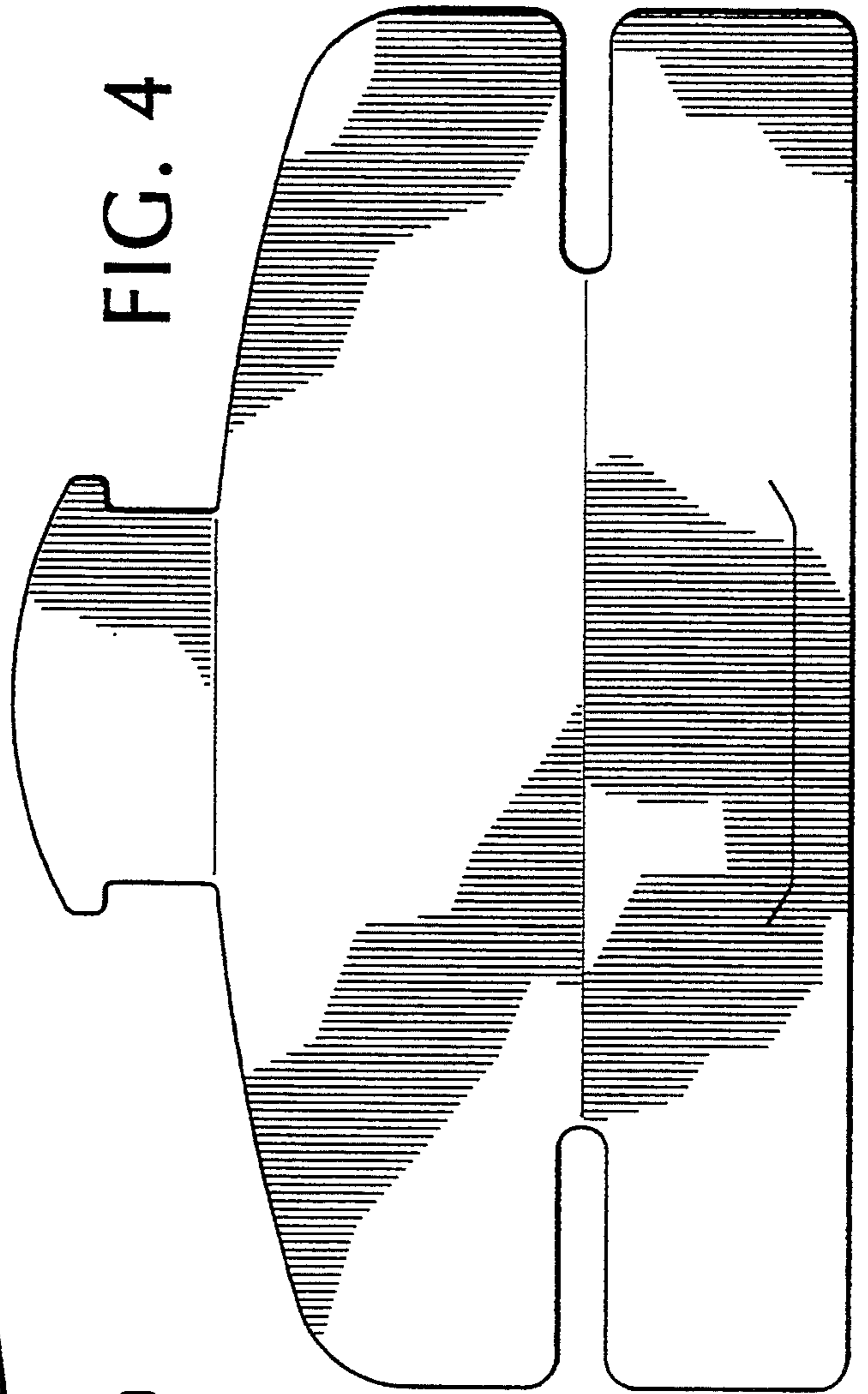


FIG. 4



FIG. 5



FIG. 6



FIG. 7



FIG. 8

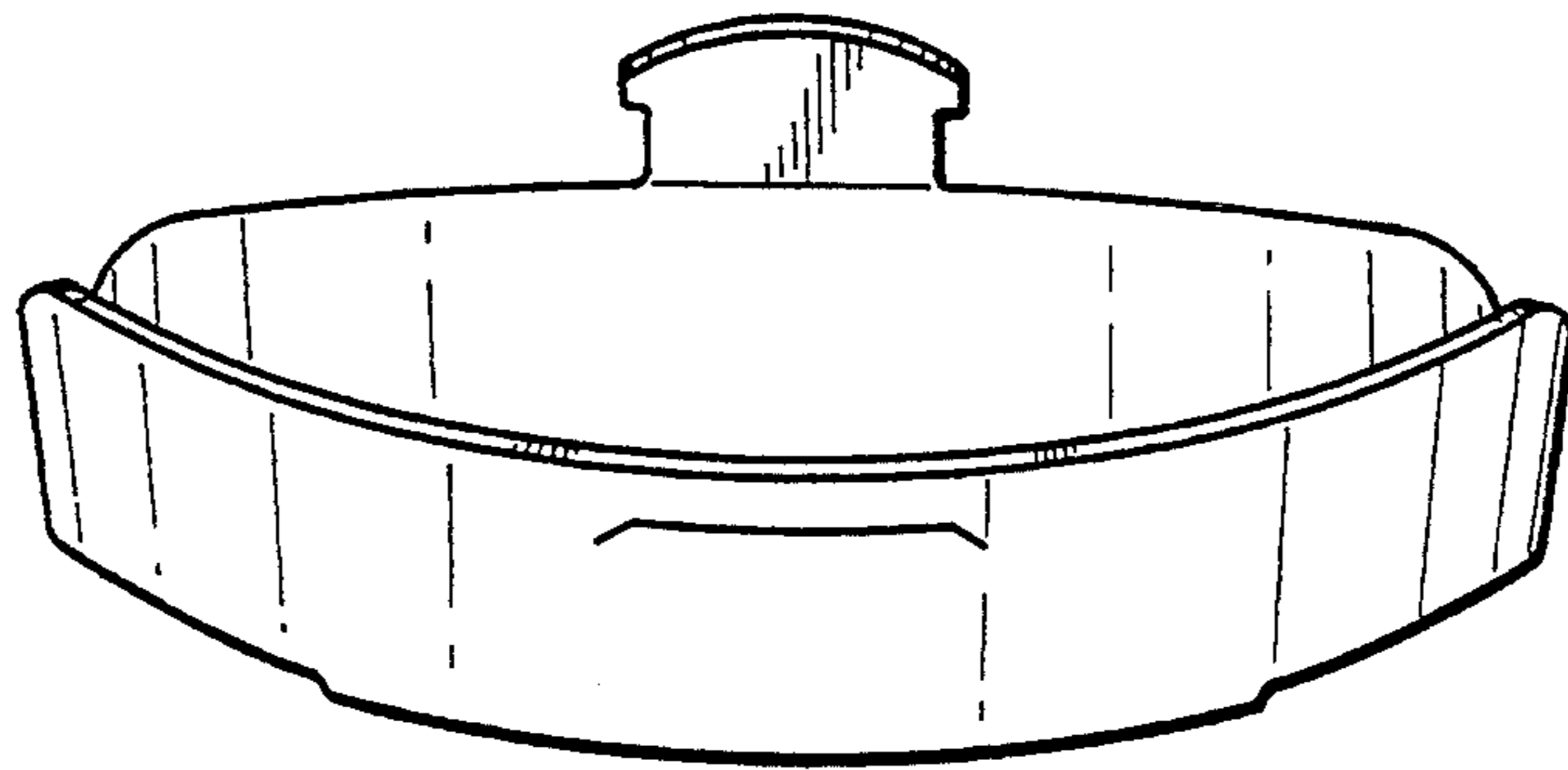


FIG. 9

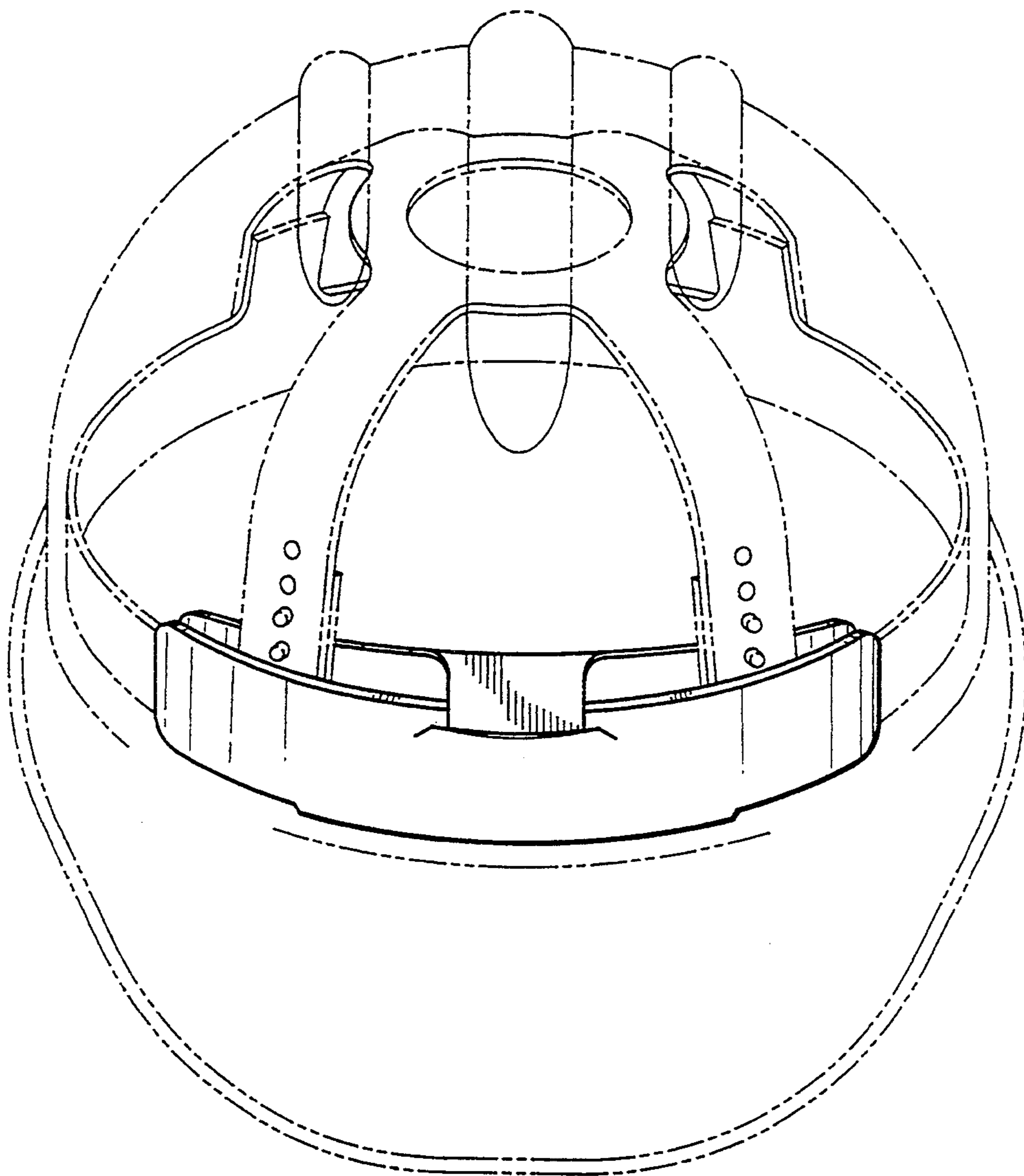


FIG. 10