



US00D354150S

United States Patent [19]

Porter

[11] Patent Number: Des. 354,150

[45] Date of Patent: ** Jan. 3, 1995

[54] LIGHTING FIXTURE ROOF

[75] Inventor: David H. Porter, Chagrin Falls, Ohio

[73] Assignee: The L. D. Kichler Co., Cleveland, Ohio

[**] Term: 14 Years

[21] Appl. No.: 20,247

[22] Filed: Mar. 22, 1994

[52] U.S. Cl. D26/113; D26/87

[58] Field of Search D26/67-71, D26/72, 80-92, 113; 362/145, 147, 362, 367, 431, 432

[56] References Cited

U.S. PATENT DOCUMENTS

D. 313,868	1/1991	Shyu	D26/87
D. 314,834	2/1991	Rottner	D26/87
D. 316,912	5/1991	Choi	D26/87
1,569,379	1/1926	Larkin	362/367

OTHER PUBLICATIONS

Hadco catalog, exhibit 1, (more than 1 yr before Mar. 2, 1994).

Seagull catalog, p. 31, (more than 1 yr before Mar. 2, 1994).

Hinkley Lighting catalog, exhibit 1, (more than 1 yr before Mar. 2, 1994).

Progress Lighting catalog, p. 146, (more than 1 yr before Mar. 2, 1994).

Thomas/Starlight catalog, p. 82, (more than 1 yr before Mar. 2, 1994).

Fonderal (Italian Company) catalog, exhibit 1, (more than 1 yr. before Mar. 2, 1994).

Interglobal catalog, exhibit 1, (more than 1 yr before Mar. 2, 1994).

Primary Examiner—Susan J. Lucas
Attorney, Agent, or Firm—Watts, Hoffmann, Fisher & Heinke

[57] CLAIM

The ornamental design for a lighting fixture roof, as shown and described.

DESCRIPTION

FIG. 1 is a perspective view of a lighting fixture roof showing my new design;

FIG. 2 is a front elevational view thereof, the rear elevational view being identical;

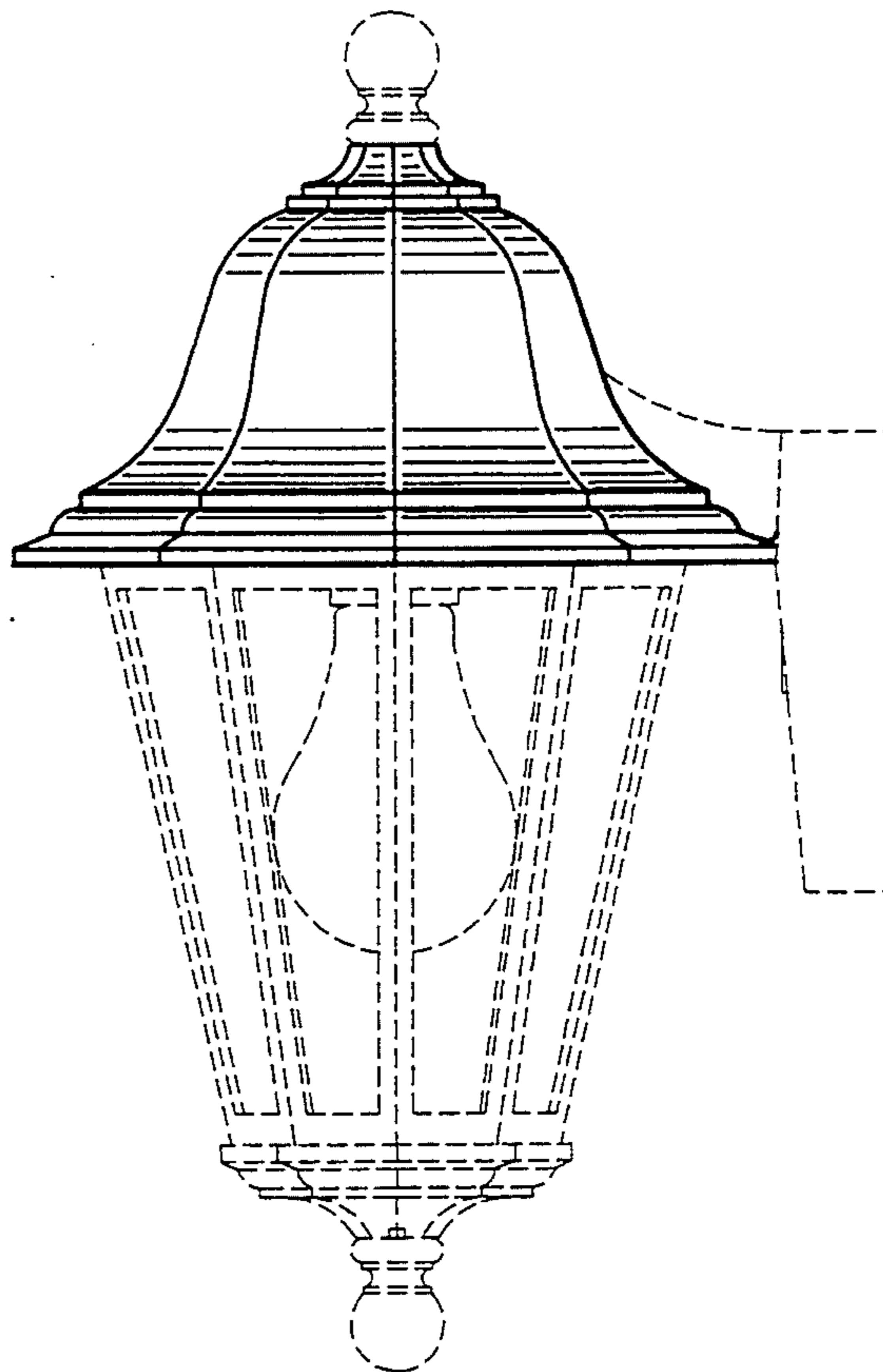
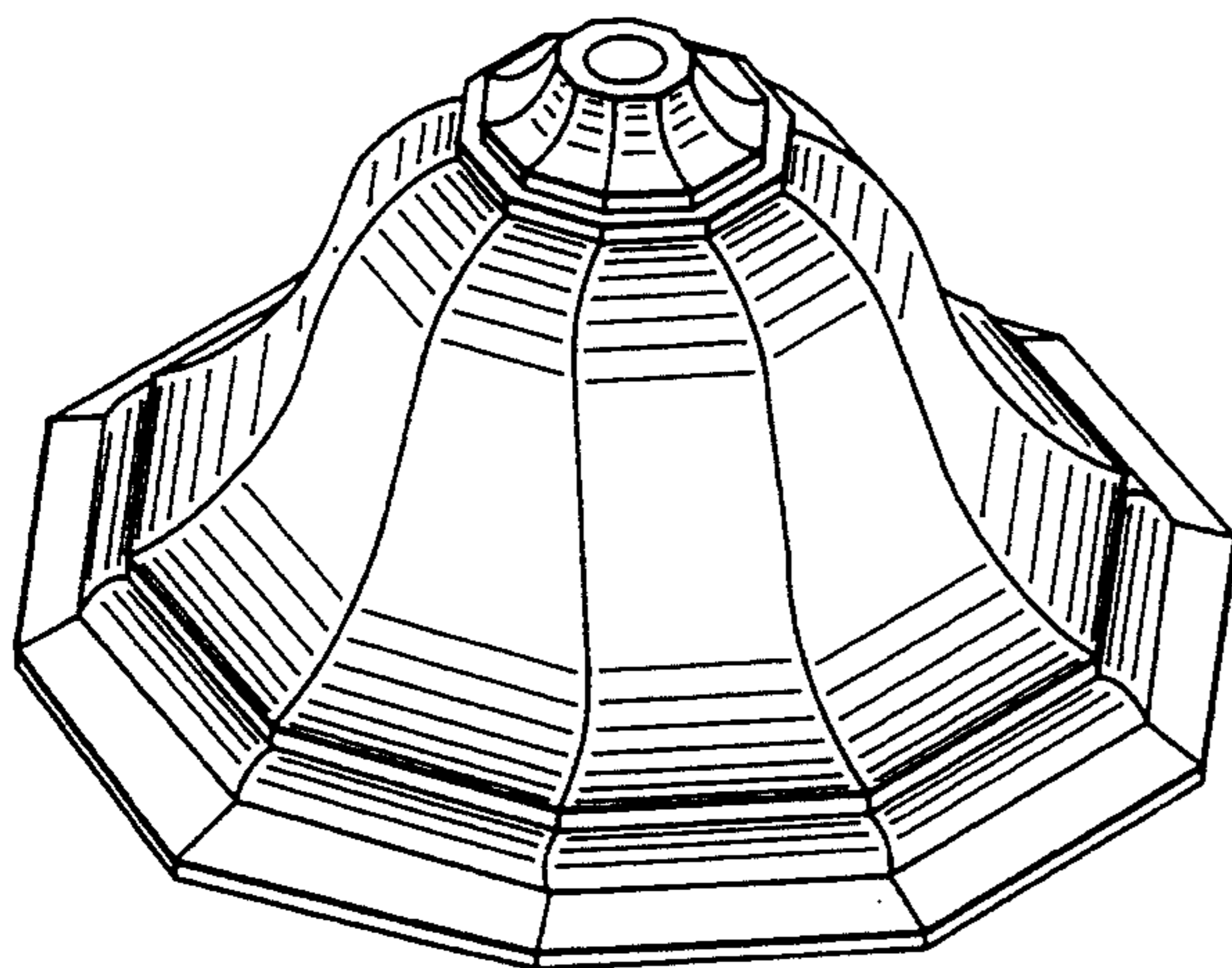
FIG. 3 is a right side elevational view thereof; the left side elevational view being identical;

FIG. 4 is a top plan view thereof;

FIG. 5 is a bottom plan view thereof; and,

FIG. 6 is a right side elevational view thereof showing, in addition, lighting fixture parts and a mounting bracket in broken lines.

The broken lines are shown for illustrative purposes only and form no part of the claimed design.



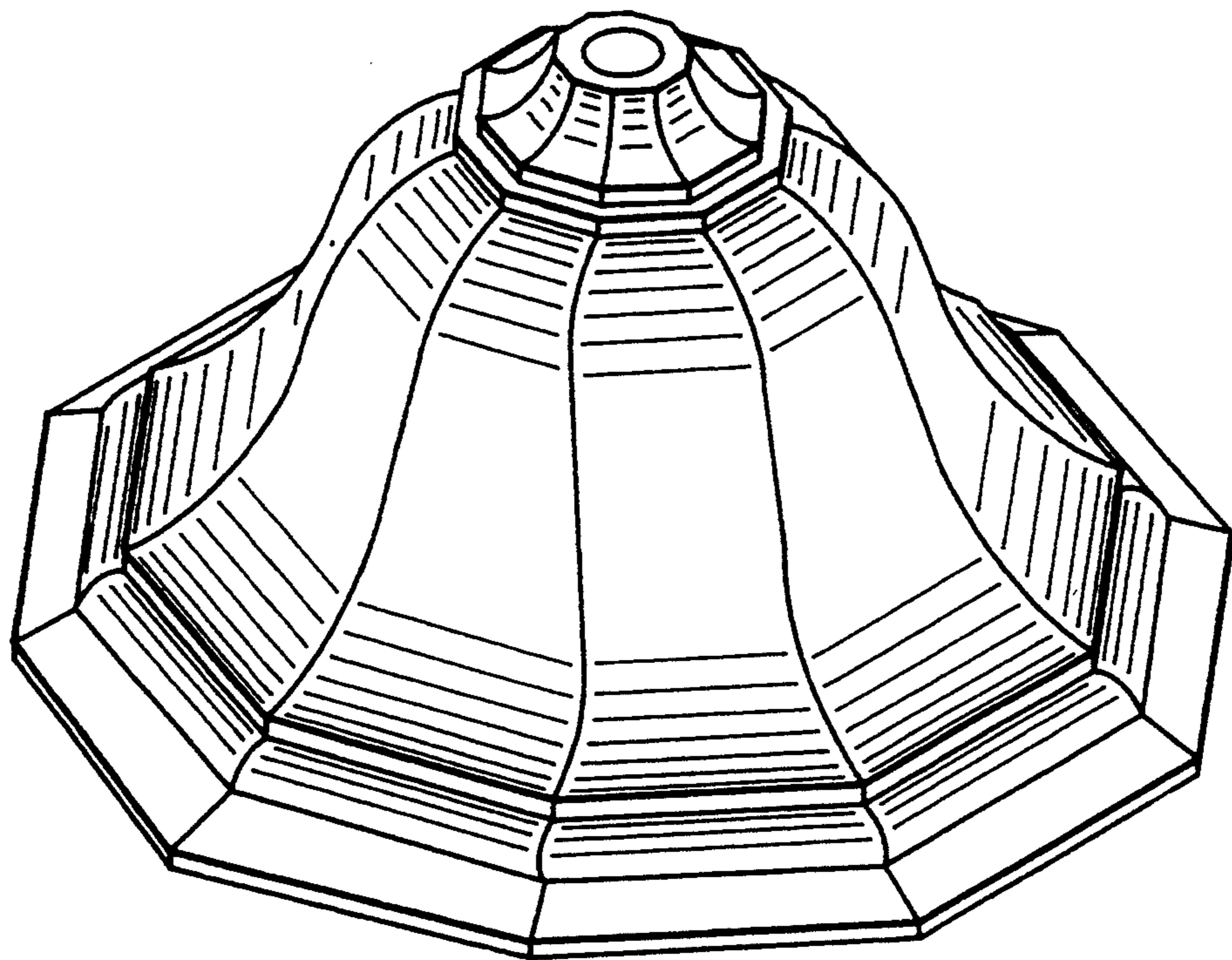


Fig. 1

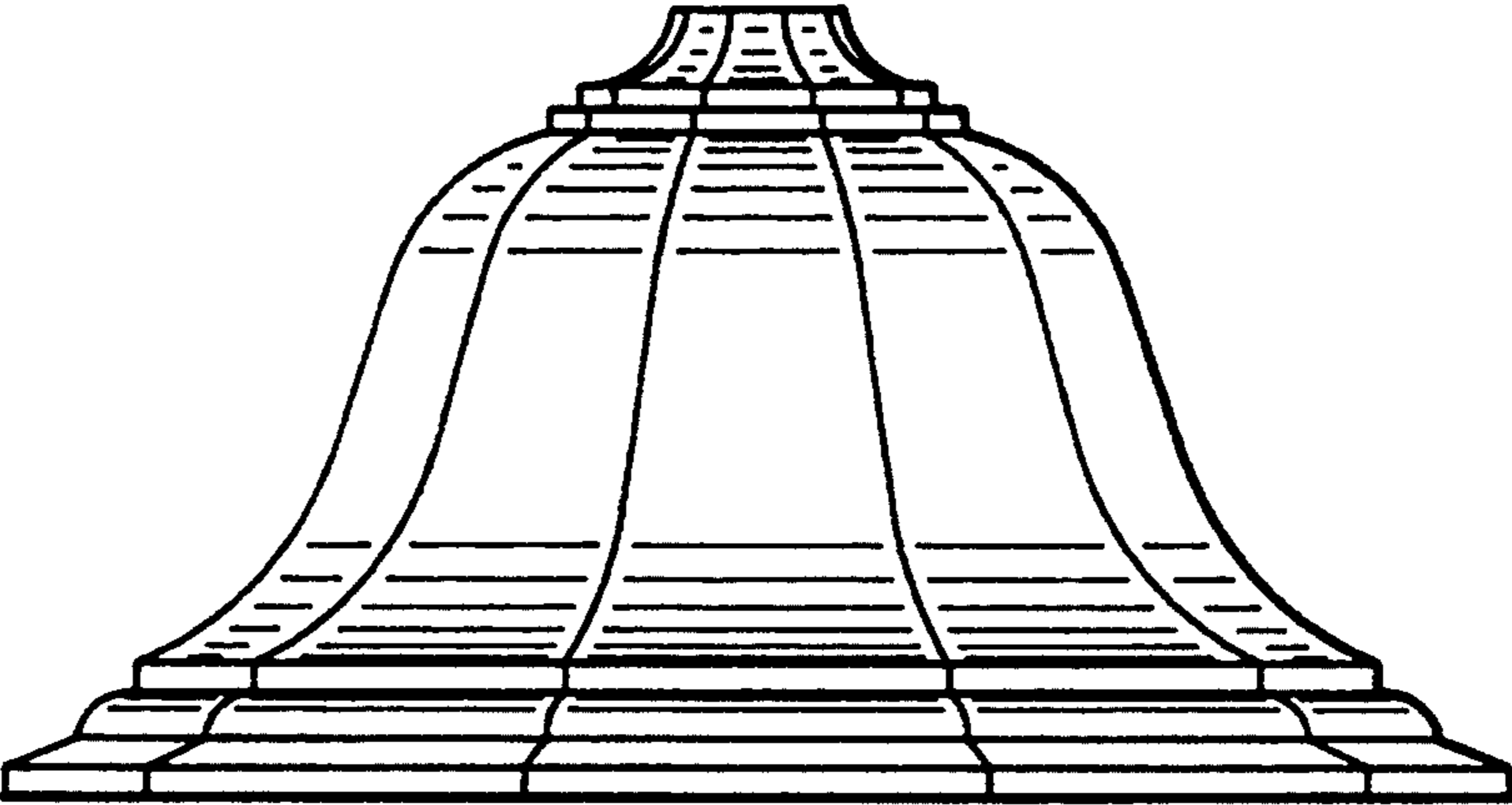


Fig. 2

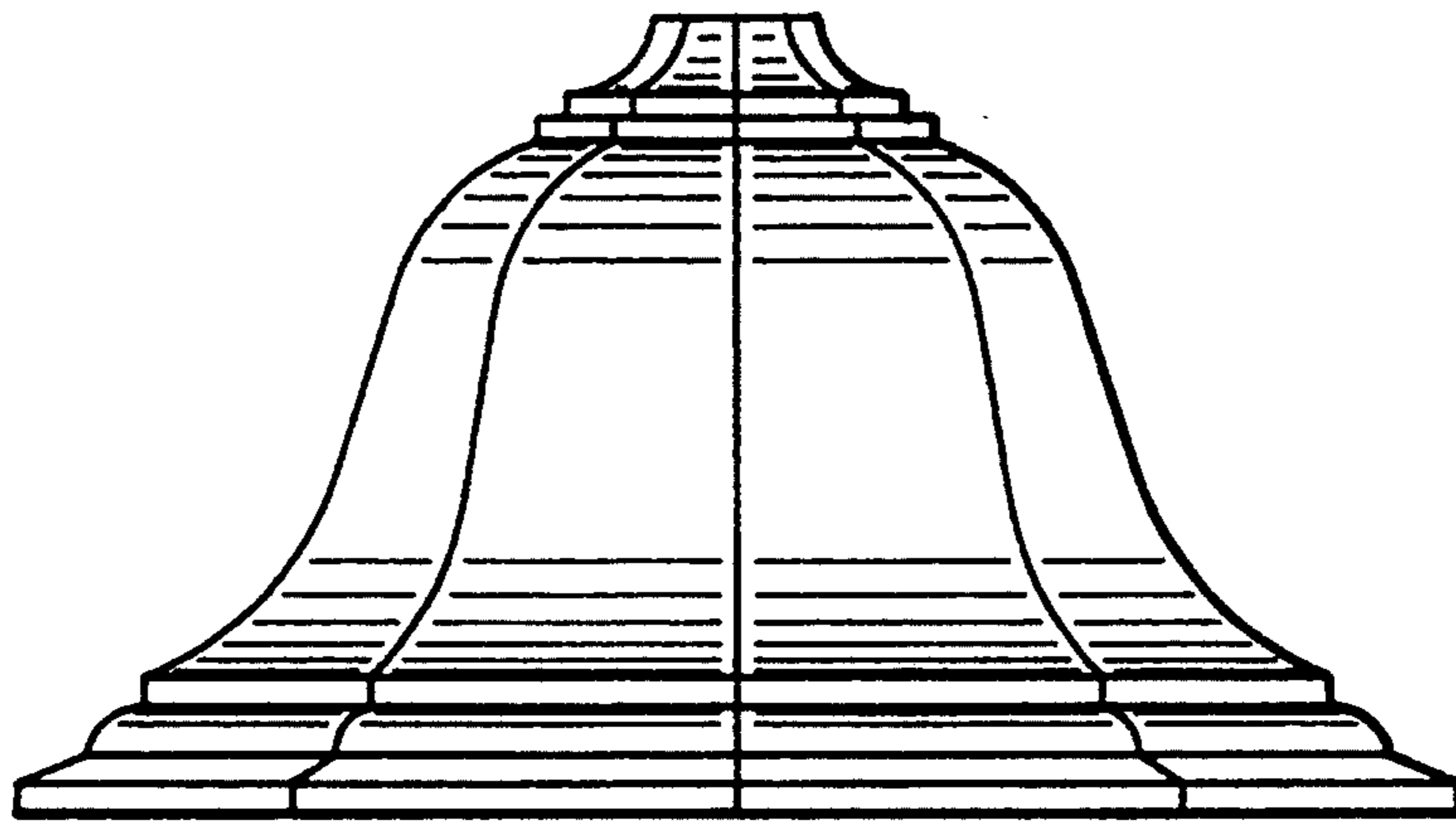


Fig. 3

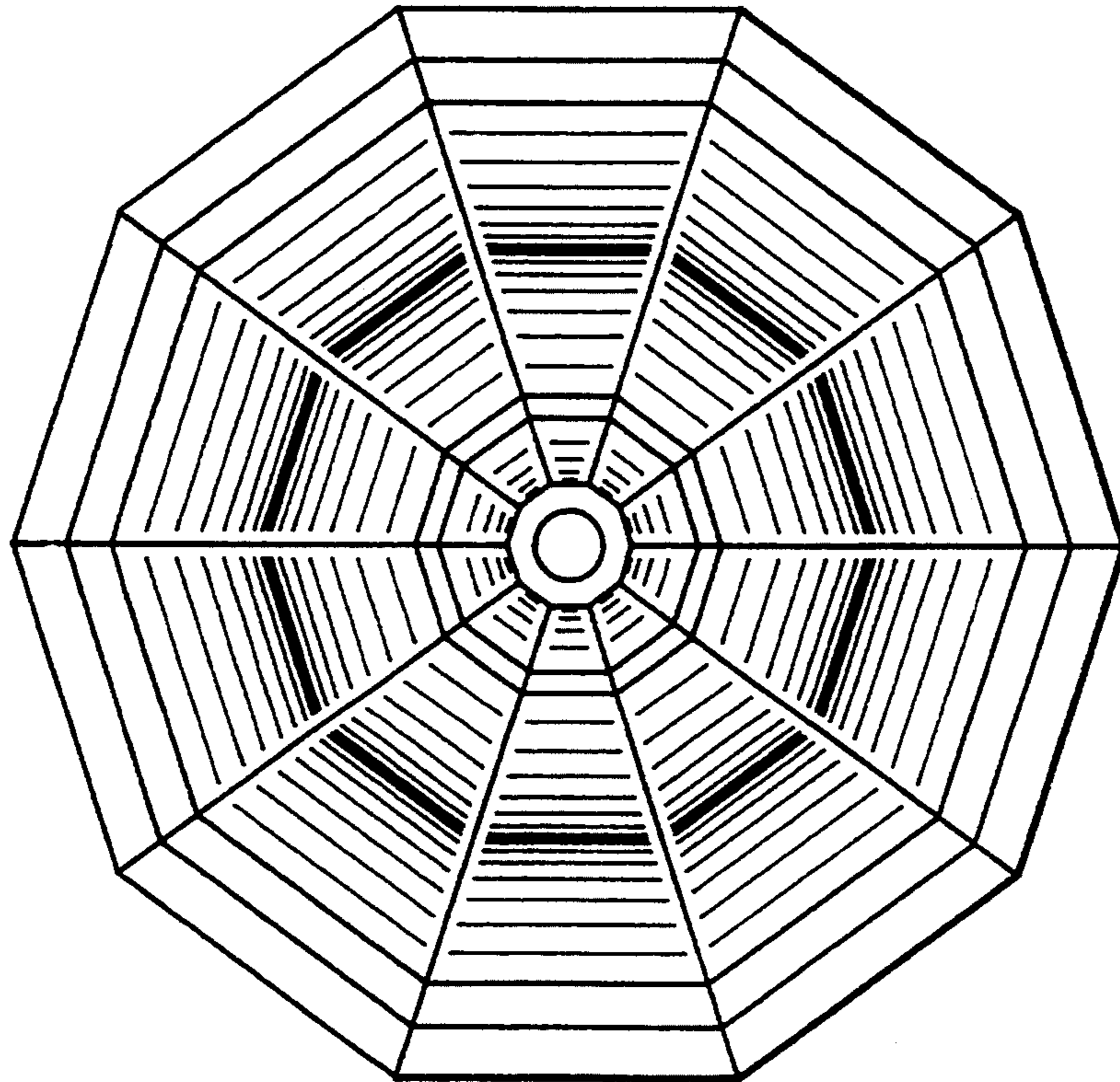


Fig. 4

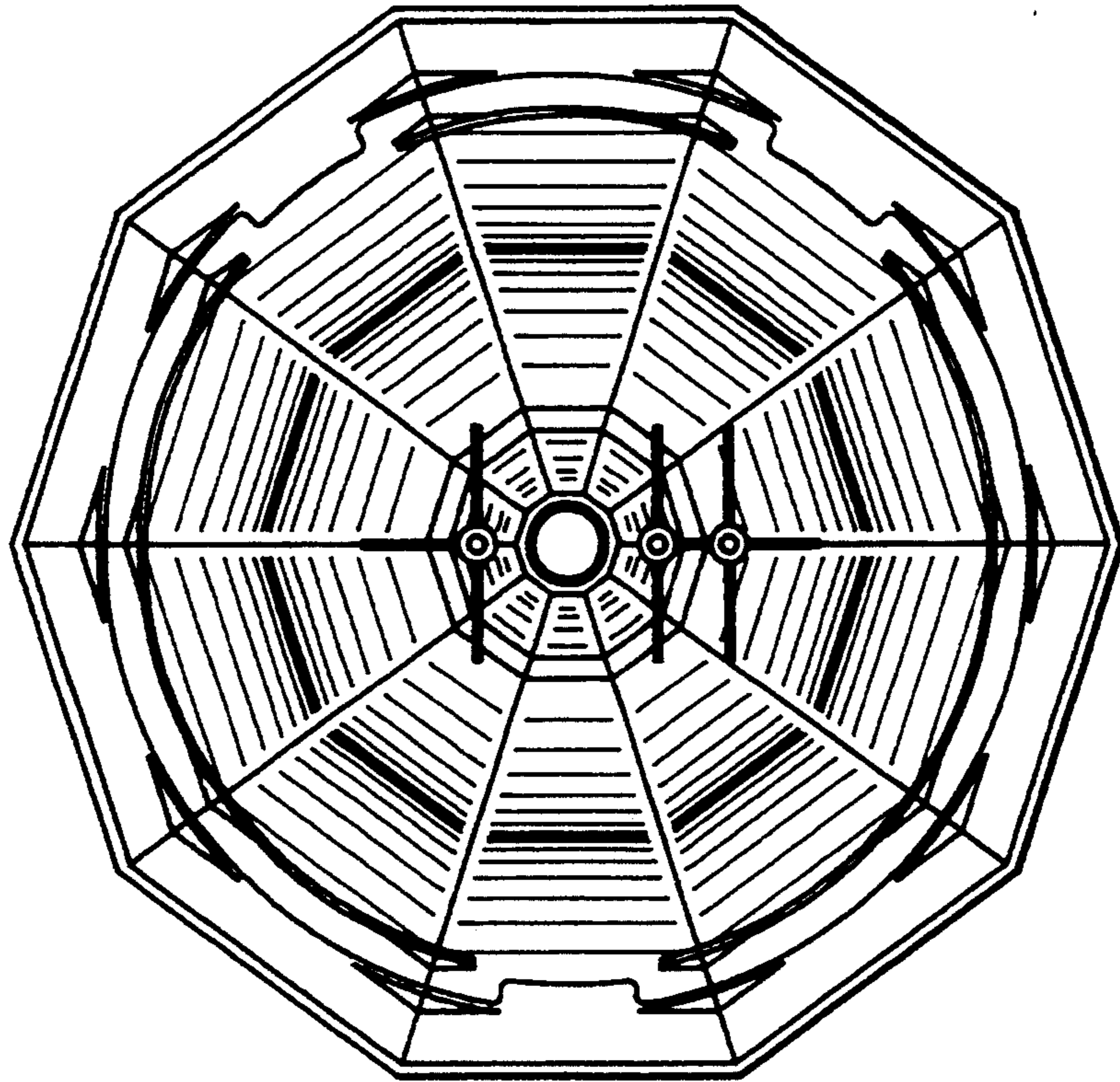


Fig. 5

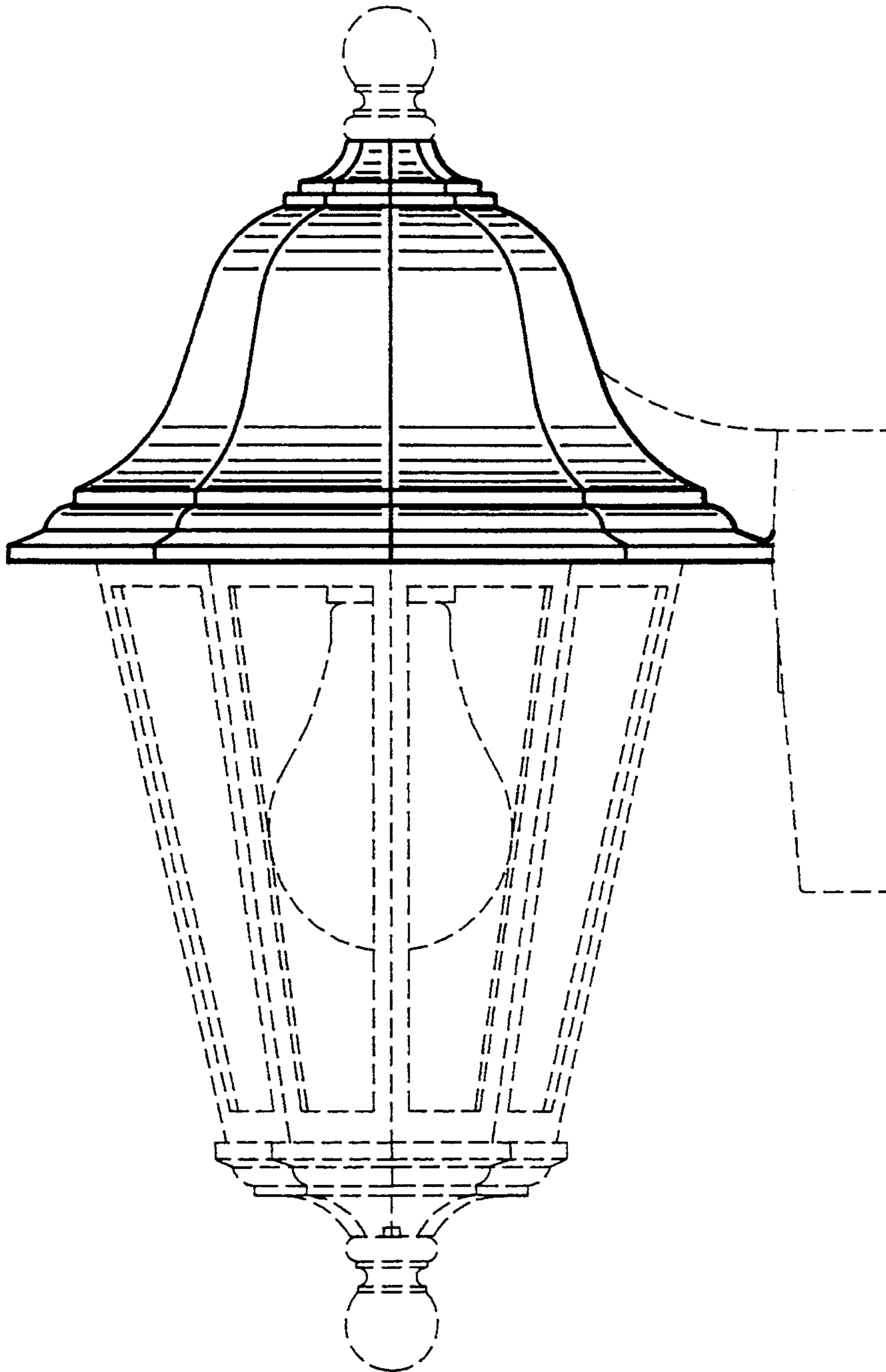


Fig. 6