



US00D354148S

# United States Patent [19]

[11] Patent Number: **Des. 354,148**

Roos

[45] Date of Patent: **\*\* Jan. 3, 1995**

## [54] ADJUSTABLE TRACK LIGHTING FIXTURE WITH ADJUSTABLE LAMP RING

[75] Inventor: **Scott L. Roos**, Glenview, Ill.

[73] Assignee: **Juno Lighting, Inc.**, Des Plaines, Ill.

[\*\*] Term: **14 Years**

[21] Appl. No.: **12,493**

[22] Filed: **Sep. 2, 1993**

[52] U.S. Cl. .... **D26/63**

[58] Field of Search ..... **D26/60, 61, 63, 65, D26/138, 140; 362/147, 269, 271, 275, 418, 419, 427**

### [56] References Cited

#### U.S. PATENT DOCUMENTS

D. 287,413	12/1986	Kusmer et al. ....	D26/65
D. 326,162	5/1992	Price .....	D26/63
D. 327,548	6/1992	Werely .....	D26/63 X
4,814,955	3/1989	Price .....	362/419 X
4,931,917	6/1990	Scherf et al. ....	362/419

Primary Examiner—Susan J. Lucas

Attorney, Agent, or Firm—Anthony S. Zummer

## [57] CLAIM

The ornamental design of the adjustable track lighting fixture with adjustable lamp ring, as shown and described.

## DESCRIPTION

FIG. 1 is a top plan view of an adjustable track lighting fixture with an adjustable lamp ring showing my new design, the lamp and support being shown in broken lines for illustrative purposes only;

FIG. 2 is a bottom elevational view of the adjustable track lighting fixture with adjustable lamp ring shown in FIG. 1;

FIG. 3 is a front elevational view of the adjustable track lighting fixture with adjustable lamp ring shown in FIG. 1;

FIG. 4 is a rear elevational view of the adjustable track lighting fixture with adjustable lamp ring shown in FIG. 1;

FIG. 5 is a left elevational view of the adjustable track lighting fixture with adjustable lamp ring shown in FIG. 1; and,

FIG. 6 is a right elevational view of the adjustable track lighting fixture with adjustable lamp ring shown in FIG. 1.

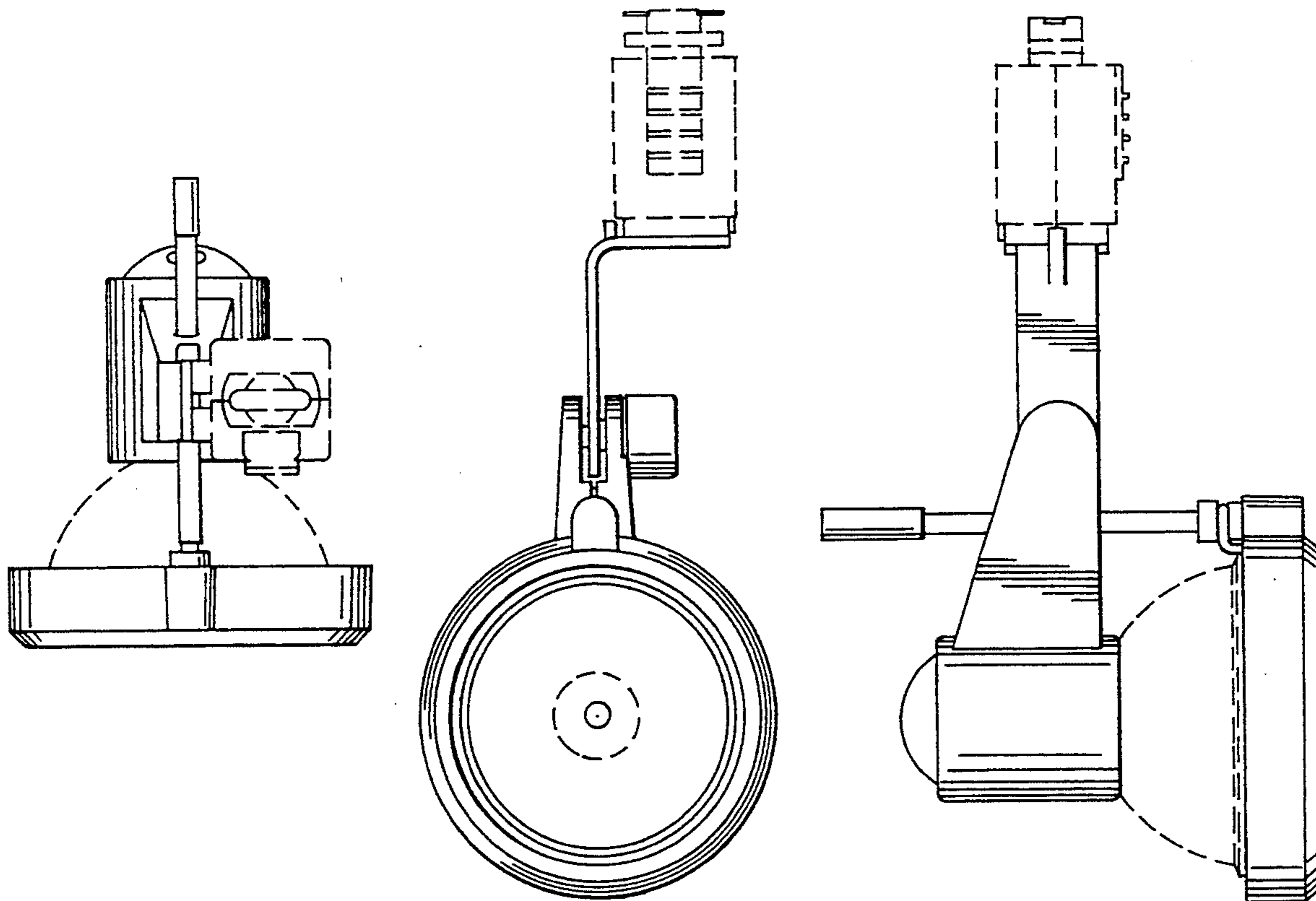


FIG. 1

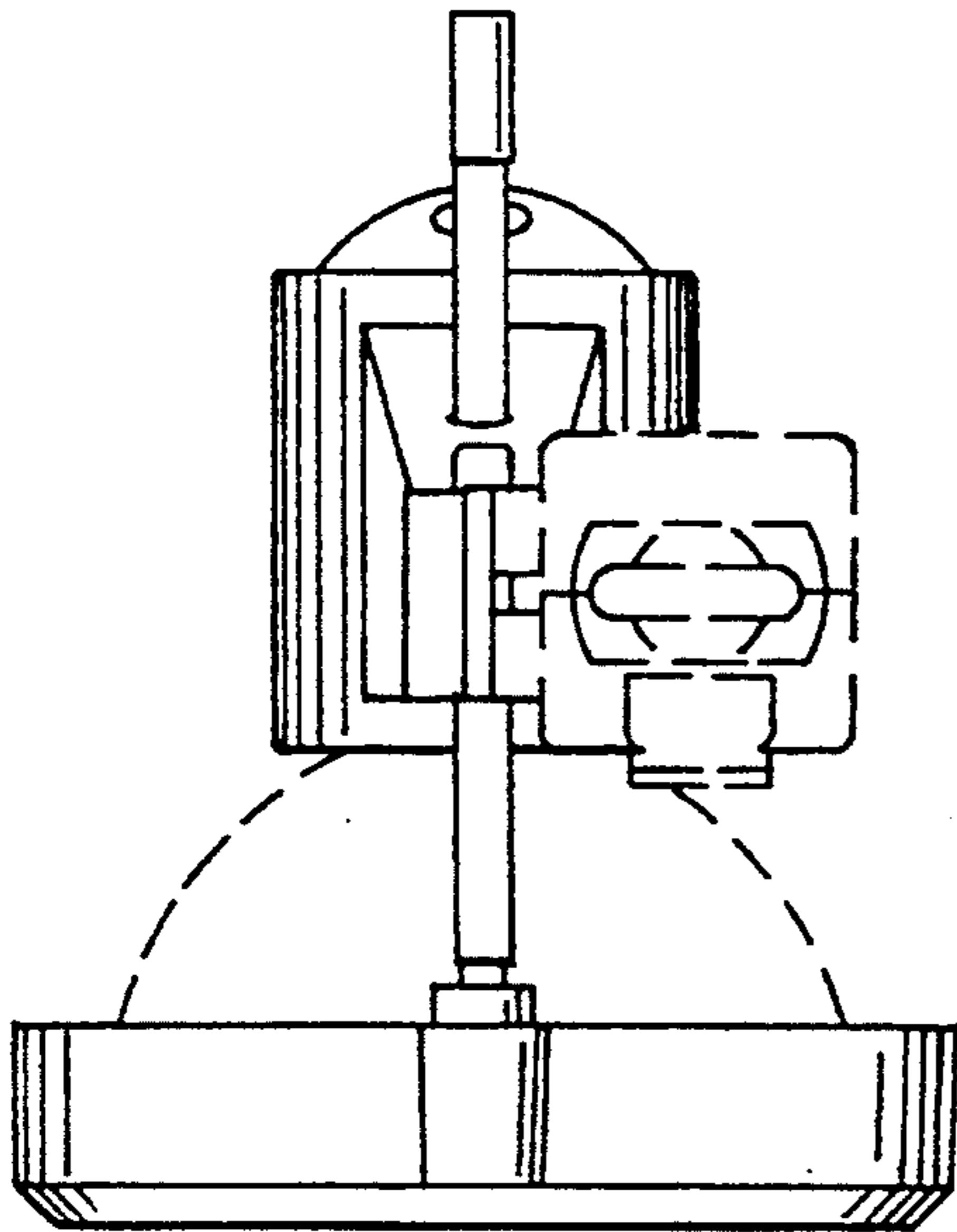


FIG. 2

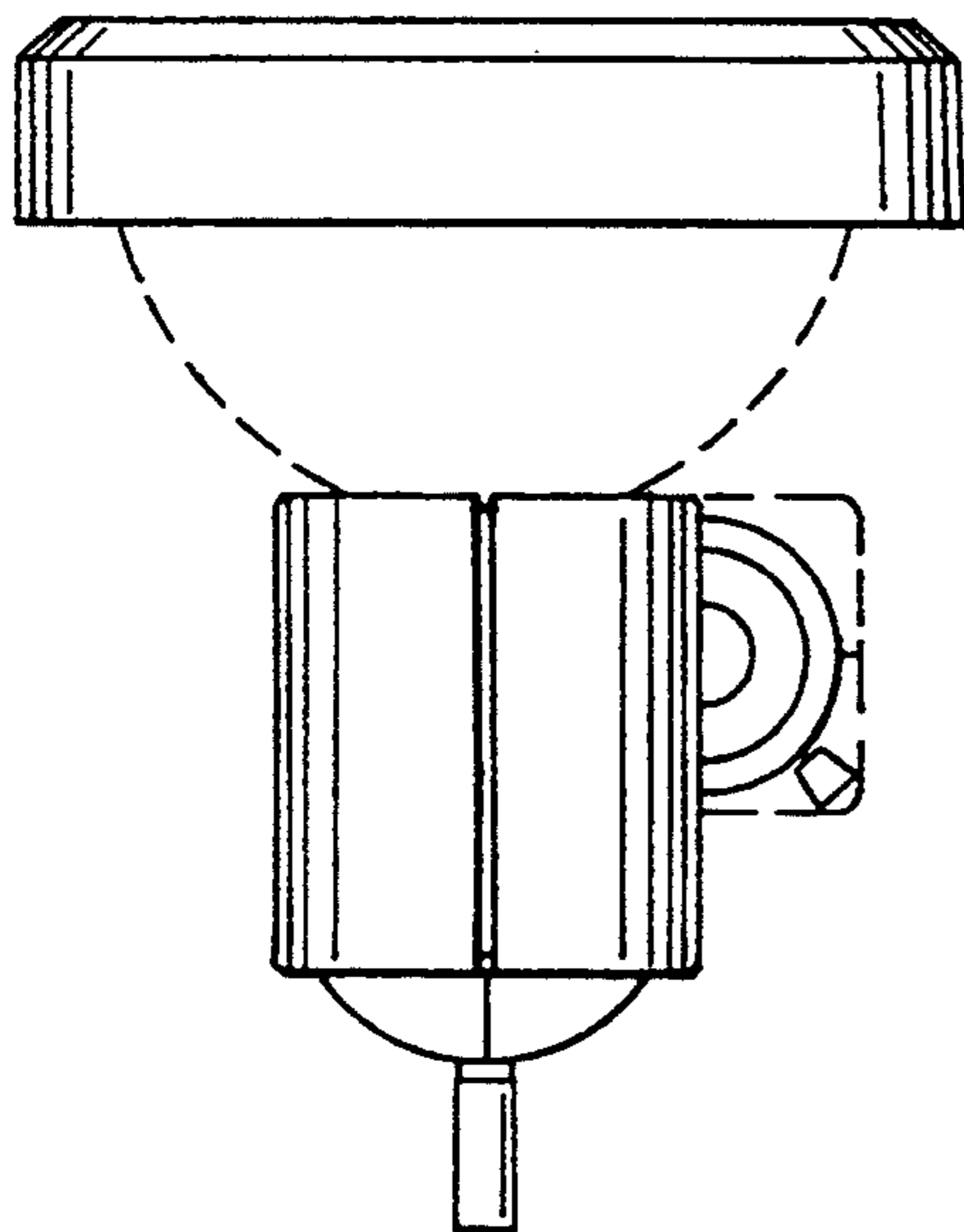


FIG. 3

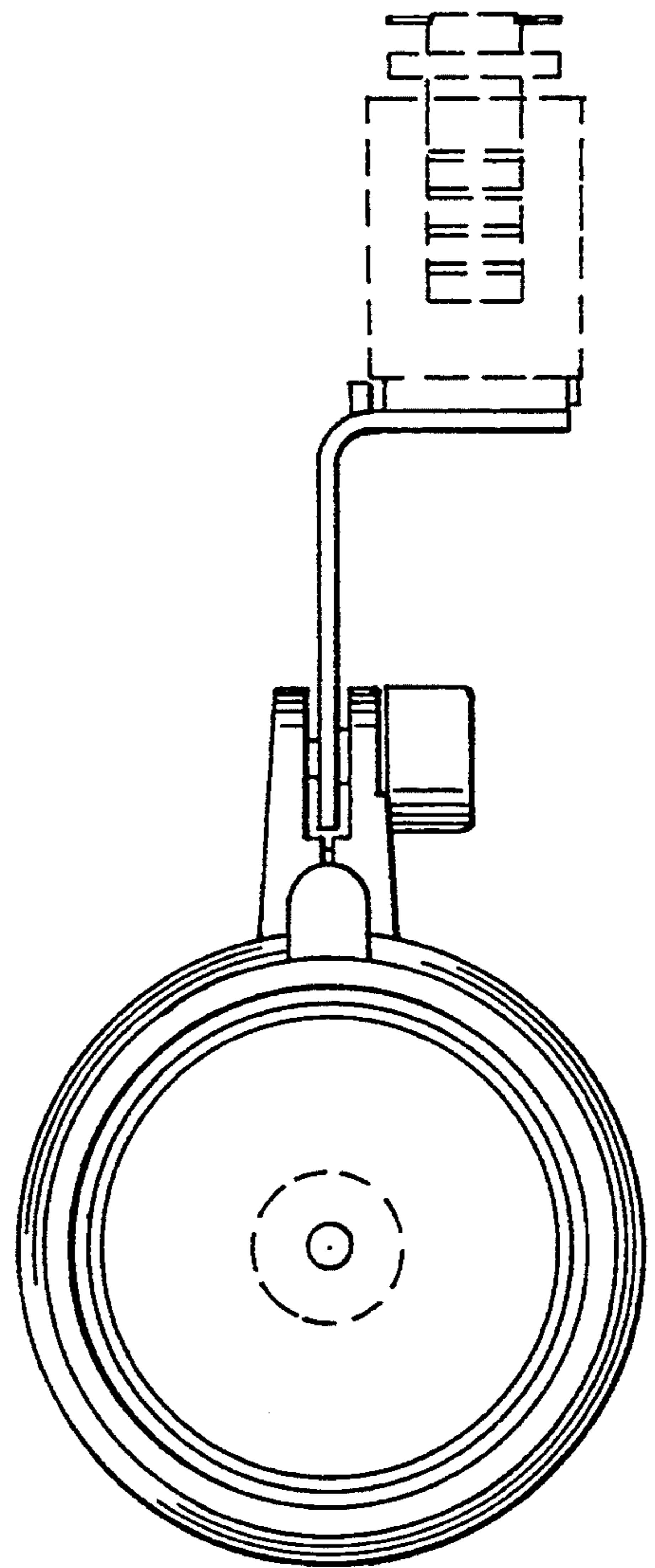


FIG.4

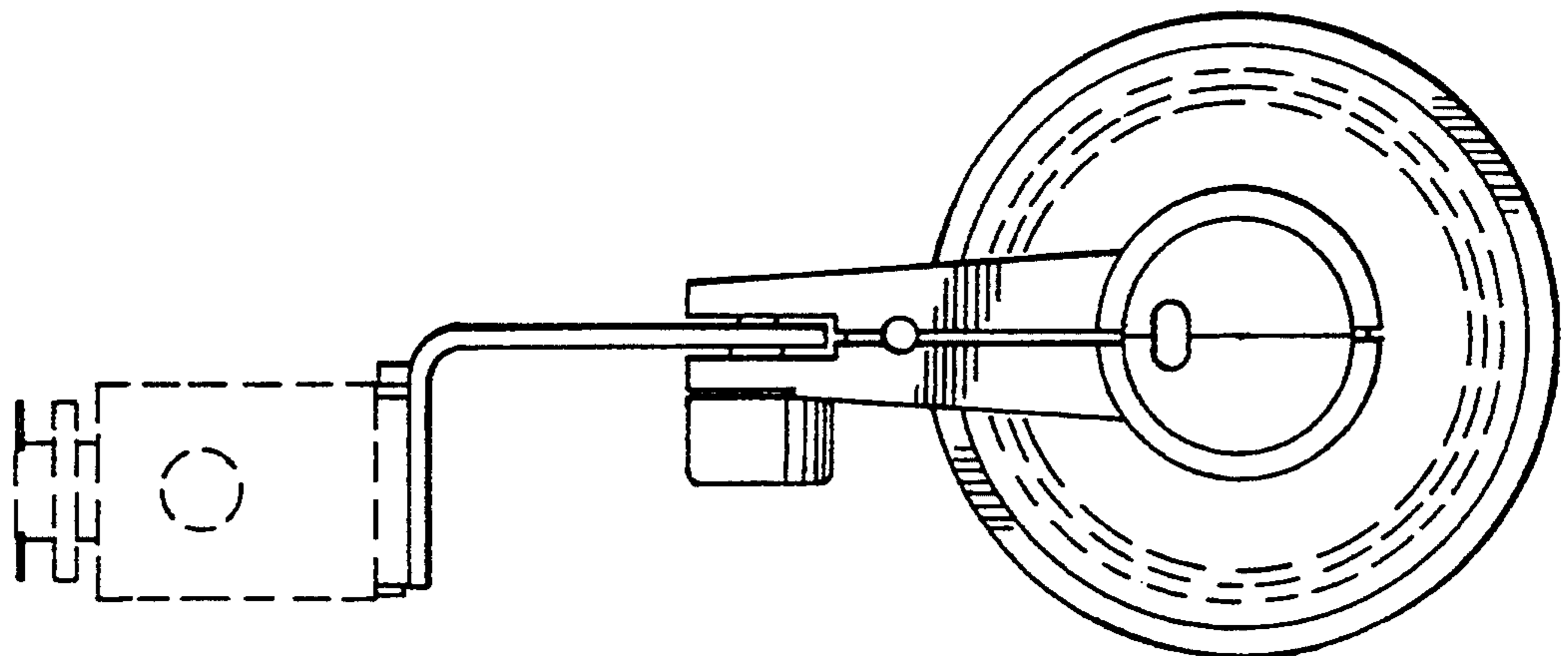


FIG.5

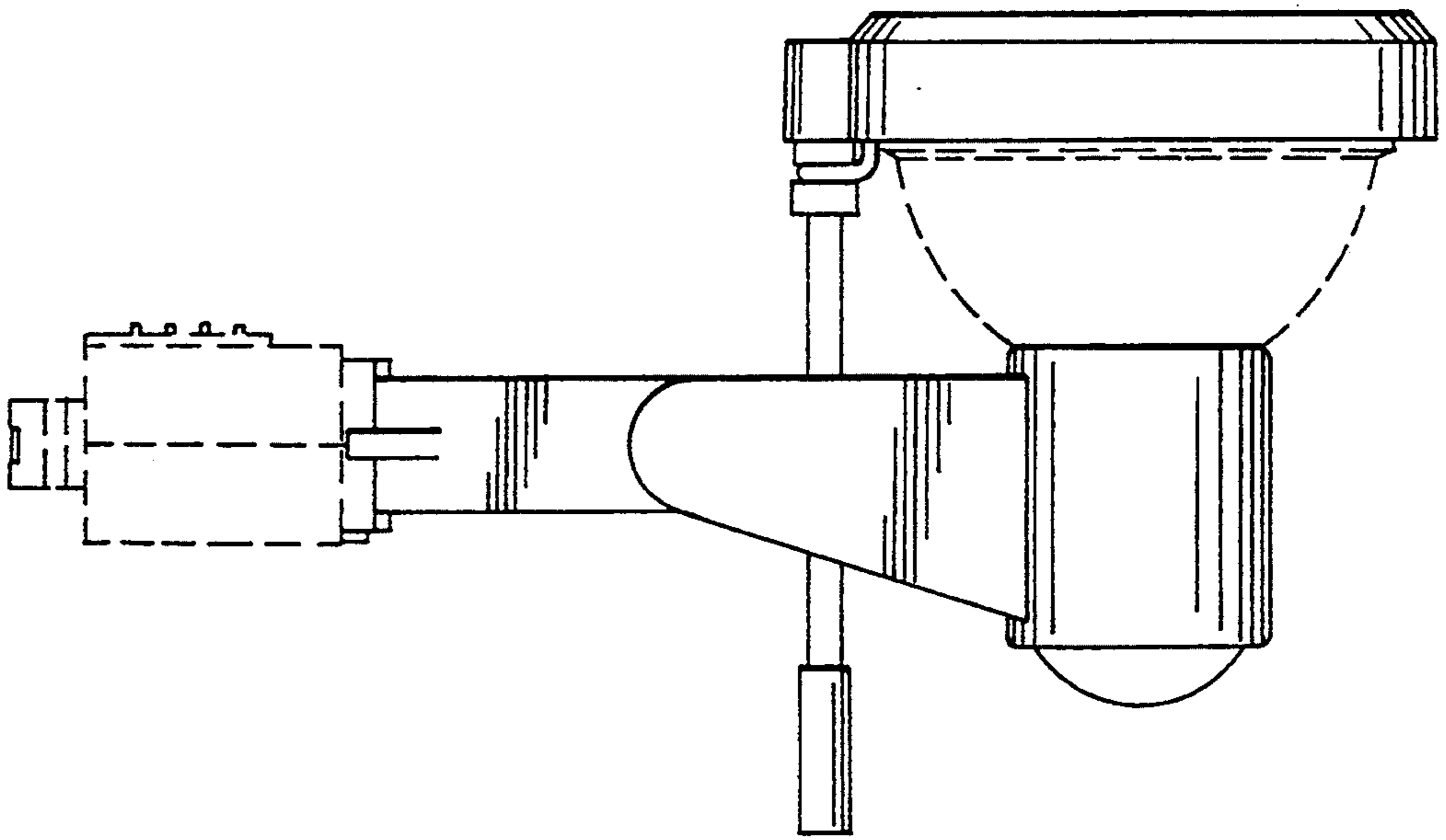


FIG.6

