



US00D354147S

# United States Patent [19]

Ueda

[11] Patent Number: **Des. 354,147**

[45] Date of Patent: **\*\* Jan. 3, 1995**

[54] **DUAL HEADLAMP FOR BICYCLE**

[75] Inventor: **Takashi Ueda, Izumi, Japan**

[73] Assignee: **Cateye Co., Ltd., Osaka, Japan**

[\*\*] Term: **14 Years**

[21] Appl. No.: **18,503**

[22] Filed: **Feb. 8, 1994**

[30] **Foreign Application Priority Data**

Aug. 11, 1993 [JP] Japan ..... 5-24726

[52] U.S. Cl. .... **D26/28**

[58] Field of Search ..... **D26/28-35;**  
362/61, 62, 64, 80, 81, 82, 83, 84

[56] **References Cited**

**U.S. PATENT DOCUMENTS**

D. 154,925 8/1949 Ingle ..... D26/30

D. 255,107 5/1980 Slepetz ..... D10/114  
2,168,939 8/1939 Kraeft ..... 362/72  
2,323,900 6/1943 Dempsey ..... 362/72

*Primary Examiner*—James M. Gandy  
*Assistant Examiner*—Marcus Jackson  
*Attorney, Agent, or Firm*—Allegretti & Witcoff, Ltd.

[57] **CLAIM**

The ornamental design for a dual headlamp for a bicycle, as shown.

**DESCRIPTION**

FIG. 1 is a front view of a dual headlamp for a bicycle showing my new design;

FIG. 2 is a rear view thereof;

FIG. 3 is a top plan view thereof;

FIG. 4 is a bottom plan view thereof;

FIG. 5 is a left side view thereof;

FIG. 6 is a right side view thereof; and,

FIG. 7 is a front perspective view thereof.

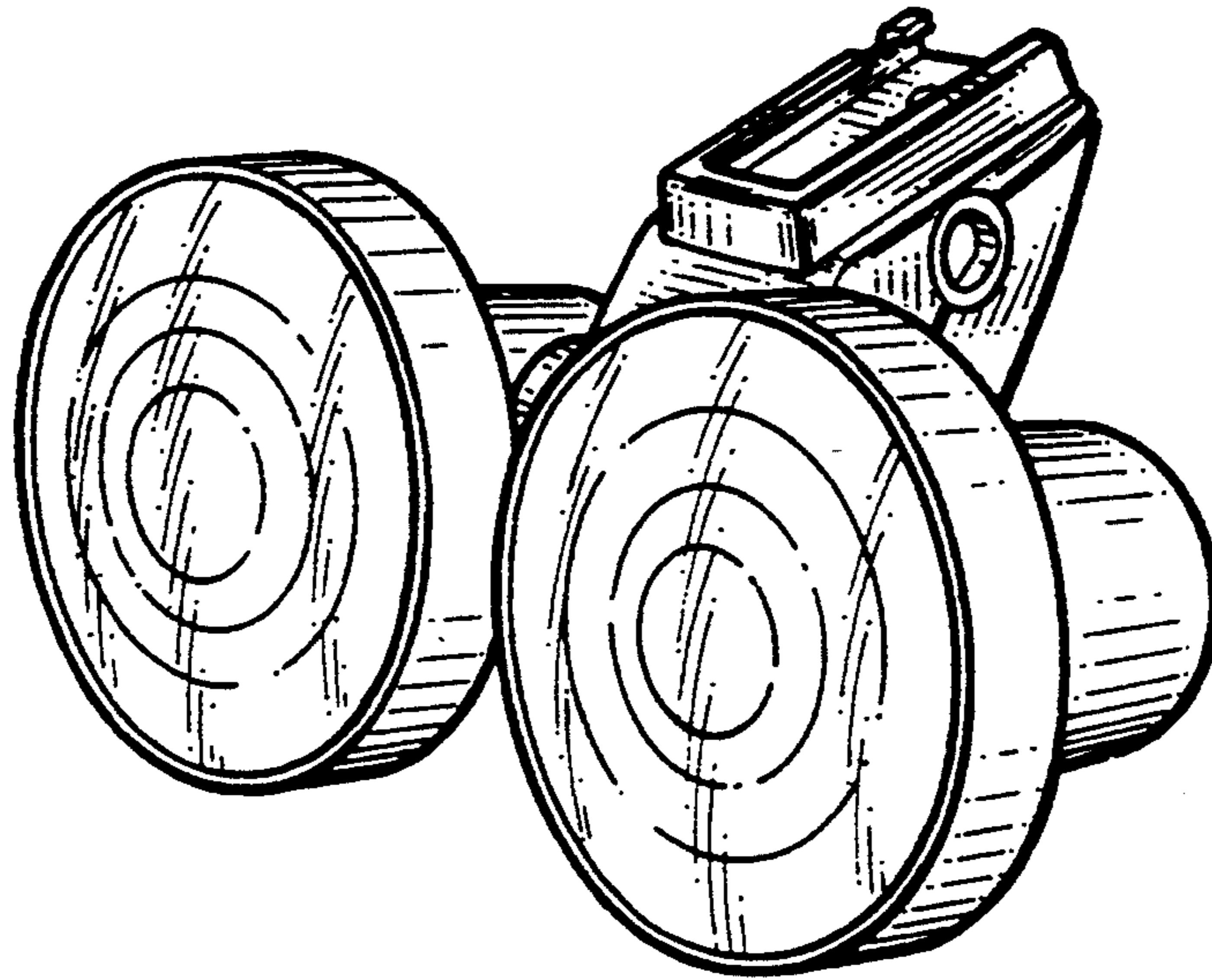


FIG. 1

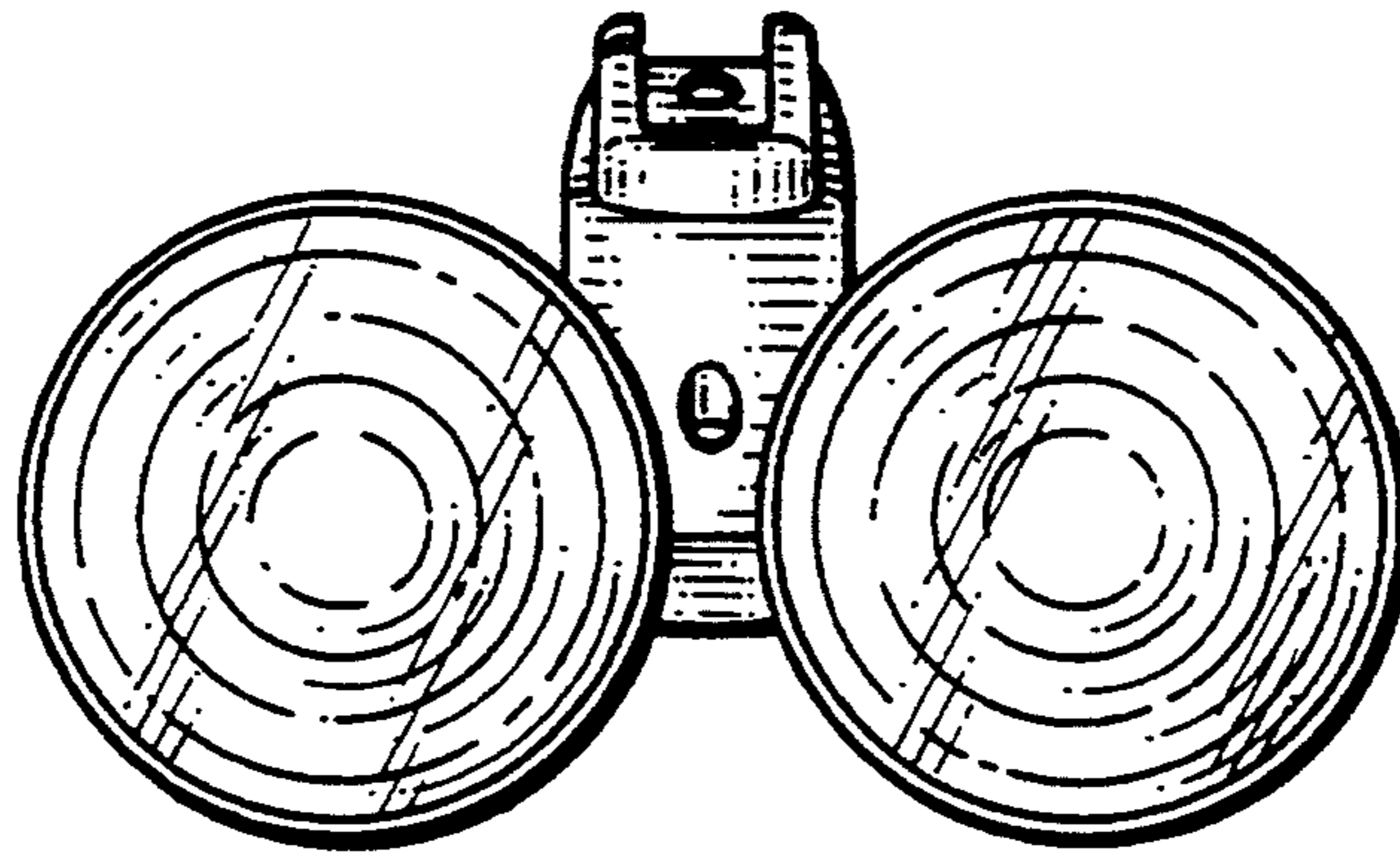


FIG. 2

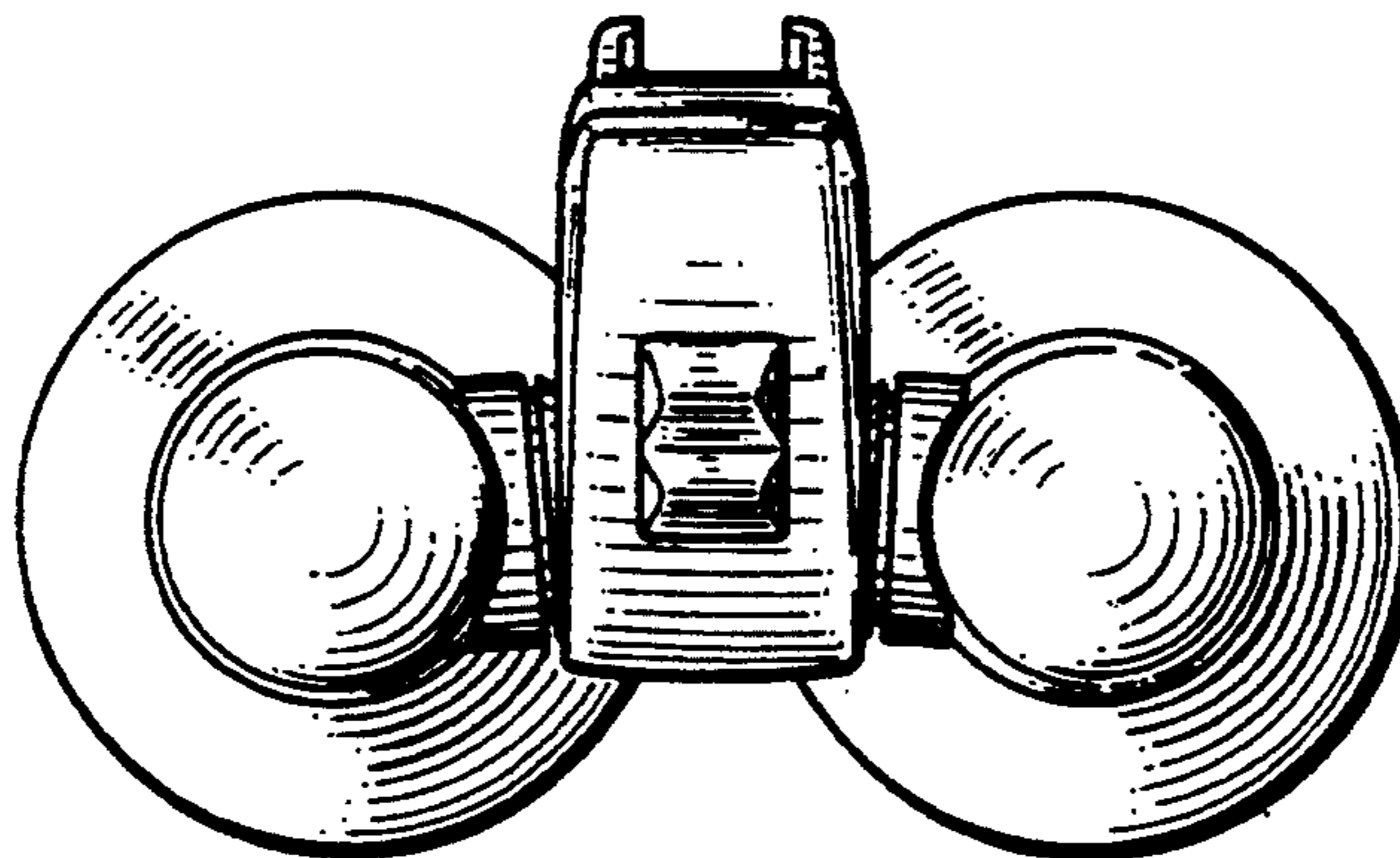


FIG. 5

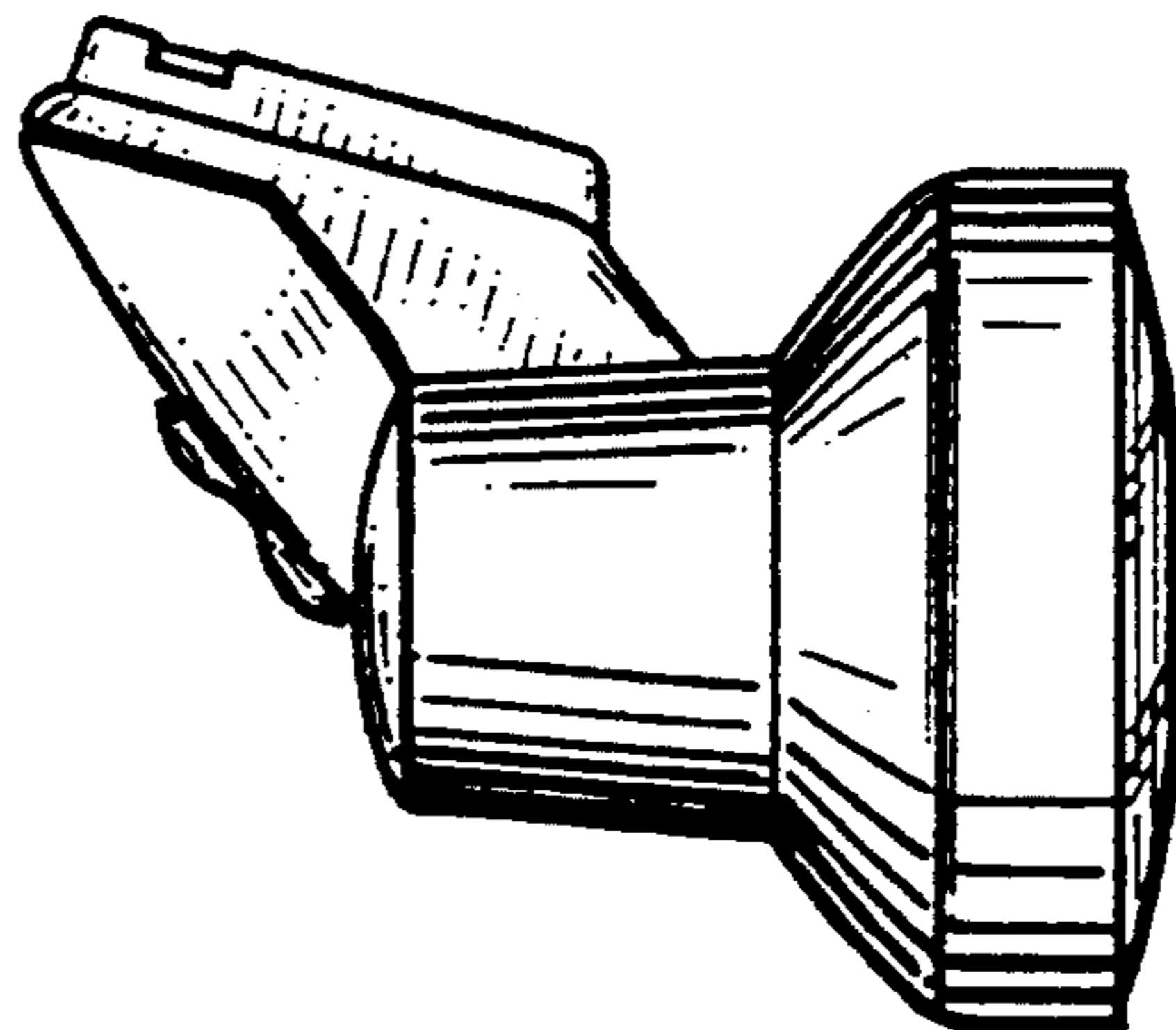


FIG. 6

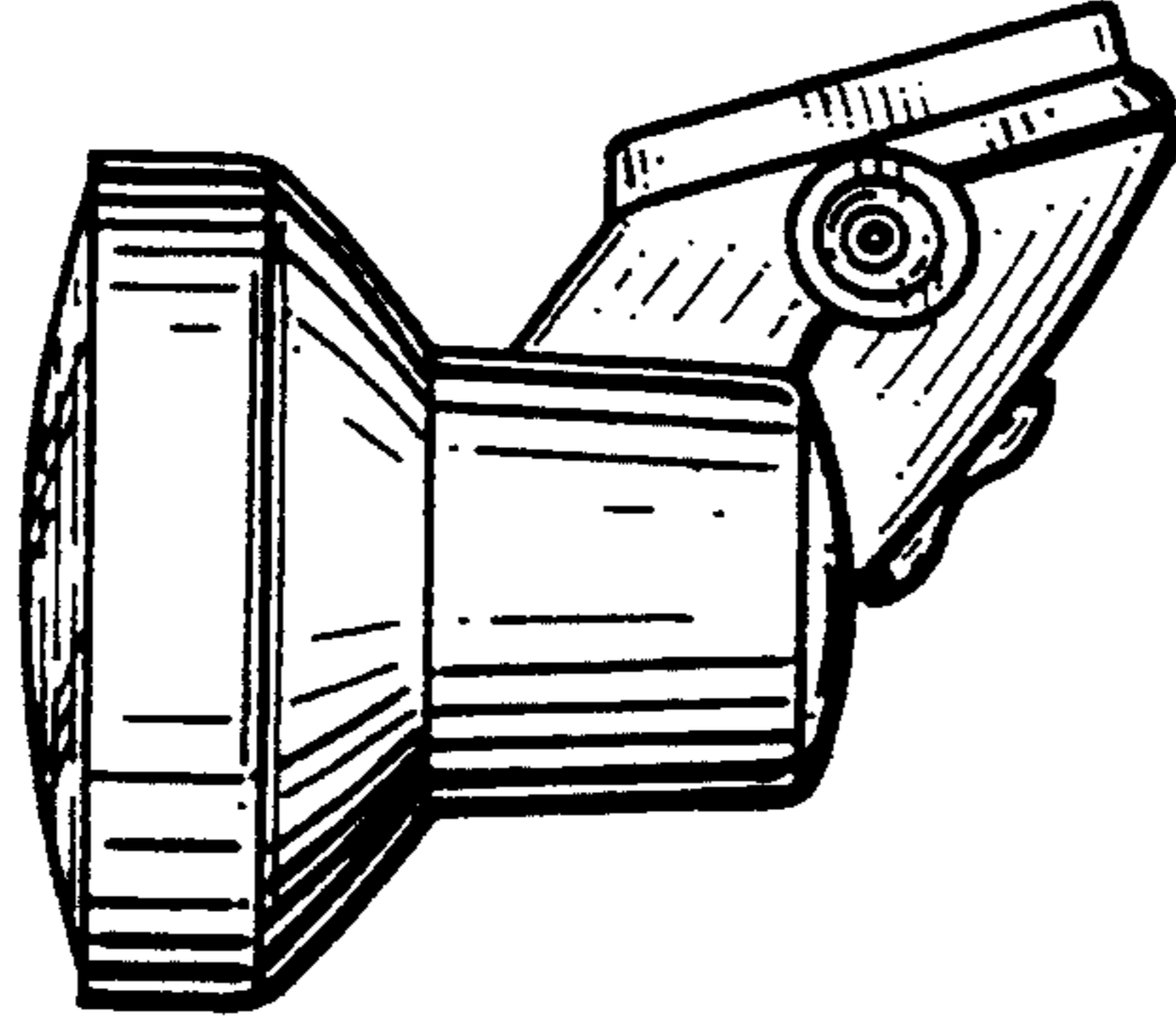


FIG. 3

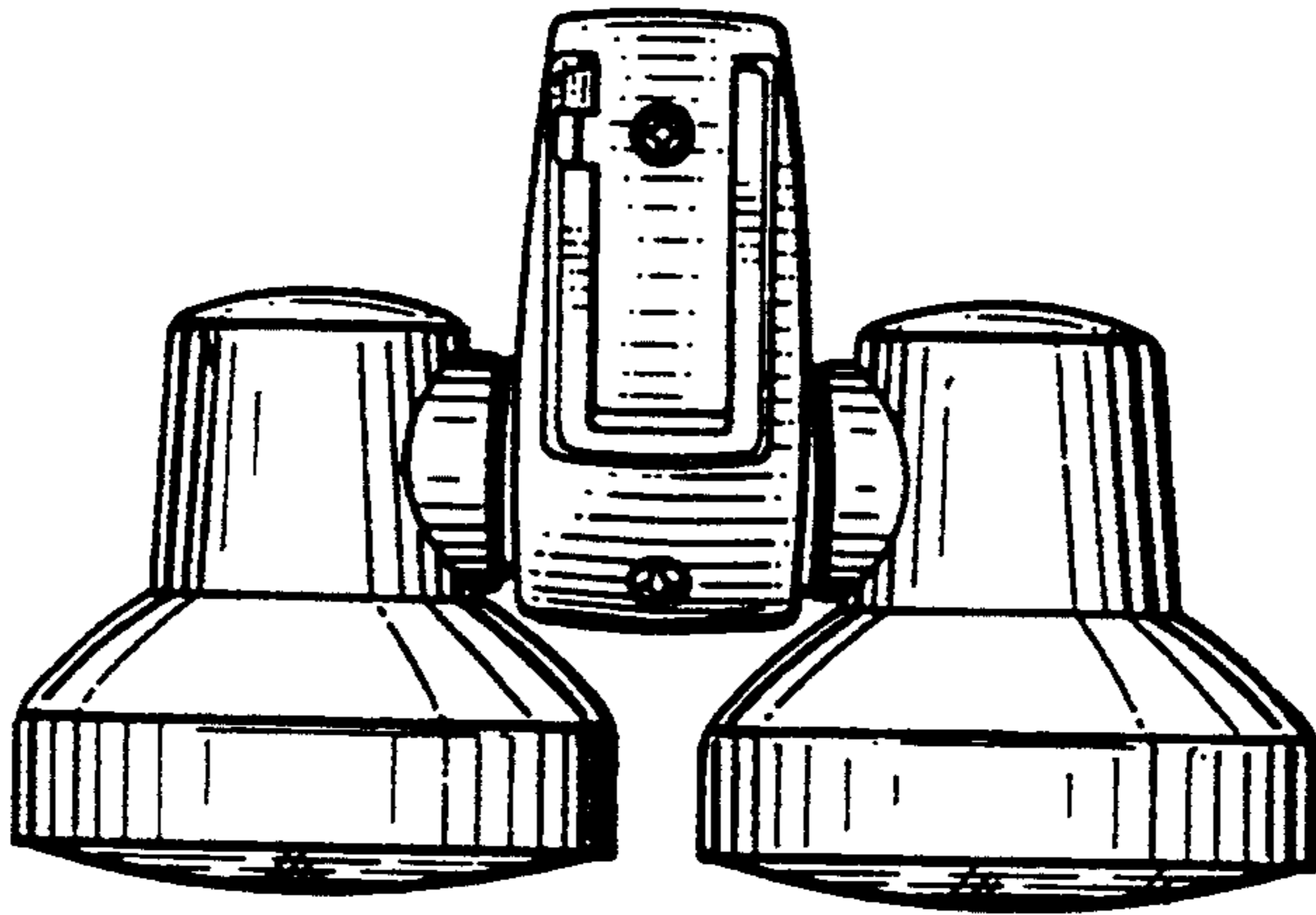


FIG. 4

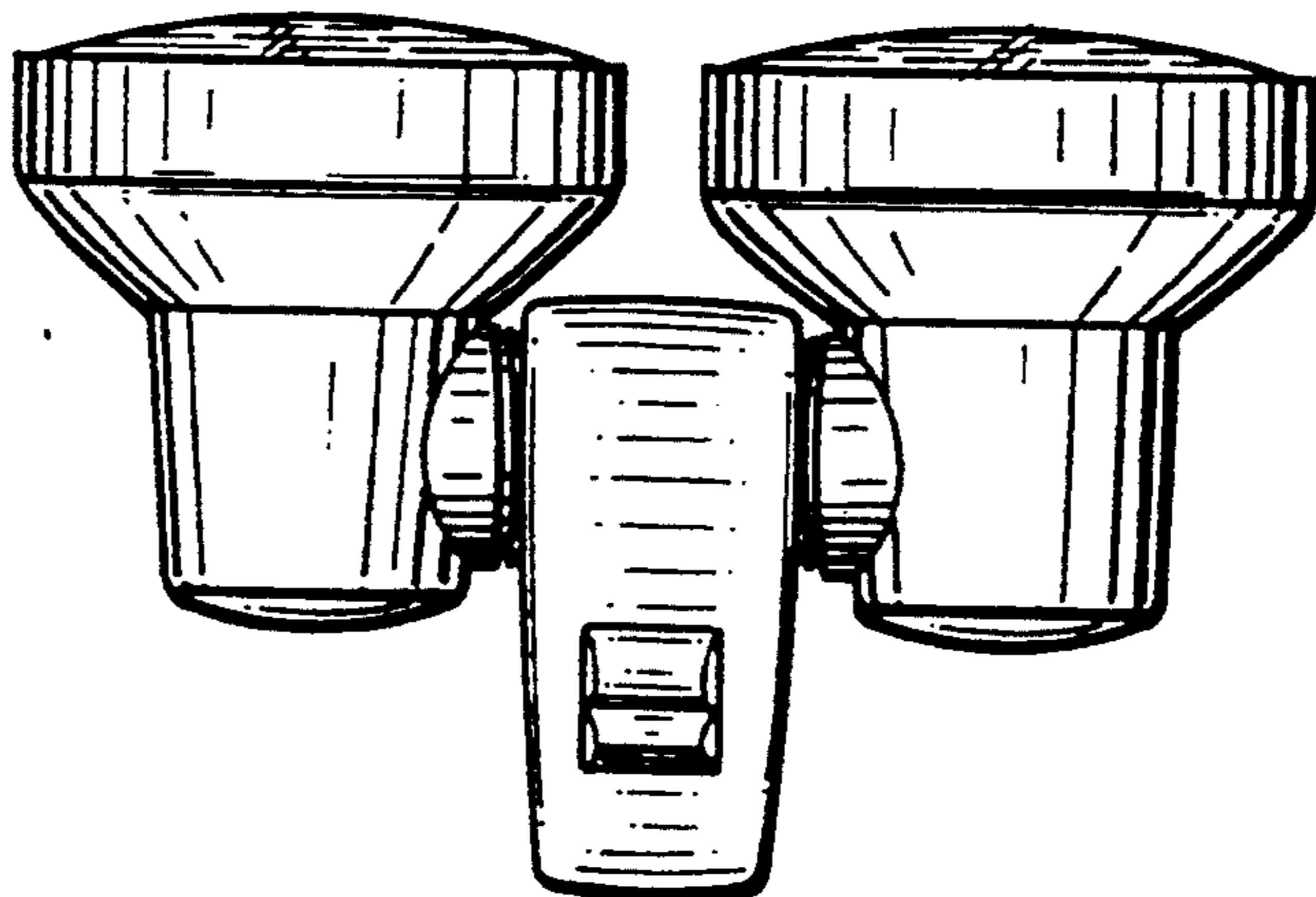


FIG. 7

