



US00D354146S

United States Patent [19]

[11] Patent Number: **Des. 354,146**

Chamberlain et al.

[45] Date of Patent: **** Jan. 3, 1995**

[54] **FLUORESCENT REFLECTOR LAMP**

[75] Inventors: **Leon F. Chamberlain**, Mentor, Ohio;
Calogero Di Gesu, Stanmore,
England

[73] Assignee: **General Electric Company**,
Schenectady, N.Y.

[**] Term: **14 Years**

[21] Appl. No.: **16,444**

[22] Filed: **Dec. 15, 1993**

[52] U.S. Cl. **D26/3**

[58] Field of Search **D26/1, 2, 3, 26, 123,**
D26/124, 118, 120, 121, 122; 362/326-340;
313/315, 318

[56] **References Cited**

U.S. PATENT DOCUMENTS

D. 108,743 3/1938 Cook, Jr. **D26/2**
D. 189,822 2/1961 Plishker **D26/2**

D. 218,976 10/1970 Venema **D26/2**
D. 321,762 11/1991 Mujahid et al. **D26/2**
1,751,070 3/1930 Boots et al. **362/327**
1,918,087 7/1933 Donley **362/327**
2,517,126 8/1950 Macksoud **D26/2**
4,164,012 8/1979 Gulliksen **362/297**

Primary Examiner—Wallace R. Burke
Assistant Examiner—Marcus Jackson
Attorney, Agent, or Firm—George E. Hawranko;
Stanley C. Corwin

[57] CLAIM

The ornamental design for a flouorescent reflector lamp, as shown and described.

DESCRIPTION

FIG. 1 is a perspective view of the fluorescent reflector lamp illustrating my new design; FIG. 2 is a front elevational view of the fluorescent reflector lamp of FIG. 1; and, FIG. 3 is a bottom plan view thereof, wherein the top is dome shaped.

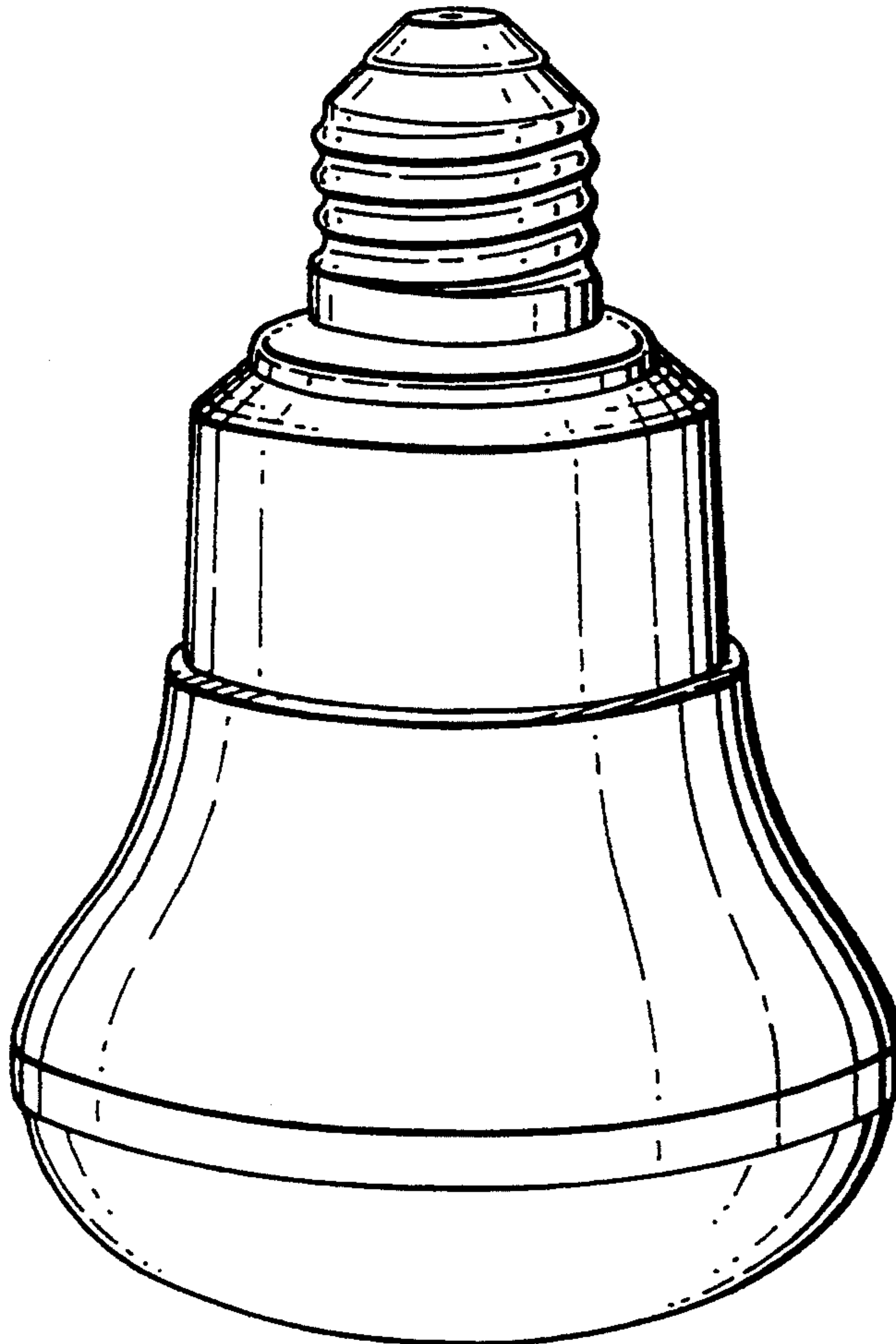


FIG. 1

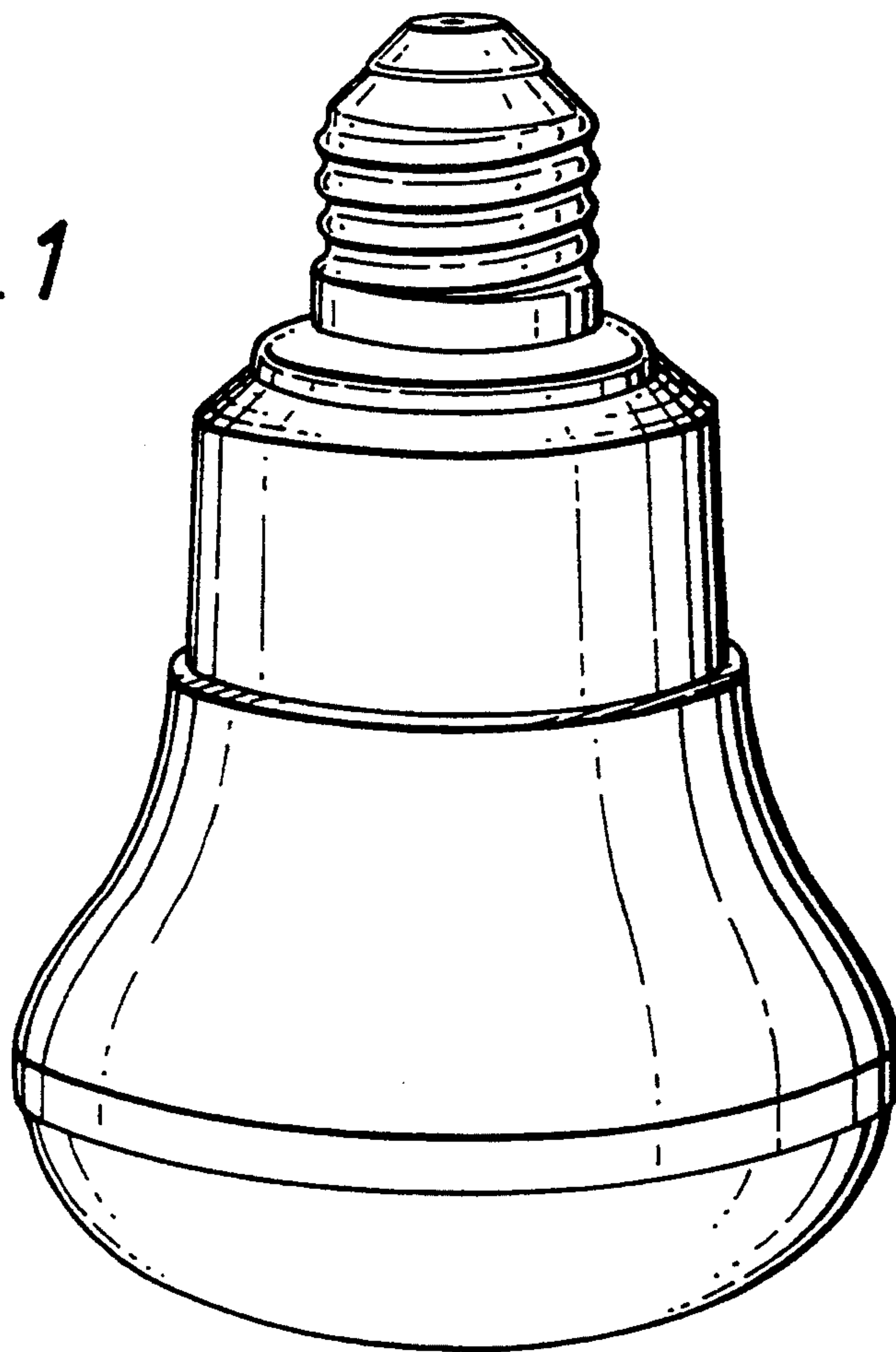


FIG. 2

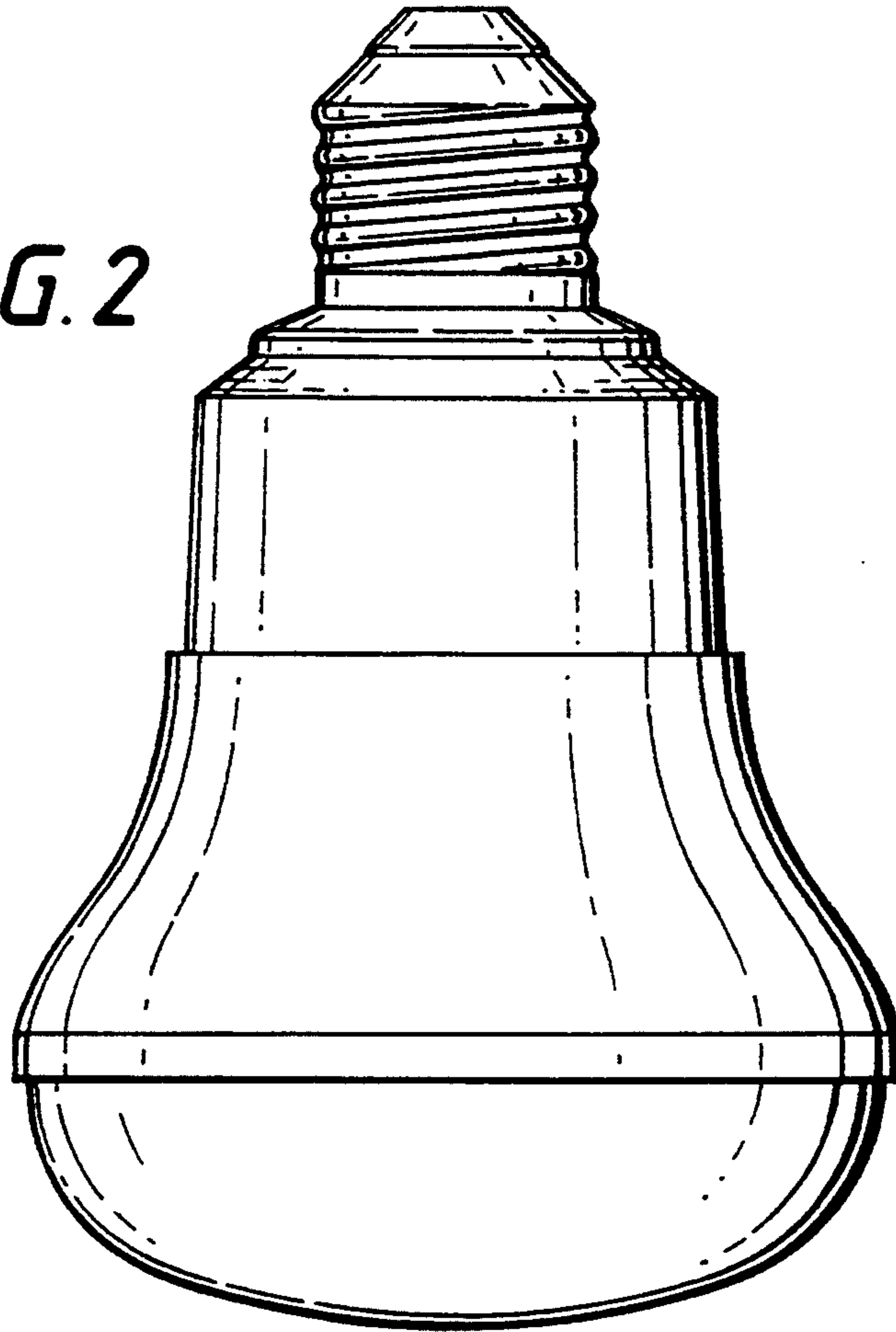


FIG. 3

