



US00D354141S

# United States Patent [19]

[11] Patent Number: **Des. 354,141**

Bate et al.

[45] Date of Patent: **\*\* Jan. 3, 1995**

[54] TEST TRAY

[56] References Cited

[75] Inventors: **Ernest Bate**, Great Chart; **Philip Missing**, Egerton; **David Robinson**, Folkestone, all of England; **Donald E. Mahan**, Grafton, Mass.; **Kevin R. Kearney**, Worcester, Mass.; **Thomas M. Shimei**, Franklin, Mass.

### U.S. PATENT DOCUMENTS

D. 299,859 2/1989 Fan et al. .... D24/225  
5,055,262 10/1991 Sakagami ..... 422/64

*Primary Examiner*—Nelson C. Holtje  
*Assistant Examiner*—Antoine D. Davis  
*Attorney, Agent, or Firm*—Thomas W. Tolpin

[73] Assignee: **Amoco Corporation**, Chicago, Ill.

[57] CLAIM

[\*\*] Term: **14 Years**

The ornamental design for a test tray, as shown.

[21] Appl. No.: **13,330**

### DESCRIPTION

[22] Filed: **Sep. 22, 1993**

FIG. 1 is a perspective view of a test tray showing our new design;

[52] U.S. Cl. .... **D24/227**

FIG. 2 is a front view thereof;

[58] Field of Search ..... D24/224, 225, 226, 227,  
D24/229; 206/569; 422/61, 62, 63, 64, 99, 100,  
101, 102, 103, 104

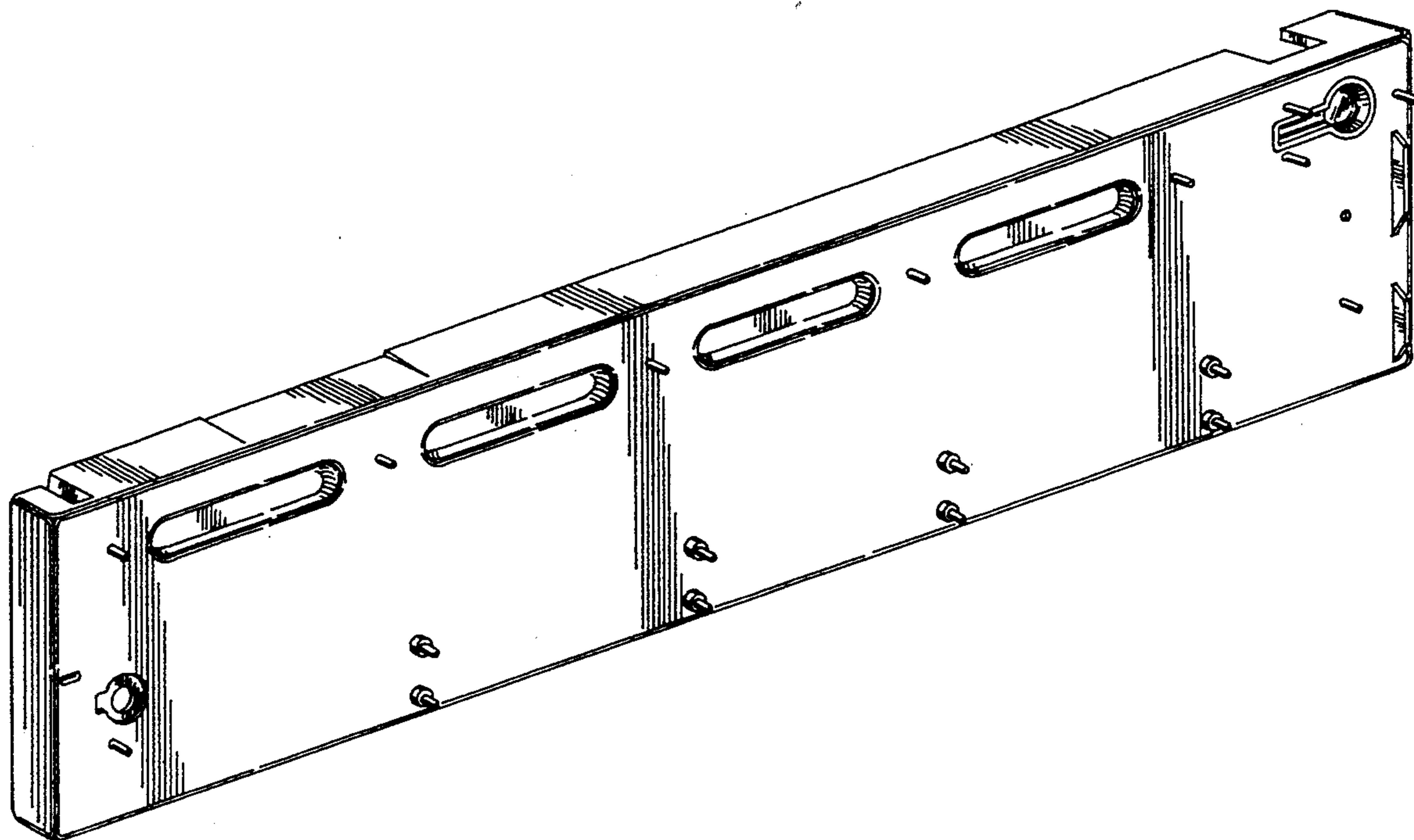
FIG. 3 is a top view thereof;

FIG. 4 is a bottom view thereof;

FIG. 5 is a back view thereof;

FIG. 6 is a left side view thereof; and,

FIG. 7 is a right side view thereof.



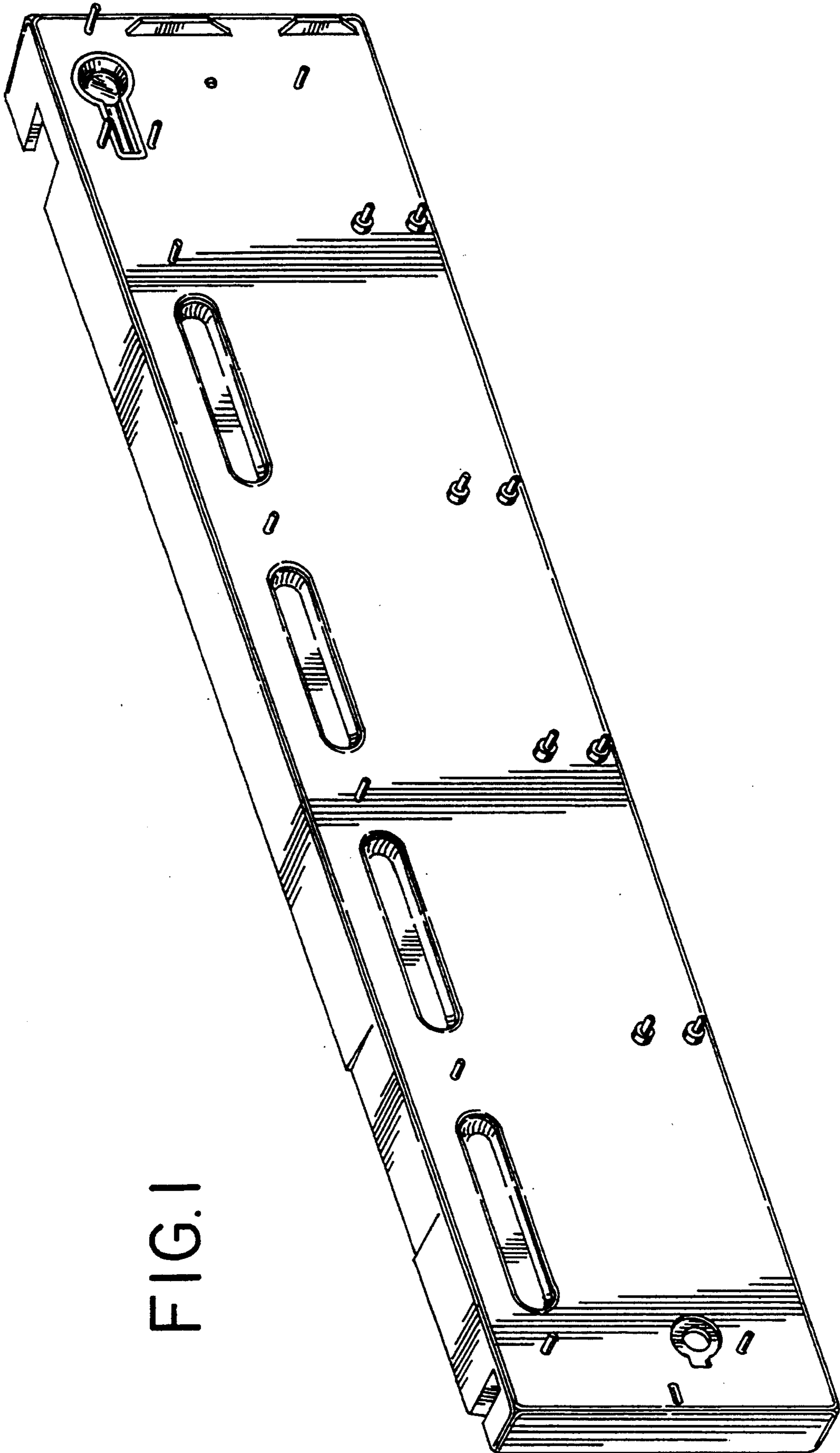


FIG. 1

FIG. 3



FIG. 2

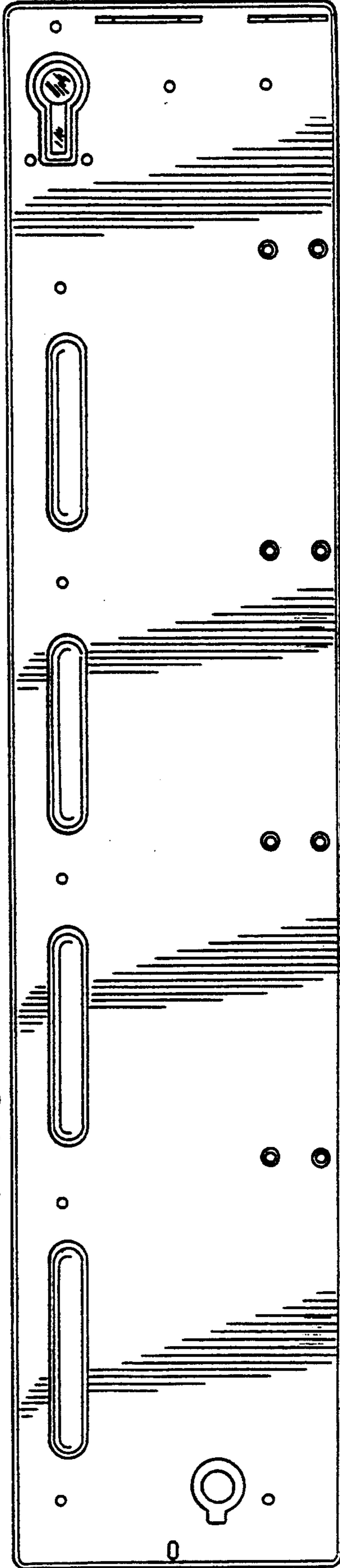


FIG. 4

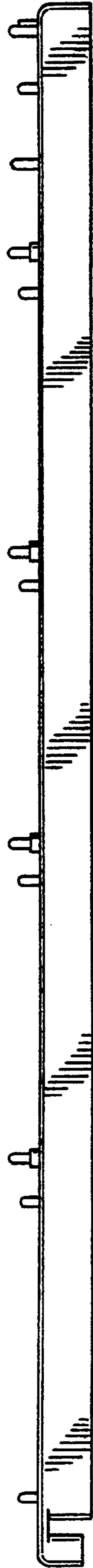


FIG. 5

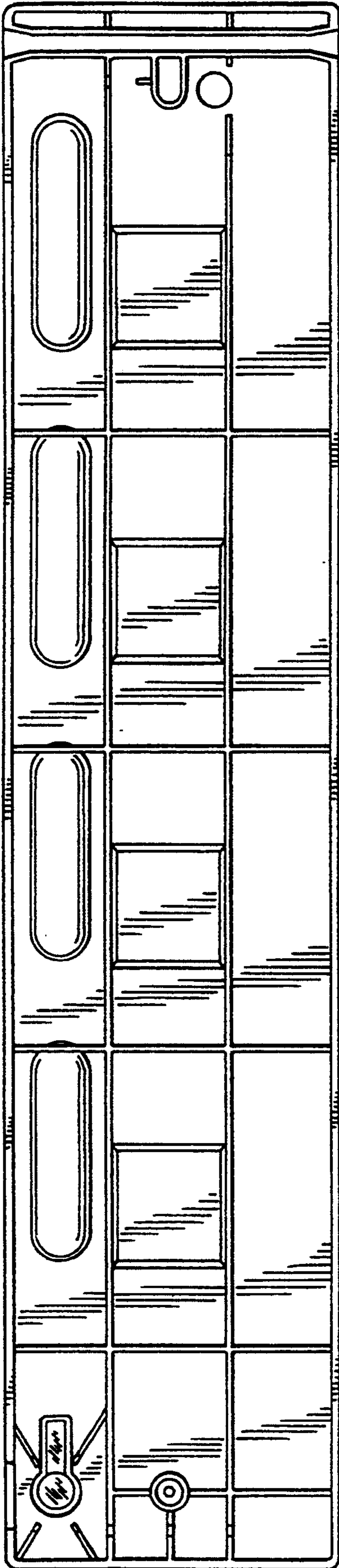


FIG. 6

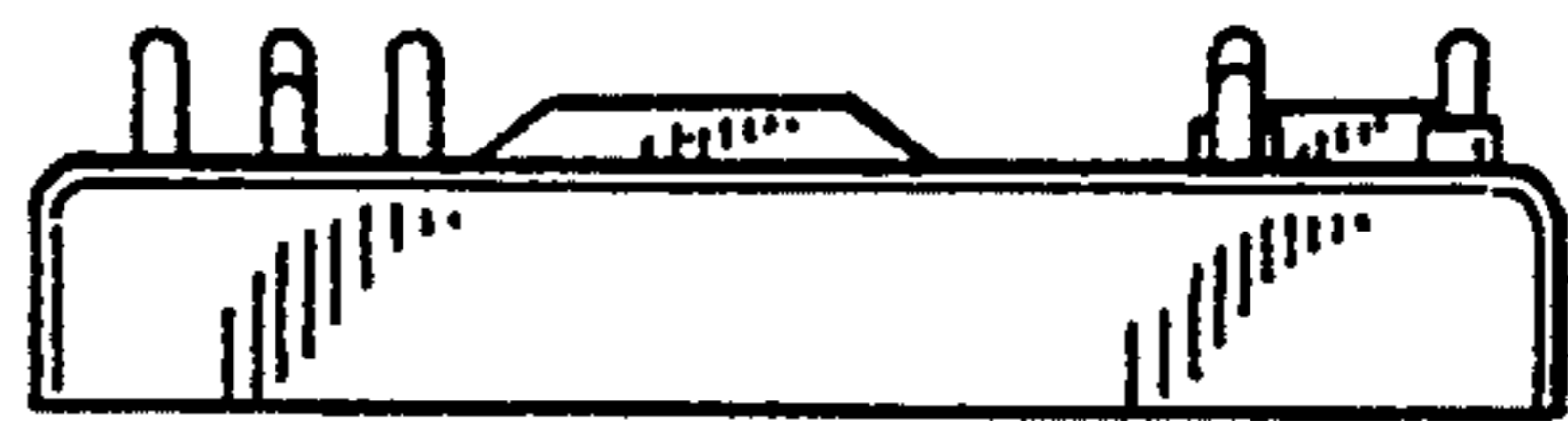


FIG. 7

