



US00D354135S

United States Patent [19]

[11] Patent Number: **Des. 354,135**

Phleps et al.

[45] Date of Patent: **** Jan. 3, 1995**

[54] **DENTAL EXPECTORANT BASIN**

[75] Inventors: **Tilman Phleps, Lorsch; Klaus Stoeckl, Bensheim, both of Germany**

[73] Assignee: **Siemens Aktiengesellschaft, Munich, Germany**

[**] Term: **14 Years**

[21] Appl. No.: **7,254**

[22] Filed: **Apr. 20, 1993**

[30] **Foreign Application Priority Data**

Nov. 4, 1992 [XH] Hague Agreement DM/001938

[52] U.S. Cl. **D24/177; D23/292**

[58] Field of Search **D24/176-182, D24/216, 232-234; 433/97; D23/284, 292, 308; 4/619, 630-631, 645-646, 651**

[56] **References Cited**

U.S. PATENT DOCUMENTS

D. 167,252	7/1952	Bronk et al.	D24/177
D. 208,304	8/1967	Krantz	D24/177
D. 274,164	6/1984	Enthoven	D23/292
D. 277,503	2/1985	Truette et al.	D24/177
D. 293,930	1/1988	Reid	D23/292
D. 318,909	8/1991	Lendos	D23/292
D. 332,829	1/1993	Belfor	D23/292

OTHER PUBLICATIONS

Siemens Sales Brochure "Im Mittelpunkt steht der Mensch: SIRONA M1-neu von Siemens", No. M-D 10/1359 Printed in West Germany in 1983, cover and pp. 2, 3, 10 and 11.

Primary Examiner—Wallace R. Burke

Assistant Examiner—M. H. Tung

[57] **CLAIM**

The ornamental design for a dental expectorant basin, as shown.

DESCRIPTION

FIG. 1 is a perspective view taken from the front left side of the dental expectorant basin of the present invention;

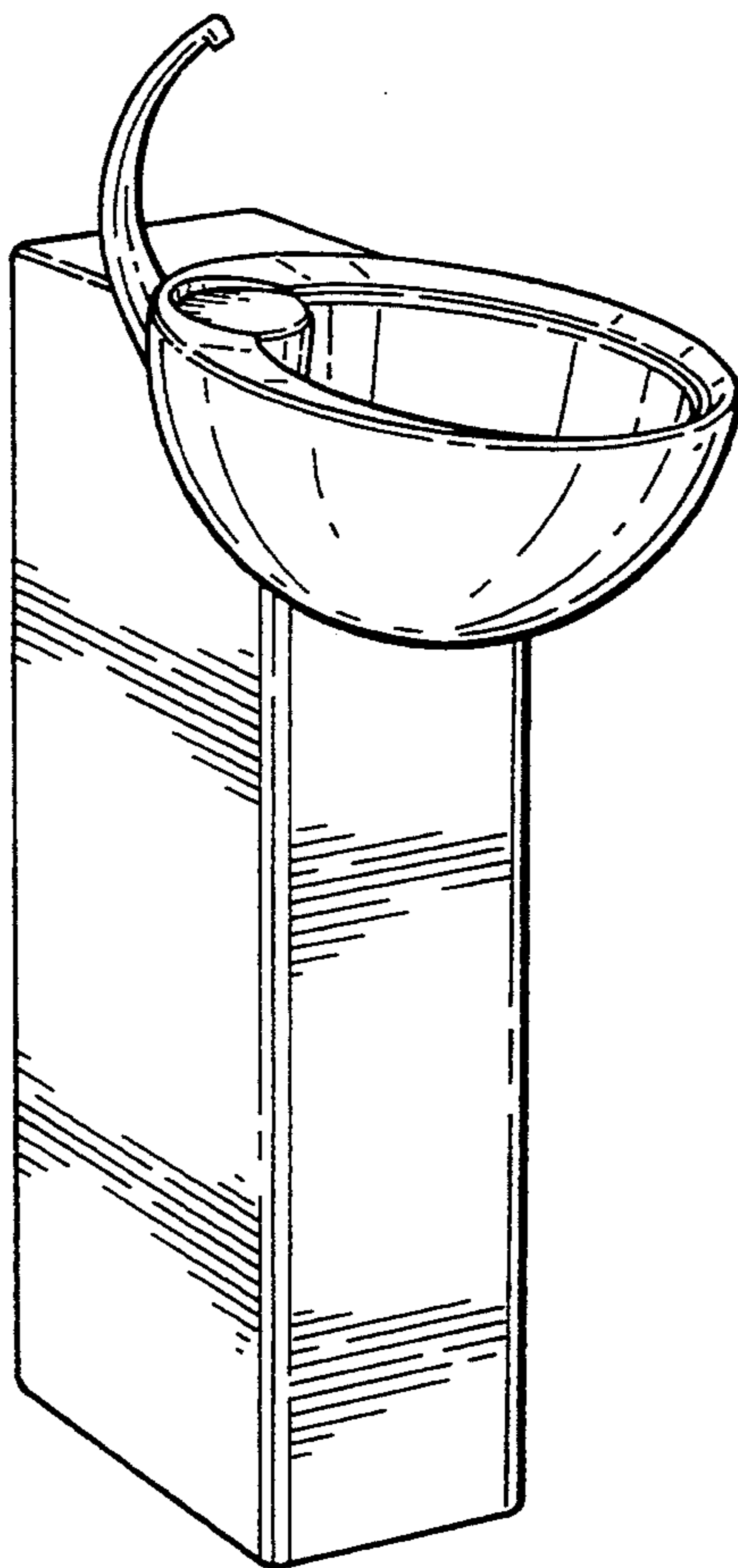
FIG. 2 is a front view of the dental expectorant basin of FIG. 1;

FIG. 3 is a side view of the dental expectorant basin taken from the left side of FIG. 2;

FIG. 4 is a rear view of the dental expectorant basin of FIG. 1;

FIG. 5 is a side view of the dental expectorant basin taken from the right side of FIG. 2; and,

FIG. 6 is a top plan view of the dental expectorant basin of FIG. 1.



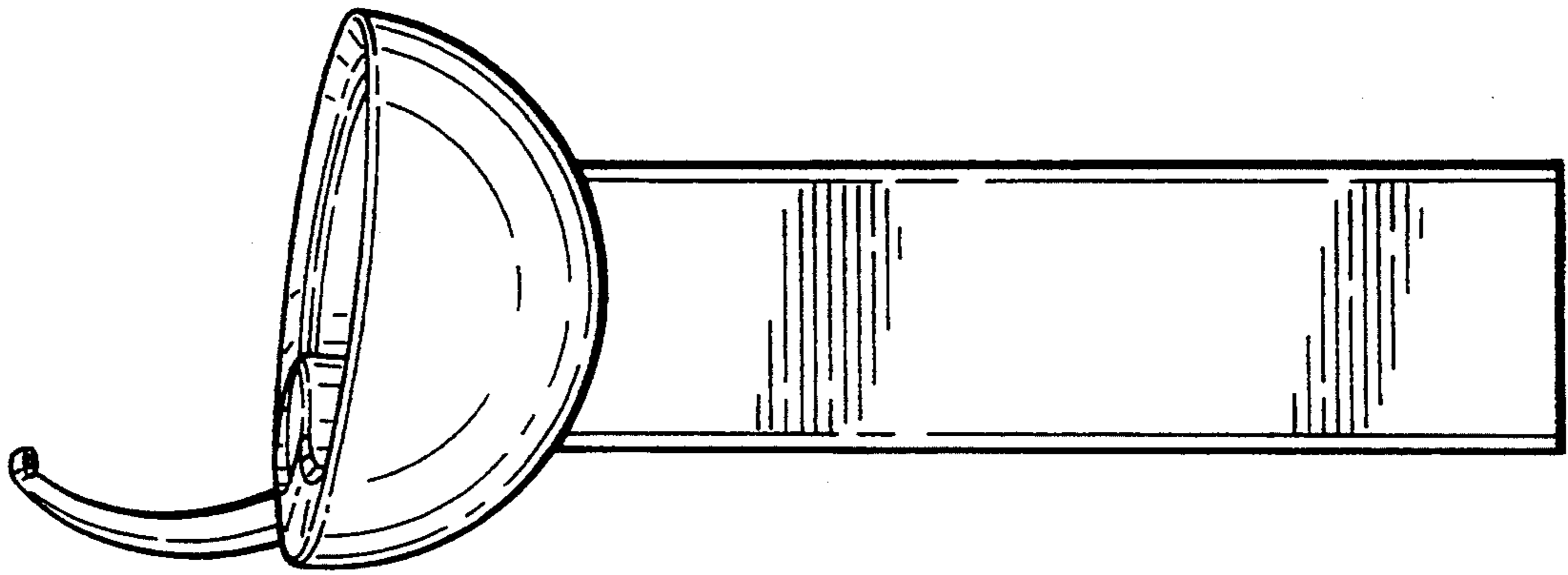


FIG 2

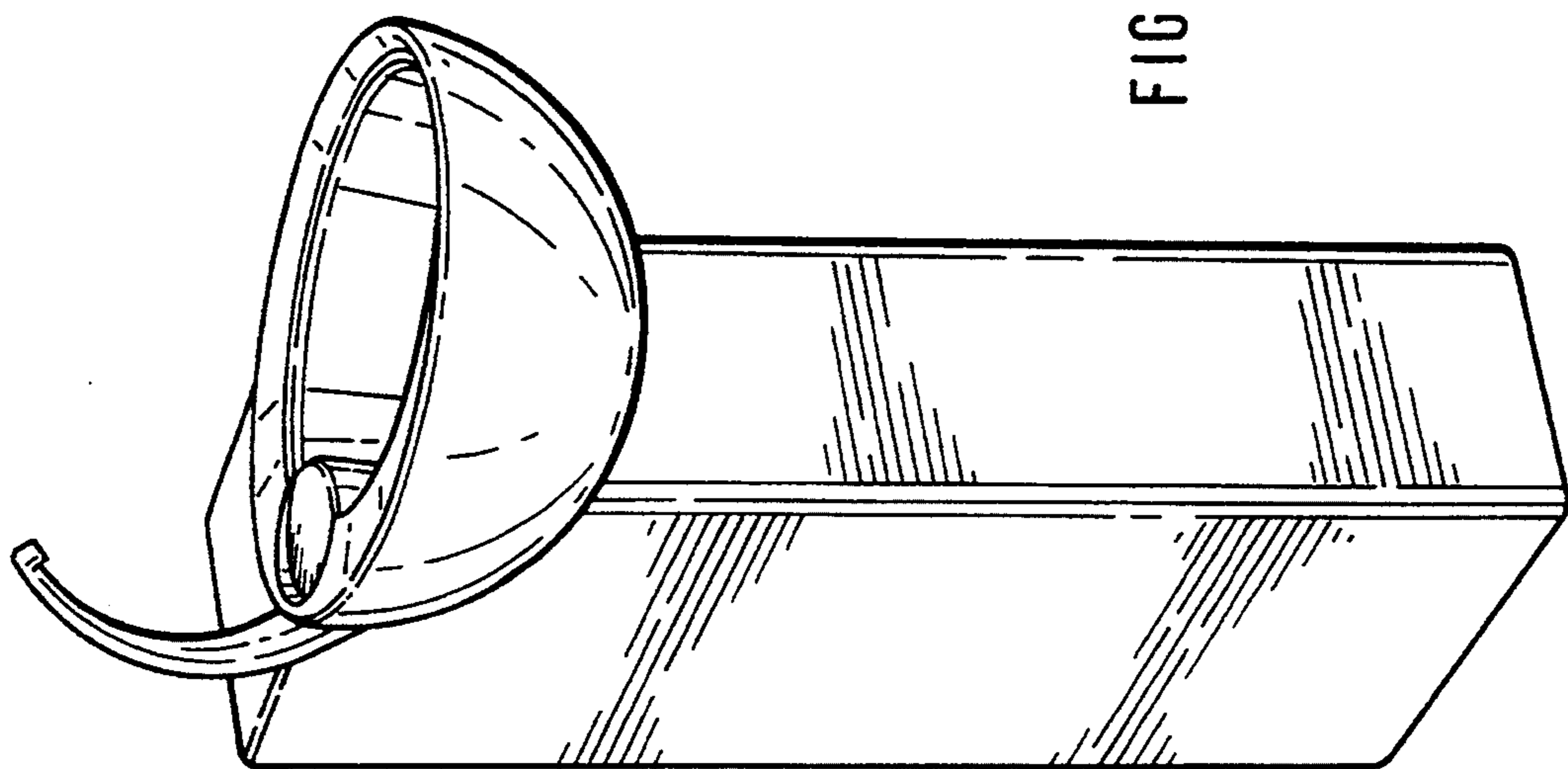


FIG 1

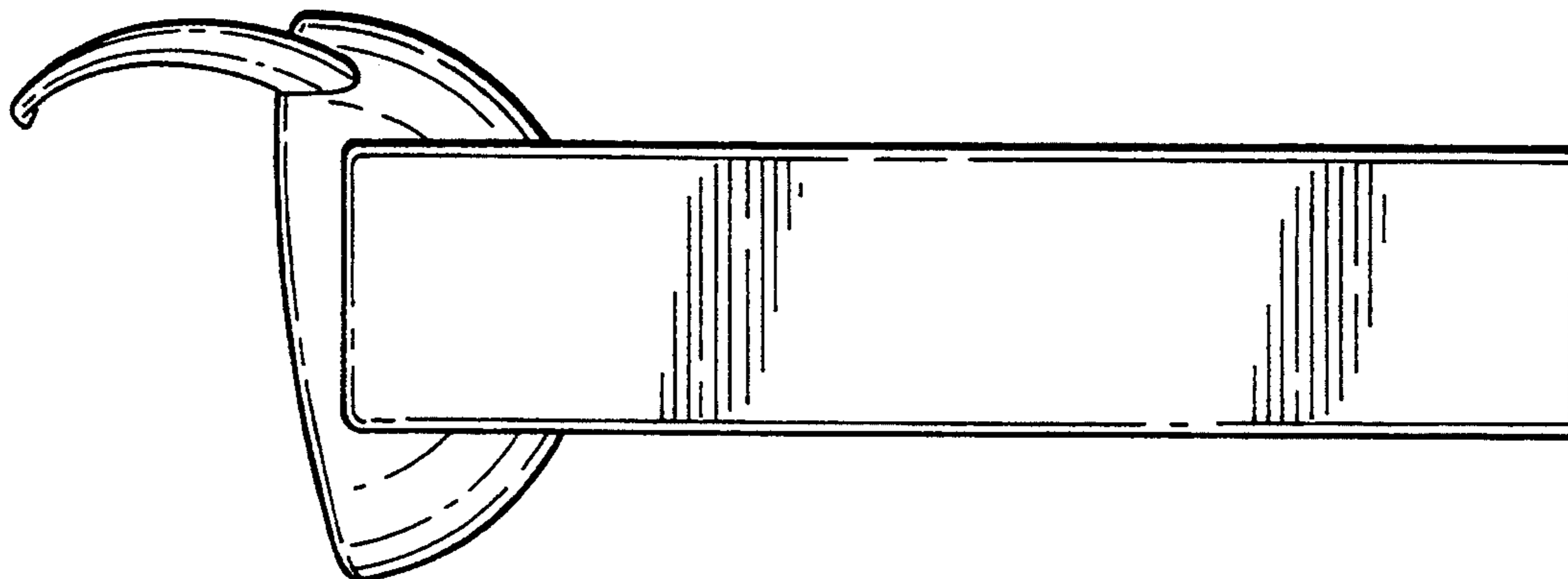


FIG 4

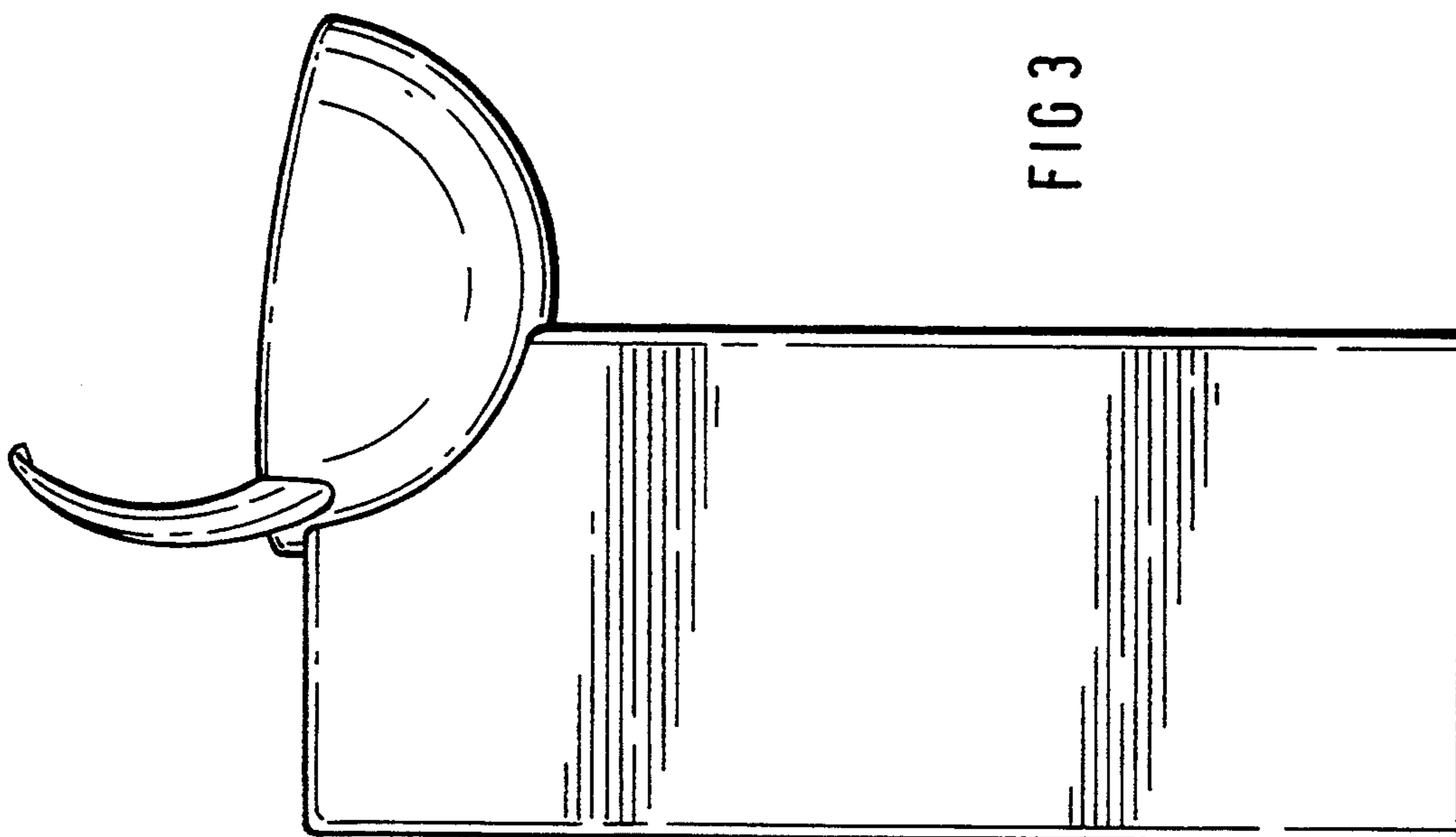


FIG 3

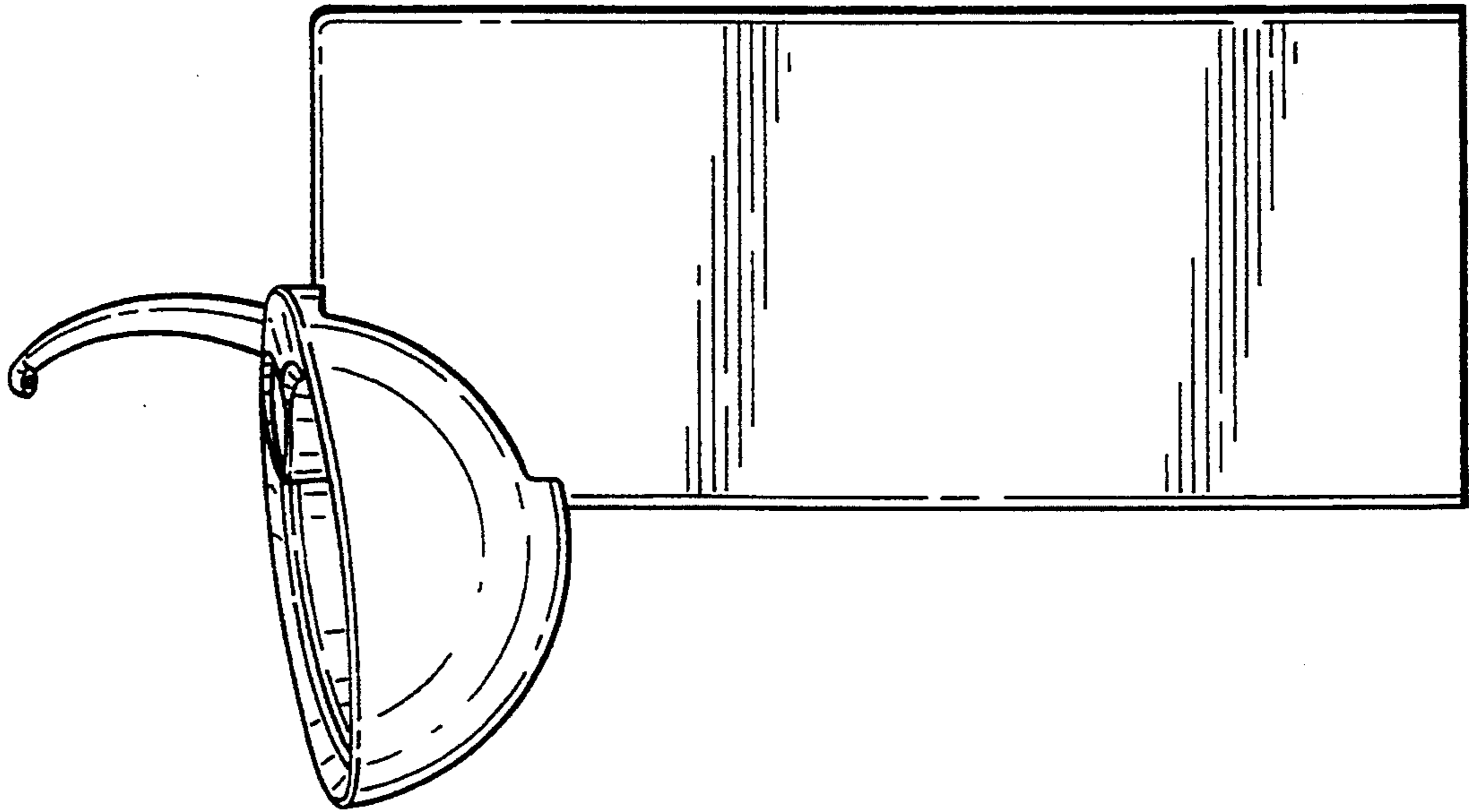


FIG 5

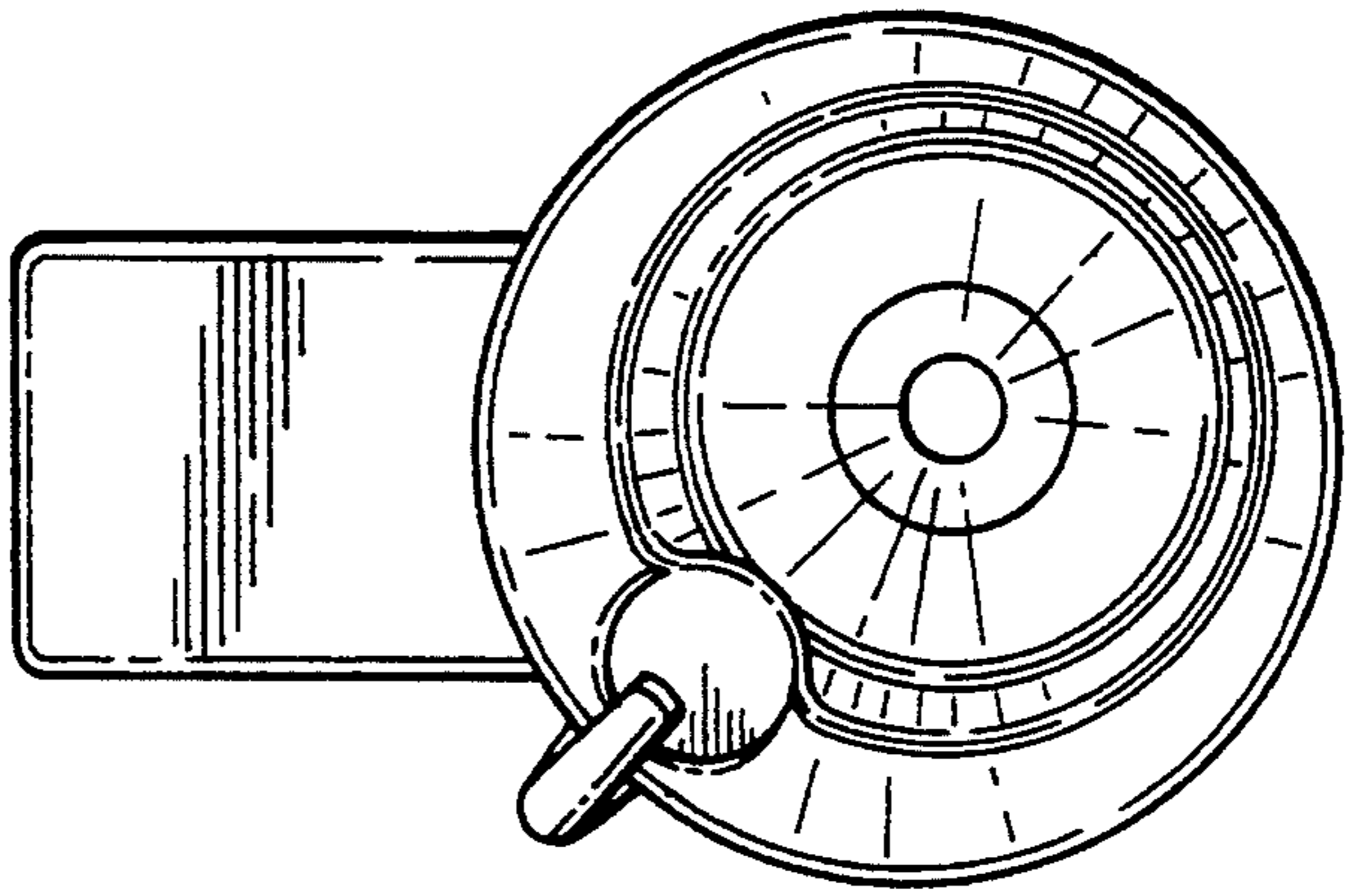


FIG 6