



US00D354133S

# United States Patent [19]

[11] Patent Number: **Des. 354,133**

Scavitto et al.

[45] Date of Patent: **\*\* Jan. 3, 1995**

[54] **MEDICAL FLUID COUPLER**

3,550,624 4/1968 Johnson ..... 137/614  
3,599,670 12/1967 Gurner ..... 137/614

[75] Inventors: **John A. Scavitto**, Mendon; **David T. Healey**, Reading, both of Mass.

*Primary Examiner*—Stella Reid  
*Assistant Examiner*—Eric M. Watterson  
*Attorney, Agent, or Firm*—Nicholas I. Slepchuk, Jr.;  
Arthur S. Morgenstern; Judith A. Roesler

[73] Assignee: **Ciba Corning Diagnostics Corp.**,  
Medfield, Mass.

[\*\*] Term: **14 Years**

[57] **CLAIM**

[21] Appl. No.: **16,183**

The ornamental design for medical fluid coupler, as shown and described.

[22] Filed: **Dec. 9, 1993**

[52] U.S. Cl. .... **D24/129; D23/262**

**DESCRIPTION**

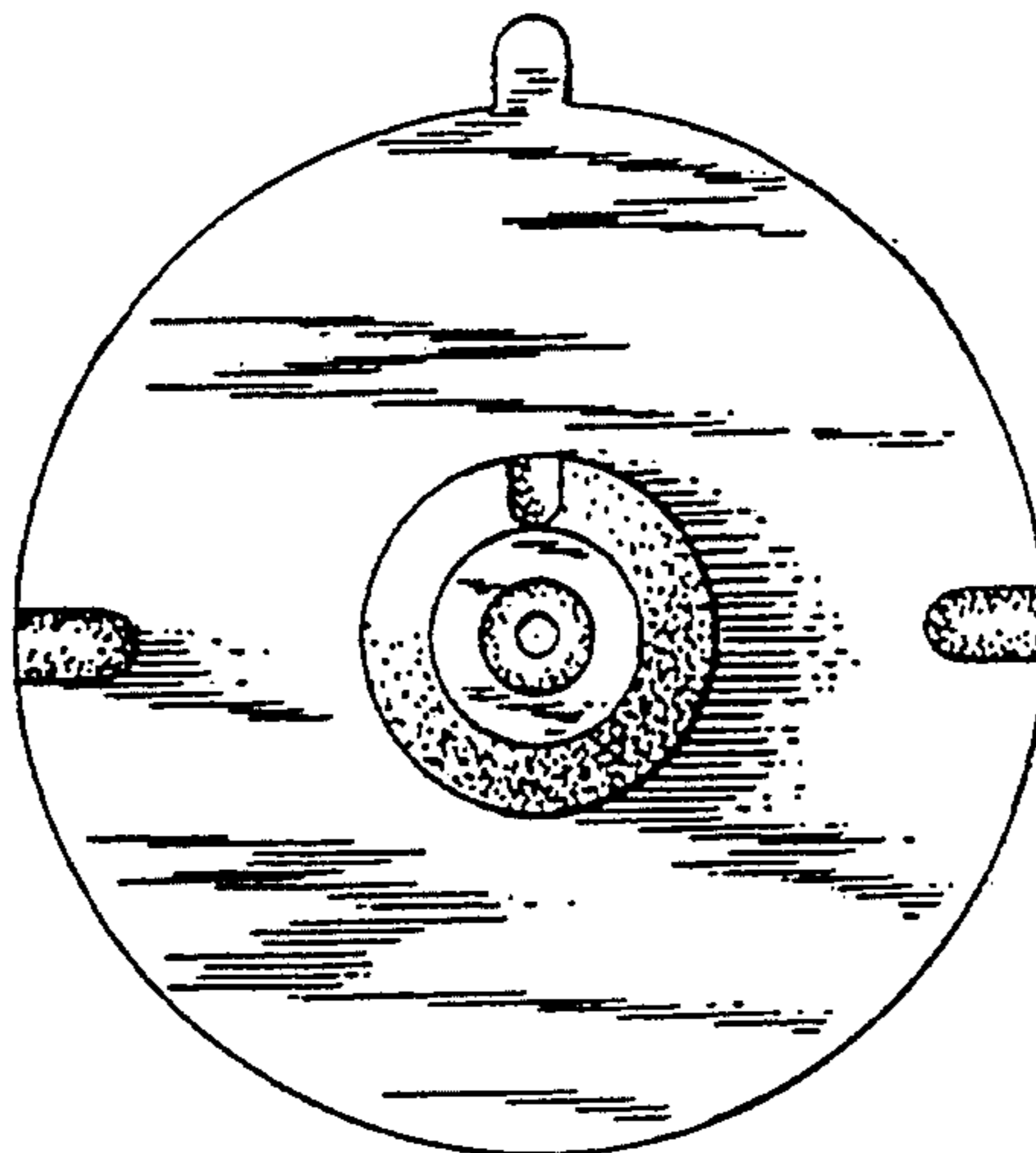
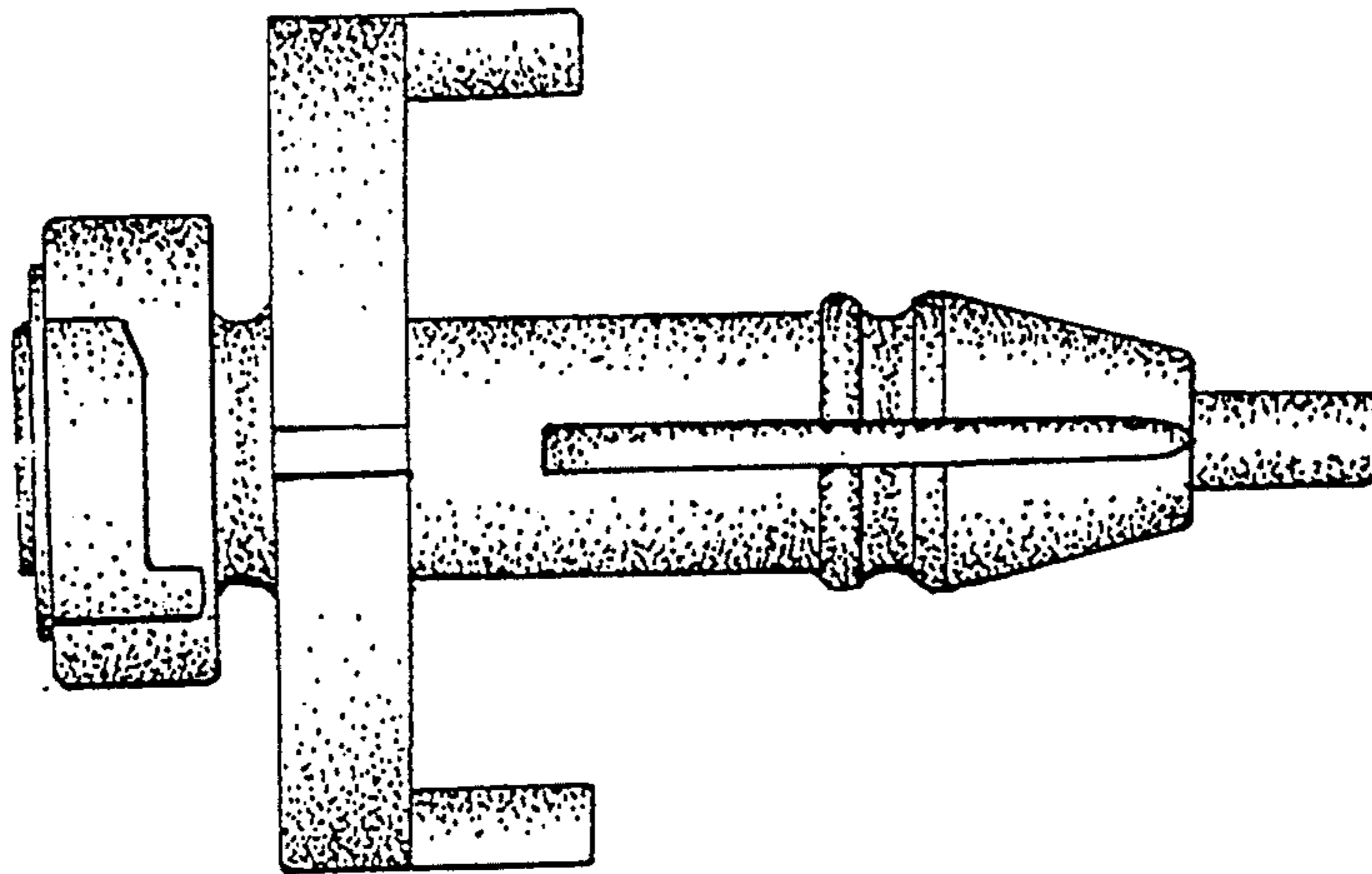
[58] Field of Search ..... **D23/262, 263, 264, 265;**  
**251/149.6, 334; 137/614, 614.02, 614.03,**  
**614.04, 614.05; D24/129; 604/103, 246, 247,**  
**248, 905**

FIG. 1 is a top plan view of a medical fluid coupler showing our new design;  
FIG. 2 is a right end view;  
FIG. 3 is a left end view;  
FIG. 4 is a side elevational view looking from the left of FIG. 2;  
FIG. 5 is a side elevational view looking from the right of FIG. 2; and,  
FIG. 6 is a bottom plan view.

[56] **References Cited**

**U.S. PATENT DOCUMENTS**

D. 193,323 7/1962 Hahn ..... D23/262  
D. 339,417 9/1993 Sampson et al. .... D24/129



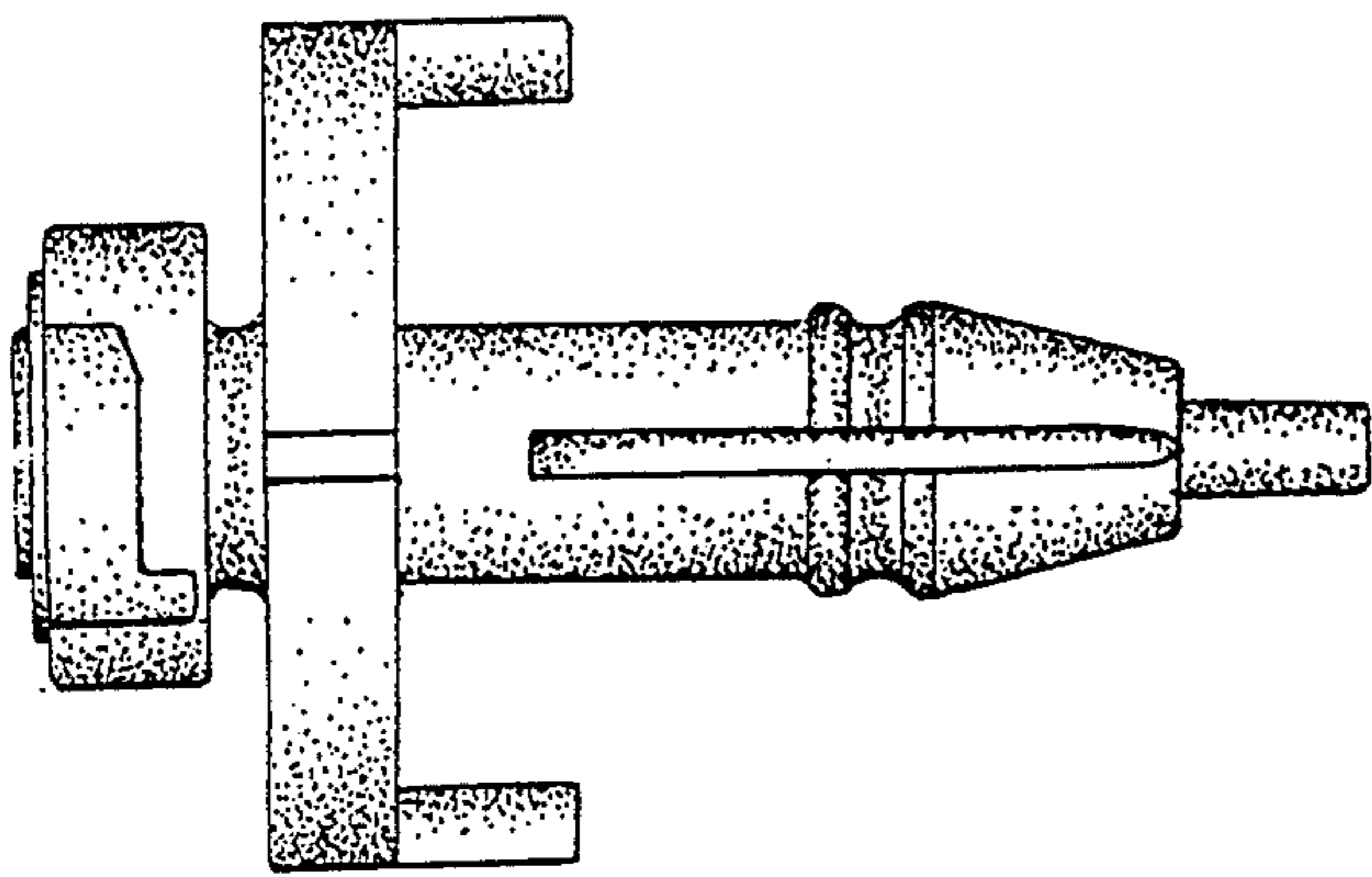


FIG. 1

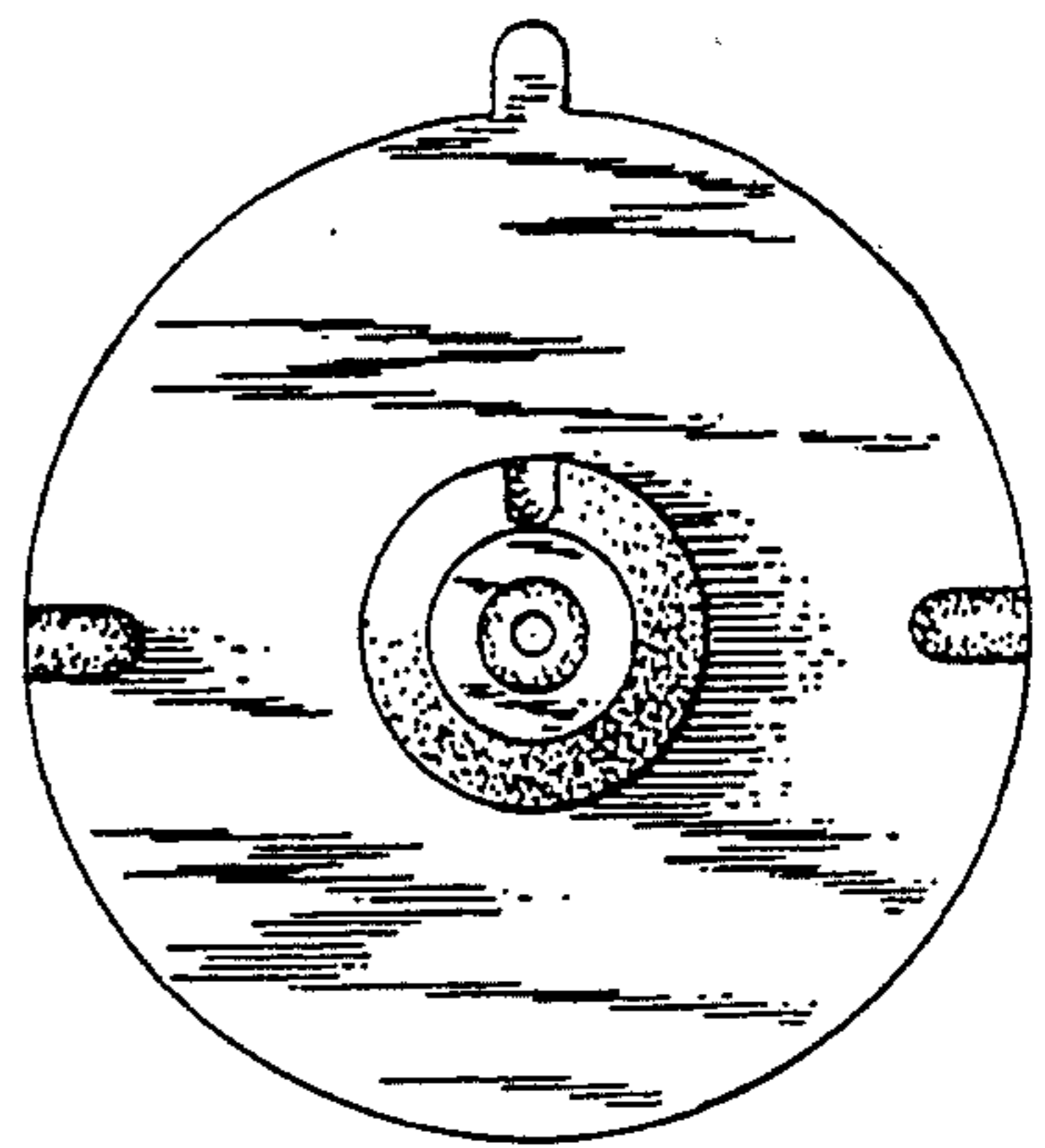


FIG. 2

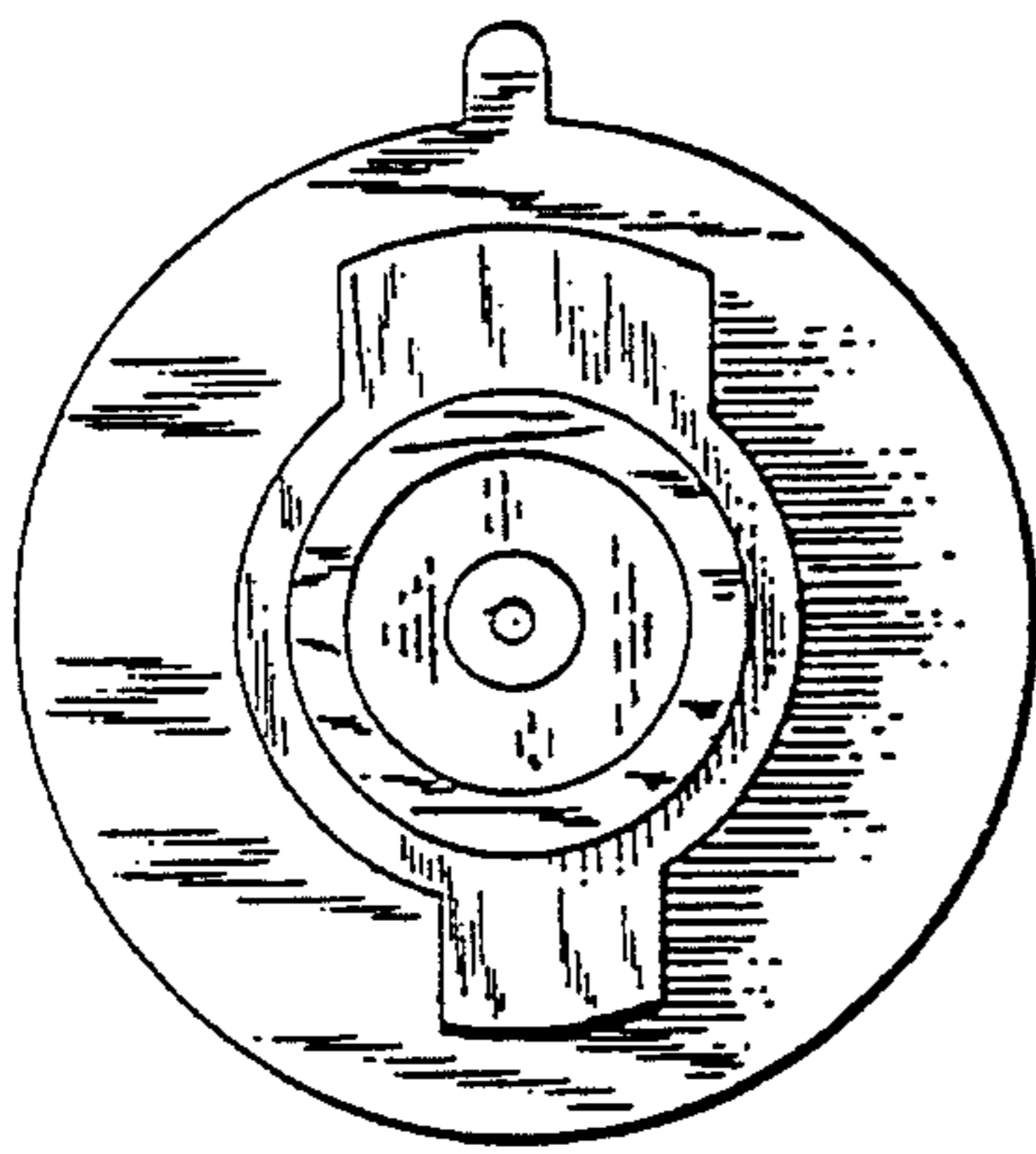


FIG. 3

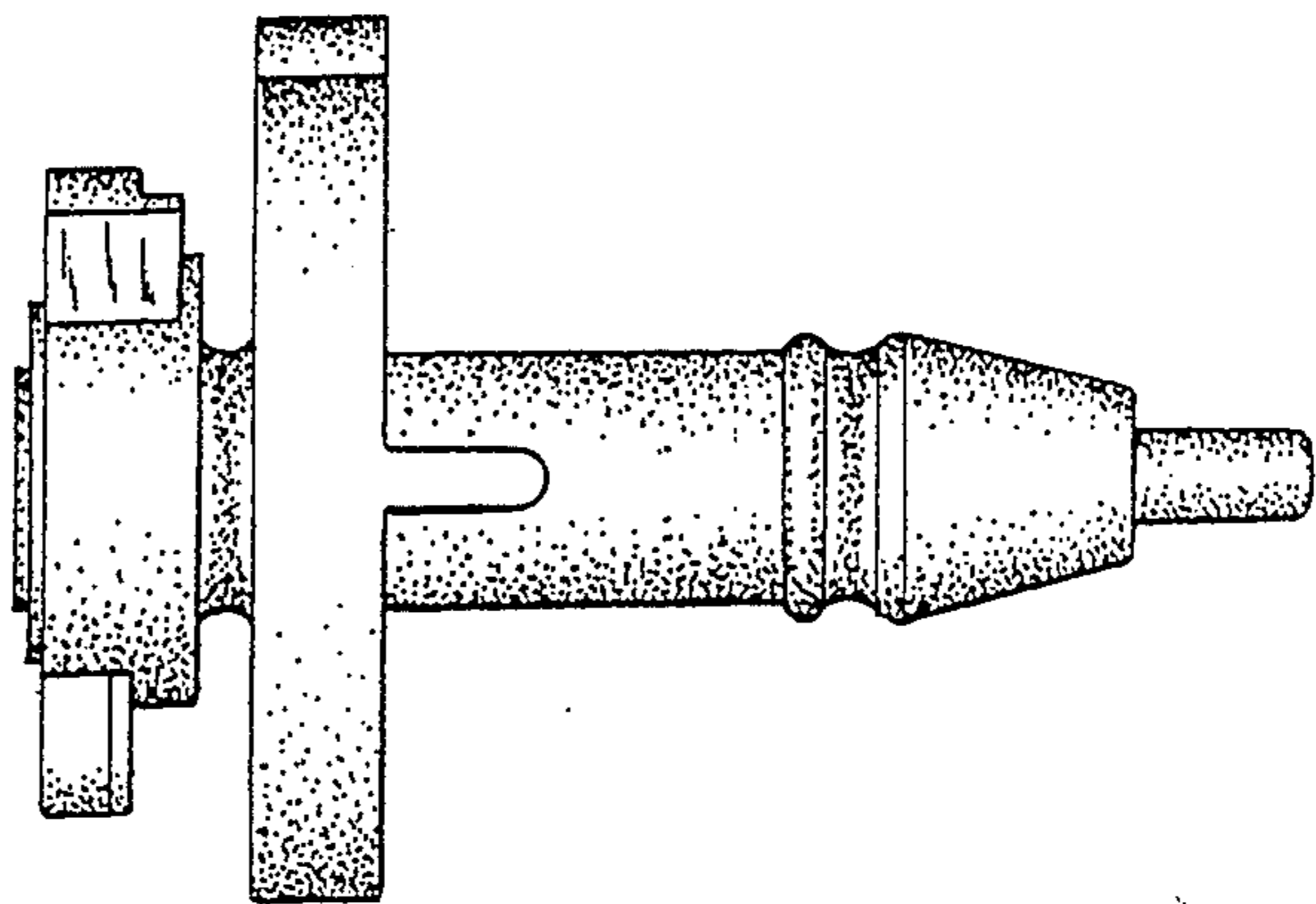


FIG. 4

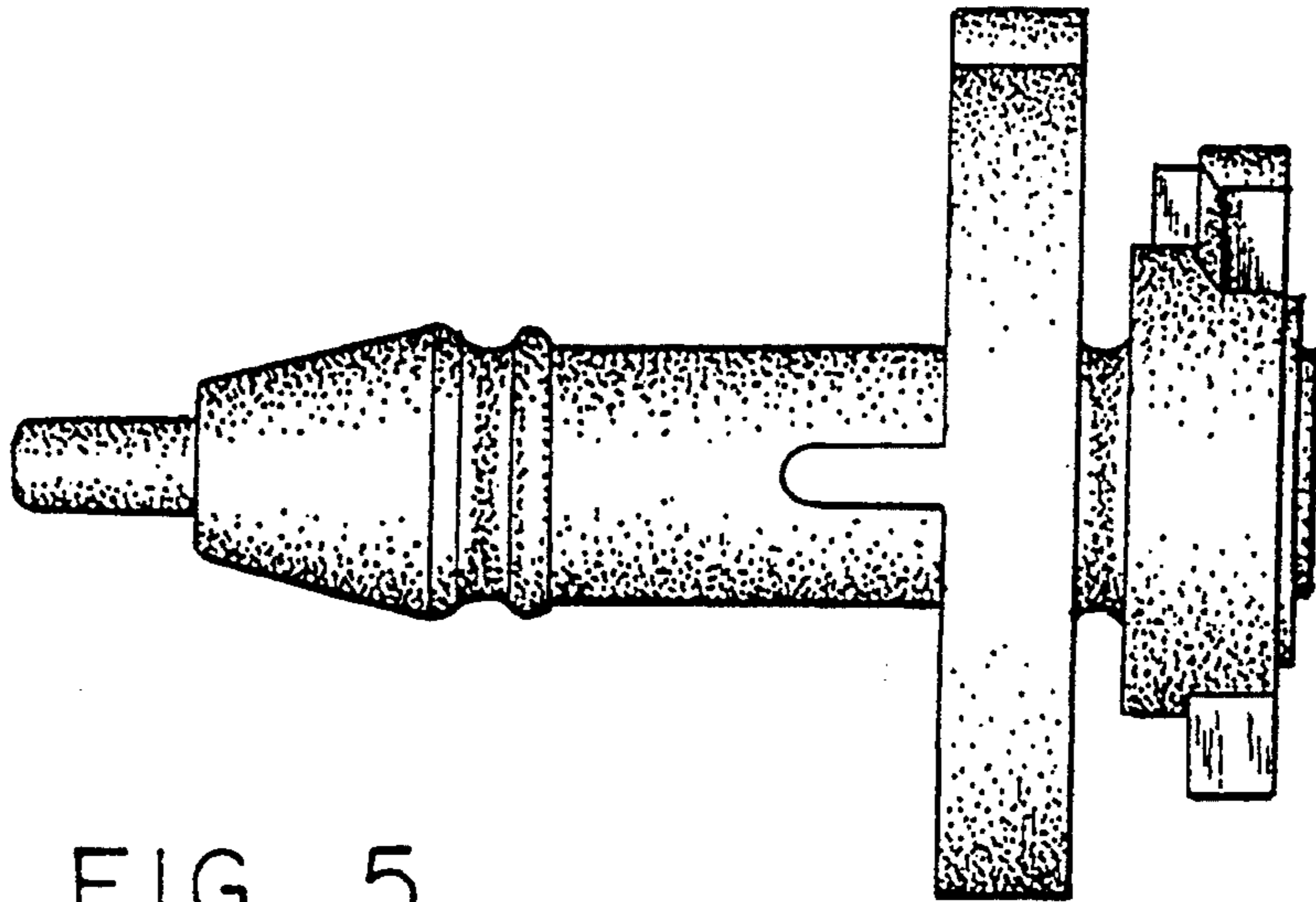


FIG. 5

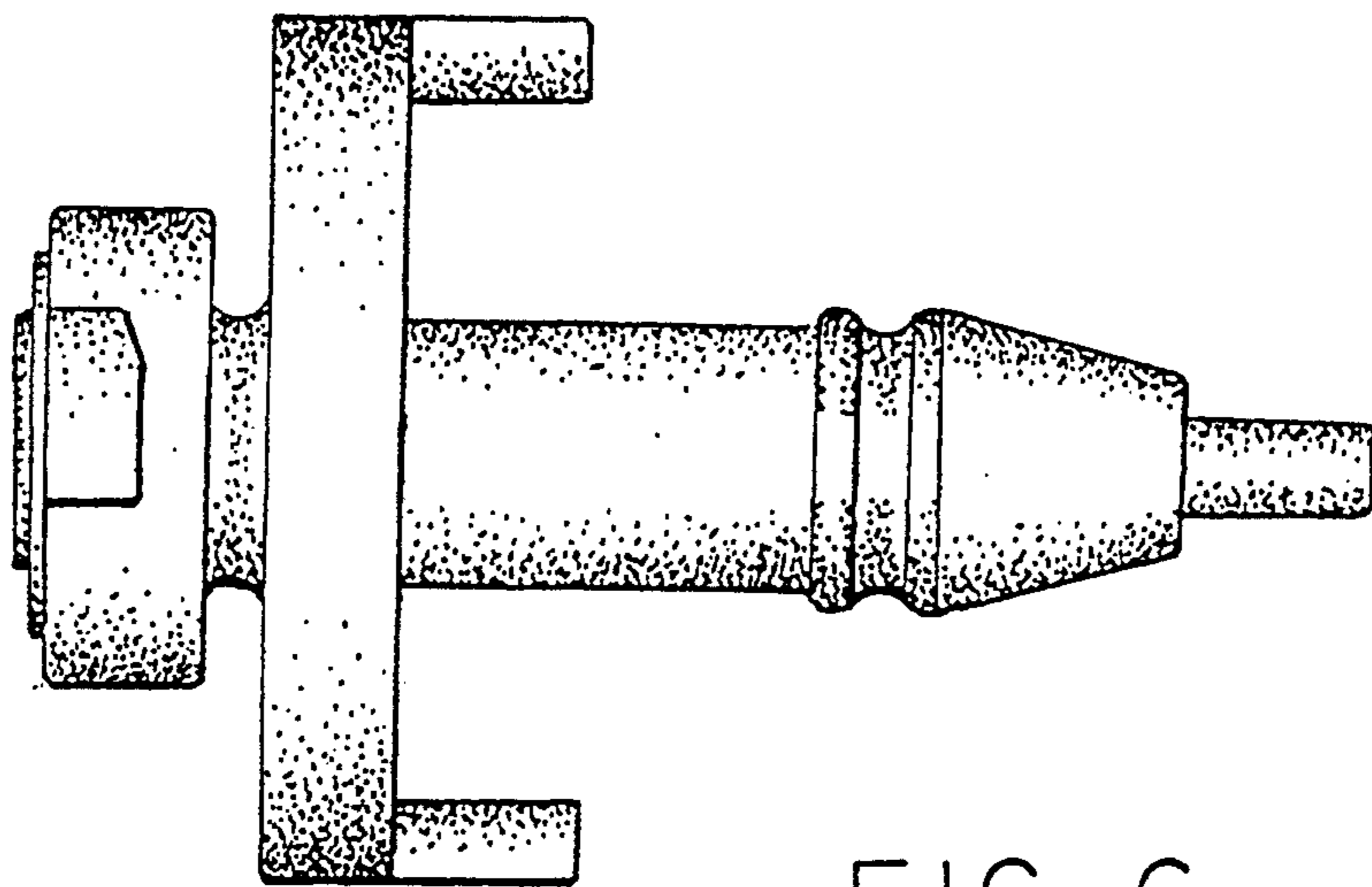


FIG. 6