



US00D354130S

United States Patent [19]

[11] Patent Number: **Des. 354,130**

Johnson

[45] Date of Patent: **** Jan. 3, 1995**

[54] **FORM FITTING CLOTH DIAPER**

D. 345,791 4/1994 Middleman D24/126
5,032,119 7/1991 Hookano 604/385.1

[76] Inventor: **Antoinette M. Johnson, Rte. 5 Box
32A, Little Falls, Minn. 56345**

Primary Examiner—Stella Reid
Attorney, Agent, or Firm—Hugh E. Smith

[**] Term: **14 Years**

[57] **CLAIM**

[21] Appl. No.: **8,249**

The ornamental design for a form fitting cloth diaper, as shown and described.

[22] Filed: **May 13, 1993**

[52] U.S. Cl. **D24/126**

[58] Field of Search **D24/124, 126;
604/358-362, 367-375, 385.1**

DESCRIPTION

[56] References Cited

U.S. PATENT DOCUMENTS

D. 343,238 1/1994 Lammon et al. D24/126
D. 343,452 1/1994 Briar et al. D24/126

FIG. 1 is a front elevational view of the form fitting cloth diaper showing my new design;
FIG. 2 is a rear elevational view thereof;
FIG. 3 is a left side elevational view thereof;
FIG. 4 is a right side elevational view thereof;
FIG. 5 is a top plan view thereof; and,
FIG. 6 is a bottom plan view thereof.

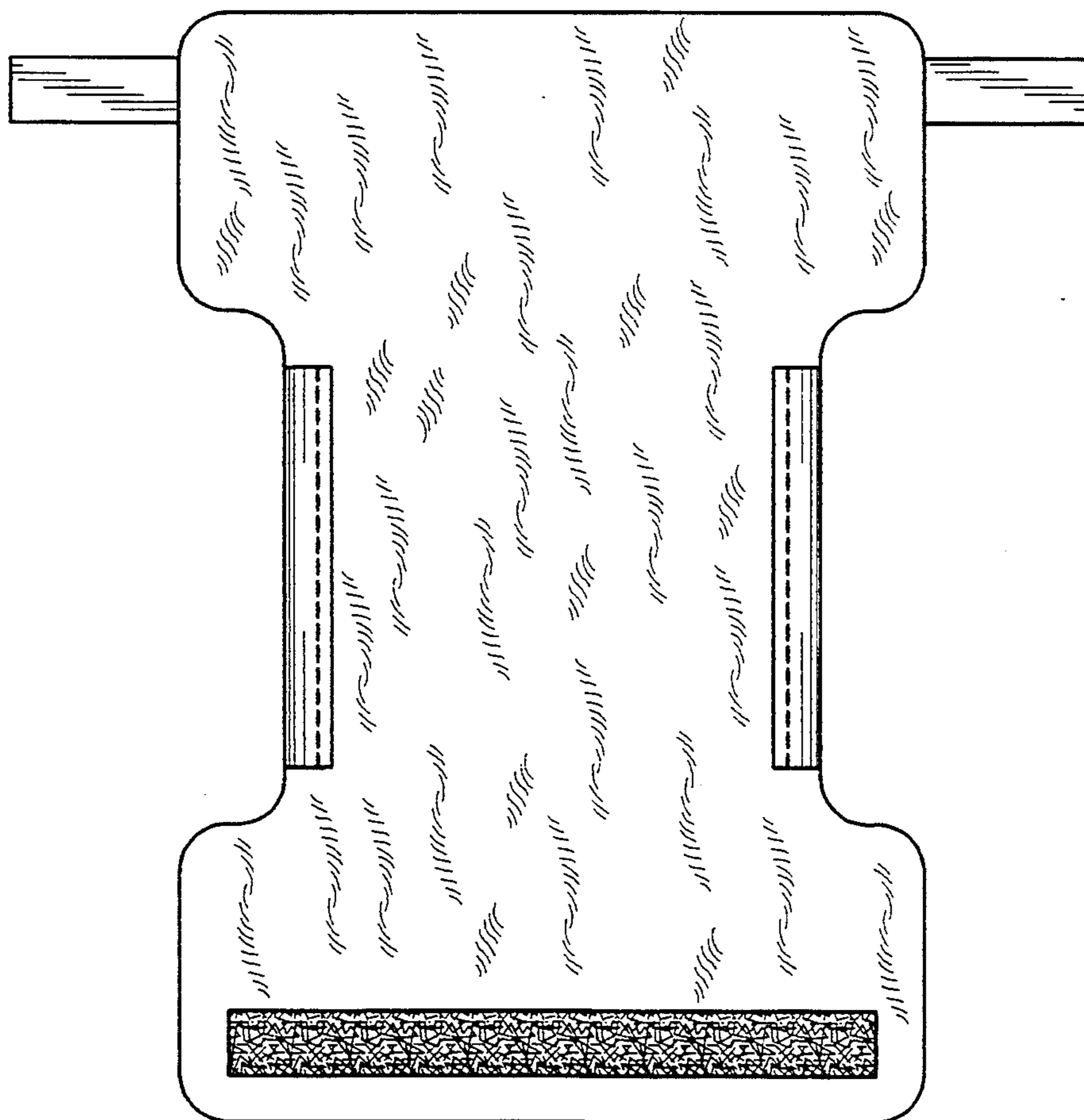


FIG. 1

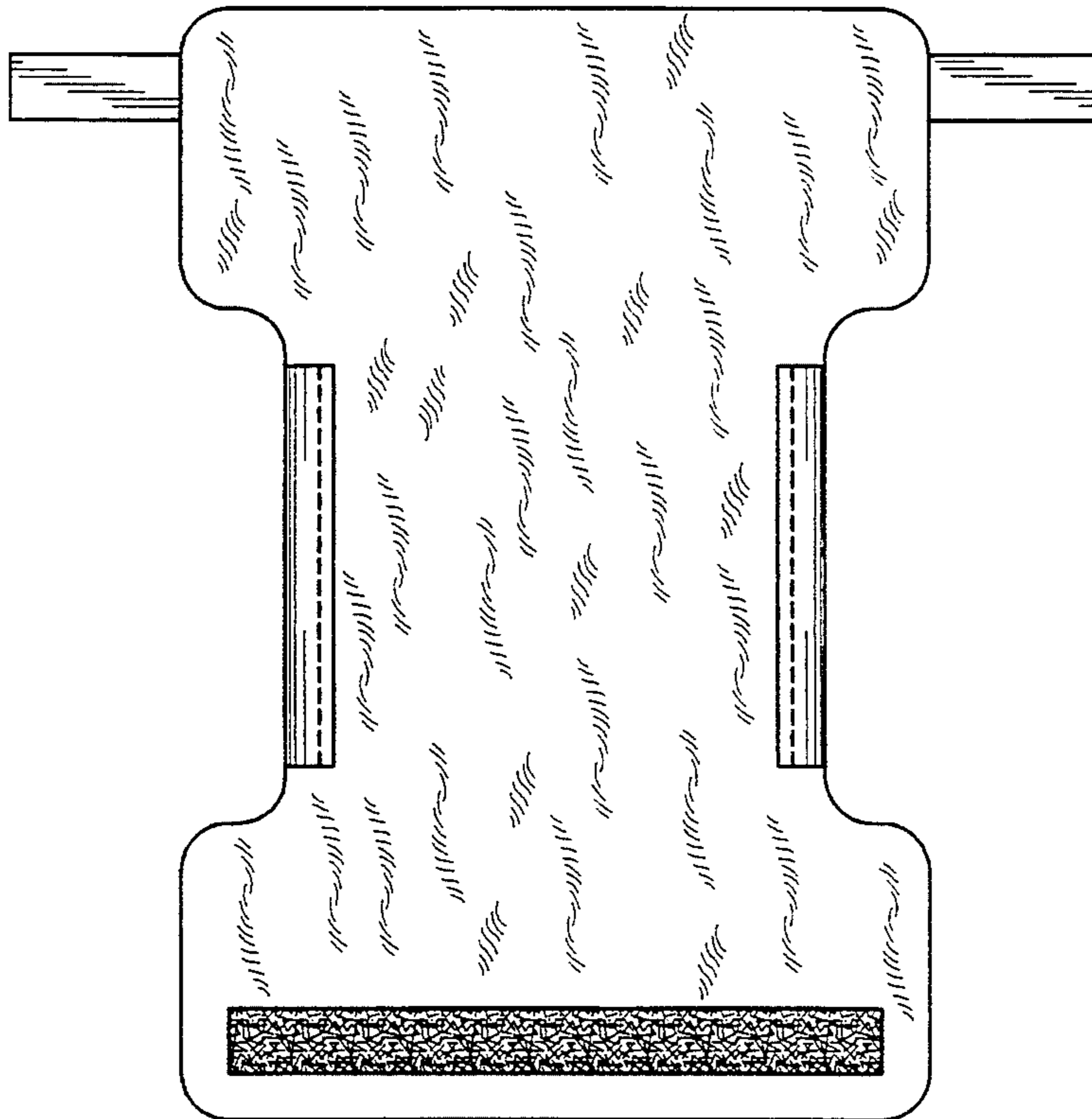


FIG. 2

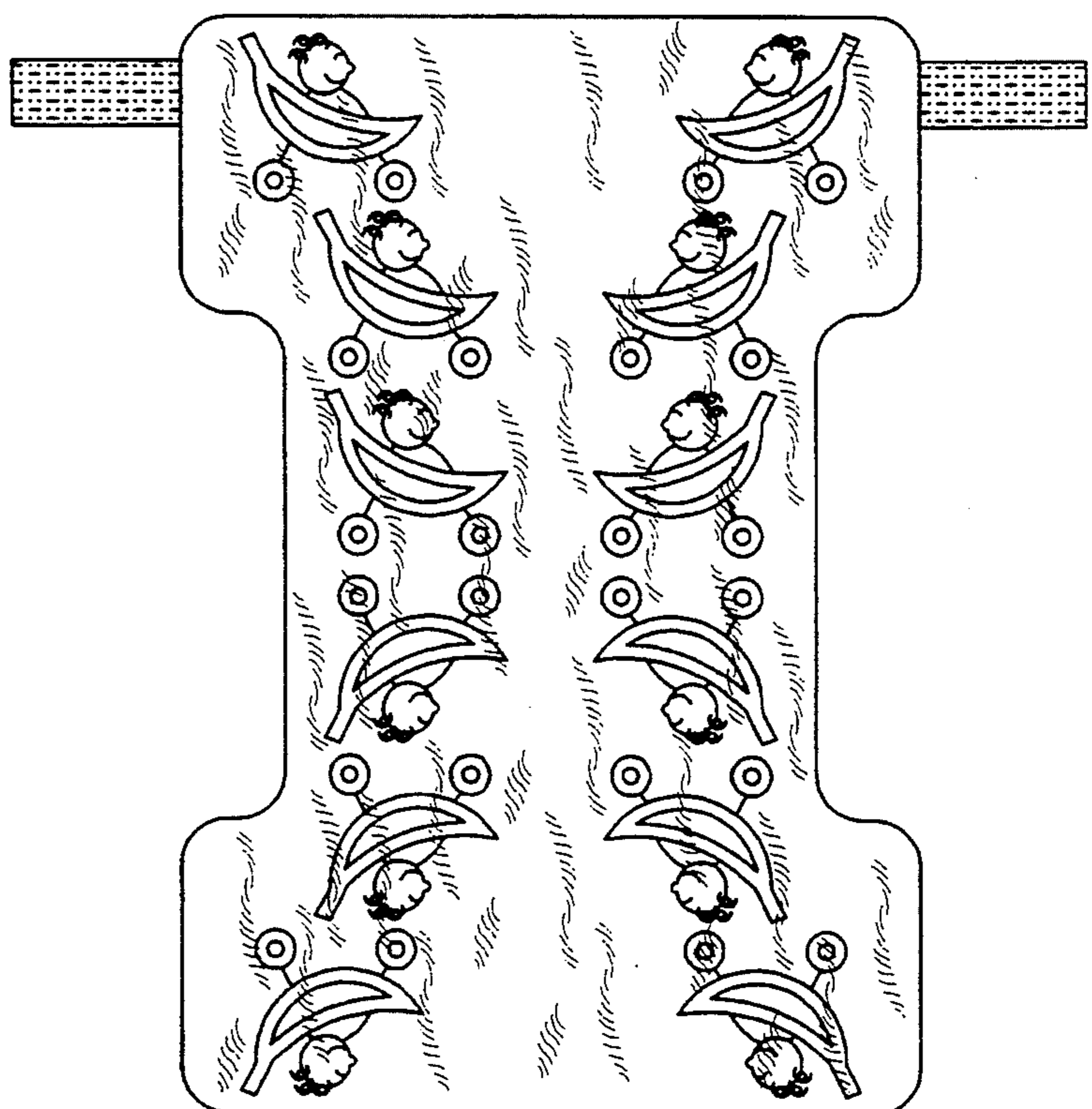


FIG. 3

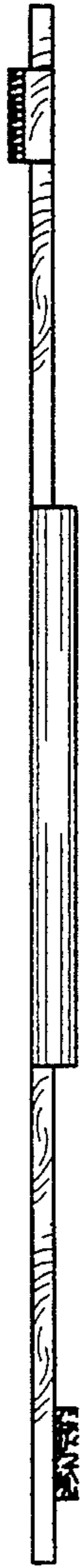


FIG. 4

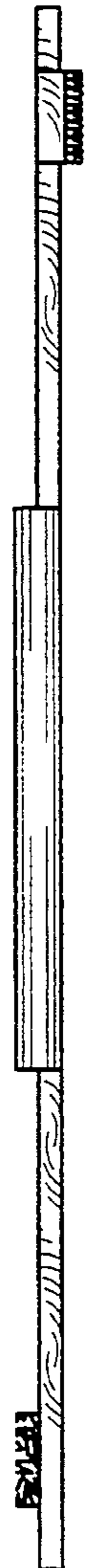


FIG. 5



FIG. 6

