



US00D354127S

United States Patent [19] Cunning

[11] Patent Number: **Des. 354,127**
[45] Date of Patent: **** Jan. 3, 1995**

[54] PORTABLE ELECTRIC FAN

[75] Inventor: **Joseph M. Cunning**, Cohasset, Mass.

[73] Assignee: **Holmes Products Corp.**, Milford, Mass.

[**] Term: **14 Years**

[21] Appl. No.: **17,077**

[22] Filed: **Jan. 3, 1994**

[52] U.S. Cl. **D23/382; D23/332**

[58] Field of Search **D23/332, 370, 328, 381, D23/382, 335, 336, 337, 411, 412; 248/676; 416/246 R; 342/365-369**

[56] **References Cited**
PUBLICATIONS

Museum of Modern Art Xmas Cat., p. 38, Desk Fan, top of page.

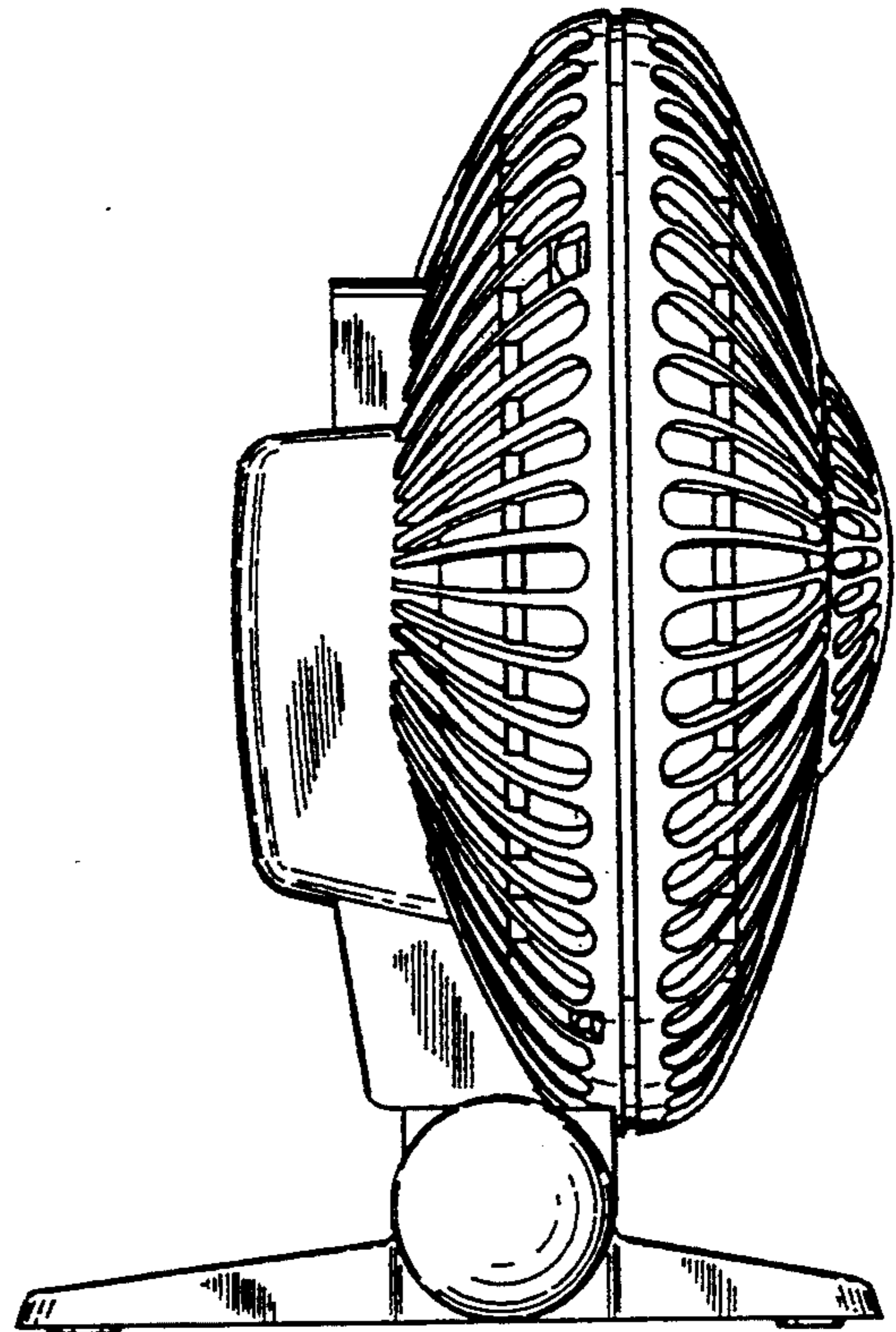
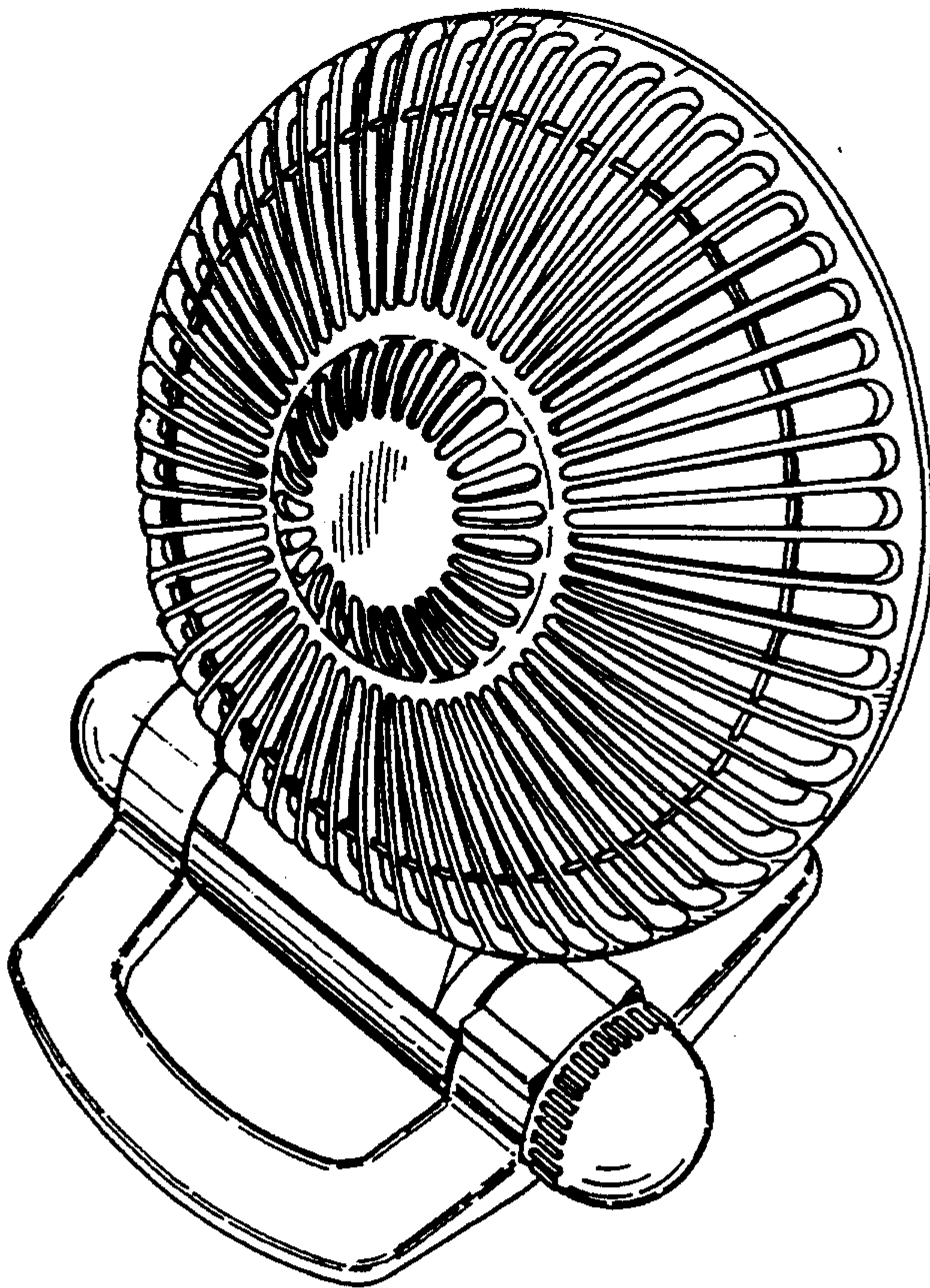
Primary Examiner—Lisa P. Lichtenstein
Attorney, Agent, or Firm—Kriegsman & Kriegsman

[57] **CLAIM**

The ornamental design for a portable electric fan, as shown.

DESCRIPTION

FIG. 1 is a front, right, top, perspective view of a portable electric fan showing my new design;
FIG. 2 is a front elevational view thereof;
FIG. 3 is a rear elevational view thereof;
FIG. 4 is a right side elevational view thereof;
FIG. 5 is a left side elevational view thereof;
FIG. 6 is a top plan view thereof; and,
FIG. 7 is a bottom plan view thereof.



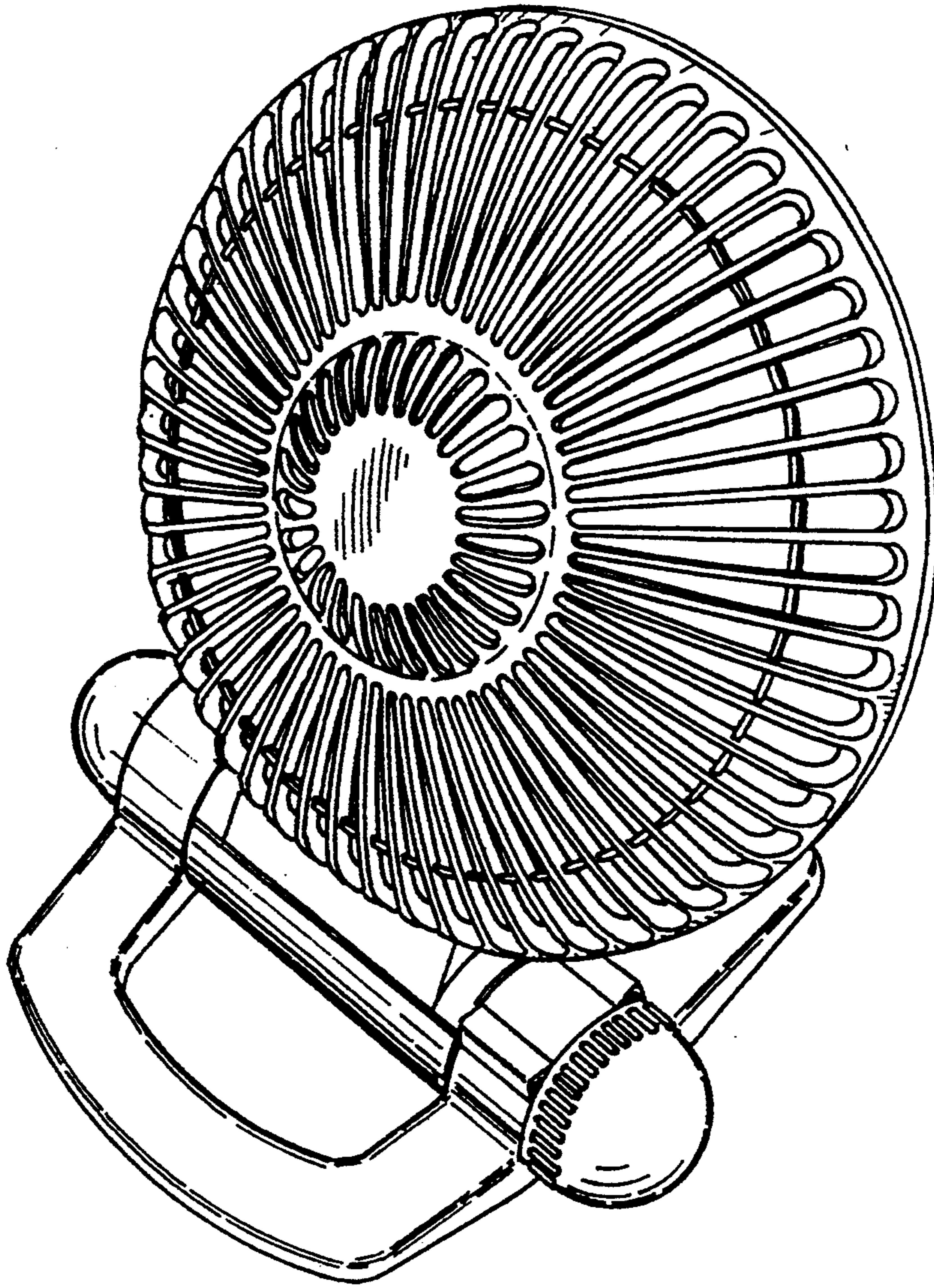


FIG. 1

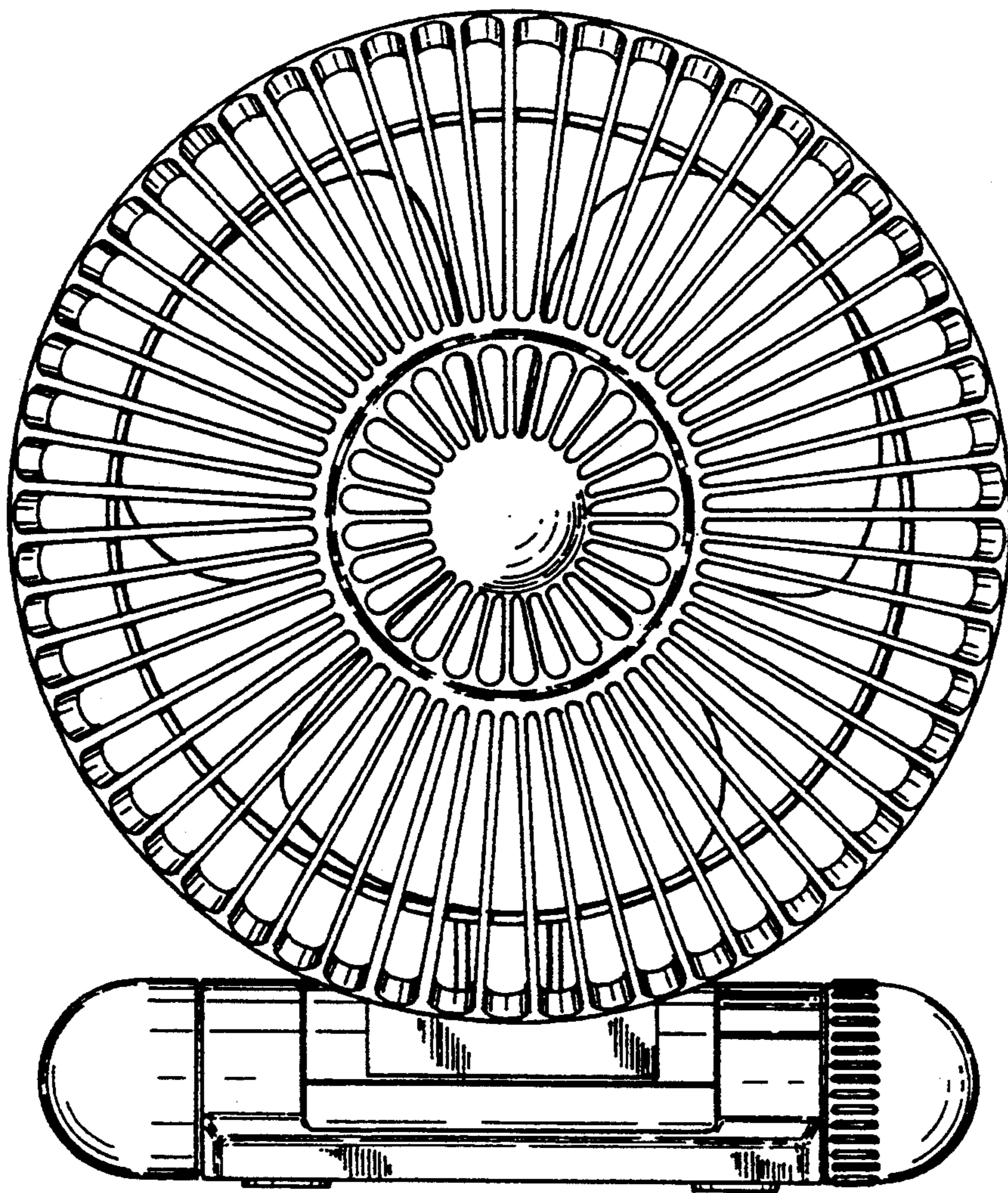


FIG. 2

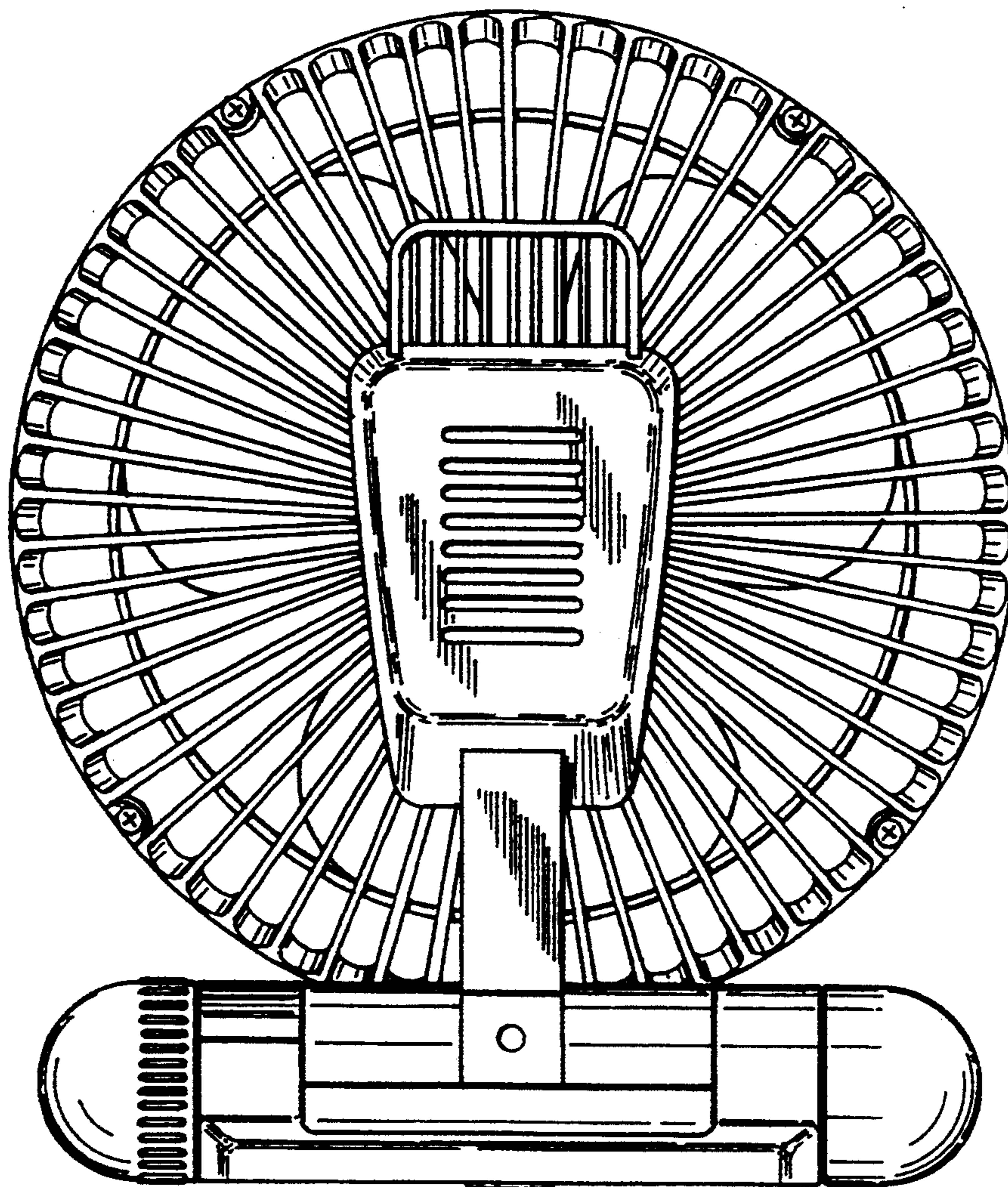


FIG. 3

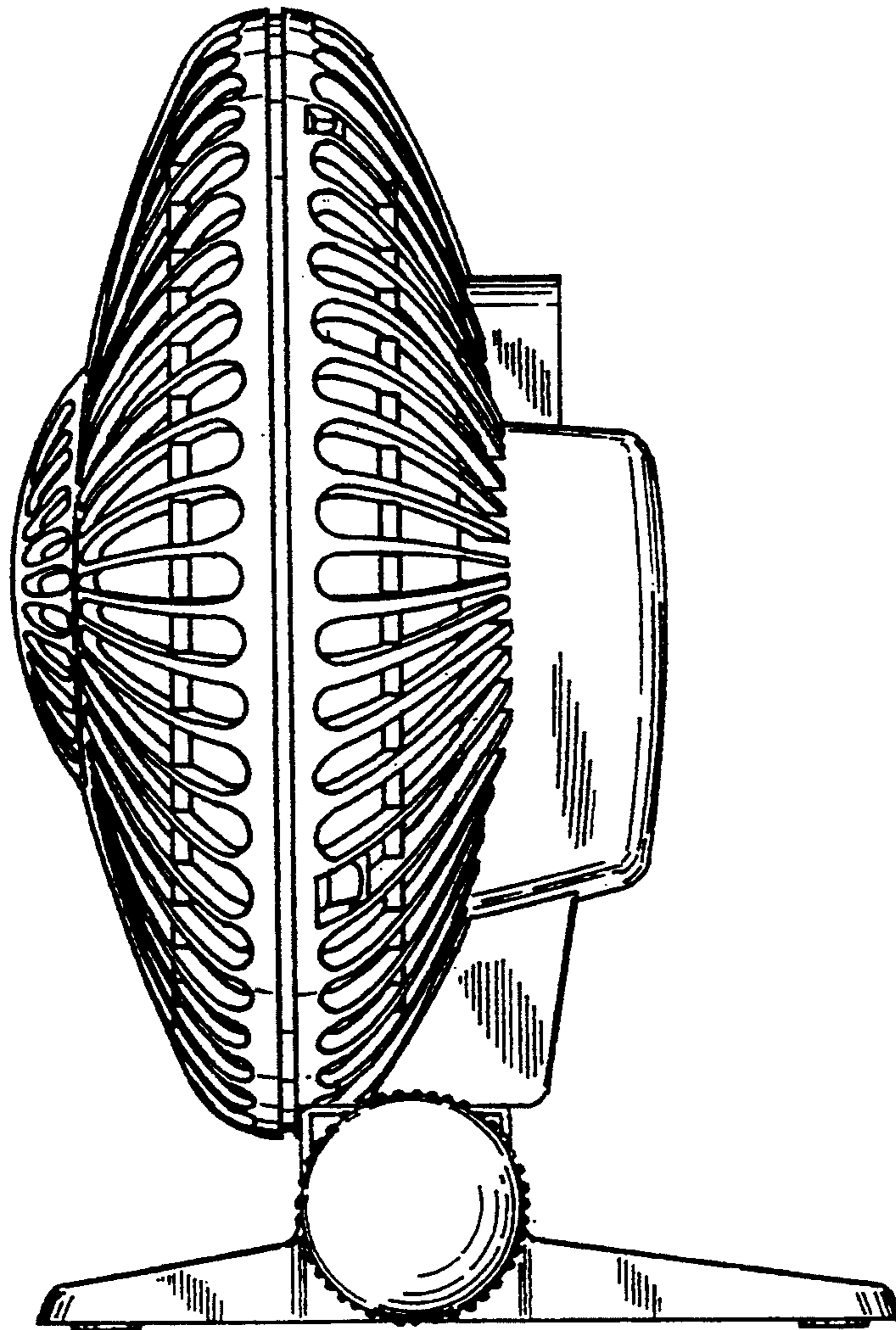


FIG. 4

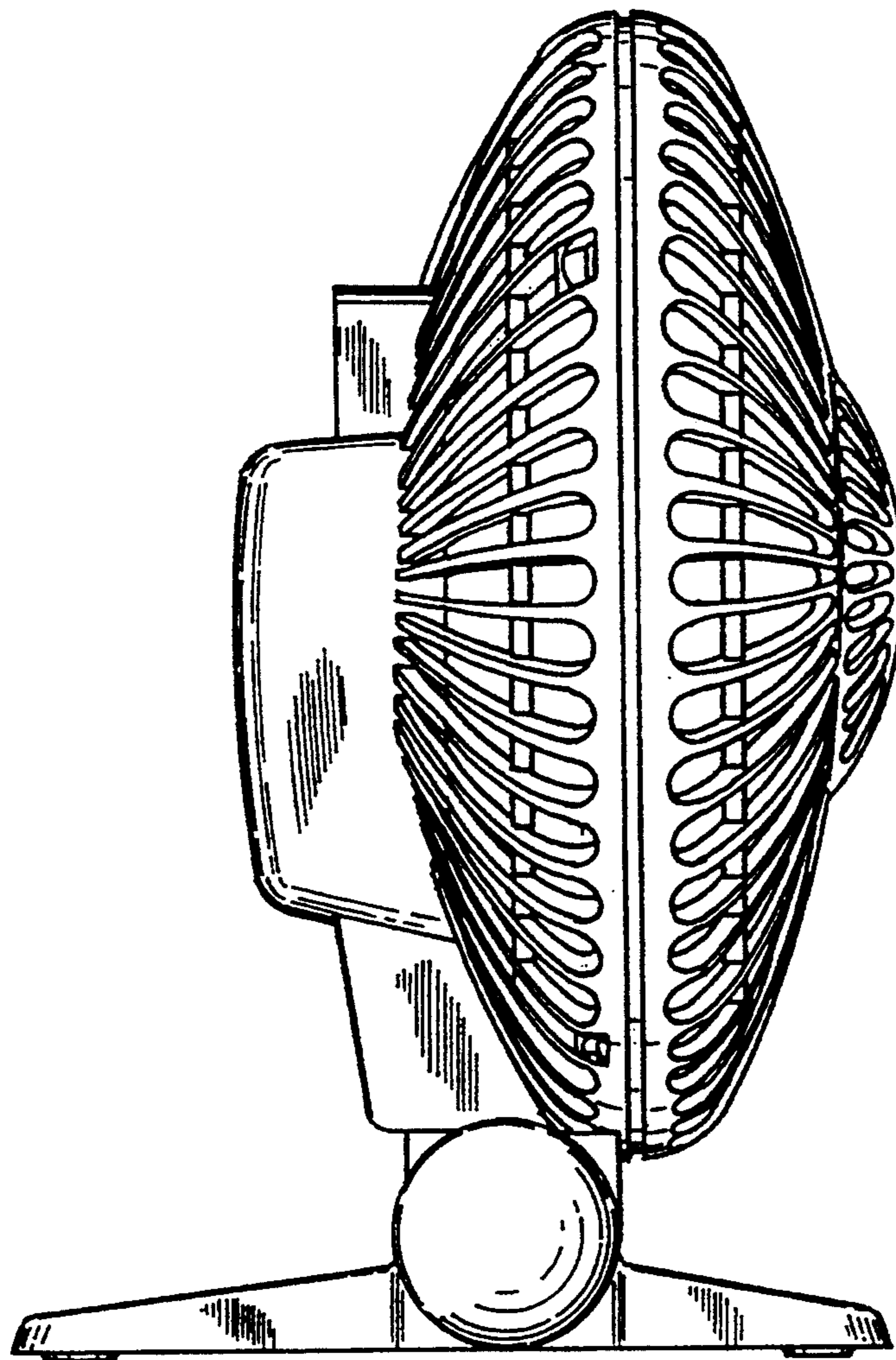


FIG. 5

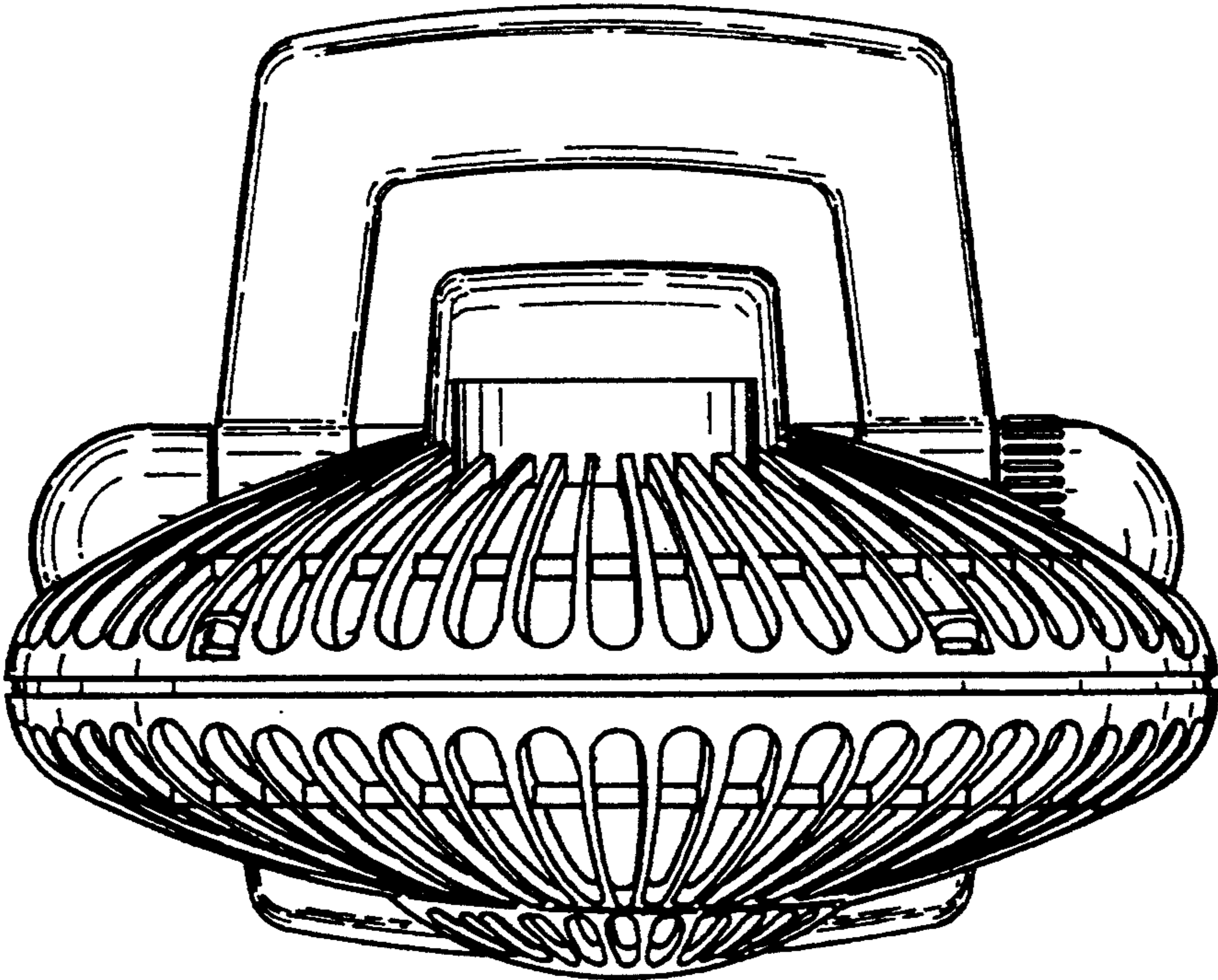


FIG. 6

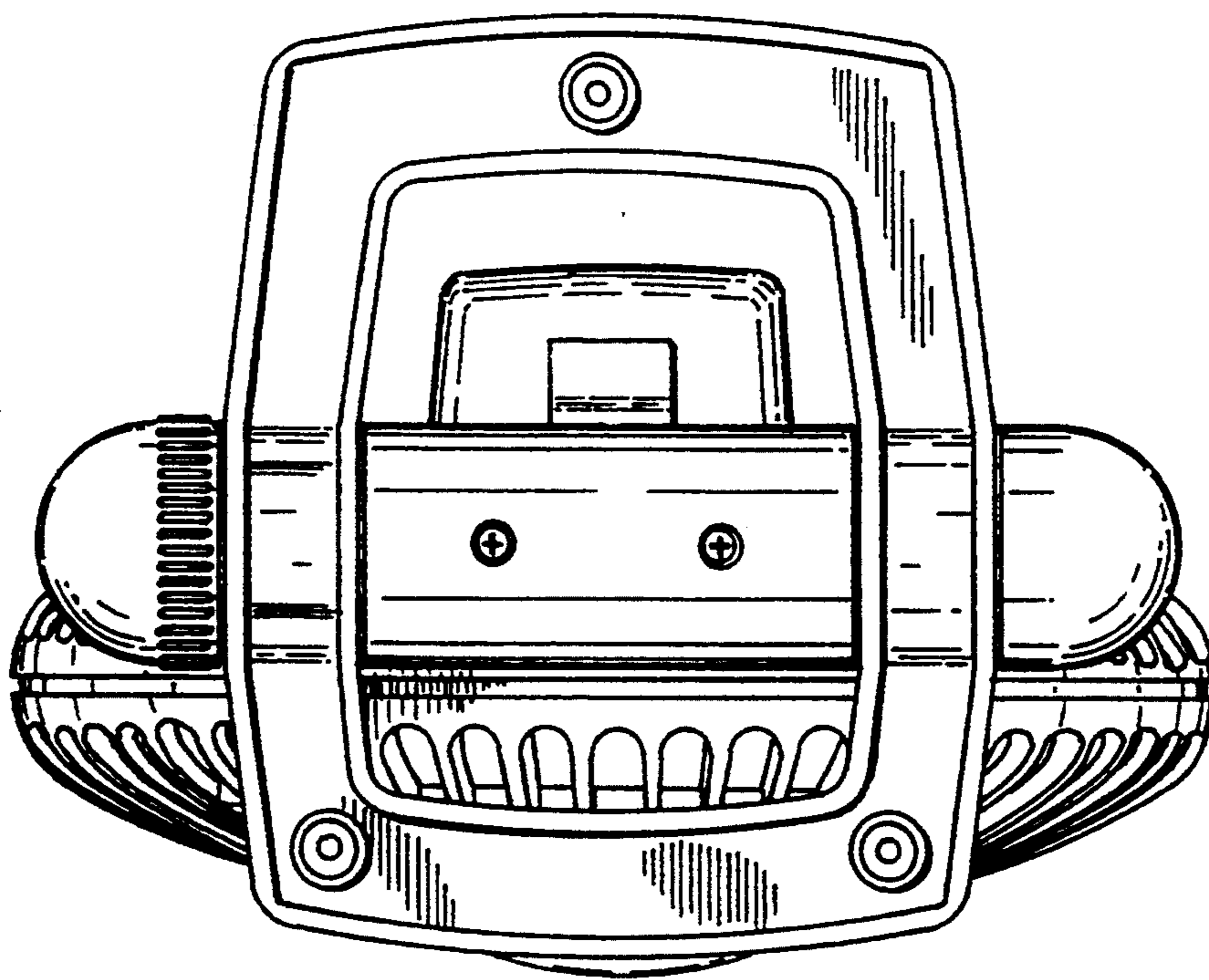


FIG. 7