



US00D354125S

United States Patent [19]

[11] Patent Number: **Des. 354,125**

Riener

[45] Date of Patent: **** Jan. 3, 1995**

[54] **OVEN IN THE SHAPE OF A FIREPLACE**

[56] **References Cited**

[75] Inventor: **Karl S. Riener**, Micheldorf, Austria

U.S. PATENT DOCUMENTS

[73] Assignee: **RIKA Metallwarengesellschaft m.b.H.**, Micheldorf, Austria

D. 241,548	9/1976	Rheingold et al.	D23/343
D. 250,539	12/1978	Twiss et al.	D23/343
D. 261,922	11/1981	Marlager et al.	D23/344
D. 265,240	6/1982	Kooles	D23/343
D. 269,203	5/1983	Wilkinson	D23/343
D. 272,176	1/1984	Chastain	D23/344
D. 288,595	3/1987	Craver	D23/344
D. 298,449	11/1988	Matte	D23/350

[**] Term: **14 Years**

Primary Examiner—Wallace R. Burke
Assistant Examiner—Robin V. Taylor
Attorney, Agent, or Firm—Collard & Roe

[21] Appl. No.: **771,955**

[22] Filed: **Oct. 7, 1991**

[57] **CLAIM**

[30] Foreign Application Priority Data

The ornamental design for an oven in the shape of a fireplace, as shown and described.

Apr. 5, 1991	[AT]	Austria	MU830/91
Apr. 5, 1991	[AT]	Austria	MU831/91
Apr. 5, 1991	[AT]	Austria	MU832/91
Apr. 5, 1991	[AT]	Austria	MU833/91
Apr. 5, 1991	[AT]	Austria	MU834/91
Apr. 5, 1991	[AT]	Austria	MU835/91
Apr. 5, 1991	[AT]	Austria	MU836/91
Apr. 5, 1991	[AT]	Austria	MU837/91

DESCRIPTION

[52] U.S. Cl. **D23/343**

FIG. 1 is a front view of an oven in the shape of a fireplace showing my new design;
FIG. 2 is a top view thereof;
FIG. 3 is a right side view thereof;
FIG. 4 is a left side view thereof;
FIG. 5 is a perspective view thereof seen from the top and the front; and,
FIG. 6 is a bottom view thereof.
The undisclosed rear is flat and unornamented.

[58] Field of Search D23/342, 343, 344, 350;
126/4, 6, 58, 60; D7/348, 349

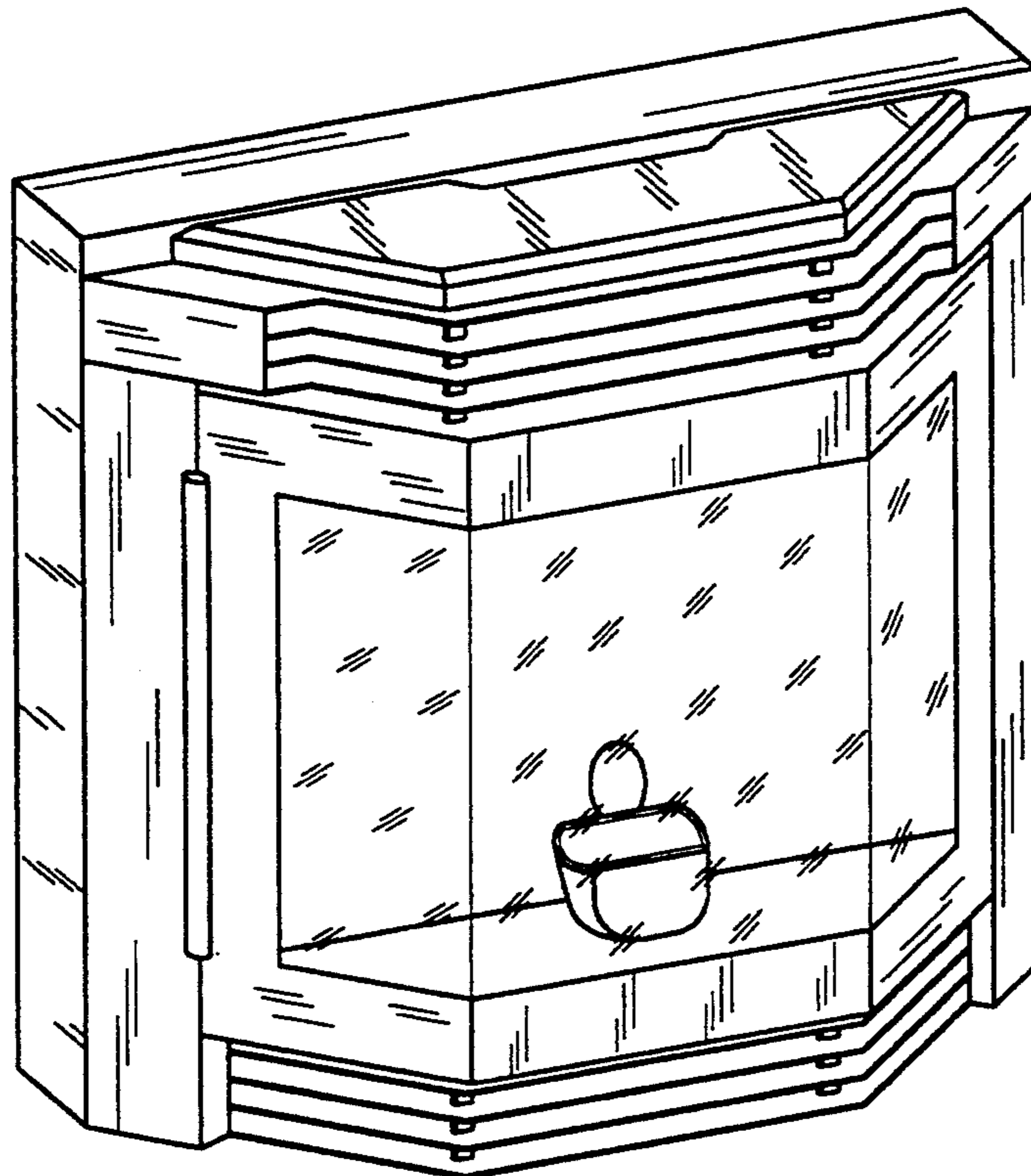


Fig.1

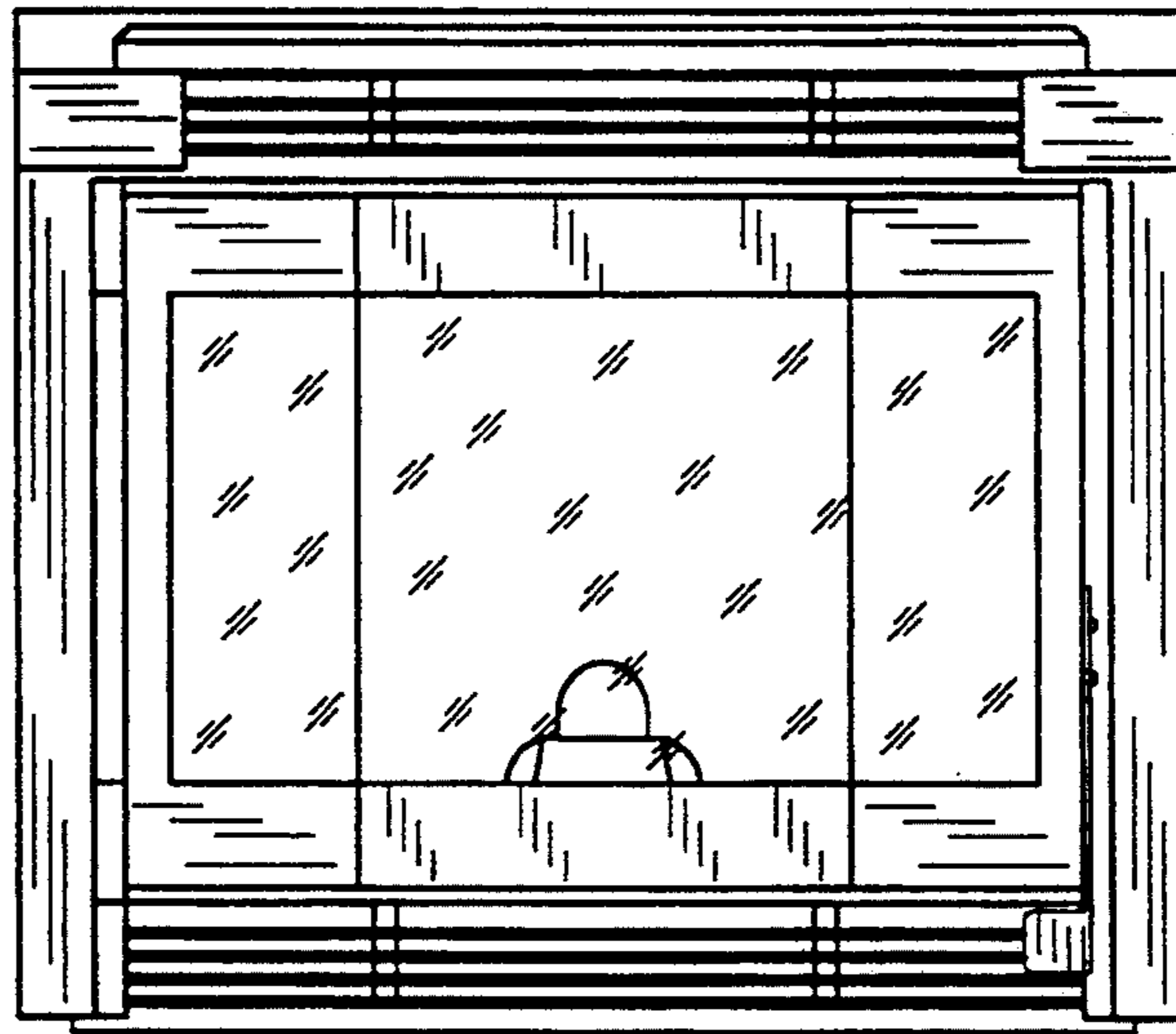


Fig.2

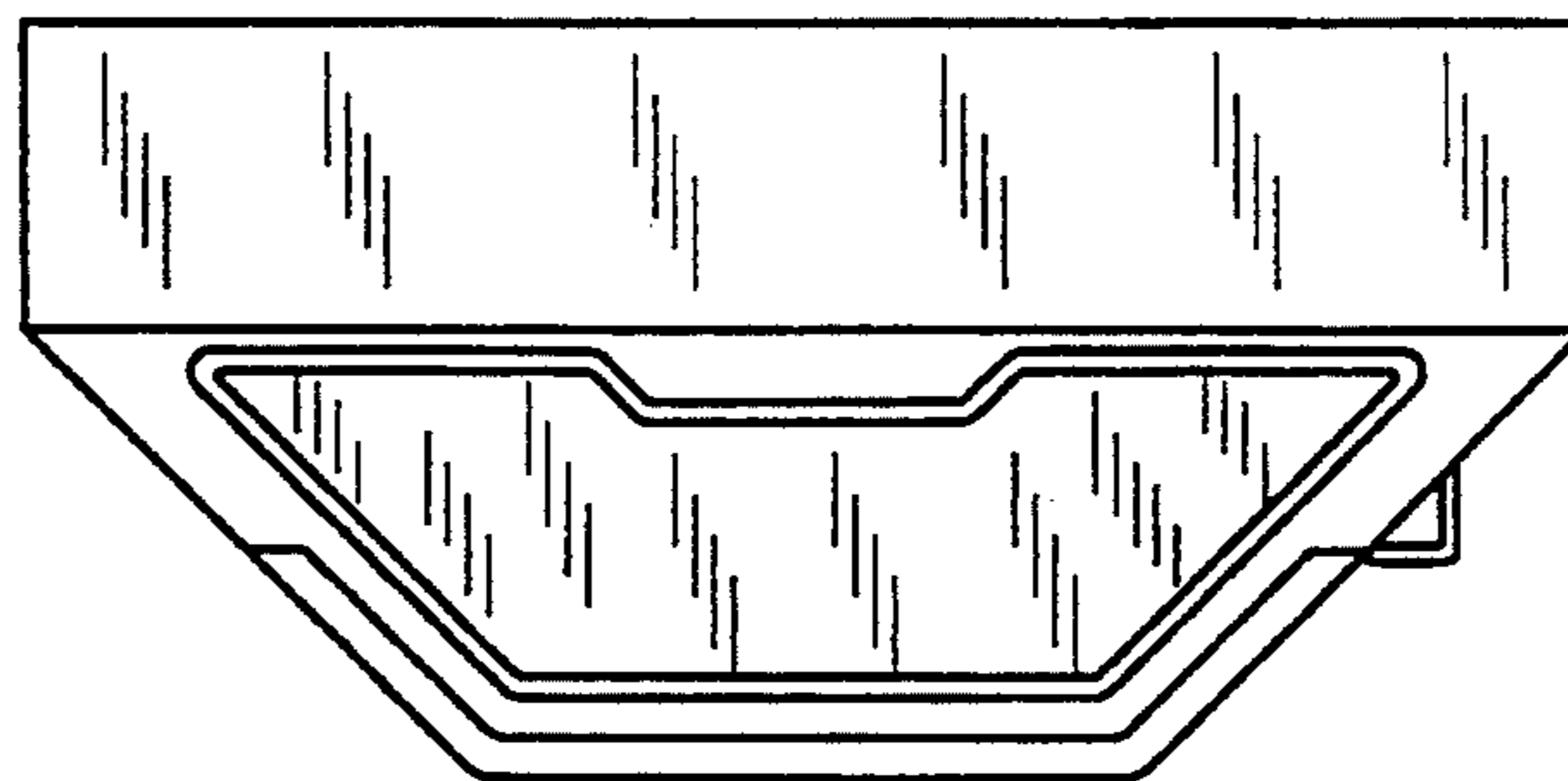


Fig.3

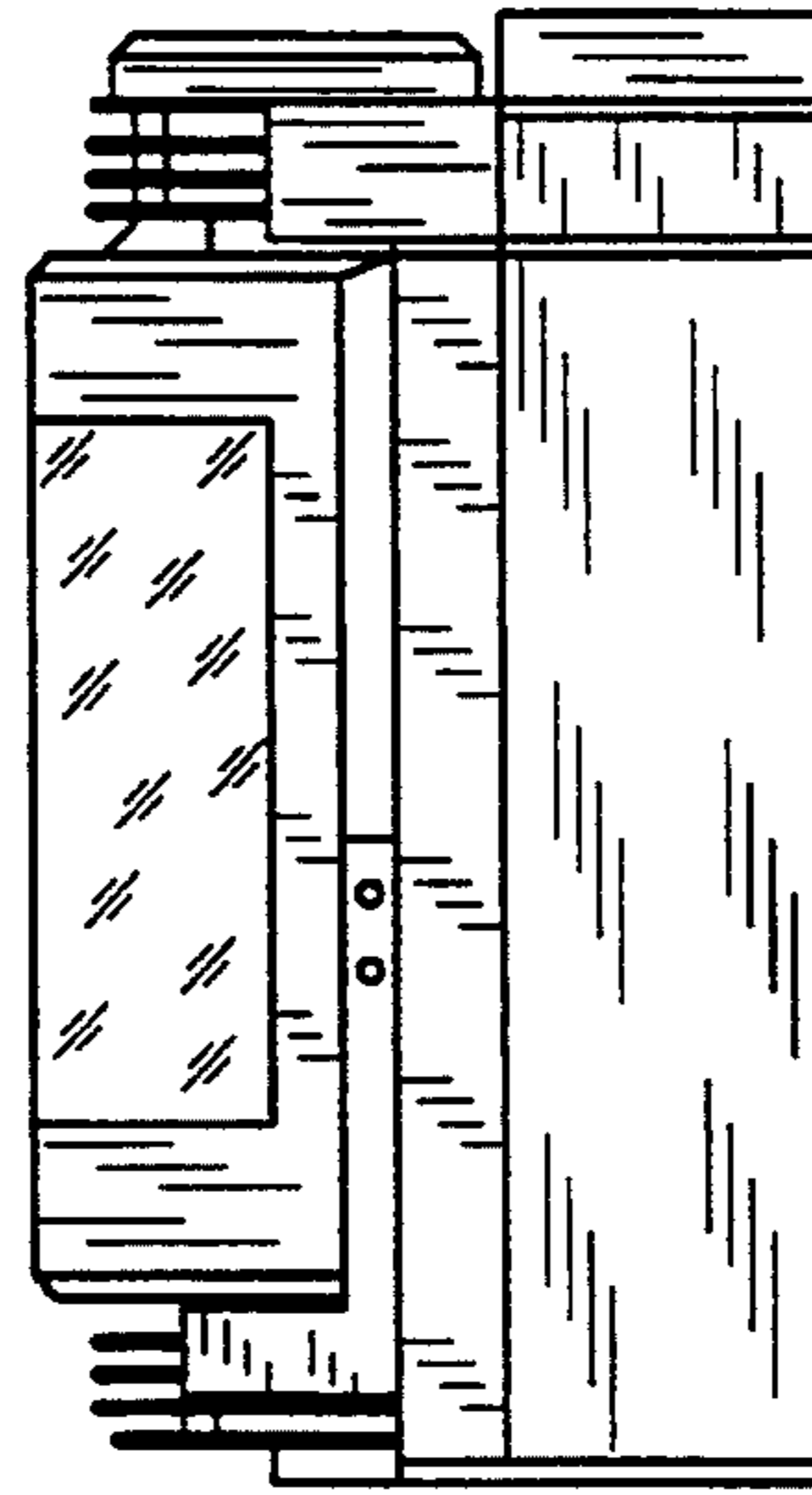


Fig.4

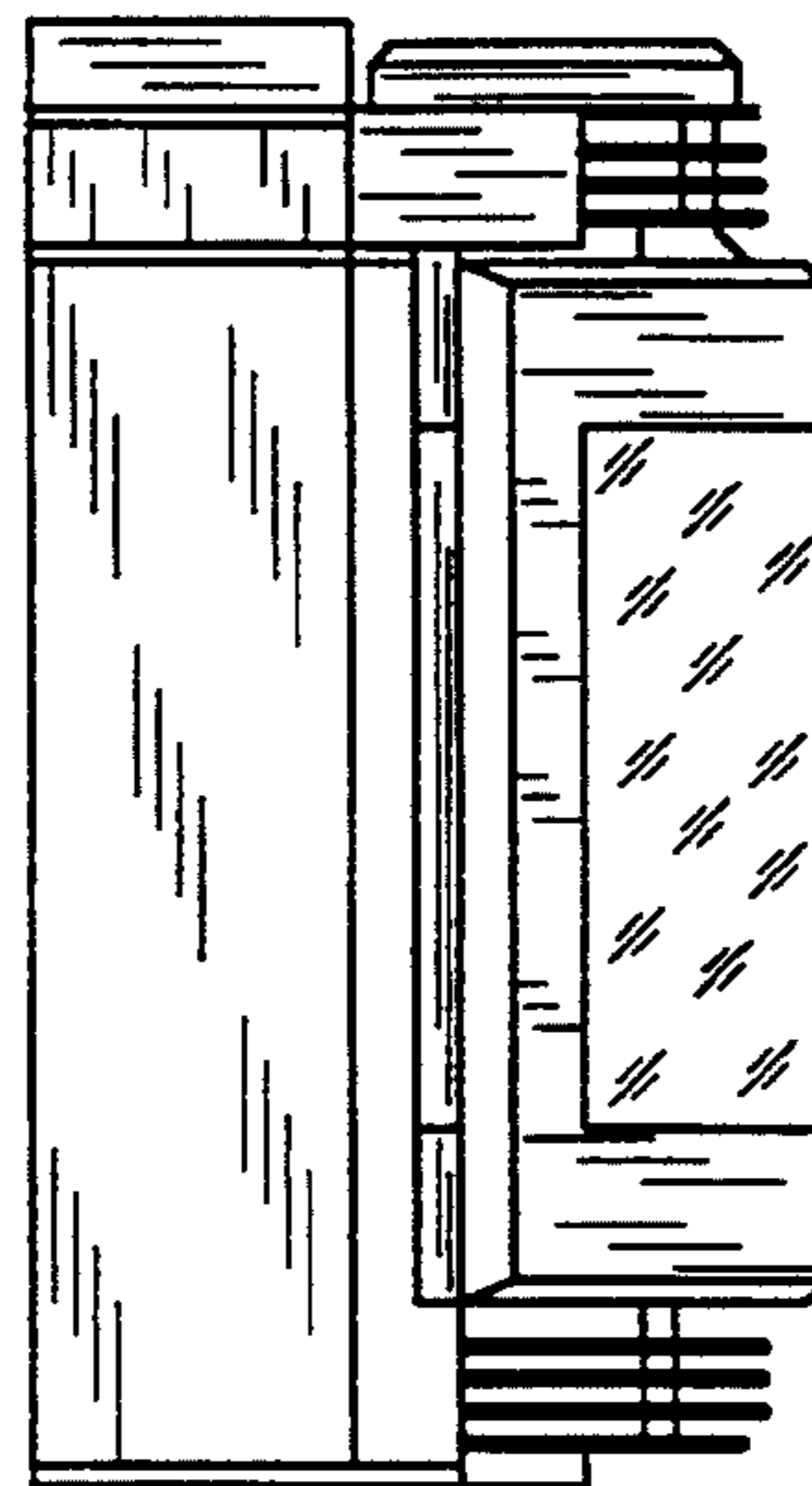


Fig.5

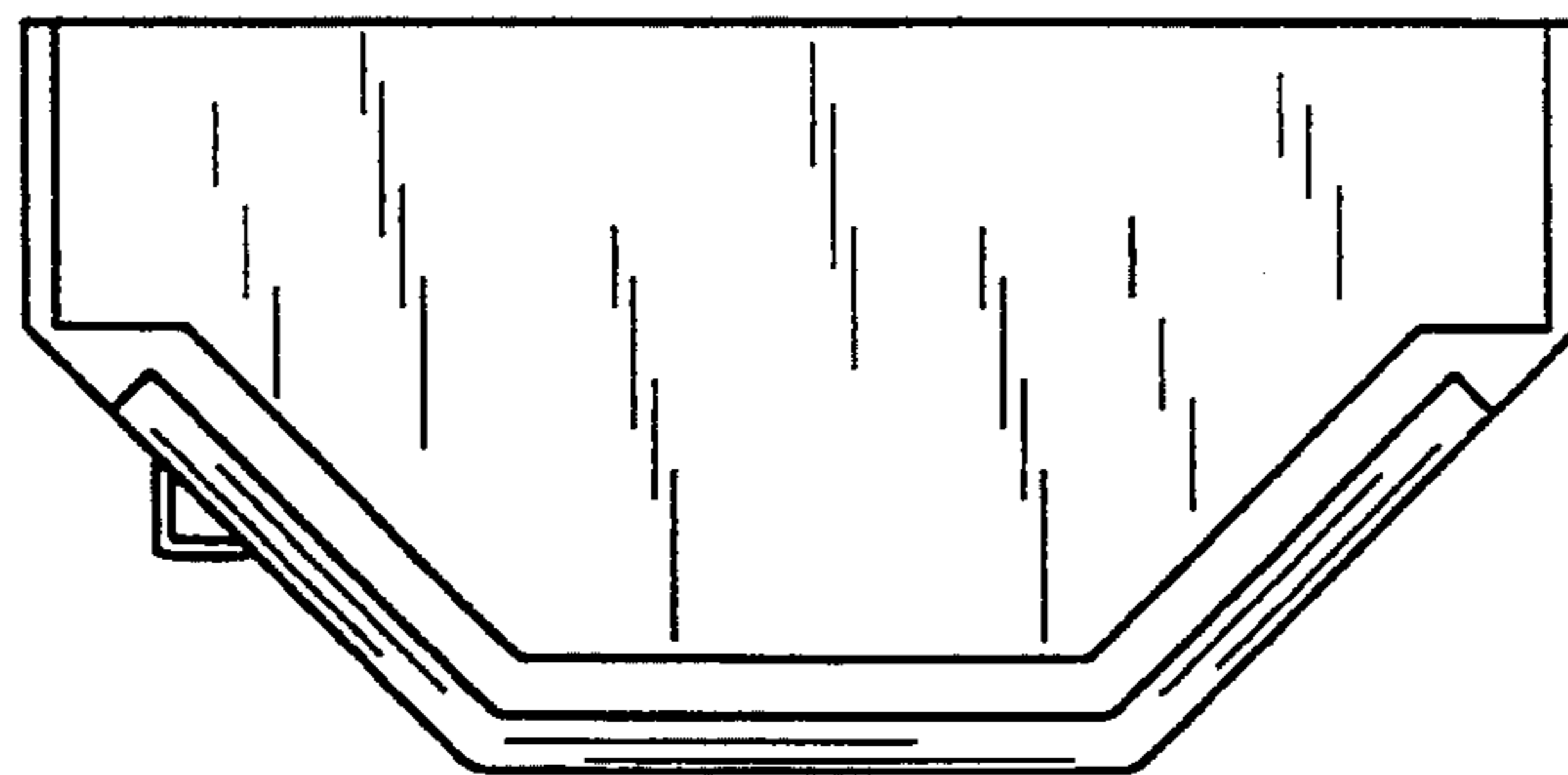
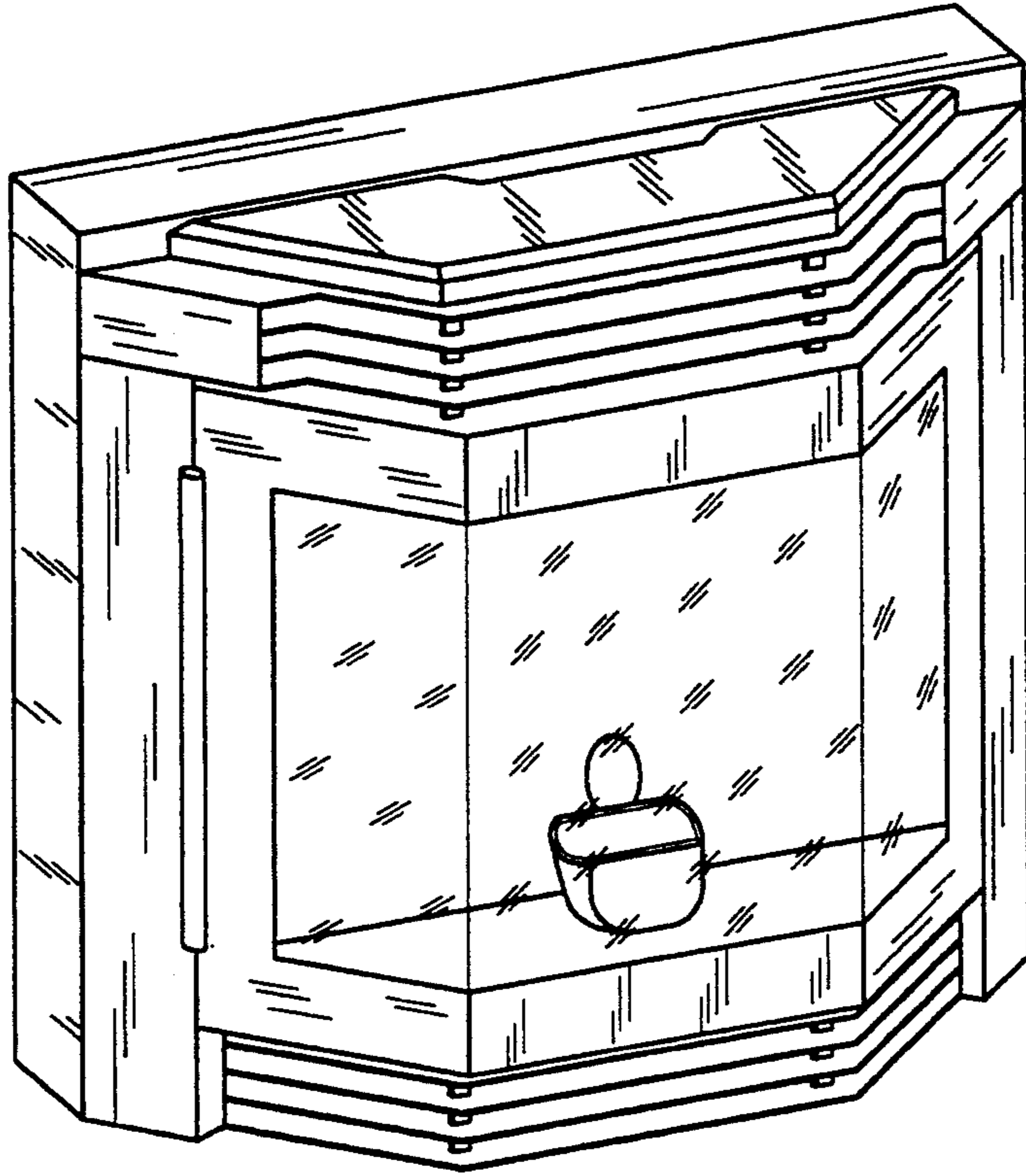


Fig.6