



US00D354123S

# United States Patent [19]

[11] Patent Number: **Des. 354,123**

Cope

[45] Date of Patent: **\*\* Jan. 3, 1995**

[54] **HEADREST**

4,998,303 3/1991 Smithers ..... 4/533  
5,239,711 8/1993 Tafur ..... 4/519 X

[76] Inventor: **Cheryl T. Cope**, 4441 Old Poole Rd.,  
Lot #8, Raleigh, N.C. 27610

*Primary Examiner*—A. Hugo Word  
*Assistant Examiner*—Eric Watterson  
*Attorney, Agent, or Firm*—Rhodes & Ascolillo

[\*\*] Term: **14 Years**

[21] Appl. No.: **5,802**

[57] **CLAIM**

[22] Filed: **Mar. 11, 1993**

The ornamental design for a headrest, as shown and described.

[52] U.S. Cl. .... **D23/308**

[58] Field of Search ..... D23/308, 309, 260, 261;  
4/652, 654, 656, 658, 661, 515, 516, 517, 518,  
519, 520, 521, 522, 523; D7/667

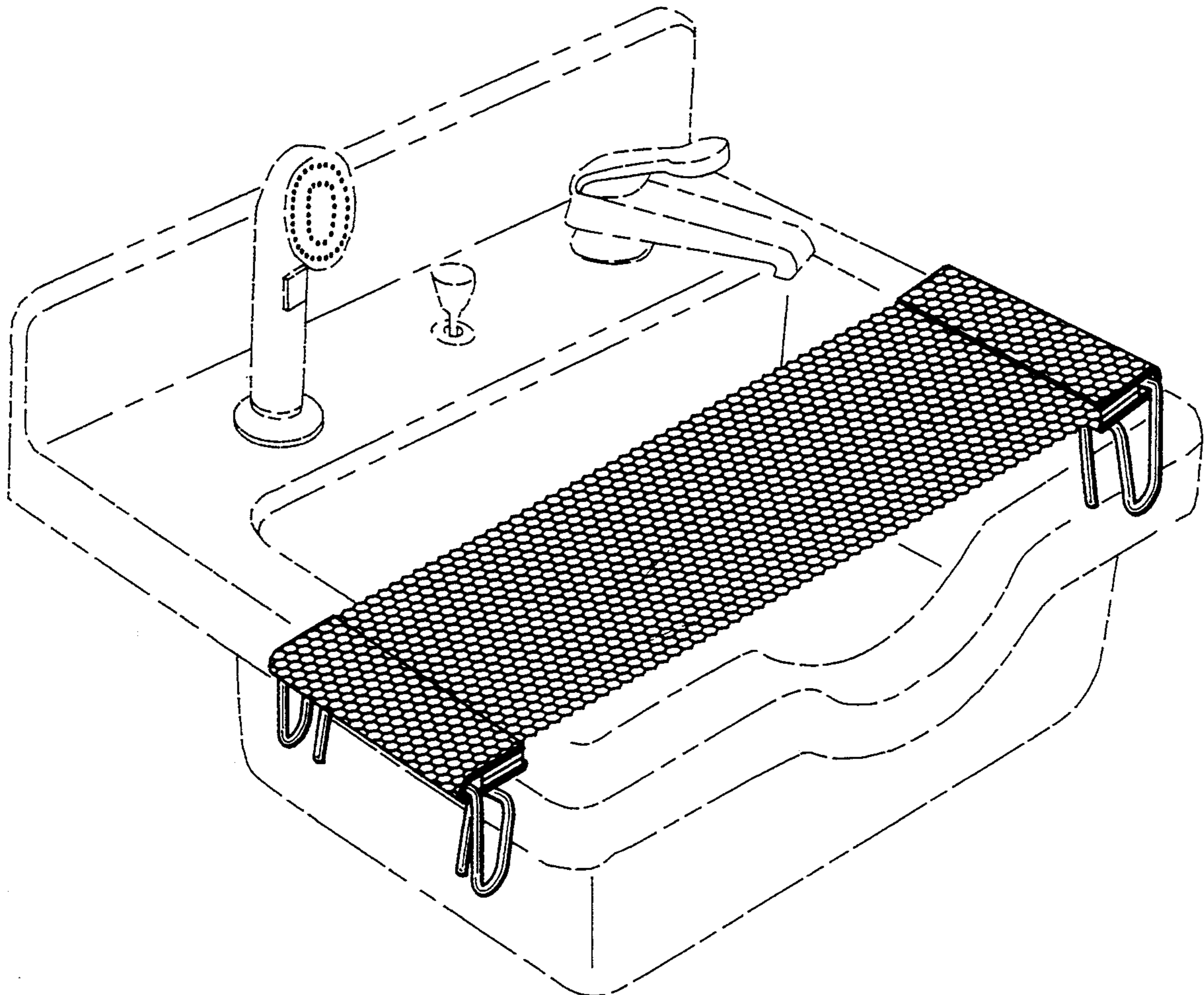
**DESCRIPTION**

[56] **References Cited**

**U.S. PATENT DOCUMENTS**

1,817,625 4/1930 Holmes ..... 4/520  
1,868,598 7/1932 Gower ..... 4/518  
2,045,965 6/1936 Rosen ..... 4/654  
2,527,868 10/1950 Wilson ..... 4/523 X  
4,351,073 9/1982 Elsas ..... 4/661 X

FIG. 1 is a perspective view of the invention, the broken lines shown are for illustrative purposes only and form no part of the claimed invention;  
FIG. 2 is a front elevational view of the invention;  
FIG. 3 is a plan view of the invention;  
FIG. 4 is a right elevational view of the invention;  
FIG. 5 is a rear elevational view of the invention;  
FIG. 6 is a bottom plan view of the invention; and,  
FIG. 7 is a left side elevational view of the invention.



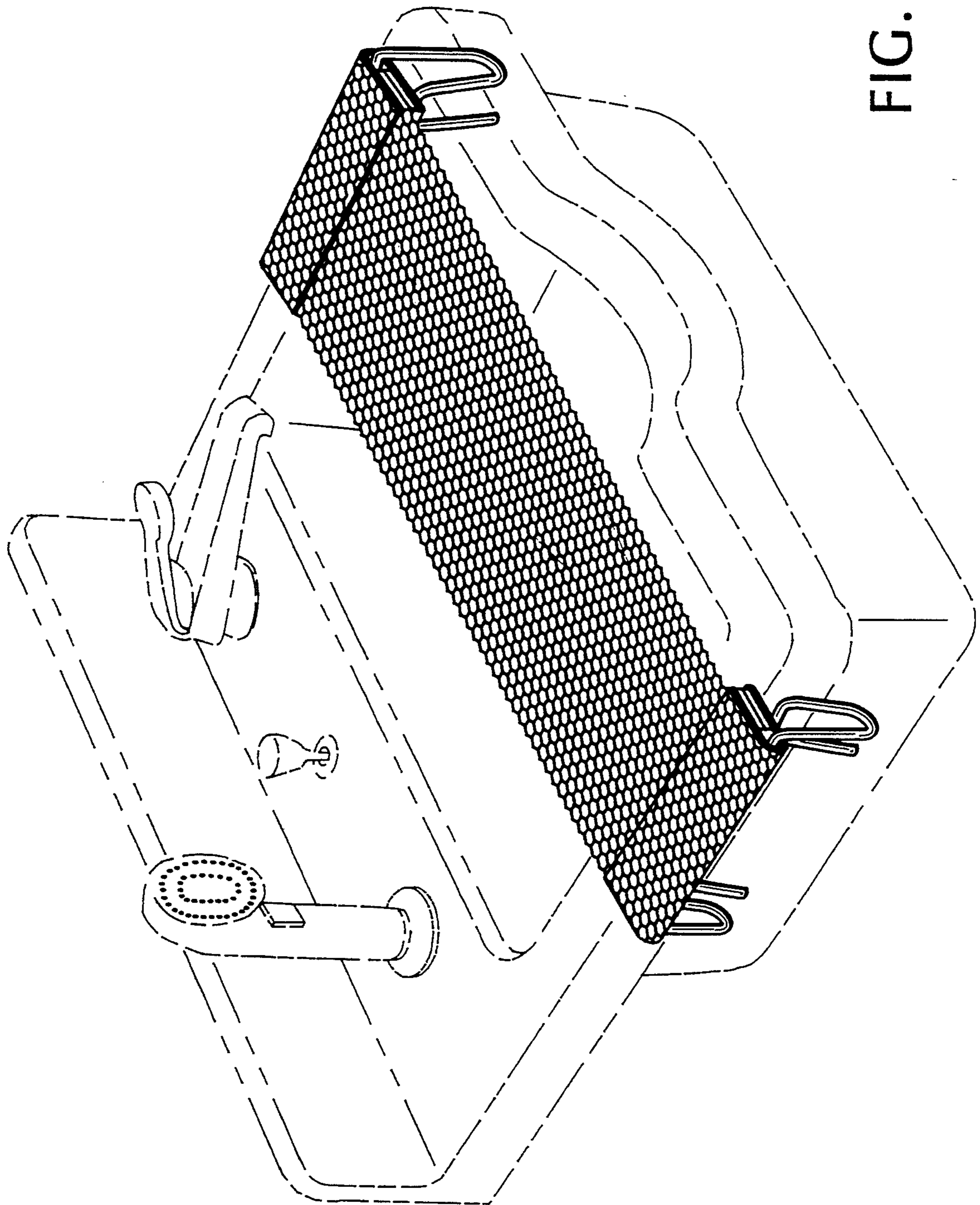


FIG. 1

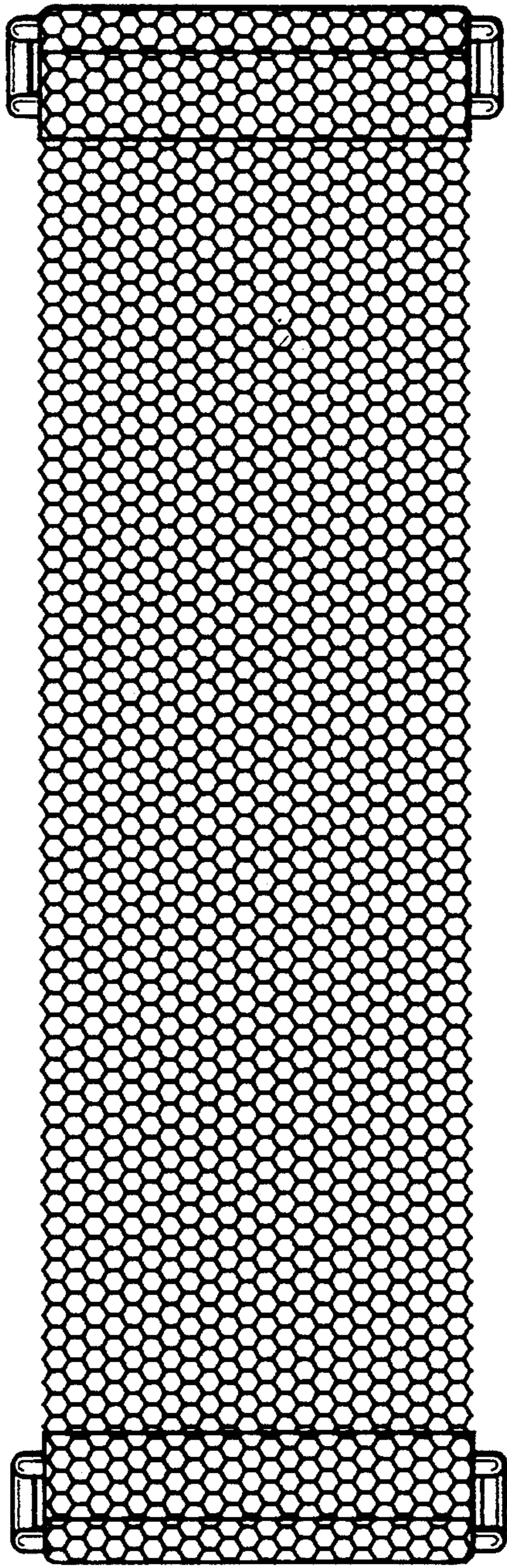


FIG. 3



FIG. 2

FIG. 4



FIG. 5

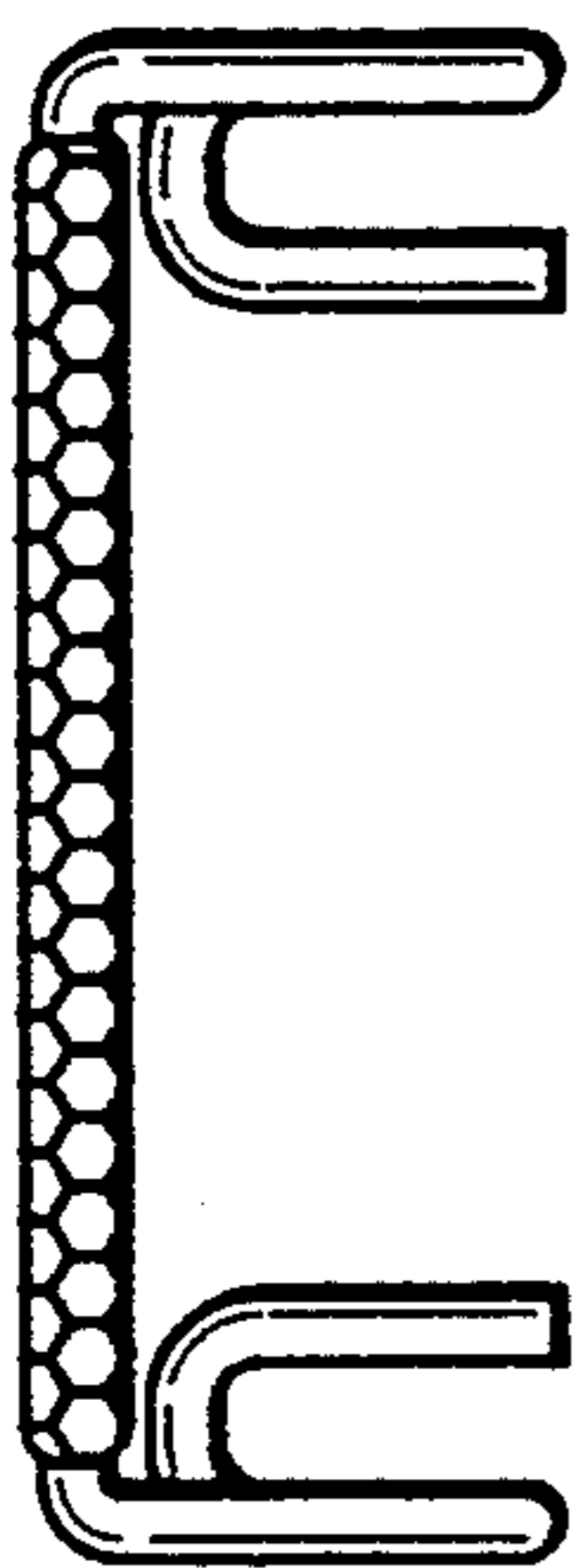


FIG. 7

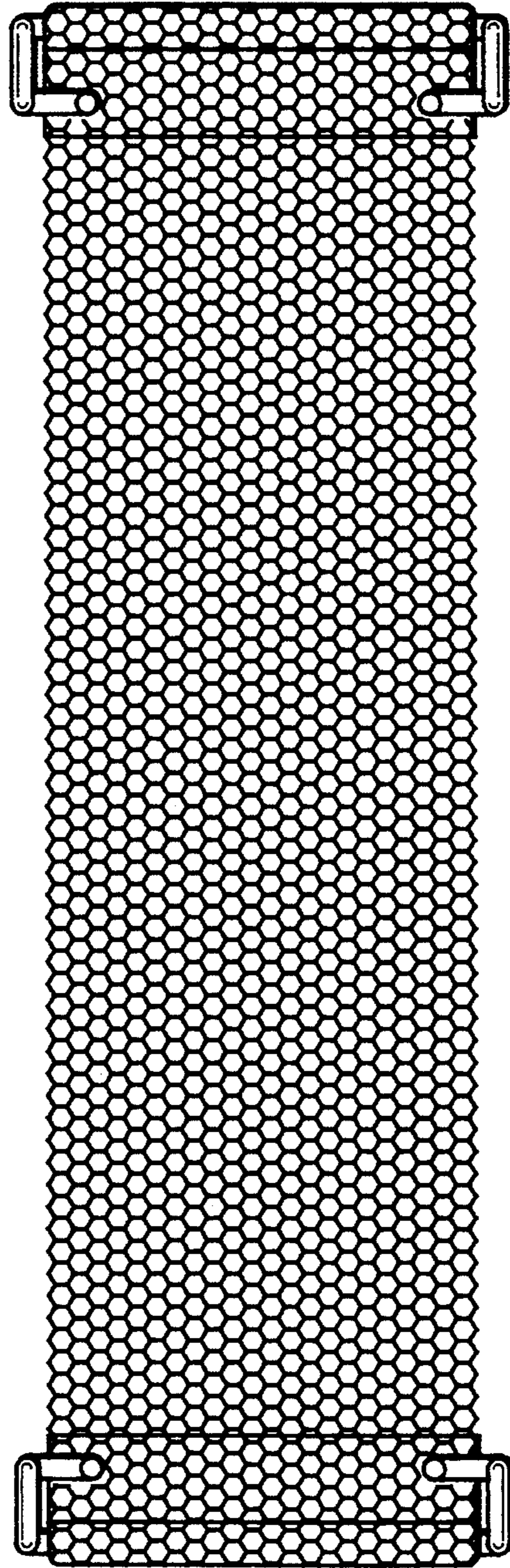


FIG. 6