



US00D354119S

United States Patent [19] Hauser, II

[11] Patent Number: **Des. 354,119**
[45] Date of Patent: *** Jan. 3, 1995**

[54] SINK
[75] Inventor: **Jon W. Hauser, II**, Geneva, Ill.
[73] Assignee: **Elkay Manufacturing Company**, Oak Brook, Ill.
[*] Notice: The portion of the term of this patent subsequent to Dec. 27, 2008 has been disclaimed.
[**] Term: **14 Years**
[21] Appl. No.: **926,821**
[22] Filed: **Aug. 7, 1992**
[52] U.S. Cl. **D23/284**
[58] Field of Search **D23/284-294;**
4/619, 630, 639, 640, 642, 643, 644, 646, 647,
648-650

2,194,343 3/1940 Wexler .
2,334,293 11/1943 Stein .
2,447,788 8/1948 Ball .
2,498,502 2/1950 O'Brien .
4,456,021 6/1984 Levens .

OTHER PUBLICATIONS

Elkay Product Catalog CSP-6, Elkay Manufacturing Company, Copyright 1991, p. 8, illustrating Sink Model No. LCGR-3322-L.
Elkay Product Catalog CPS-6, Elkay Manufacturing Company, Copyright 1991, p. 12, illustrating Sink Models Nos. 3322 and 2522.
Kohler Company K-400 Catalog, Sep. 1986, illustrating "Delafield" Sink.

Primary Examiner—James R. Largen
Attorney, Agent, or Firm—Leydig, Voit & Mayer

[56] References Cited U.S. PATENT DOCUMENTS

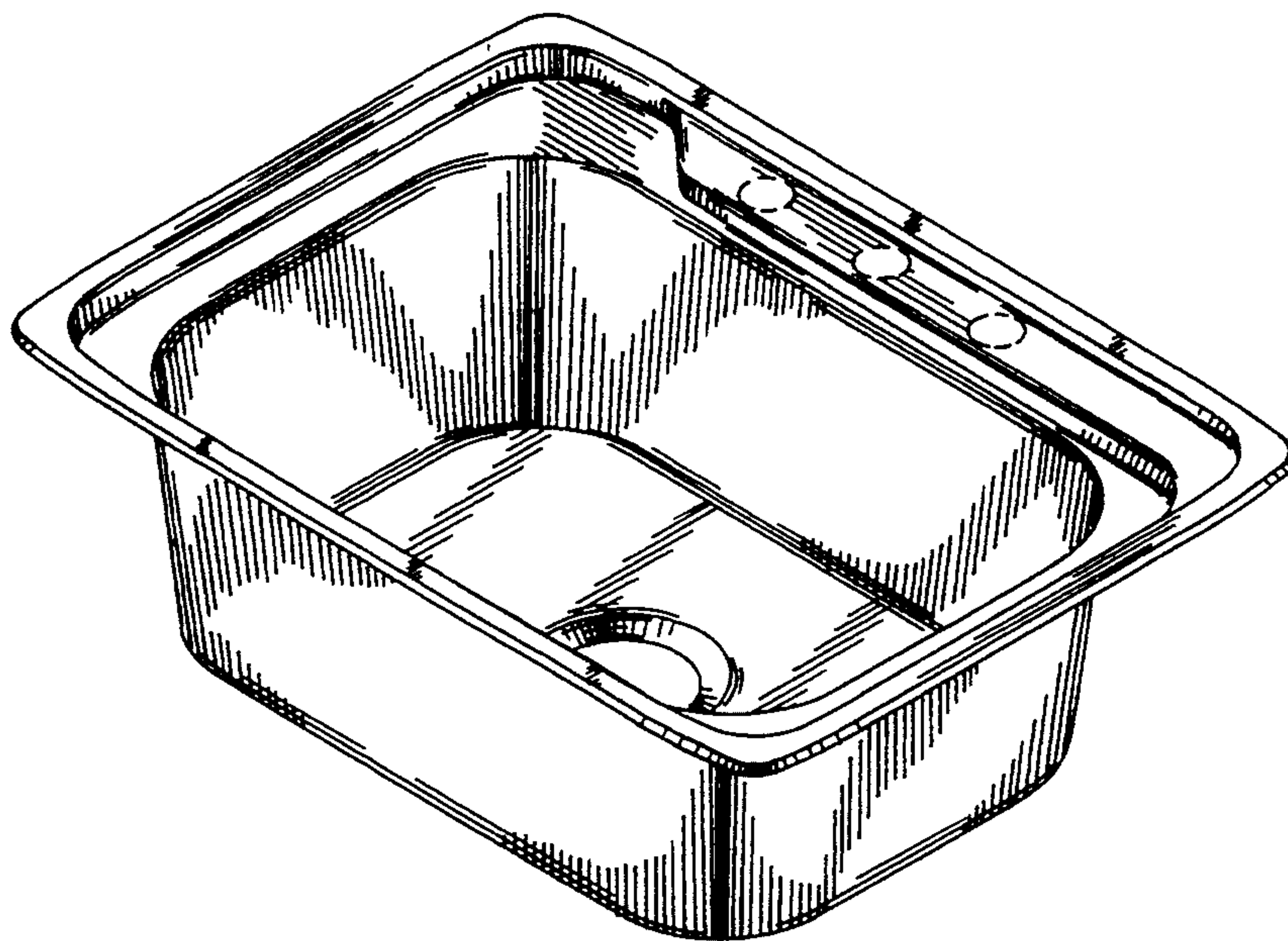
- D. 113,232 2/1939 Love .
- D. 114,645 5/1939 Morgan .
- D. 198,305 6/1964 Graning .
- D. 218,606 9/1970 Lien .
- D. 234,199 1/1975 Stairs, Jr. .
- D. 234,427 3/1975 Stairs, Jr. .
- D. 234,464 3/1975 Stairs, Jr. .
- D. 244,827 6/1977 Nevai .
- D. 297,162 8/1988 Muek et al. D23/290
- D. 319,302 8/1991 Ris D23/290
- D. 323,878 2/1992 Sauter et al. .
- D. 323,879 2/1992 Sauter .
- D. 324,264 2/1992 Sauter et al. .
- D. 324,902 3/1992 Kohler, Jr. et al. .
- D. 324,903 3/1992 Sauter et al. .
- D. 324,908 3/1992 Sauter et al. 909/
- D. 324,909 3/1992 Sauter et al. .
- D. 325,245 4/1992 Sauter et al. D23/290
- D. 326,902 6/1992 Bonnell .

[57] CLAIM

The ornamental design for a sink, as shown and described.

DESCRIPTION

FIG. 1 is a perspective view taken from the top, front and right side of a sink showing my new design;
FIG. 2 is a top plan view thereof;
FIG. 3 is a cross-sectional view taken on line 3—3 of FIG. 2;
FIG. 4 is a cross-sectional view taken on line 4—4 of FIG. 2;
FIG. 5 is a cross-sectional view taken on line 5—5 of FIG. 2;
FIG. 6 is a cross-sectional view taken on line 6—6 of FIG. 2; and,
FIG. 7 is a perspective view taken from the top, front and right side of a second embodiment thereof.
The broken line representation of holes in FIGS. 1 and 7 are for purposes of illustration only and form no part of the claimed design.



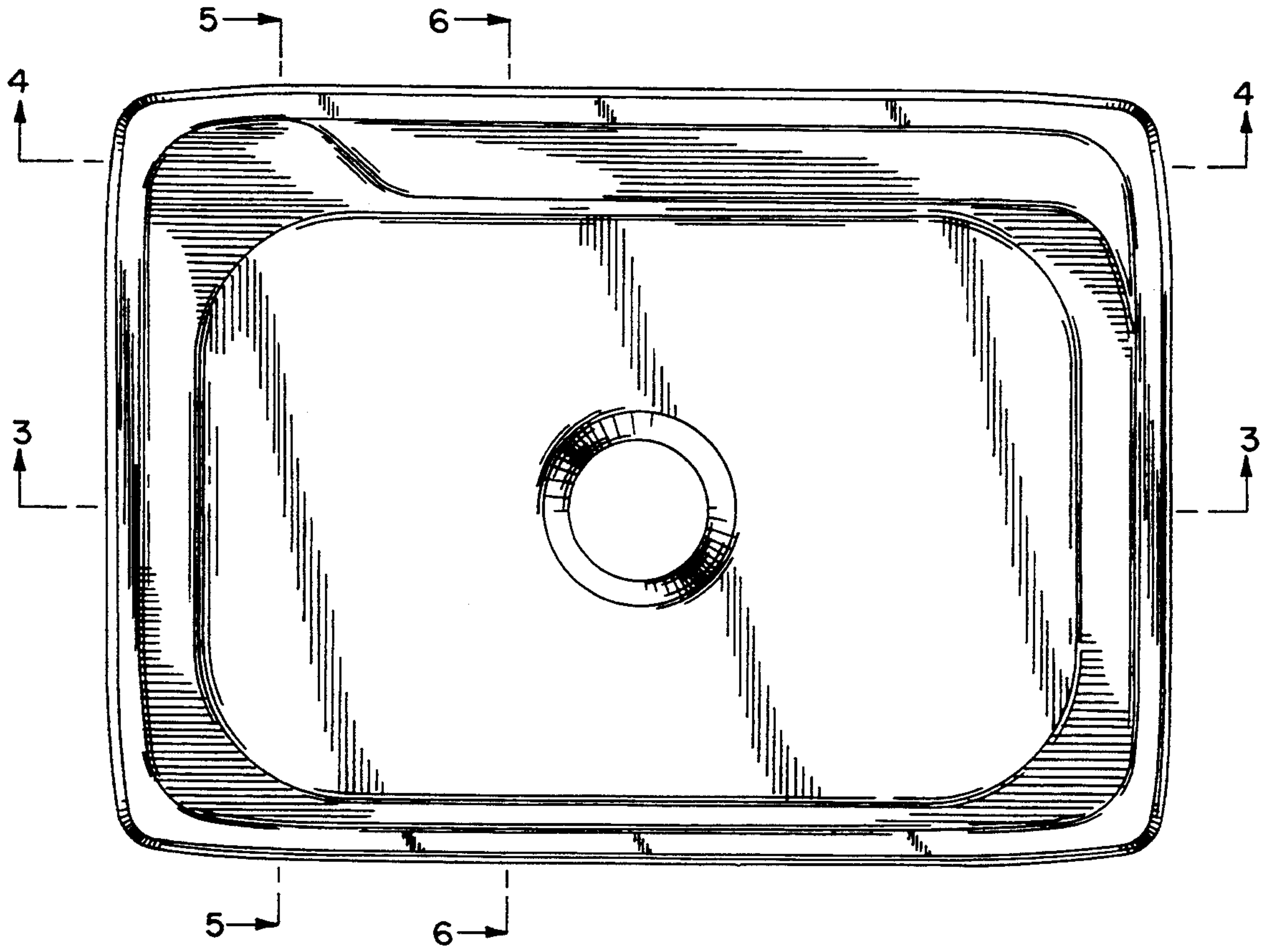
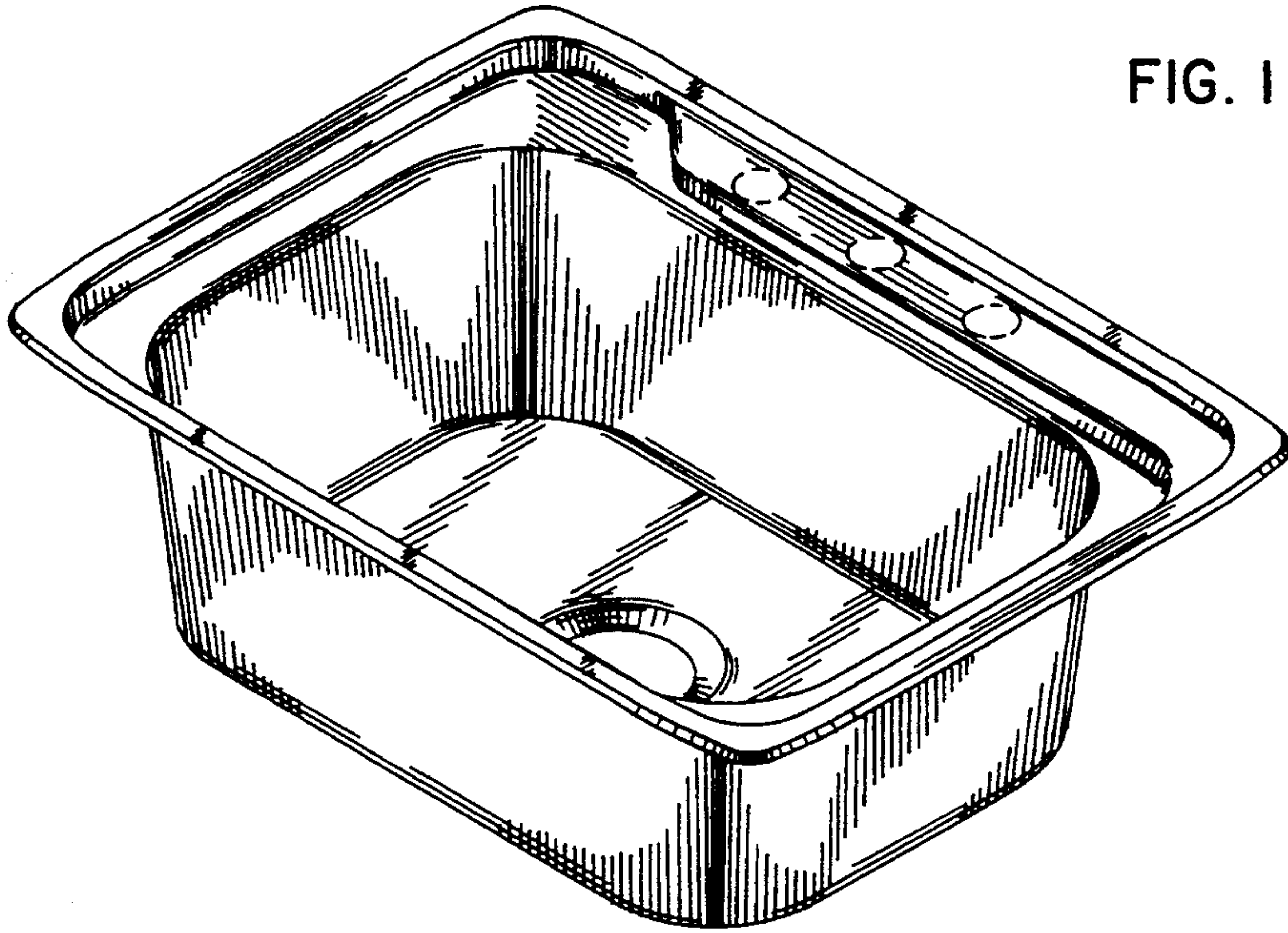


FIG. 2

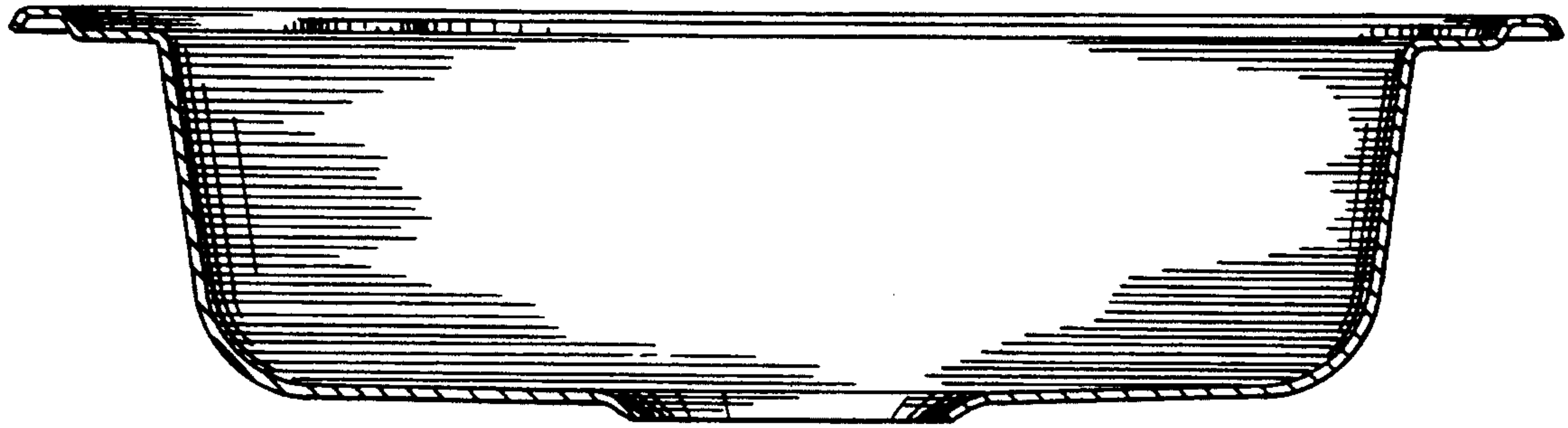


FIG. 3



FIG. 4

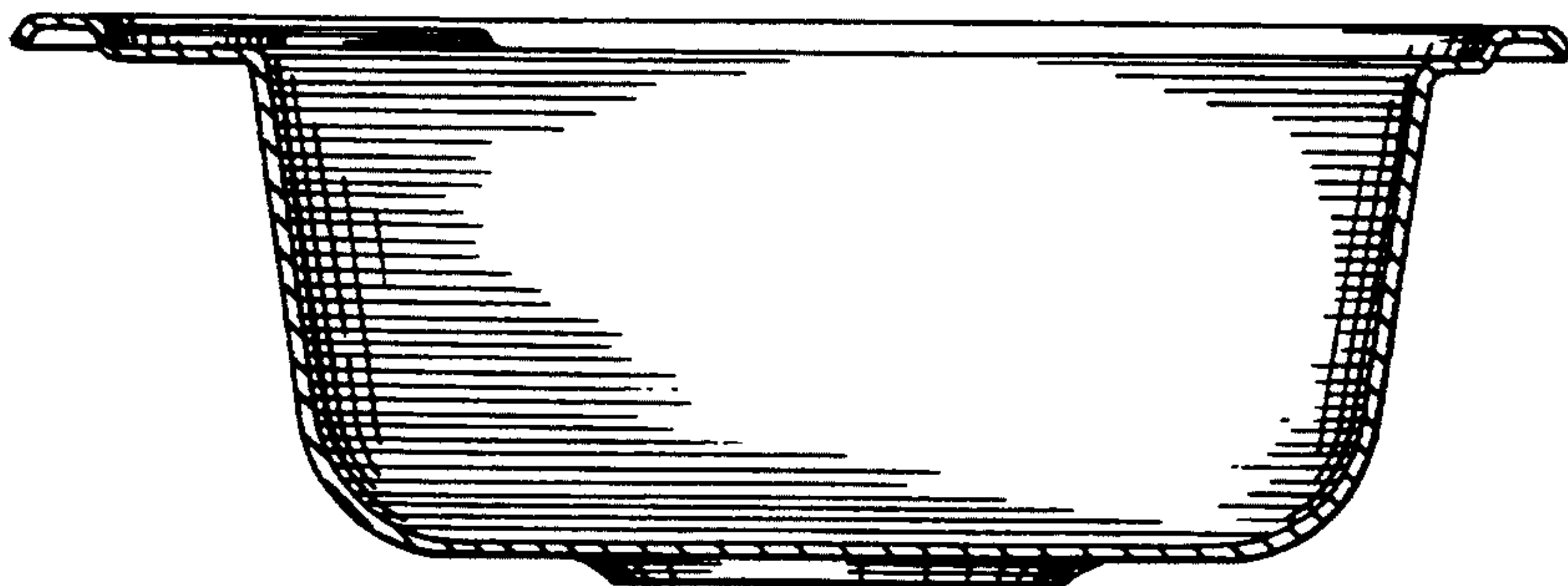


FIG. 5

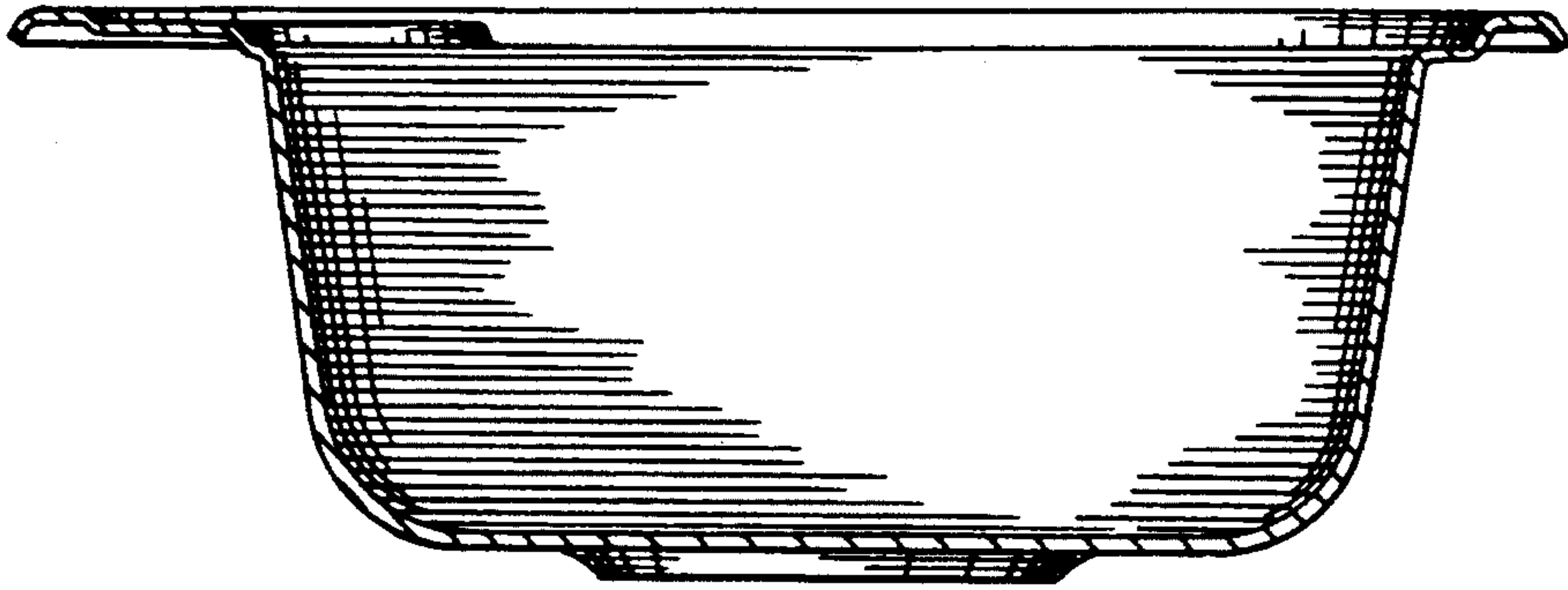


FIG. 6

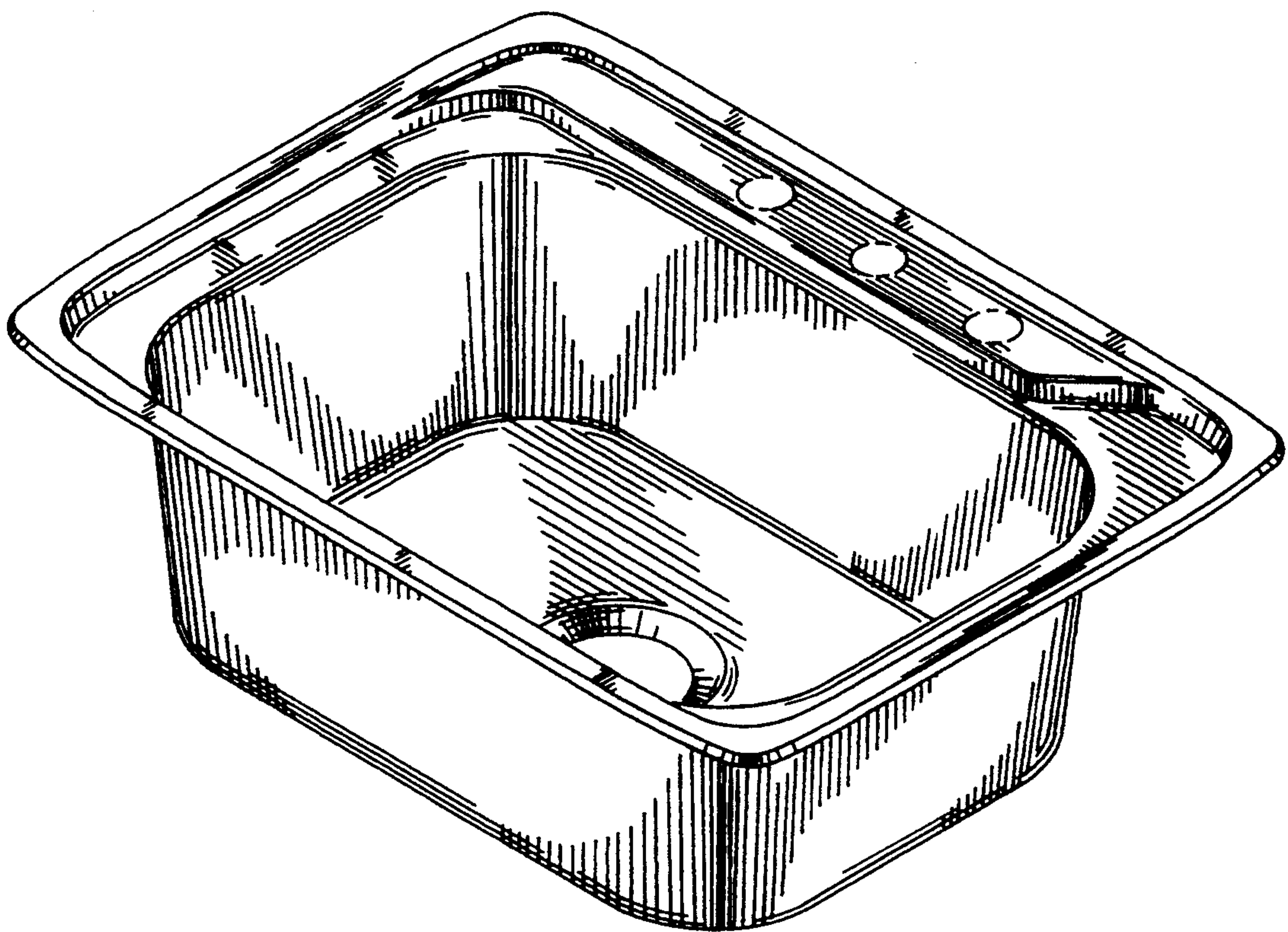


FIG. 7