



US00D354118S

United States Patent [19]

[11] **Patent Number: Des. 354,118**

Bengtson

[45] **Date of Patent: ** Jan. 3, 1995**

[54] **SHOWER ENCLOSURE**

[75] **Inventor: Alan D. Bengtson, Shorewood, Wis.**

[73] **Assignee: Kohler Co., Kohler, Wis.**

[**] **Term: 14 Years**

[21] **Appl. No.: 16,782**

[22] **Filed: Dec. 23, 1993**

[52] **U.S. Cl. D23/283**

[58] **Field of Search D23/283, 304, 305;
4/590, 596, 597, 604, 605, 611, 612, 613, 622;
52/34, 35, 264**

[56] **References Cited**

U.S. PATENT DOCUMENTS

D. 204,126	3/1966	Brenner	D23/283
D. 208,967	10/1967	Wolske	D23/283
D. 233,932	12/1974	Seymour	D23/49
D. 299,523	1/1989	Poulin	D23/283

OTHER PUBLICATIONS

Undated p. 1.47 of an Eljer catalog showing a Capelli neo-angle shower Model 034-3200, admitted prior art.
Undated p. 1.42 of an Eljer catalog showing a Melbourne tub/shower Model 024-1000, admitted prior art.

Primary Examiner—A. Hugo Word
Assistant Examiner—Eric M. Watterson
Attorney, Agent, or Firm—Quarles & Brady

[57] **CLAIM**

The ornamental design for a shower enclosure, as shown and described.

DESCRIPTION

FIG. 1 is a perspective view taken from the top and front of a shower enclosure embodying my new design; FIG. 2 is an elevational view directly facing the interior side of the right wall, the view directly facing the left wall interior side being the mirror image of the view of FIG. 2;
FIG. 3 is a top plan view thereof;
FIG. 4 is a cross-sectional view taken on line 4—4 of FIG. 1; and,
FIG. 5 is a cross-sectional view taken on line 5—5 of FIG. 1.

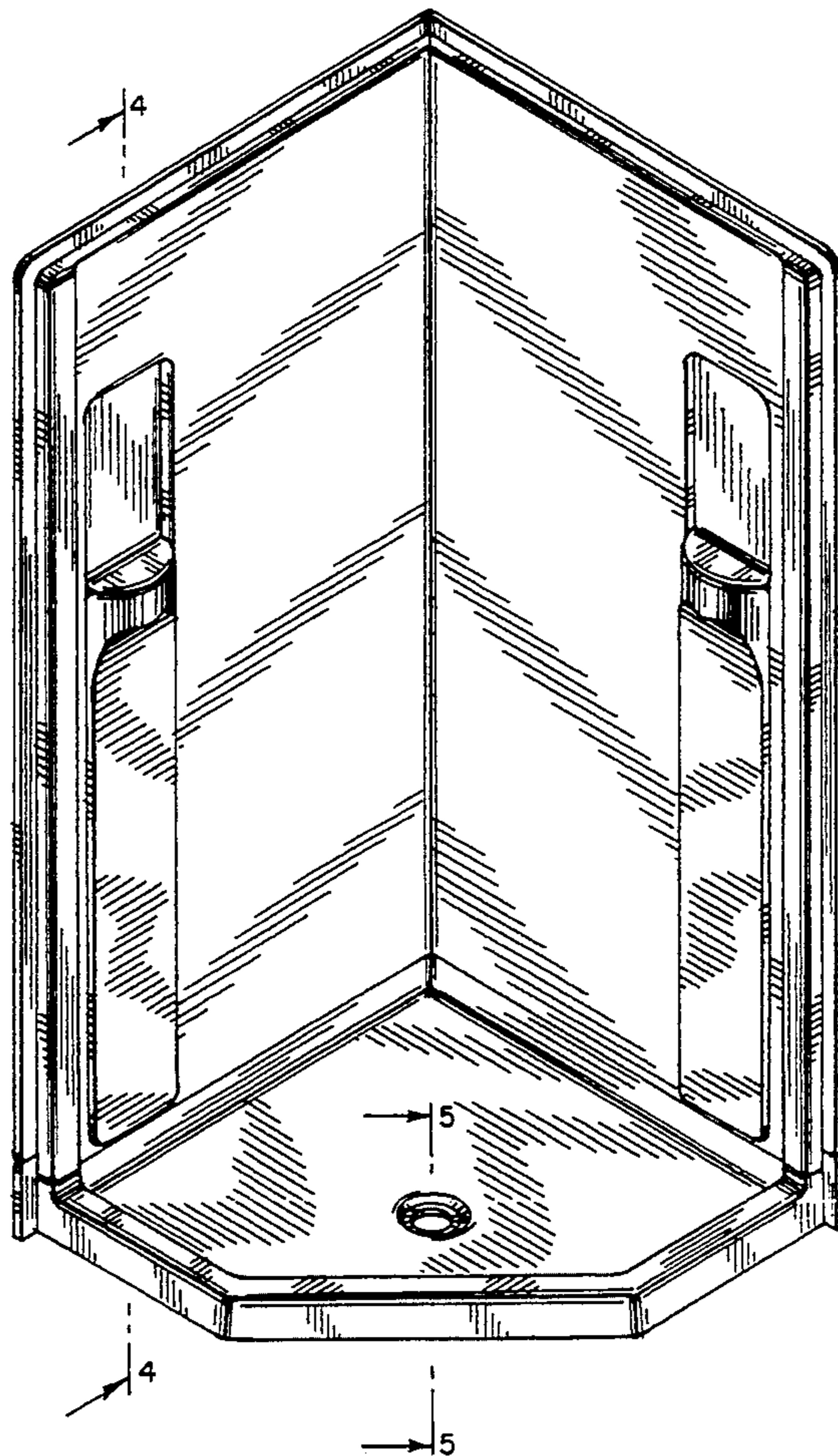


FIG. 1

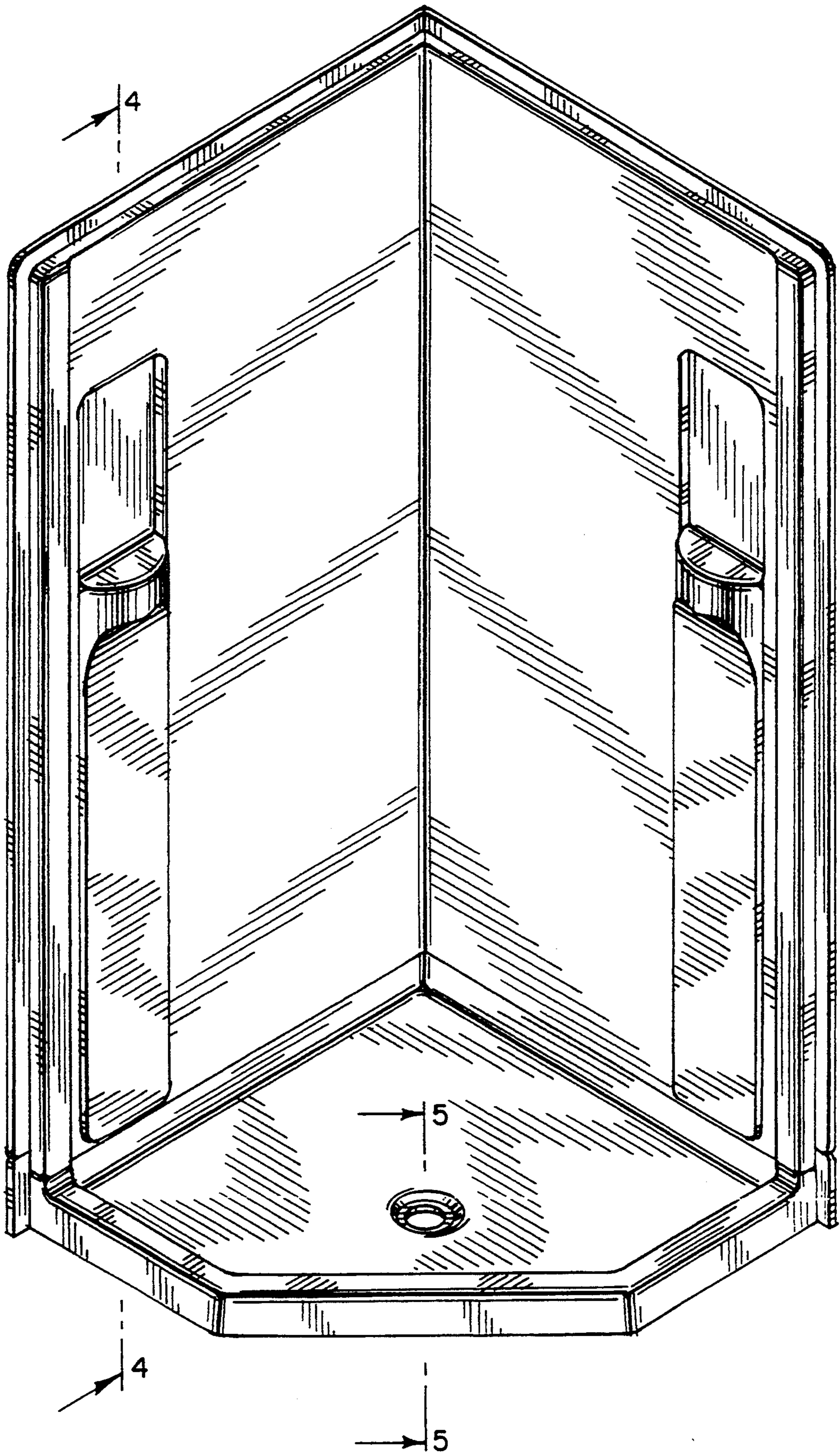


FIG. 2

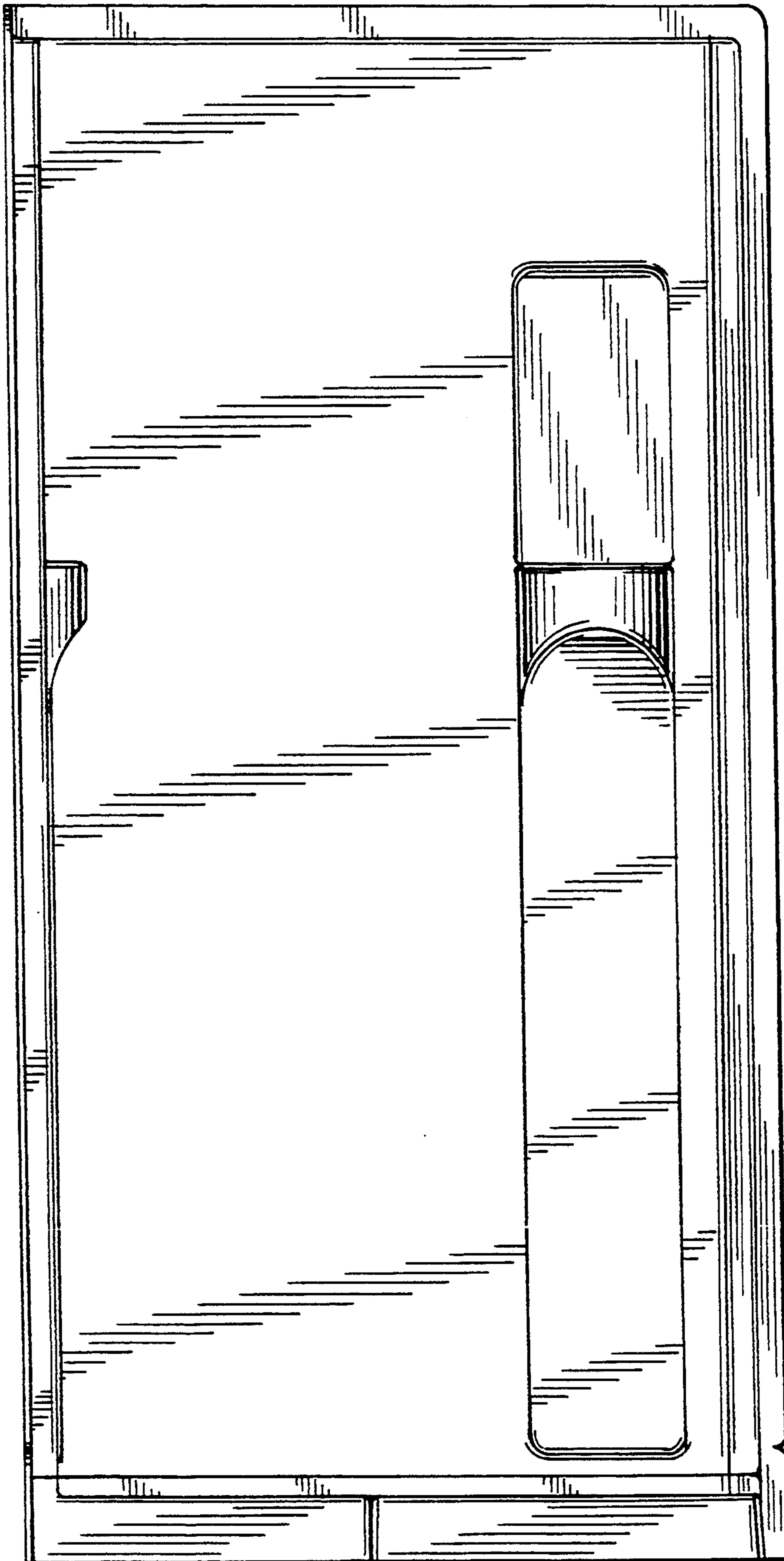
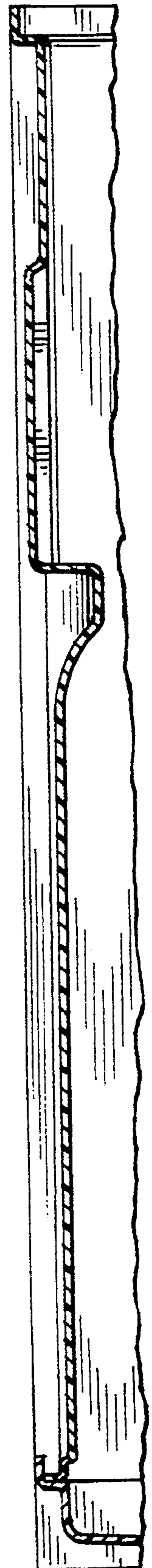


FIG. 4



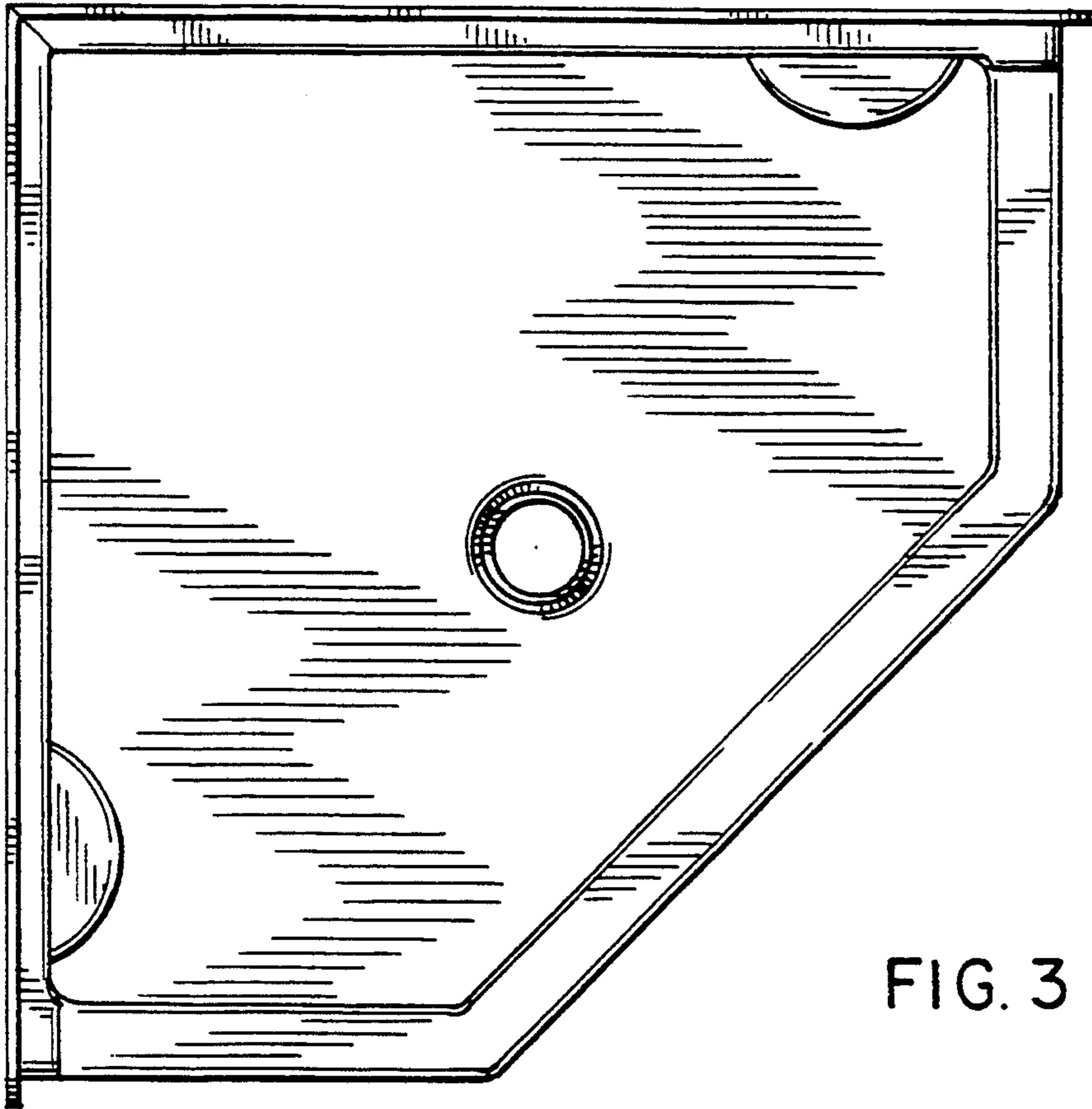


FIG. 3



FIG. 5