



US00D354116S

# United States Patent [19]

[11] Patent Number: **Des. 354,116**

**McKeone**

[45] Date of Patent: **\*\* Jan. 3, 1995**

[54] **TUB FOR BATHING**

[75] Inventor: **William C. McKeone**, Sheboygan Falls, Wis.

[73] Assignee: **Kohler Co.**, Kohler, Wis.

[\*\*] Term: **14 Years**

[21] Appl. No.: **16,175**

[22] Filed: **Dec. 9, 1993**

[52] U.S. Cl. .... **D23/277**

[58] Field of Search ..... **D23/270-283;**  
**D24/201-205; 4/538, 539, 546, 554, 575.1, 579,**  
**584, 589, 590, 591, 592, 593, 594**

[56] **References Cited**

**U.S. PATENT DOCUMENTS**

- D. 253,124 10/1979 Primault ..... D23/277
- D. 310,566 9/1990 Jacuzzi ..... D24/38
- D. 334,231 3/1993 Kohler, Jr. et al. .... D23/281
- D. 346,648 5/1994 Levien ..... D23/277

**OTHER PUBLICATIONS**

A drawing and a photograph of a Hytec acrylic tub No. AC 6060, admitted prior art. Dec. 1, 1992.

An undated ad of Americh Corp. showing *inter alia* a Bermuda bathing tub, admitted prior art.

An ad of Lasco Bathware dated 1991 showing a Delphinus whirlpool bath and luxury bathtub.

An undated ad of an unknown company showing, *inter alia*, a Le Sublime Model 6060SW tub, admitted prior art.

*Primary Examiner*—A. Hugo Word

*Assistant Examiner*—Eric Watterson

*Attorney, Agent, or Firm*—Quarles & Brady

[57] **CLAIM**

The ornamental design for a tub for bathing, as shown and described.

**DESCRIPTION**

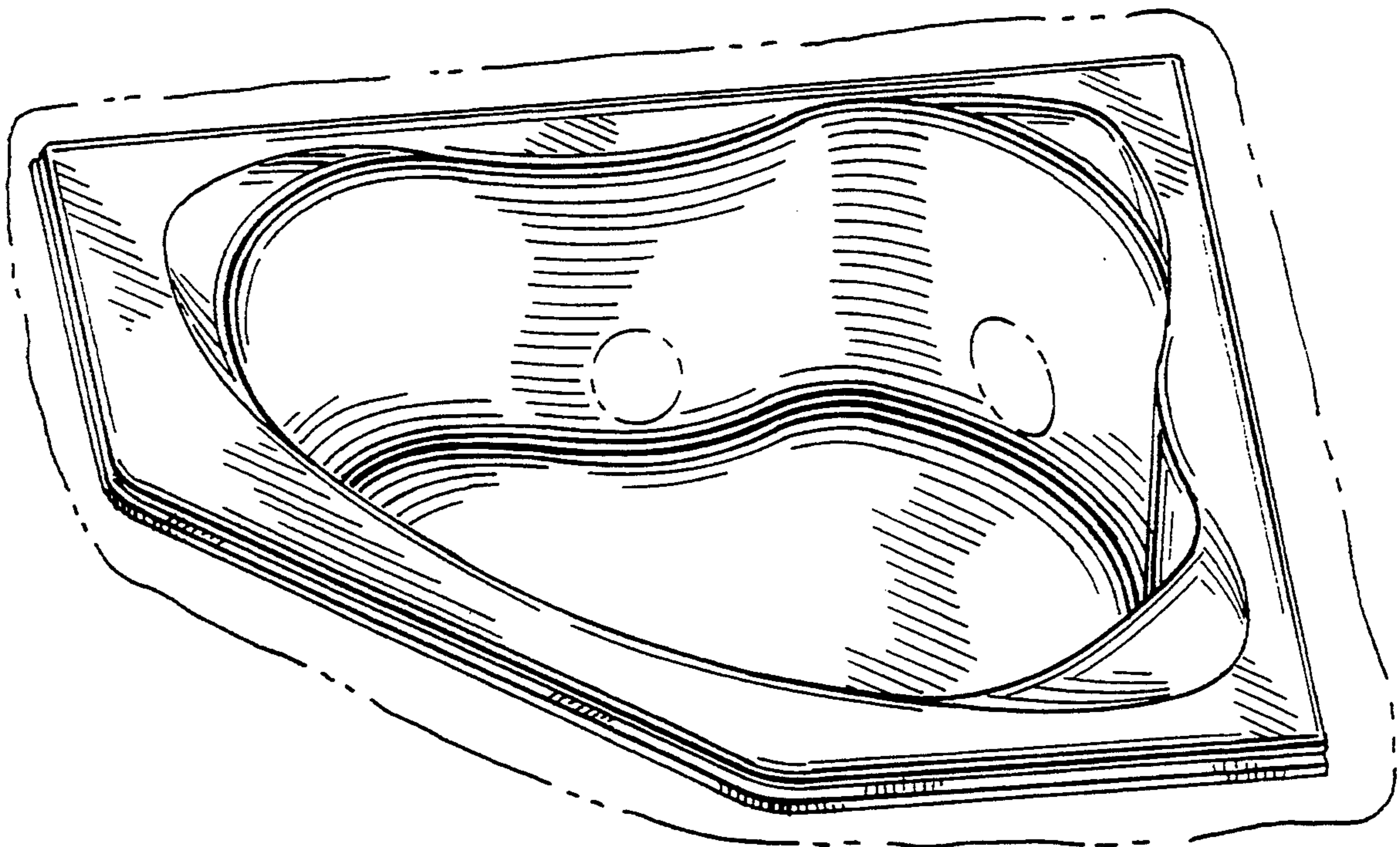
FIG. 1 is a perspective view taken from the top, front and right side of a tub for bathing embodying my new design;

FIG. 2 is a top plan view thereof;

FIG. 3 is a cross-sectional view taken on line 3—3 of FIG. 2; and,

FIG. 4 is a cross-sectional view taken on line 4—4 of FIG. 2.

The fragmentary broken line representations of a bathroom island installation deck in FIG. 1, and of openings in FIGS. 1, 2 and 3 are for the purpose of illustration only and form no part of the claimed design.



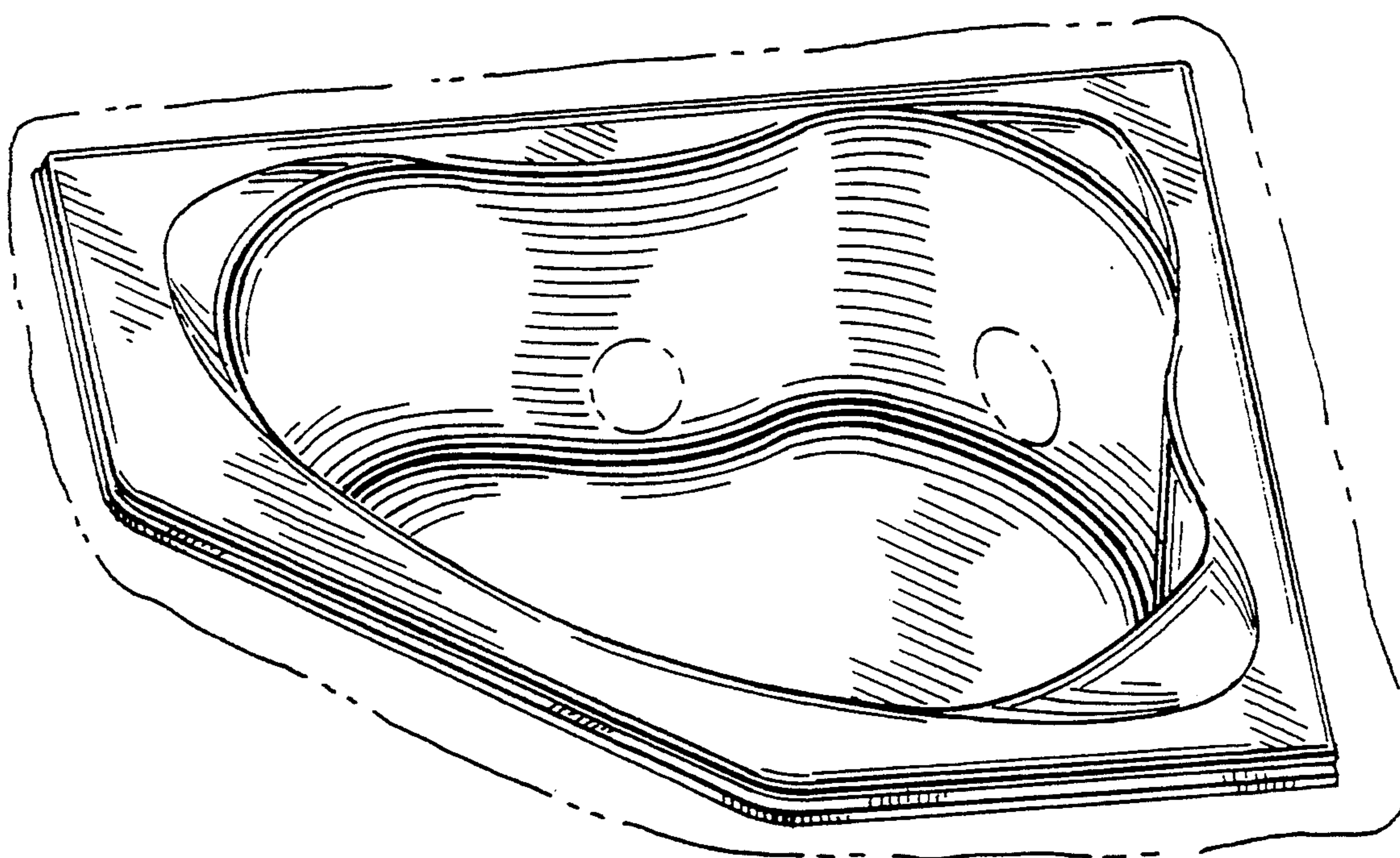


FIG. 1

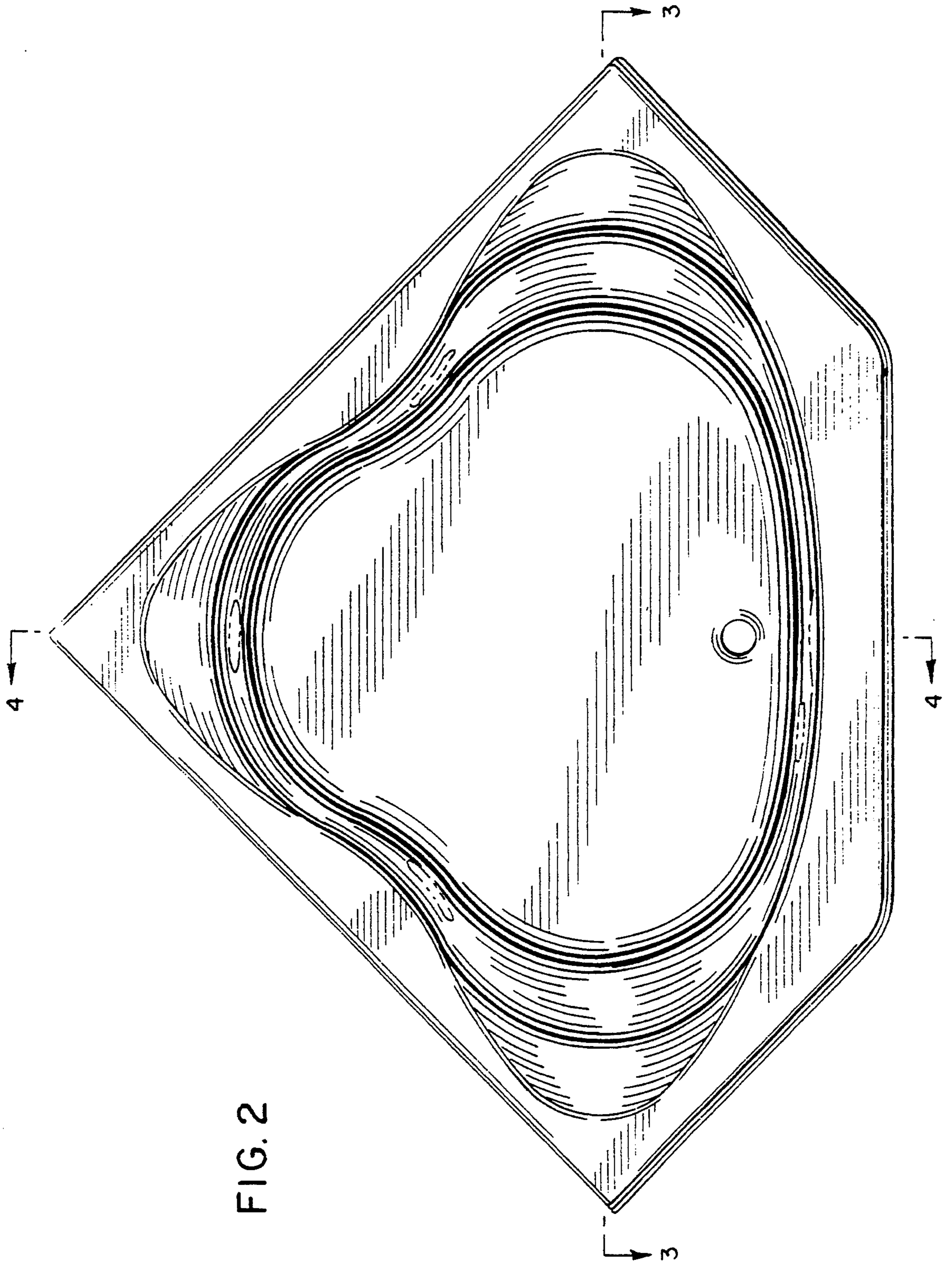


FIG. 2

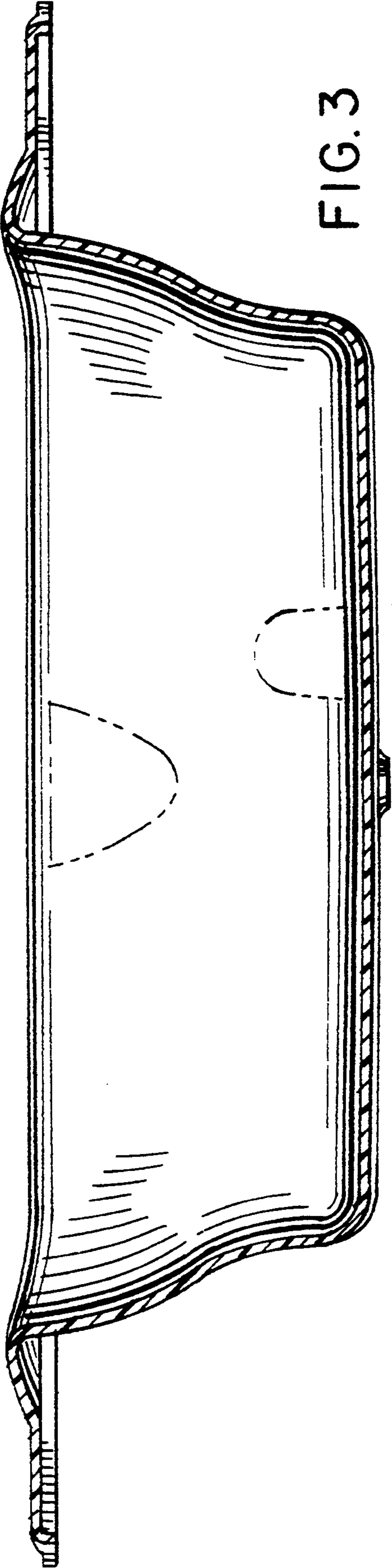


FIG. 3

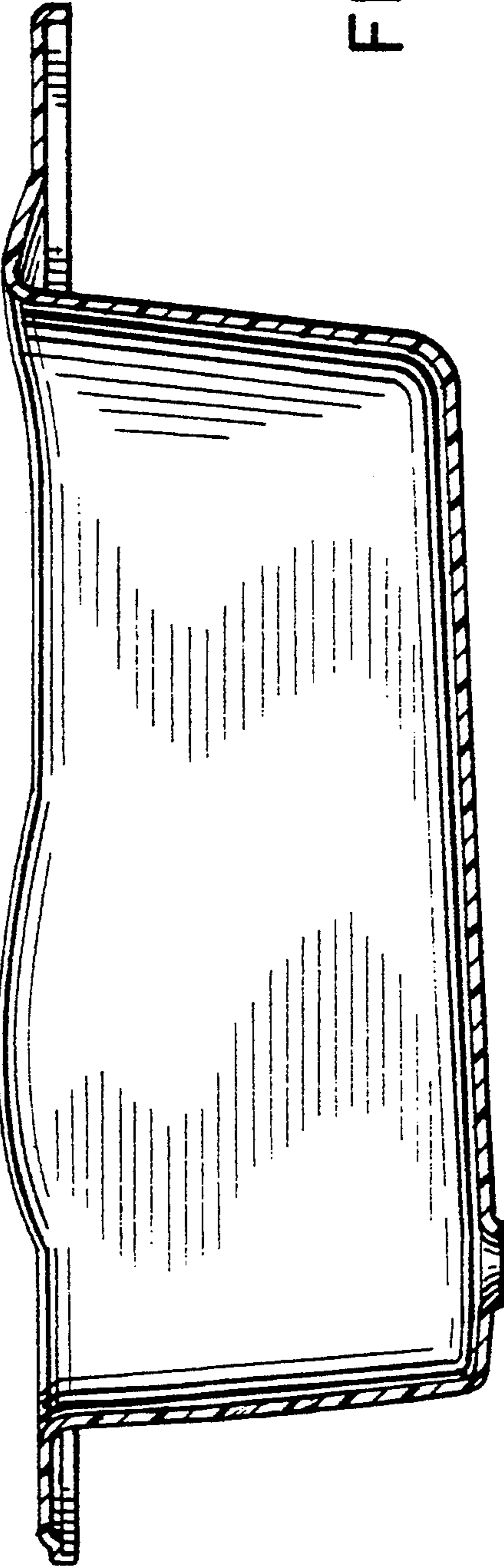


FIG. 4