



US00D354115S

United States Patent [19]

[11] Patent Number: **Des. 354,115**

McKeone

[45] Date of Patent: **** Jan. 3, 1995**

[54] TUB FOR BATHING

[75] Inventor: **William C. McKeone**, Sheboygan Falls, Wis.

[73] Assignee: **Kohler Co.**, Kohler, Wis.

[**] Term: **14 Years**

[21] Appl. No.: **16,174**

[22] Filed: **Dec. 9, 1993**

[52] U.S. Cl. **D23/277**

[58] Field of Search **D23/270-283;**
D24/201-205; 4/538, 539, 546, 554, 575.1, 579,
584, 589, 590, 591, 592, 593, 594

[56] **References Cited**

U.S. PATENT DOCUMENTS

- D. 275,282 10/1984 Burgess et al. D24/204 X
- D. 317,354 6/1991 Taylor D23/281
- D. 320,263 9/1991 Kohler, Jr. et al. D23/294

OTHER PUBLICATIONS

Undated Hydro Swirl ad showing a Model 6040 oval tub, admitted prior art.

Page 7 of a 1991 Swirl-Way Plumbing Group ad showing a Cambio oval Tub.

Undated Swirl-Way Plumbing Group ad showing a Sorrento oval tub, admitted prior art.

1987 Jacuzzi ad showing a Nova tub.

Primary Examiner—A. Hugo Word

Assistant Examiner—Eric M. Watterson

Attorney, Agent, or Firm—Quarles & Brady

[57] **CLAIM**

The ornamental design for a tub for bathing, as shown and described.

DESCRIPTION

FIG. 1 is a top plan view of a tub for bathing embodying my new design;

FIG. 2 is a perspective view taken from the top, front and left side thereof;

FIG. 3 is a cross-sectional view taken on line 3—3 of FIG. 1.

FIG. 4 is a cross-sectional view taken on line 4—4 of FIG. 1;

FIG. 5 is a top plan view of a second embodiment which is the mirror image of the embodiment of FIG. 1;

FIG. 6 is a top plan view of a third embodiment;

FIG. 7 is a perspective view taken from the top, front and left side of the embodiment of FIG. 6;

FIG. 8 is a cross-sectional view taken on line 8—8 of FIG. 6;

FIG. 9 is a cross-sectional view taken on line 9—9 of FIG. 6;

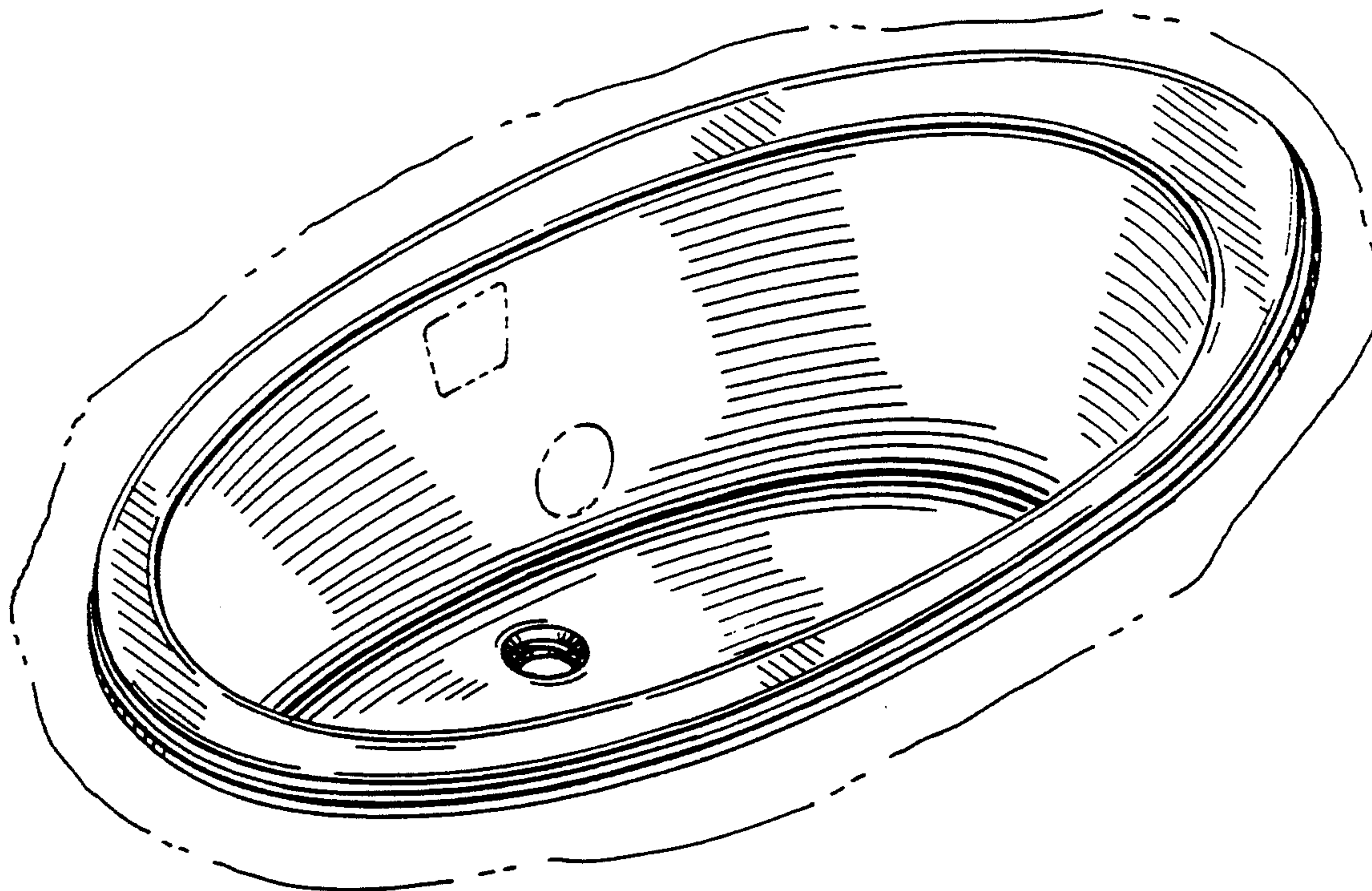
FIG. 10 is a cross-sectional view taken on line 10—10 of FIG. 6;

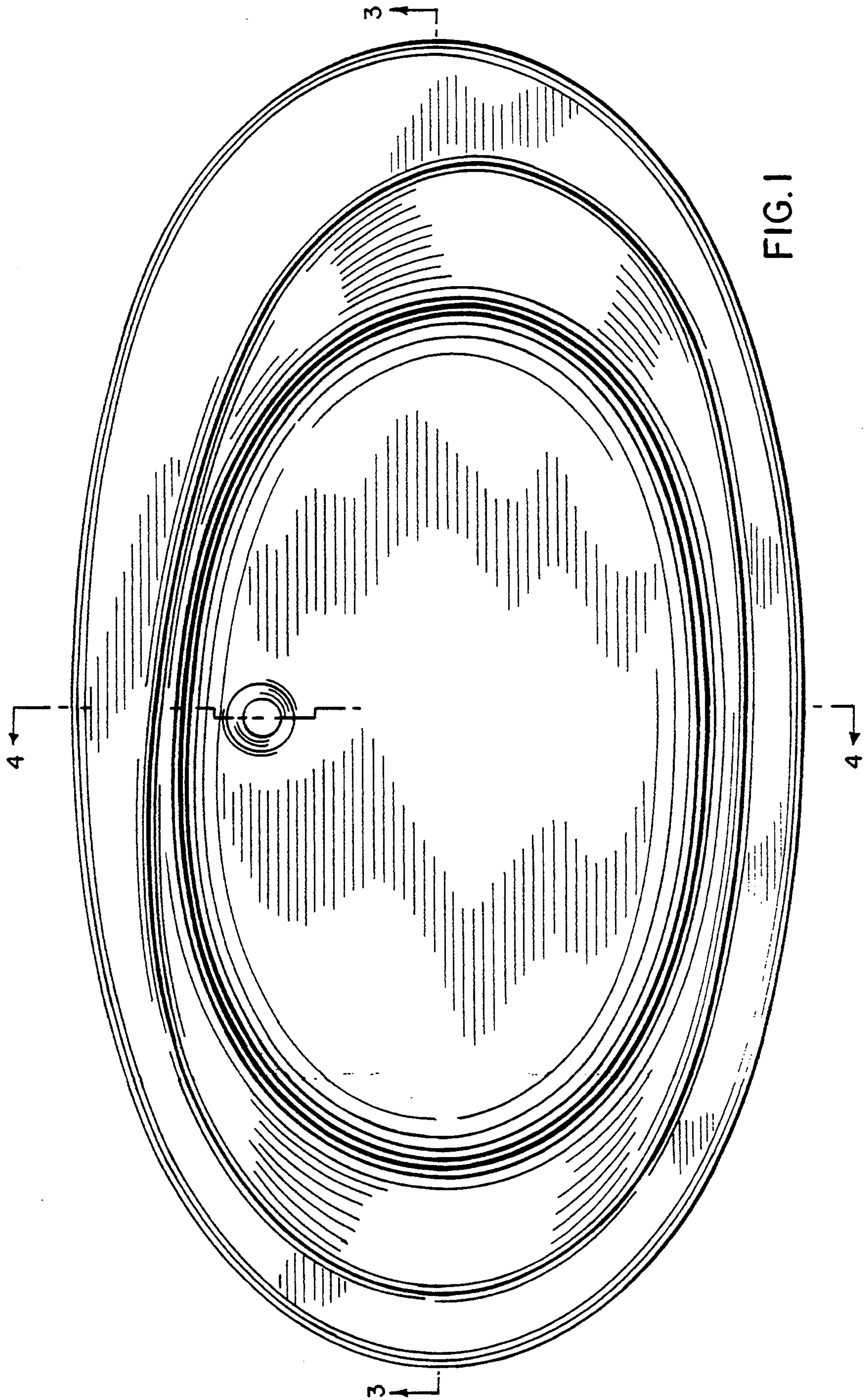
FIG. 11 is a top plan view of a fourth embodiment which is the mirror image of the embodiment of FIG. 6;

and,

FIG. 12 is a typical cross-sectional view of the edge of each of the embodiments, taken along line 12—12 of FIG. 6.

The fragmentary broken line representations of a bathroom deck in FIGS. 2 and 7 and of mounting regions in FIGS. 2, 3, 6, 7, 8, and 11 are for the purpose of illustration only and form no part of the claimed design.





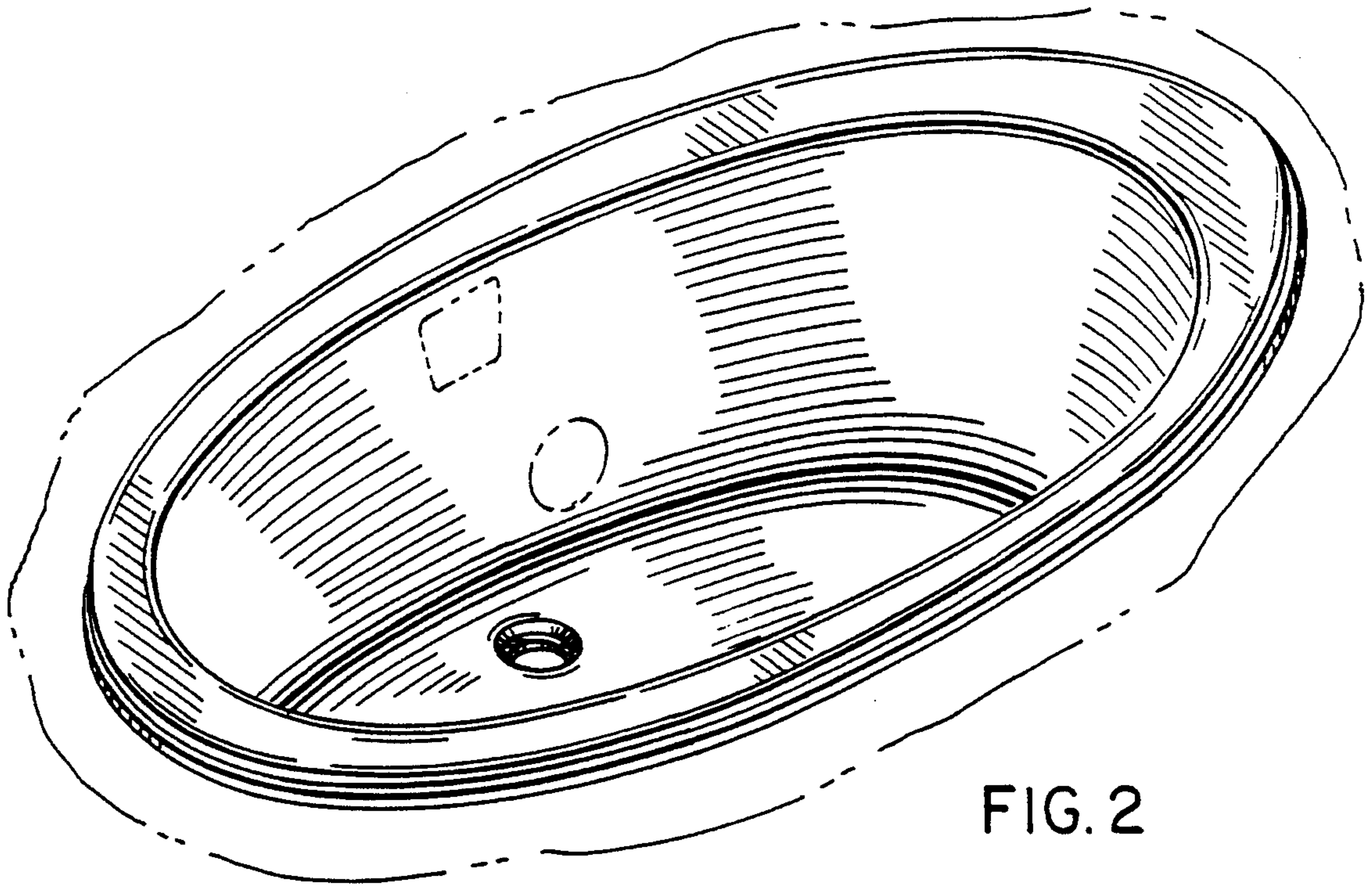


FIG. 2

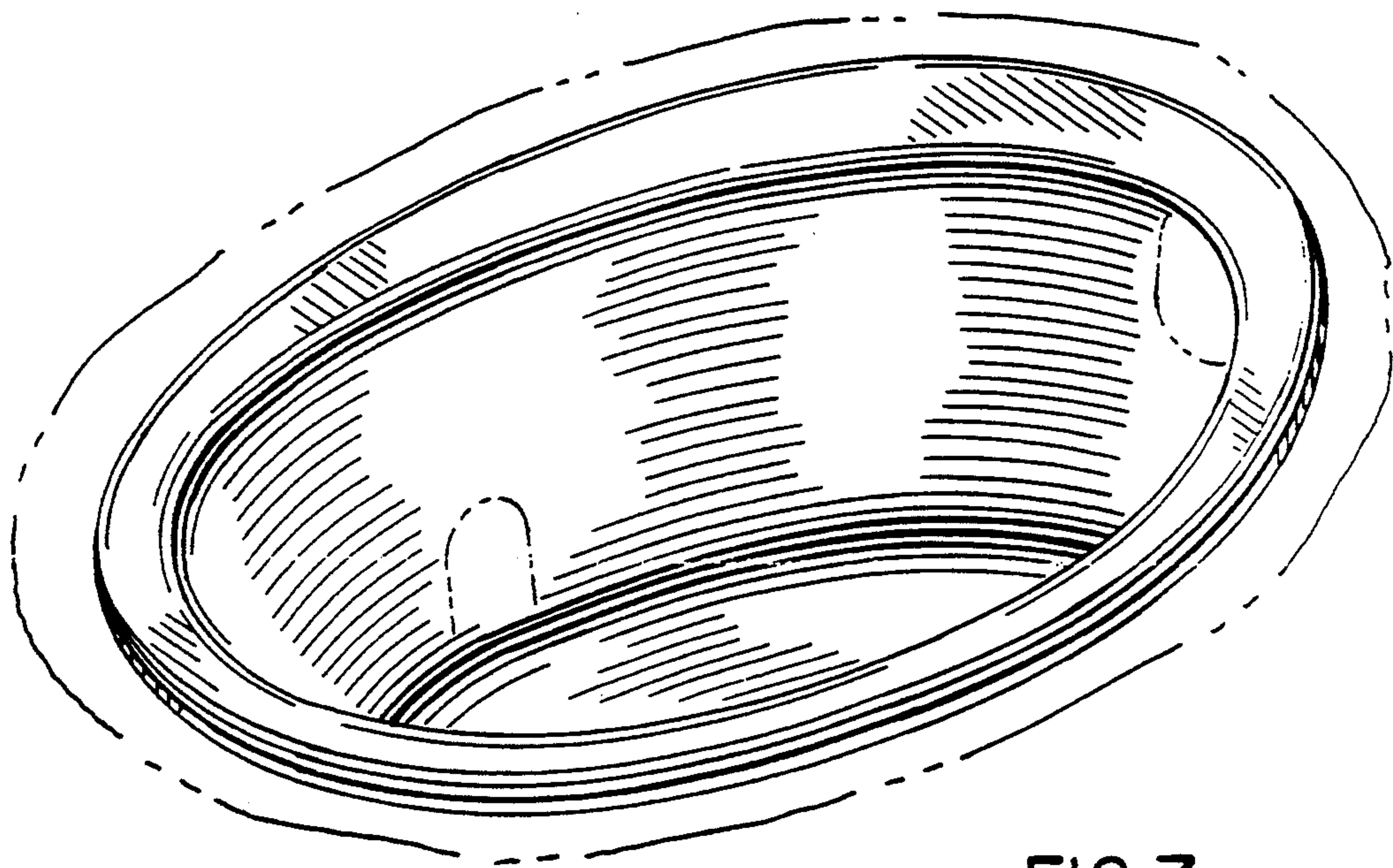


FIG. 7

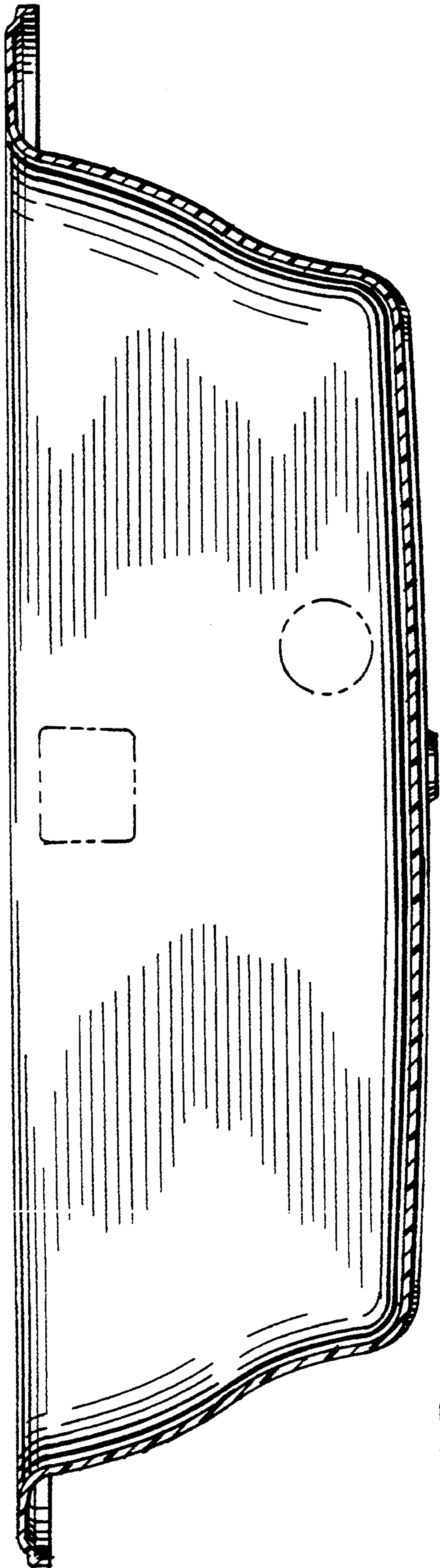


FIG. 3

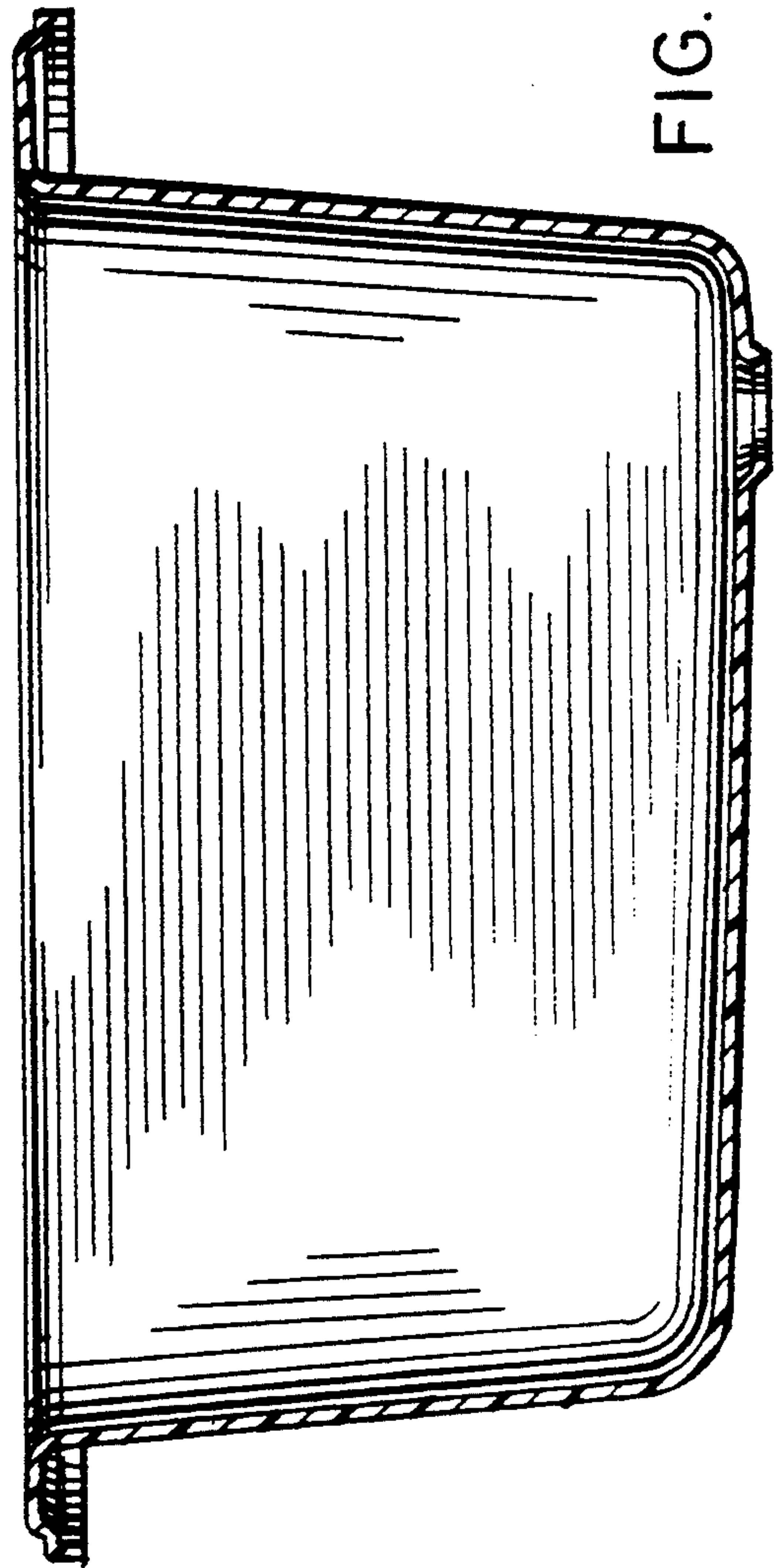


FIG. 4

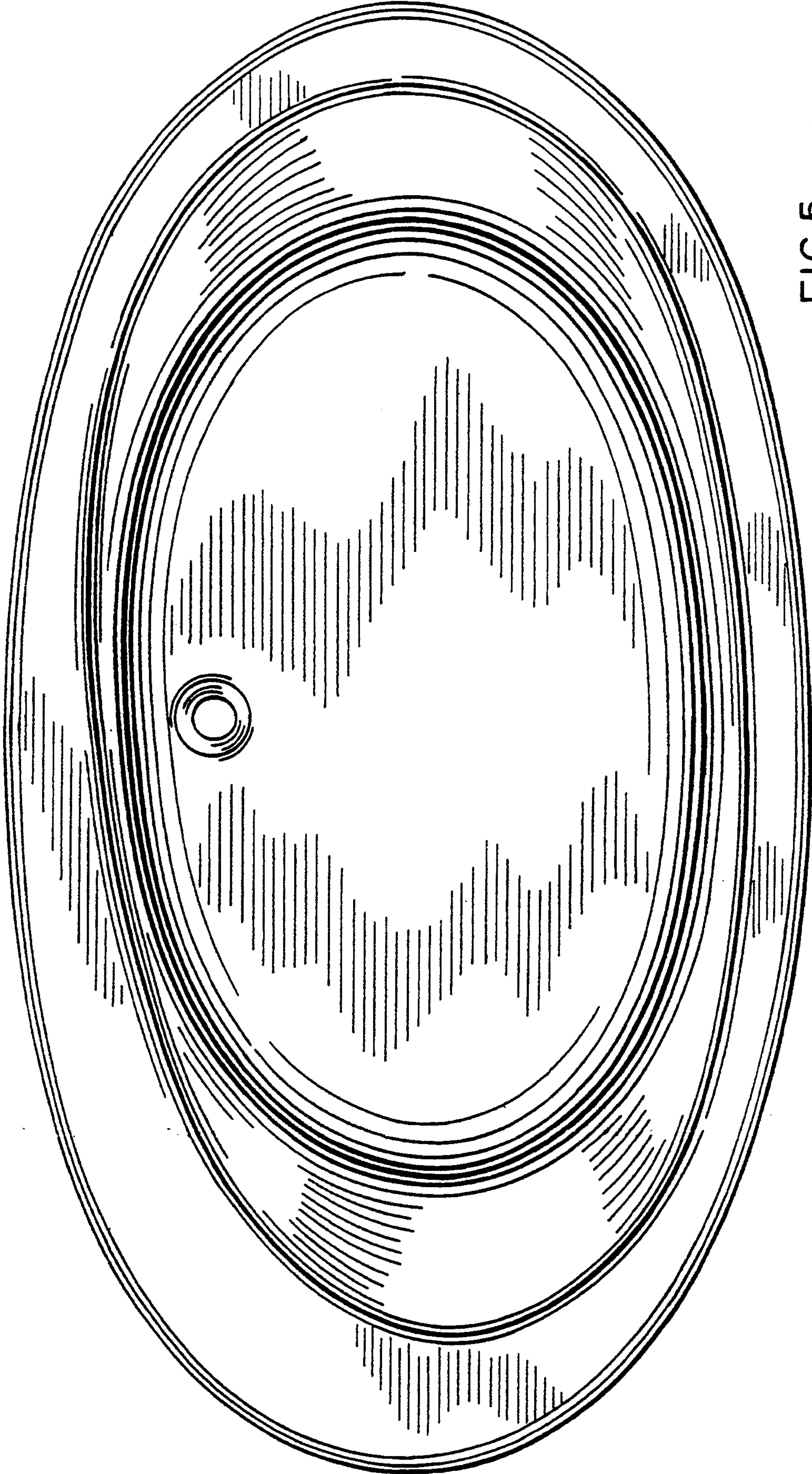


FIG.5

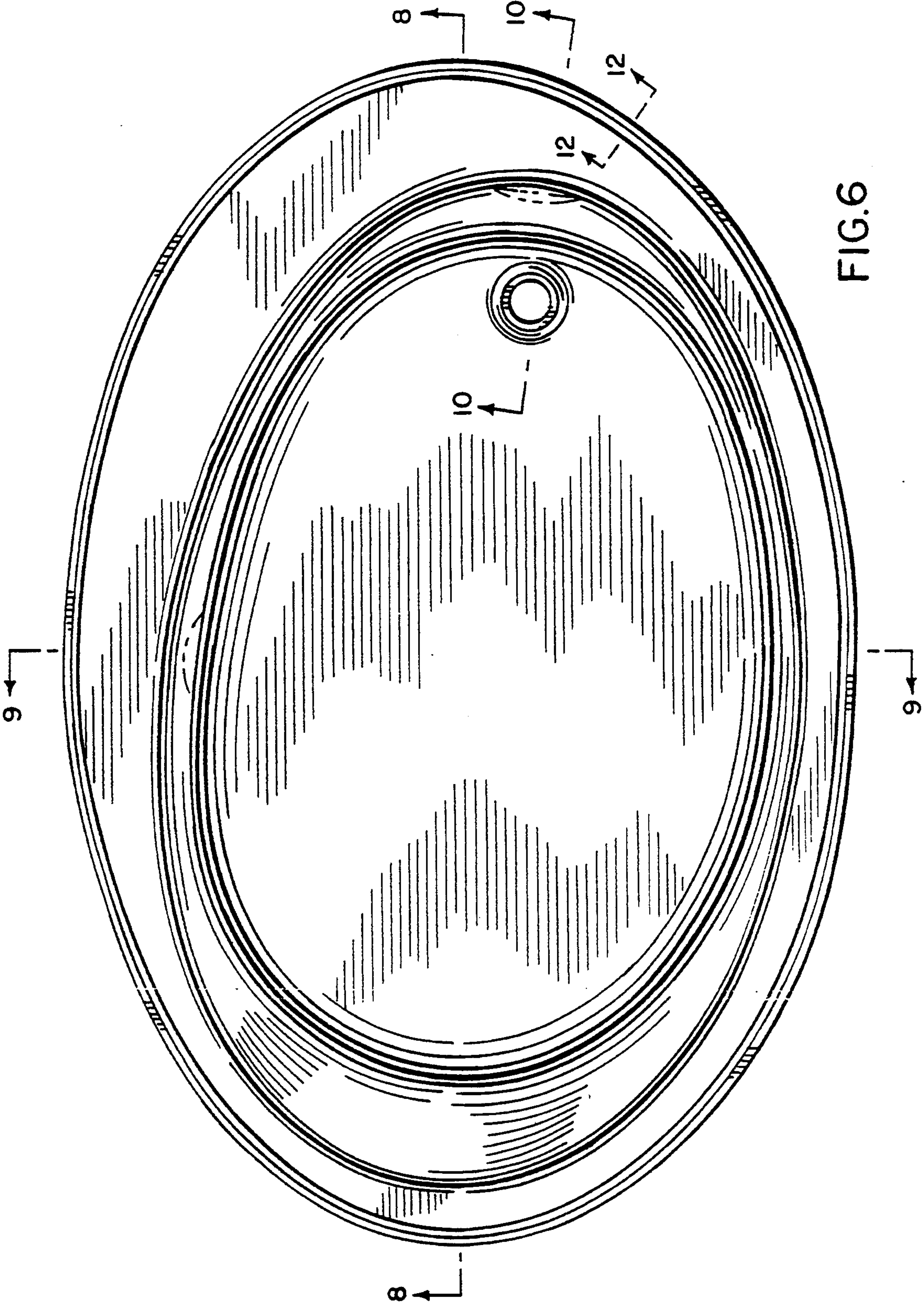


FIG.6

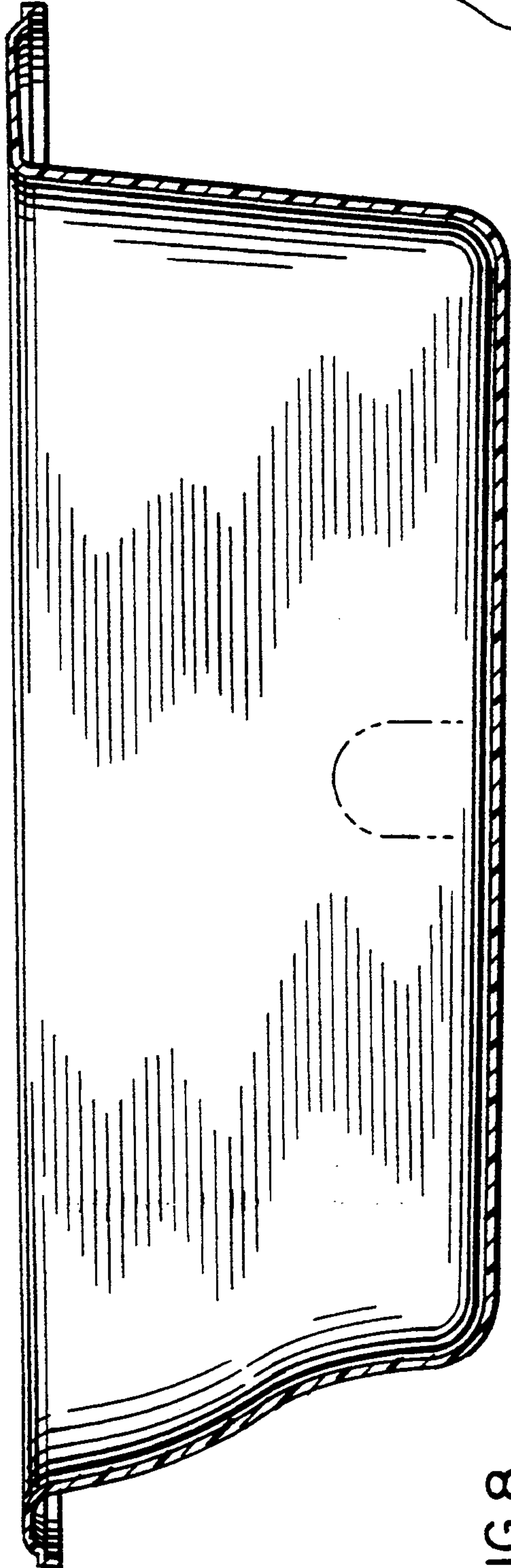


FIG. 8

FIG. 10

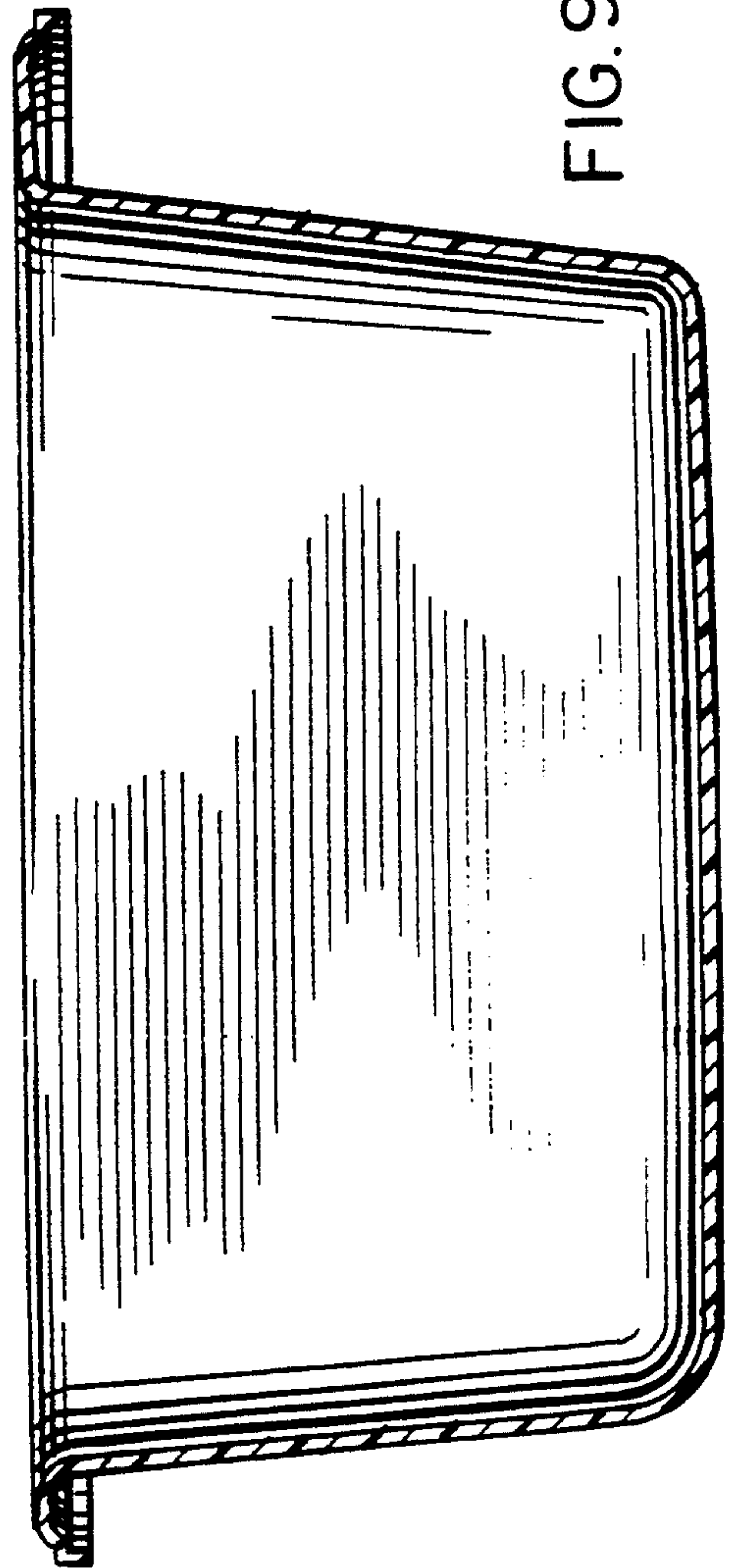
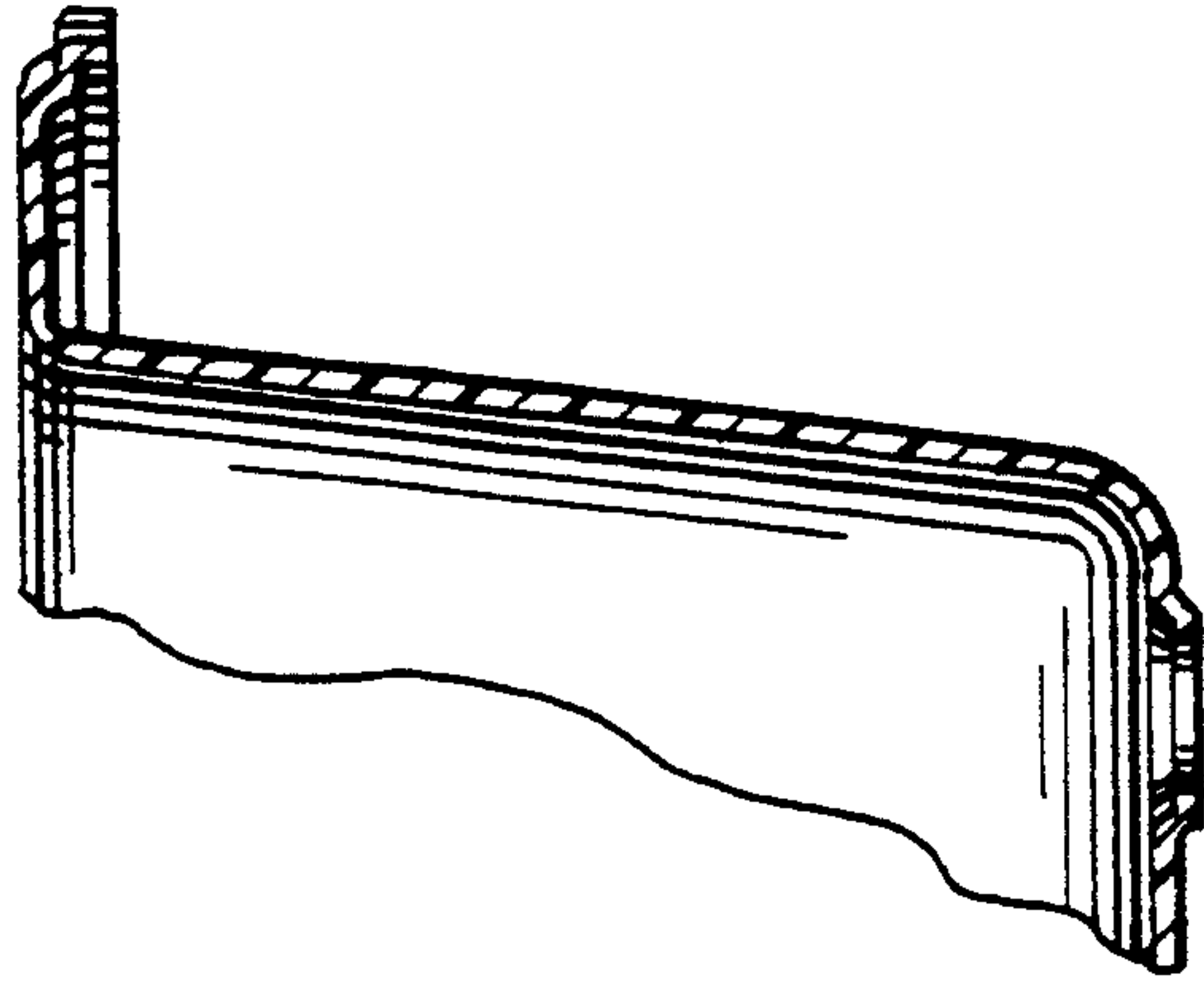
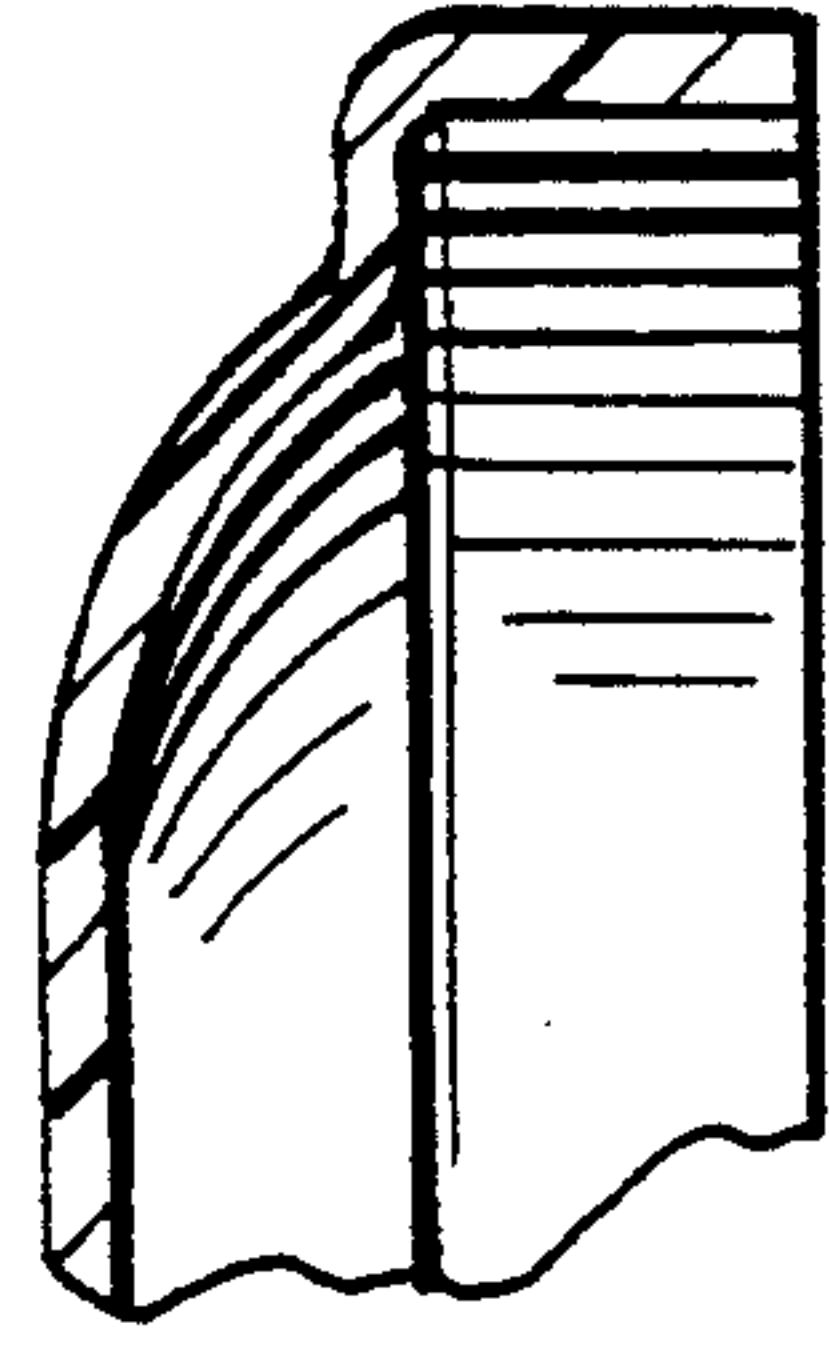


FIG. 9

FIG. 12



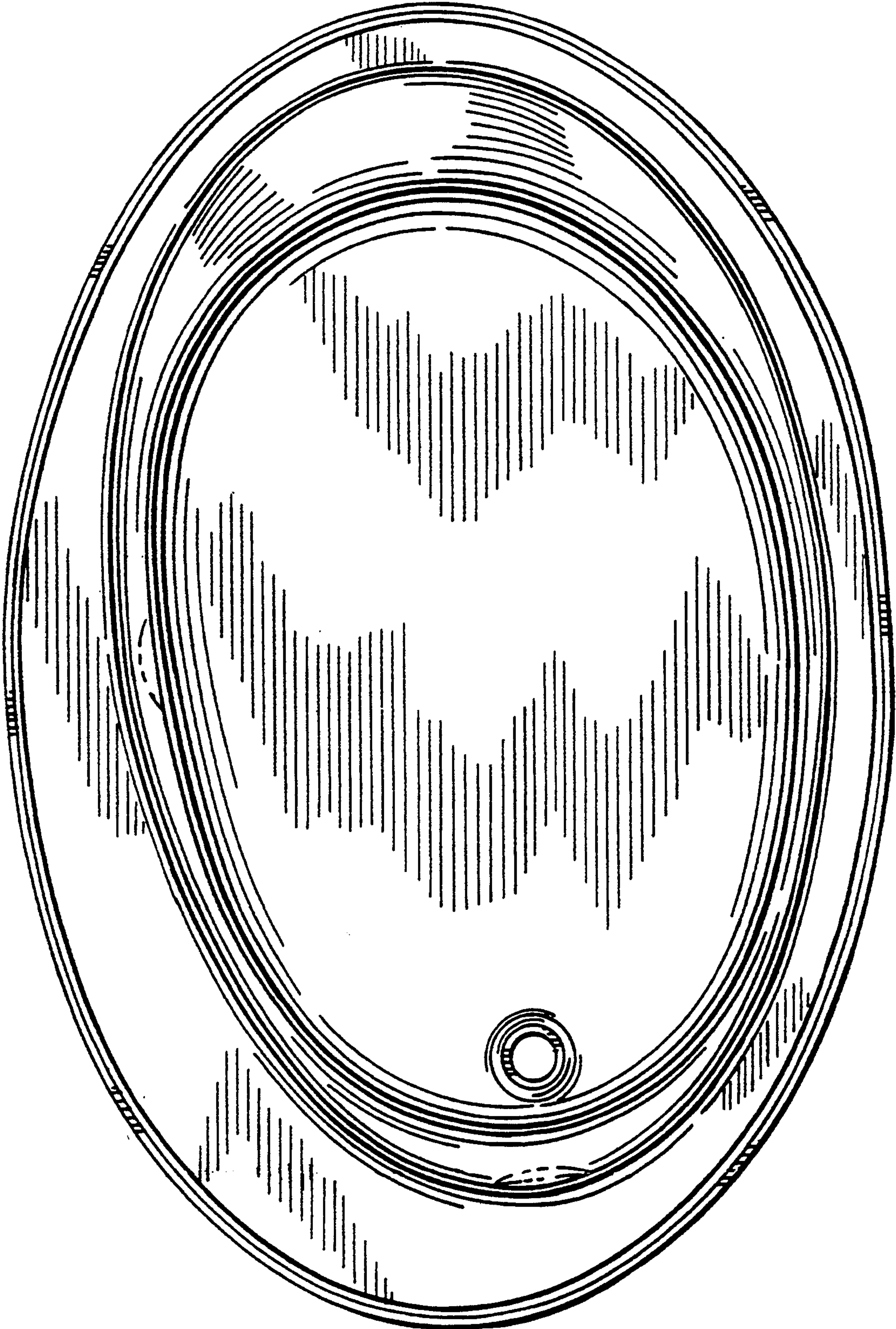


FIG. II