



US00D354114S

United States Patent [19] Mark

[11] Patent Number: **Des. 354,114**

[45] Date of Patent: **** Jan. 3, 1995**

[54] **KITCHEN FAUCET**

[75] Inventor: **Darren M. Mark**, Castaic, Calif.

[73] Assignee: **Emhart Inc.**, Newark, Del.

[**] Term: **14 Years**

[21] Appl. No.: **914,066**

[22] Filed: **Jul. 16, 1992**

[52] U.S. Cl. **D23/238**

[58] Field of Search **D23/238-243;**
4/675-678; 137/606, 625.17, 801

[56] **References Cited**

U.S. PATENT DOCUMENTS

D. 213,874	4/1969	Landell et al.	D23/238
D. 219,779	1/1971	Tiller	D23/238
D. 235,546	6/1975	Landell	D23/241
D. 291,232	8/1987	Haug et al.	D23/238
D. 324,904	3/1992	Haug et al.	D23/238
4,337,795	7/1982	Argyris et al.	137/625.17

OTHER PUBLICATIONS

Domestic Engineering, Sep. 1963, top right item; p. 155.
Delta Faucet Company Catalog ©1976, p. 5, Models
100 & 101.

Primary Examiner—James R. Largen
Attorney, Agent, or Firm—J. Bruce Hoofnagle

[57] **CLAIM**

The ornamental design for kitchen faucet, as shown and
described.

DESCRIPTION

FIG. 1 is a front elevational view of a kitchen faucet
showing my new design;
FIG. 2 is a rear elevational view thereof;
FIG. 3 is a left side elevational view thereof, the right
side being a mirror image of the left side;
FIG. 4 is a top plan view thereof; and,
FIG. 5 is a bottom plan view thereof.

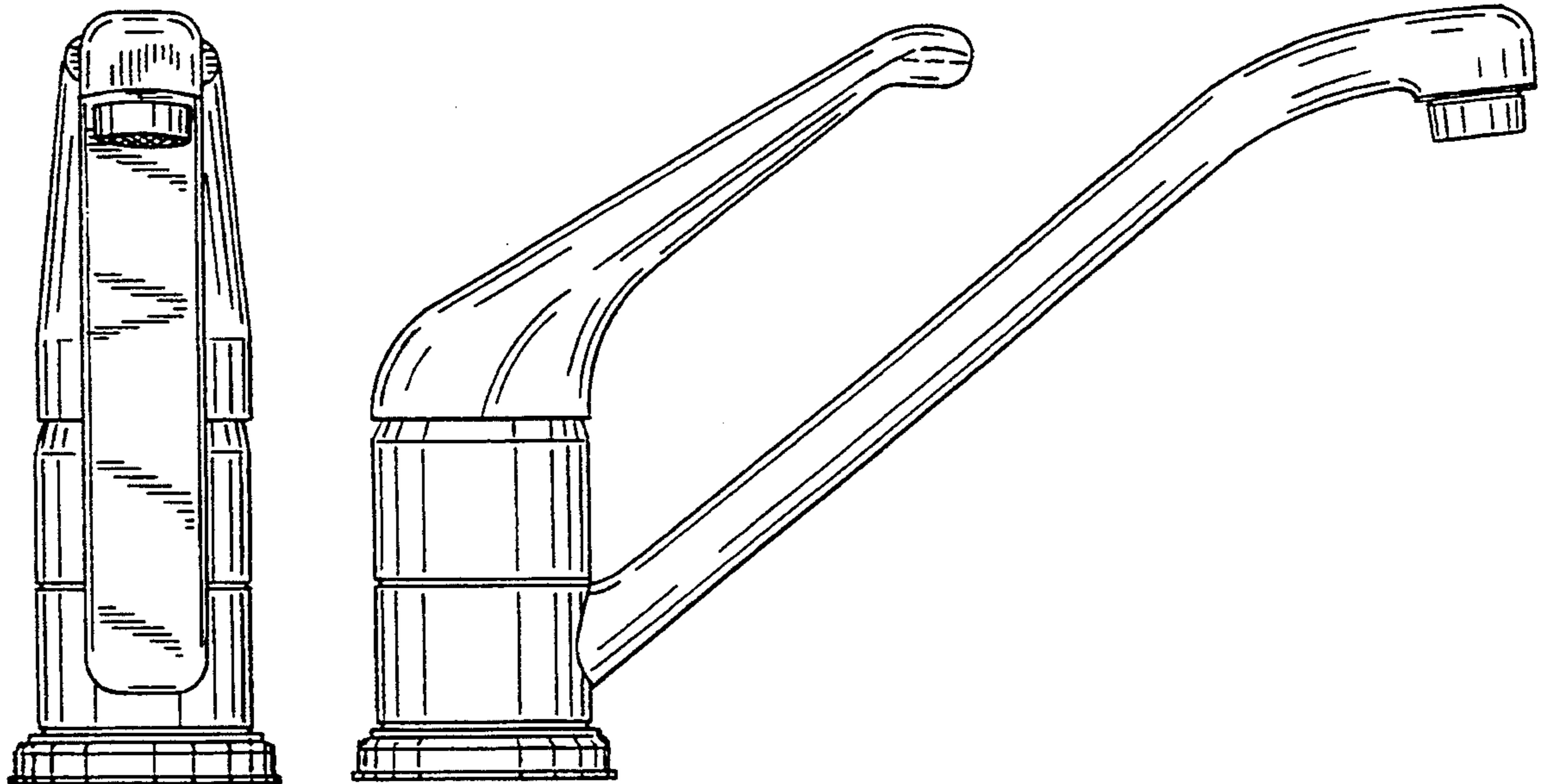


FIG. 1

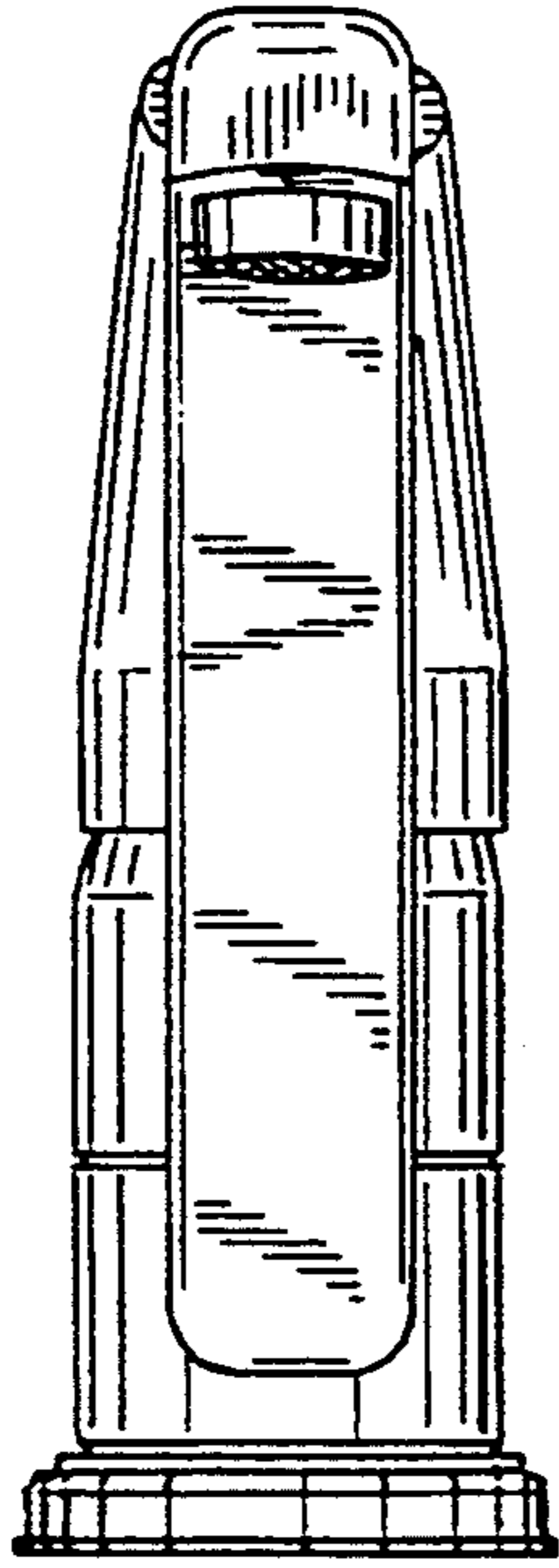


FIG. 2

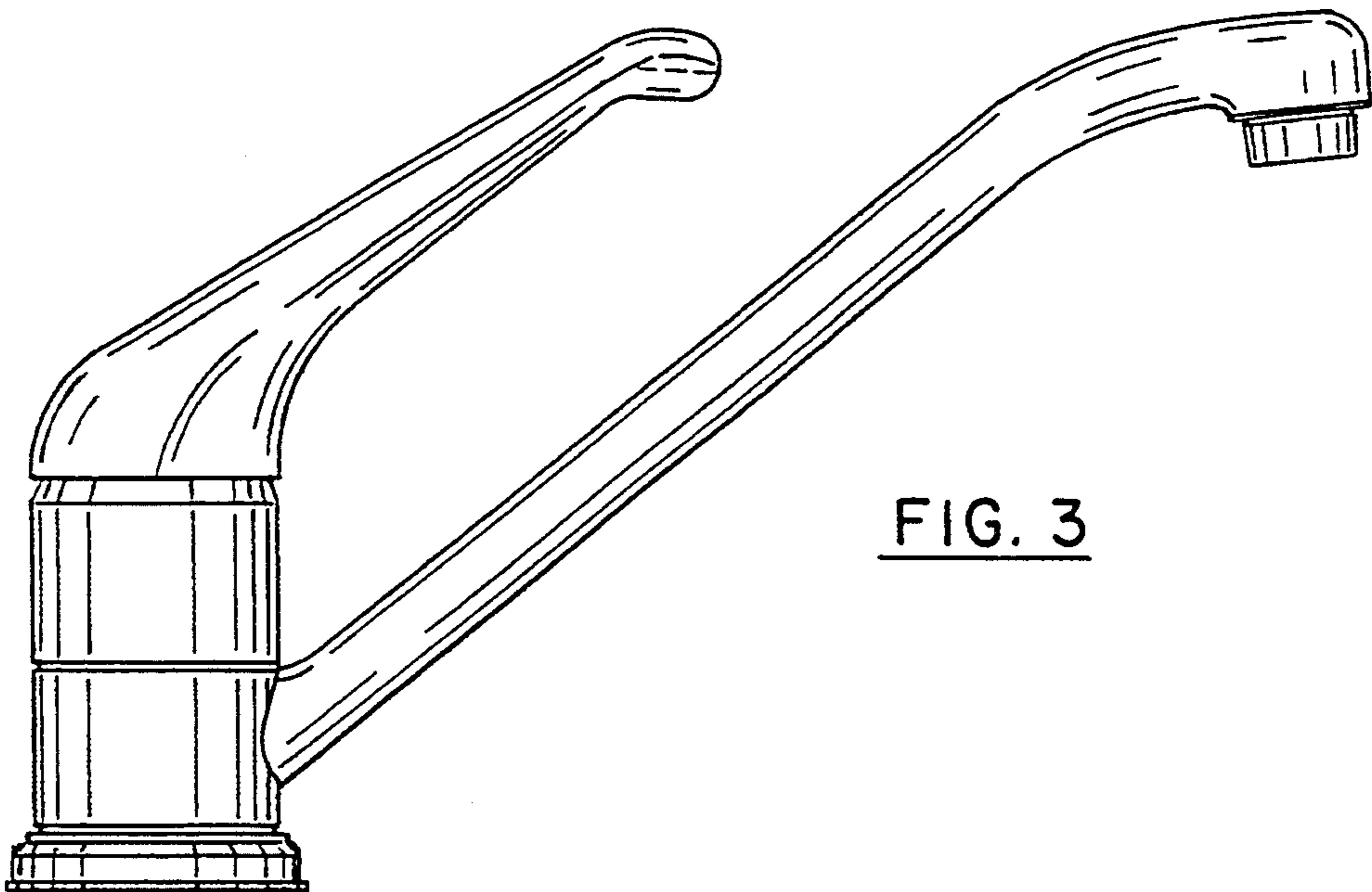
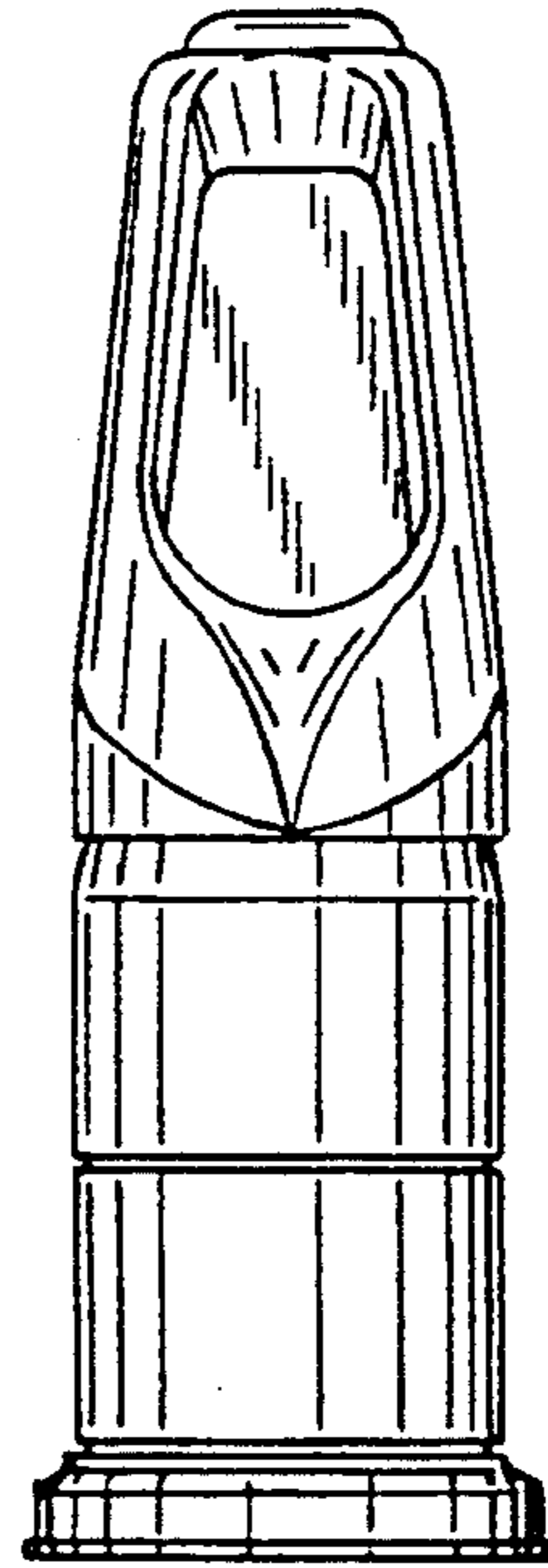


FIG. 3

FIG. 4

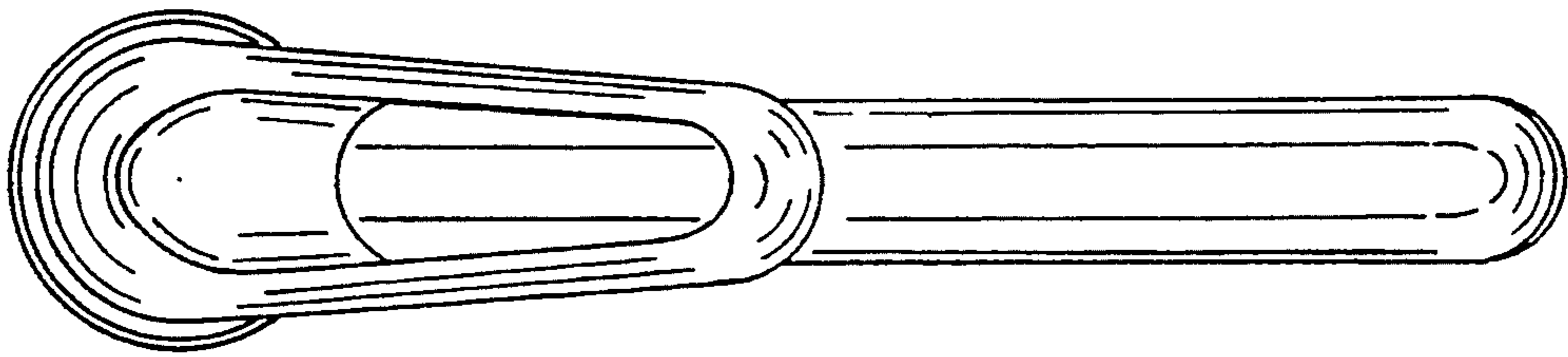


FIG. 5

