



US00D354111S

United States Patent [19]

[11] Patent Number: **Des. 354,111**

Karppinen

[45] Date of Patent: **** Jan. 3, 1995**

[54] **ADJUSTABLE REAR SIGHT FOR GUN**

OTHER PUBLICATIONS

[76] Inventor: **Sampo Karppinen**, Lahnakuja 2,
Fin-90550 Oulu, Finland

Police, May 1991, p. 25 Trijicon Sight.

[**] Term: **14 Years**

Primary Examiner—A. Hugo Word
Assistant Examiner—Doris V. Coles
Attorney, Agent, or Firm—Burns, Doane, Swecker &
Mathis

[21] Appl. No.: **16,454**

[57] CLAIM

[22] Filed: **Dec. 17, 1993**

The ornamental design for an adjustable rear sight for gun, as shown and described.

[52] U.S. Cl. **D22/109**

[58] Field of Search **D22/109, 110; 33/233, 33/241, 243, 252-260; 42/100, 101, 102**

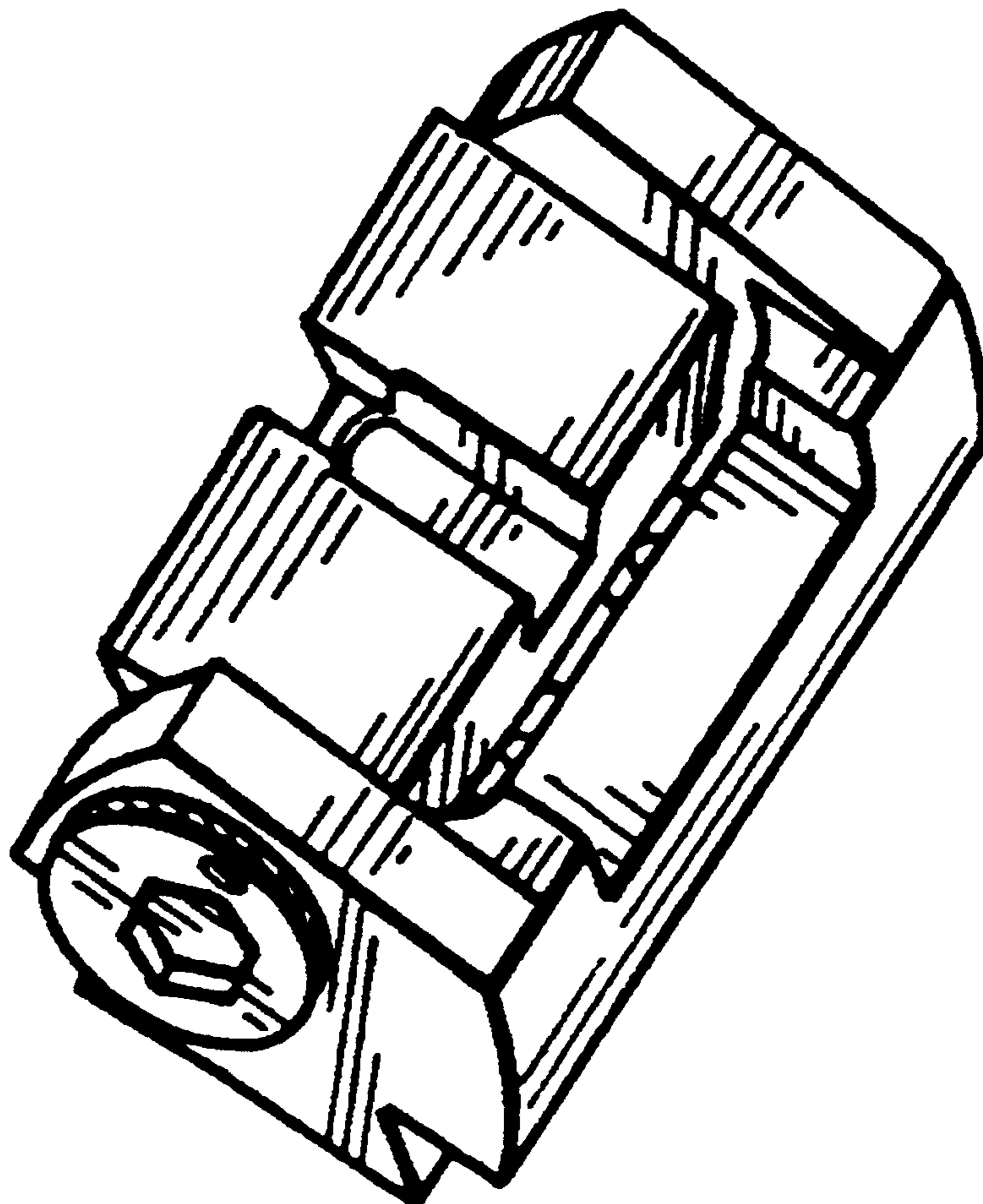
DESCRIPTION

[56] References Cited

U.S. PATENT DOCUMENTS

- D. 254,680 4/1980 Behlert D22/109
- D. 268,203 3/1983 Woodham D22/109
- D. 277,774 2/1985 Ruffino D22/109

FIG. 1 is a perspective top view of an adjustable rear sight for gun showing my new design;
 FIG. 2 is a top view thereof;
 FIG. 3 is a bottom view thereof;
 FIG. 4 is a front view thereof;
 FIG. 5 is a back view thereof;
 FIG. 6 is a side view thereof; and,
 FIG. 7 is a view of the opposite side of FIG. 6.



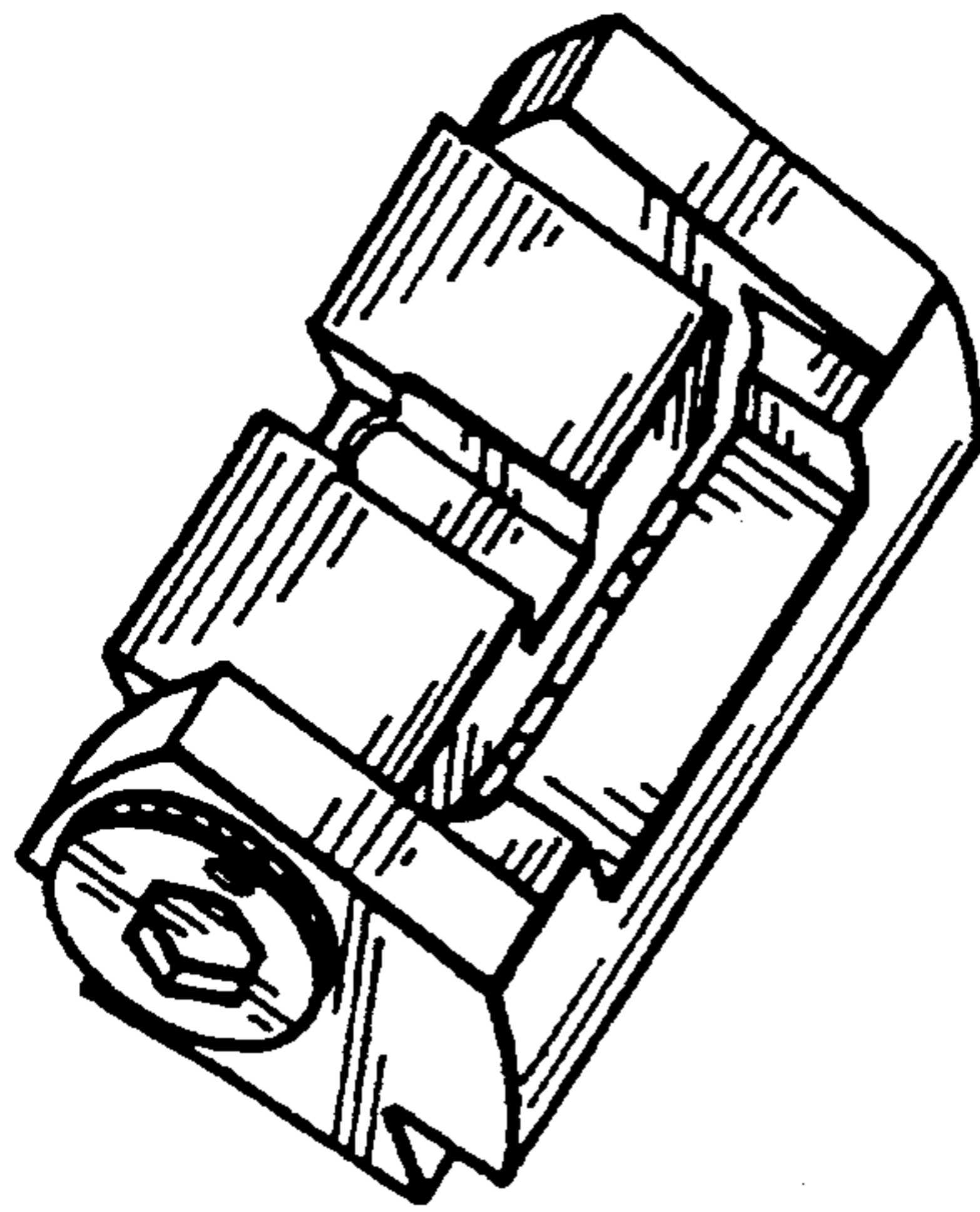


FIG. 1

FIG. 2

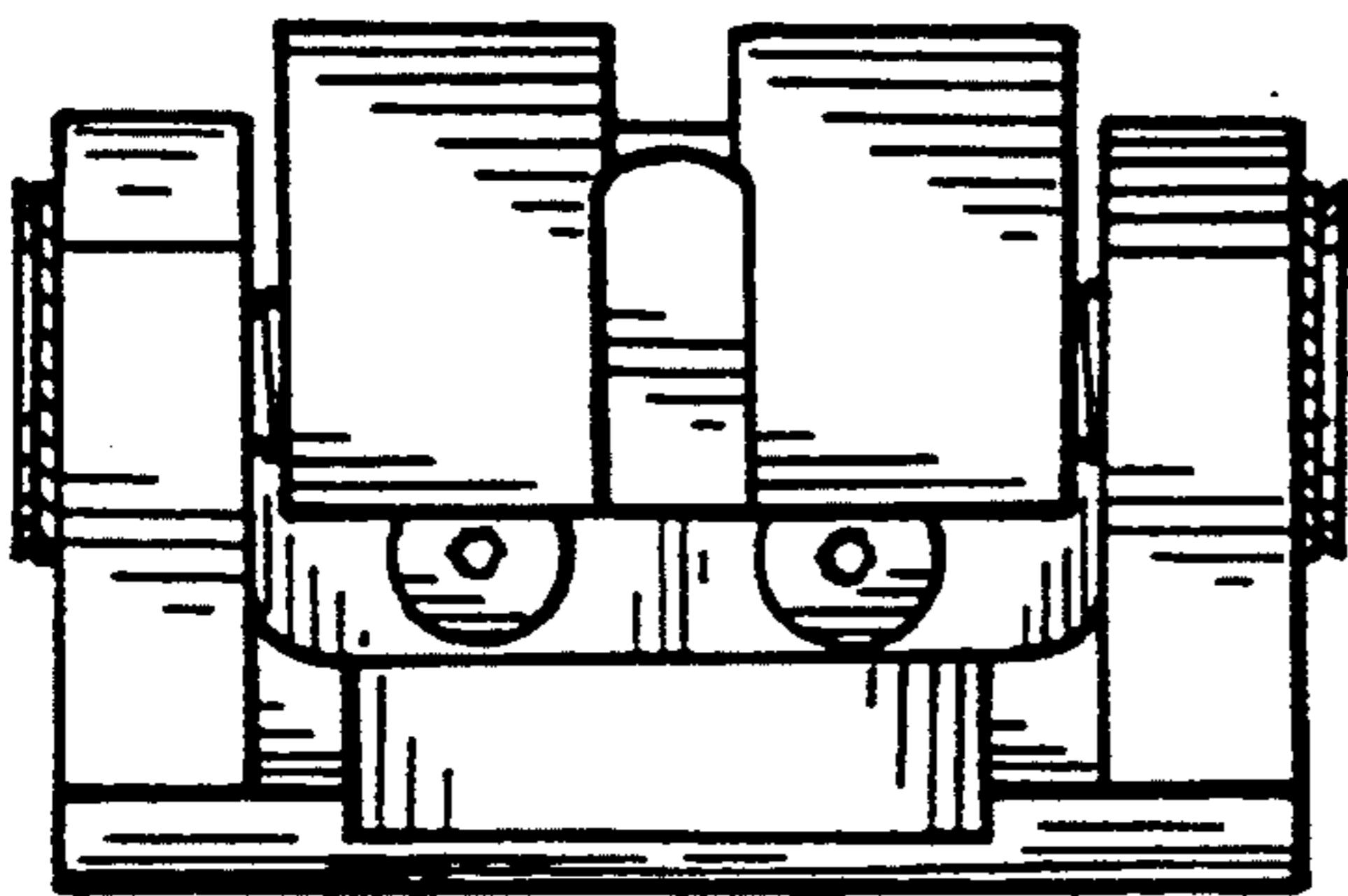


FIG. 4

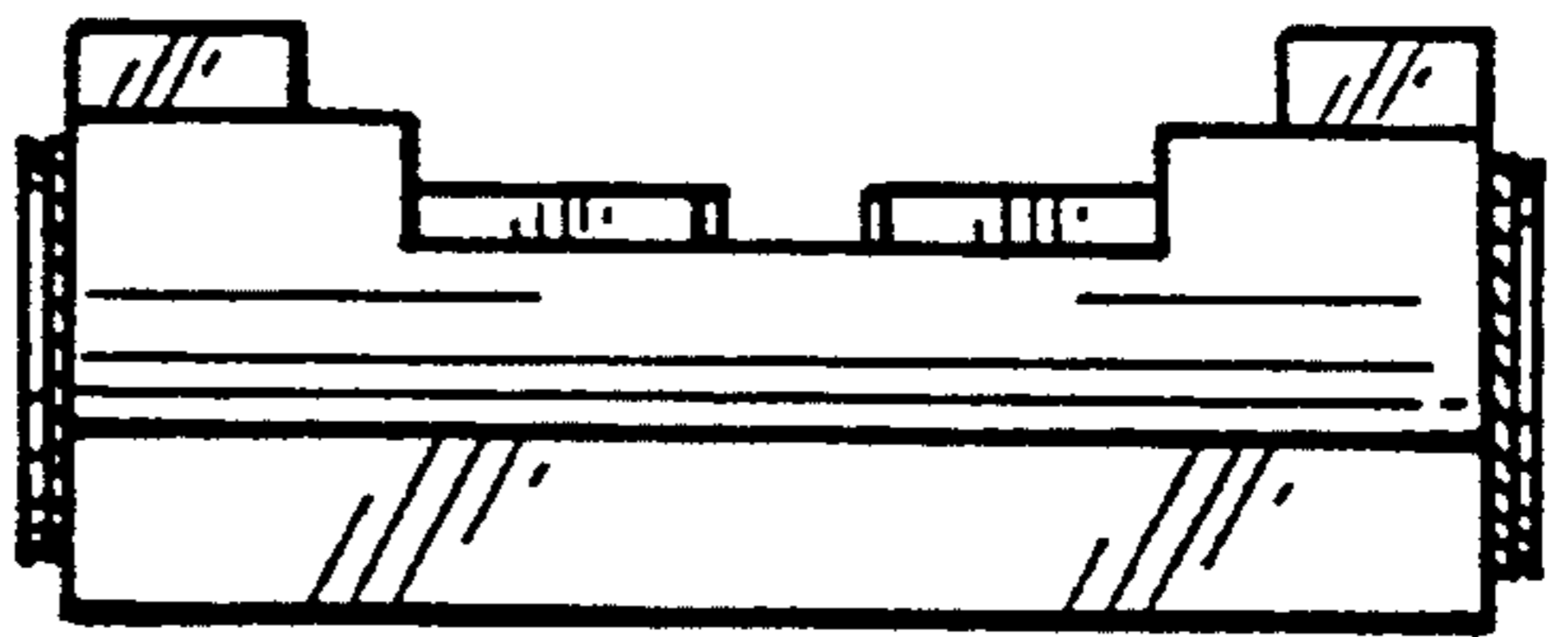
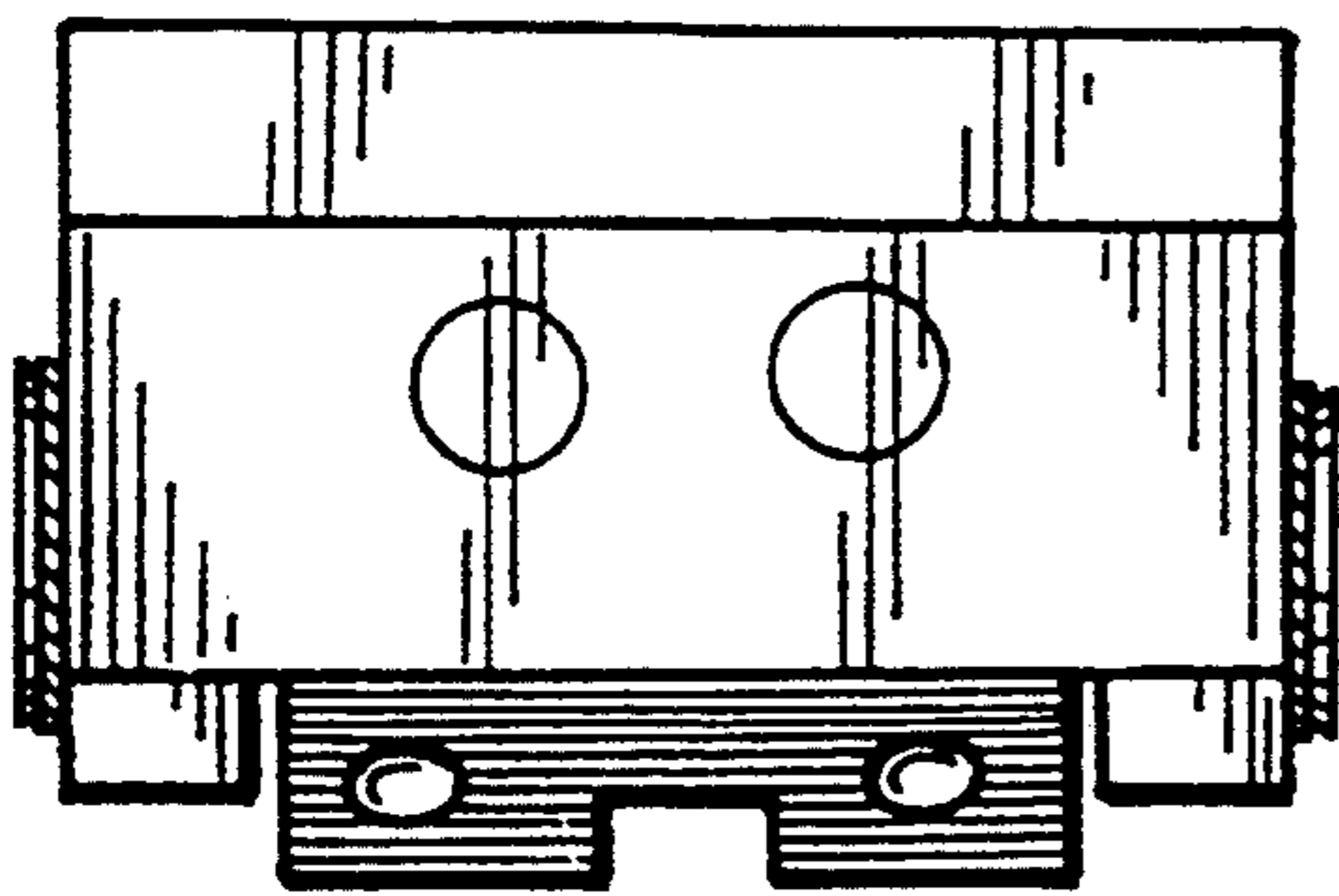
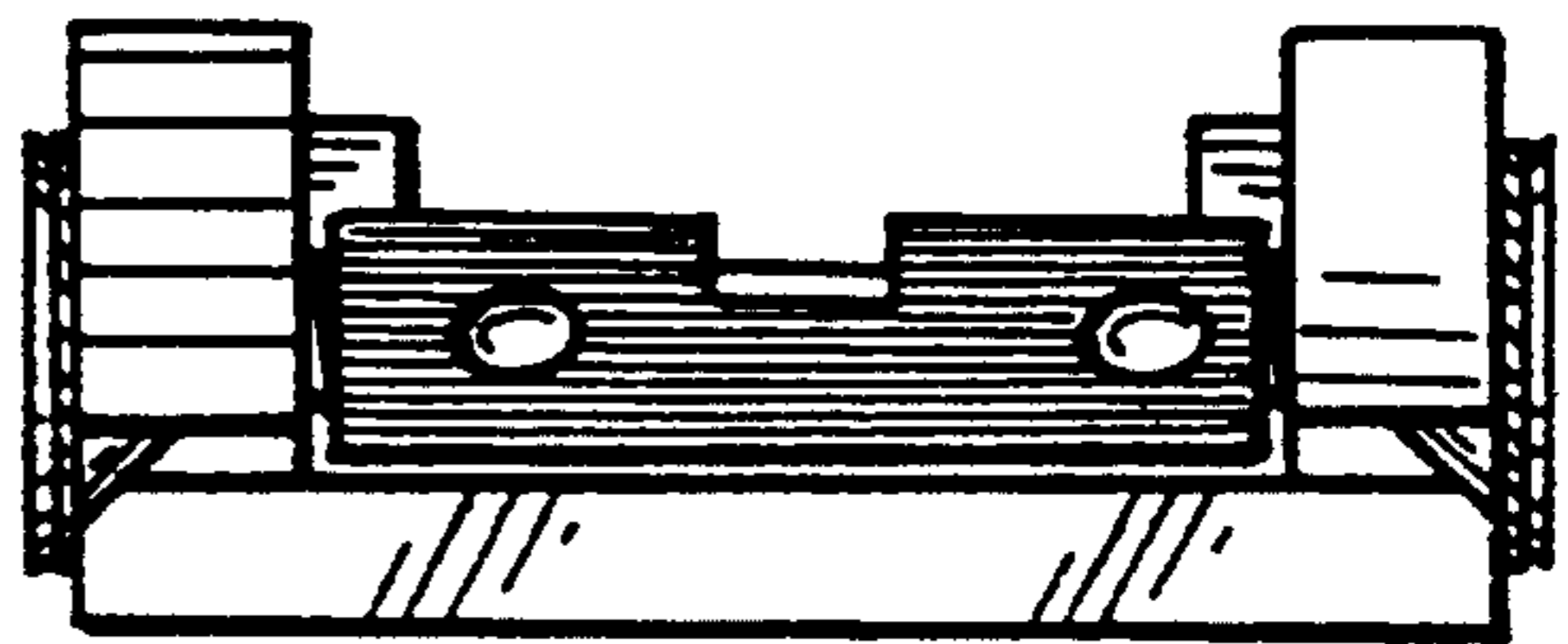


FIG. 3

FIG. 5

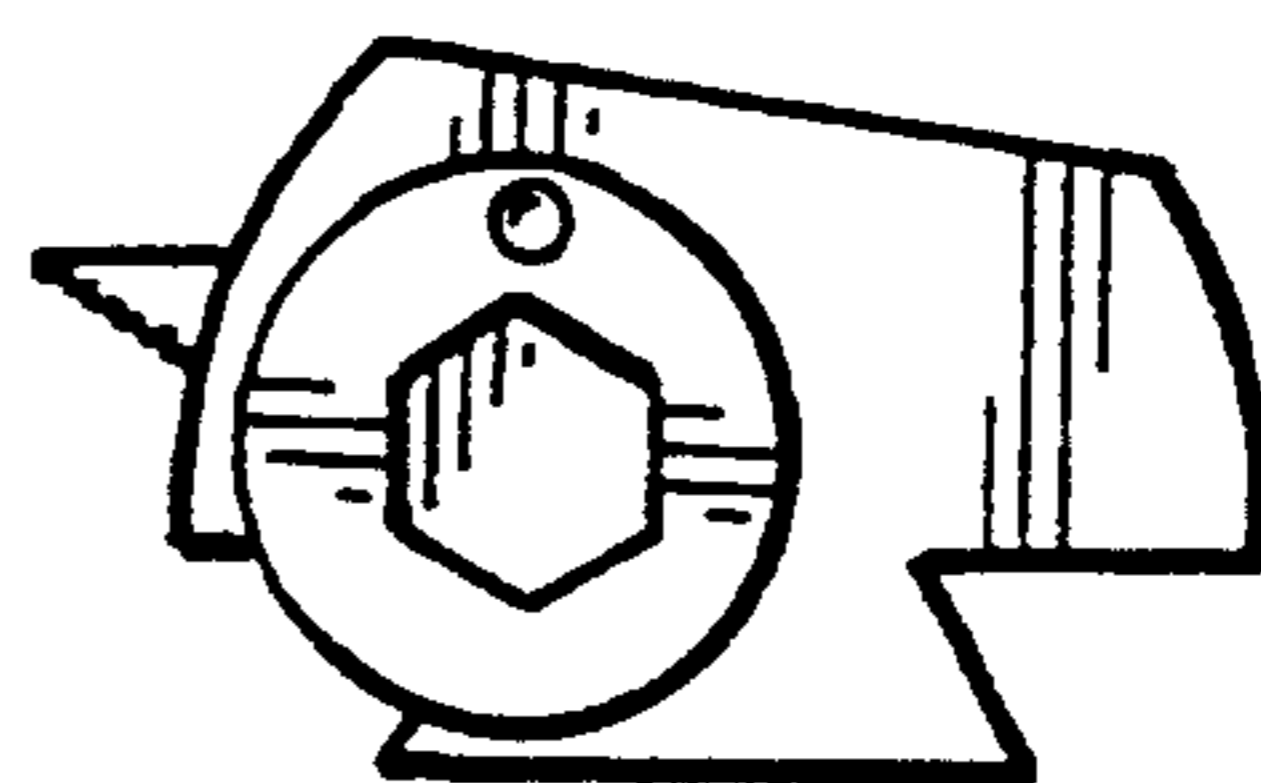
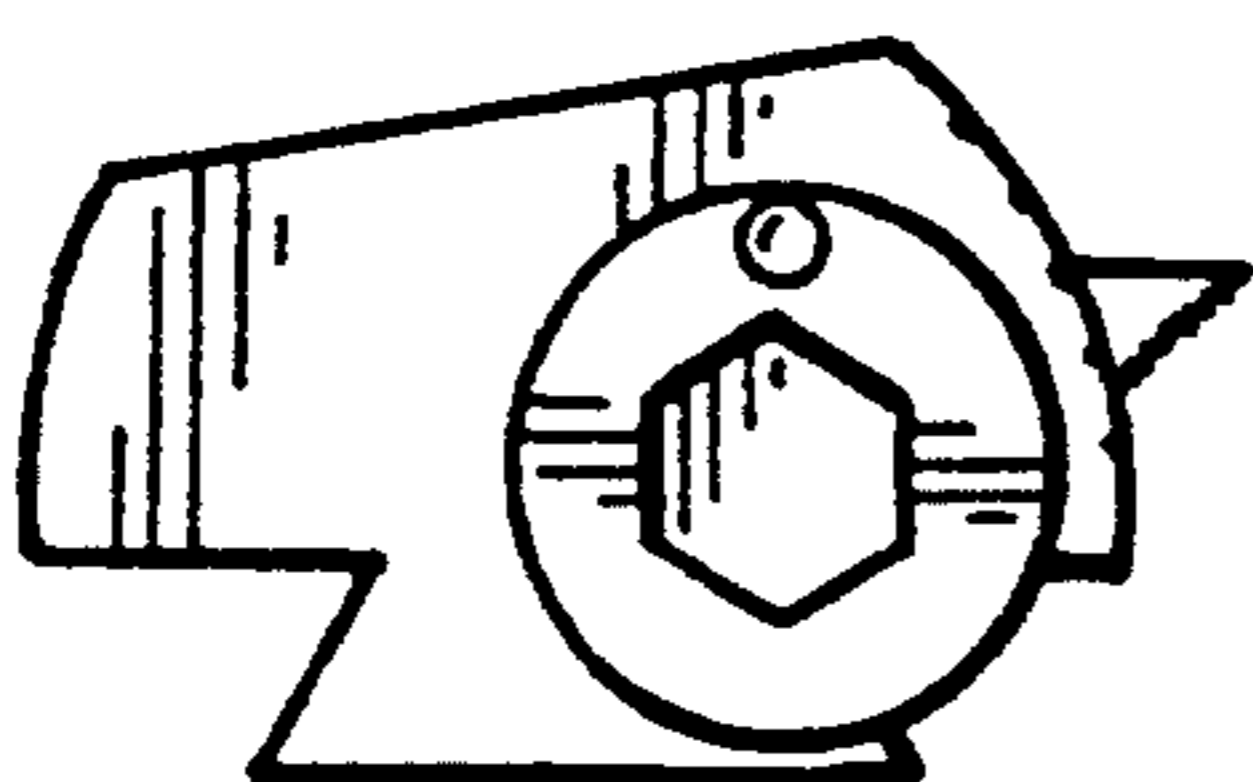


FIG. 6

FIG. 7