



US00D354108S

# United States Patent [19]

[11] Patent Number: **Des. 354,108**

Houry et al.

[45] Date of Patent: **\*\* Jan. 3, 1995**

[54] **CURVED RECTANGULAR PANEL FOR PLAYGROUND STRUCTURE**

4,369,965 1/1983 Ahrens ..... D21/244 X

[75] Inventors: **Robert L. Houry; Keith D. Ratliff**, both of Farmington, Mo.

[73] Assignee: **The Little Tikes Company**, Hudson, Ohio

[\*\*] Term: **14 Years**

[21] Appl. No.: **14,993**

[22] Filed: **Nov. 8, 1993**

[52] U.S. Cl. .... **D21/240**

[58] Field of Search ..... **D21/240, 244, 245, 109; 482/35; 446/314, 124, 125**

### OTHER PUBLICATIONS

P. 86, Safety panel; Iron Mountain Forge, P.O. Box 897, One Iron Mountain Drive, Farmington, Mo. 63640-8097, Publication date 1992.

*Primary Examiner*—Bernard Ansher

*Assistant Examiner*—Mitchell I. Siegel

*Attorney, Agent, or Firm*—Richard B. O'Planick; Lisa B. Riedesel

### [57] CLAIM

The ornamental design for a curved rectangular panel for playground structure, as shown and described.

### DESCRIPTION

FIG. 1 is a top left front perspective view of a curved rectangular panel for playground structure showing our new design;

FIG. 2 is a top plan view thereof;

FIG. 3 is a bottom plan view thereof;

FIG. 4 is a front elevational view thereof;

FIG. 5 is a left side elevational view thereof;

FIG. 6 is a right side elevational view thereof; and,

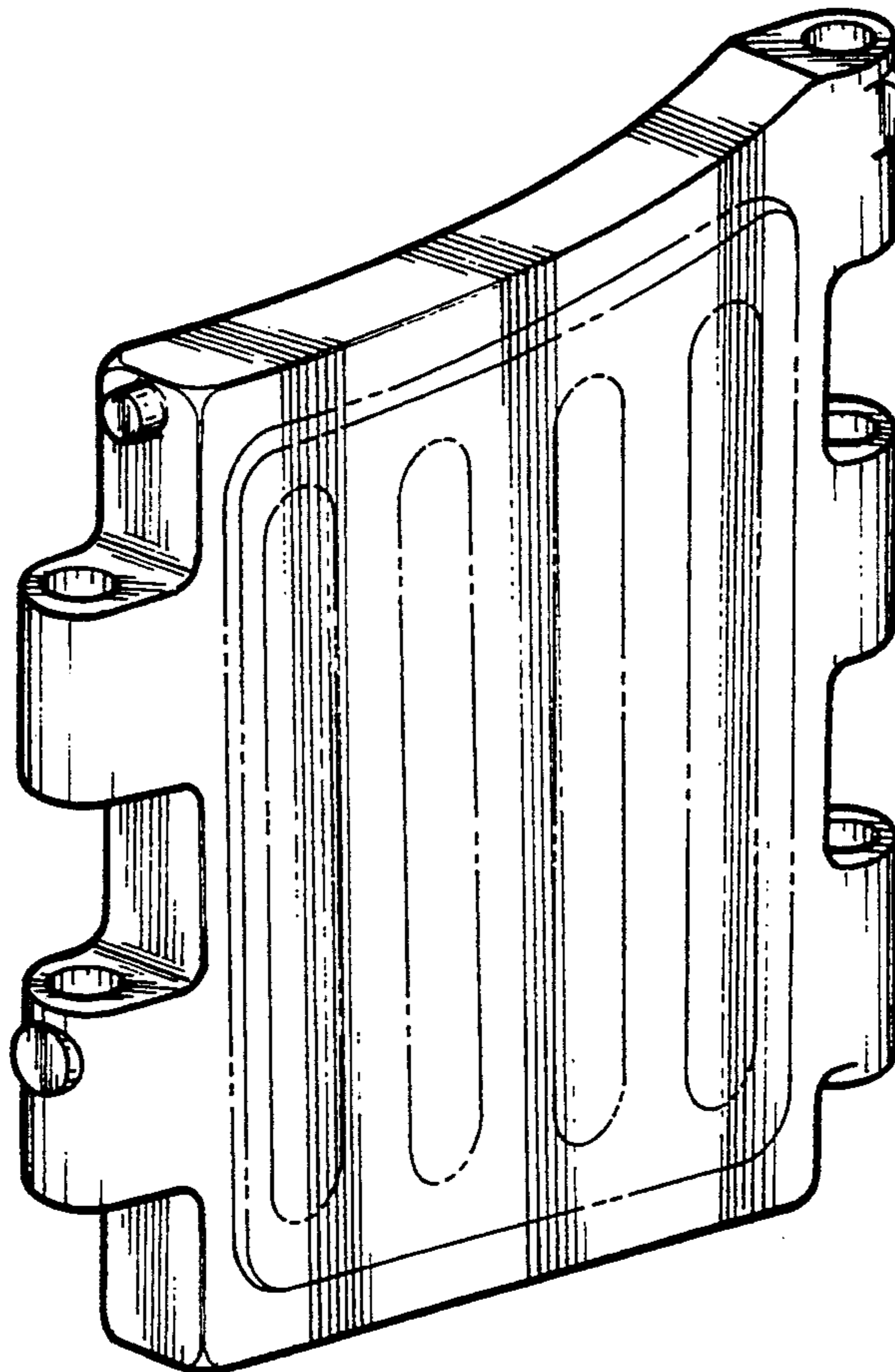
FIG. 7 is a rear elevational view thereof.

The broken line showing of openings are for illustrative purposes only and forms no part of the claimed design.

### [56] References Cited

#### U.S. PATENT DOCUMENTS

D. 285,585	9/1986	Murdough et al. ....	D21/108
D. 285,586	9/1986	Murdough et al. ....	D21/108
D. 285,587	9/1986	Murdough et al. ....	D21/108
D. 303,826	10/1989	Aker .....	D21/244
D. 314,407	2/1991	Wentling .....	D21/109
D. 334,610	4/1993	Aker .....	D21/244
D. 343,438	1/1994	Fish, Jr. ....	D21/244
3,485,494	12/1969	Lieberman .....	D21/245 X
3,561,757	2/1971	Schillig .....	D21/245 X
3,949,985	4/1976	Stampfli .....	482/35



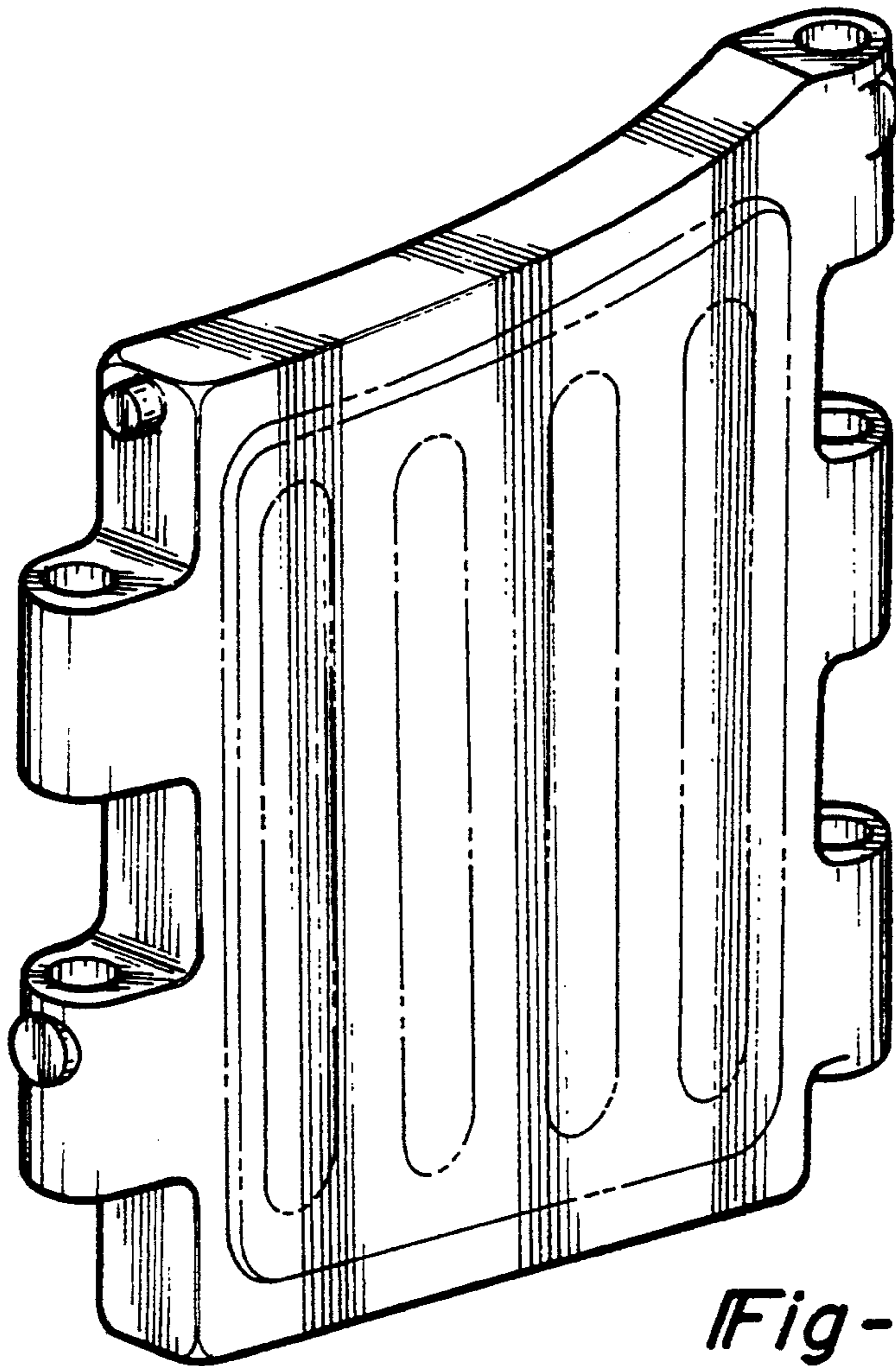


Fig-1

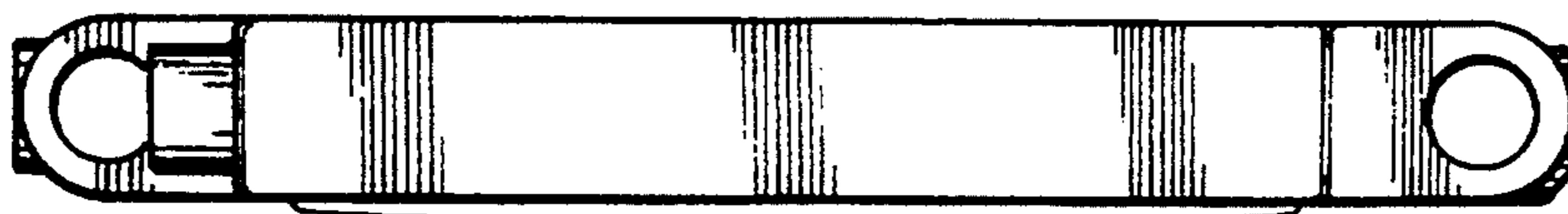


Fig-2



Fig-3

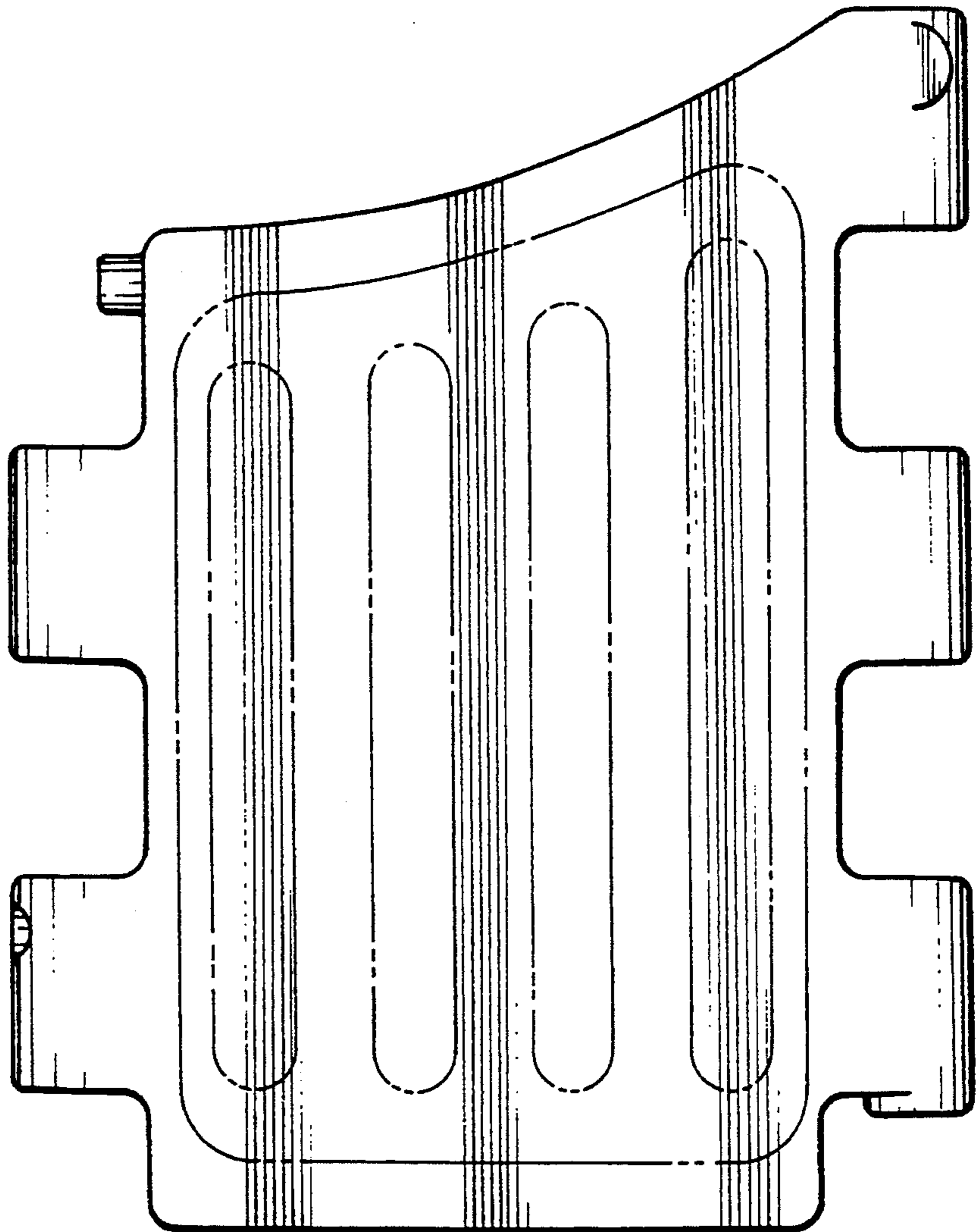


Fig-4

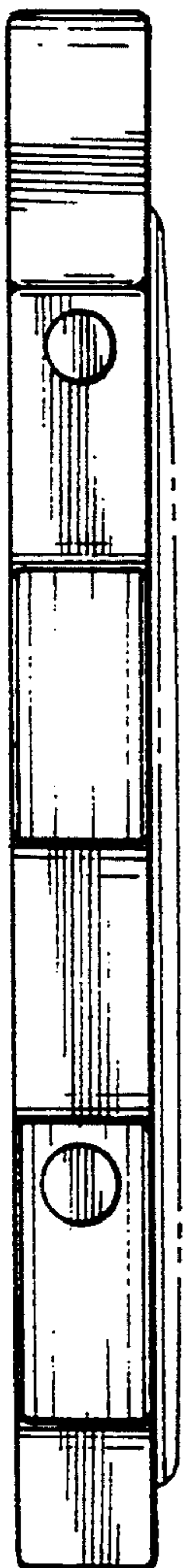


Fig-5

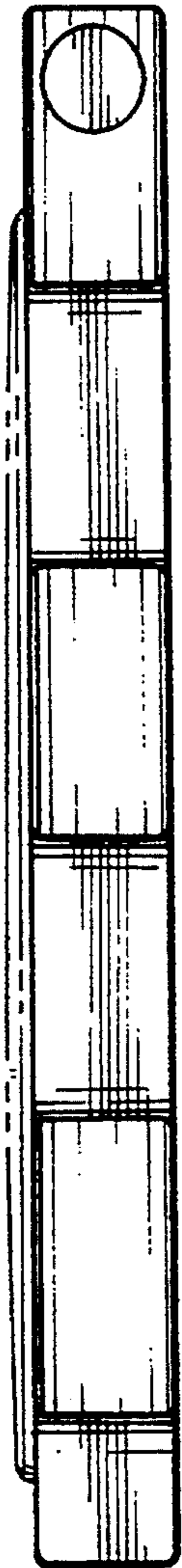


Fig-6

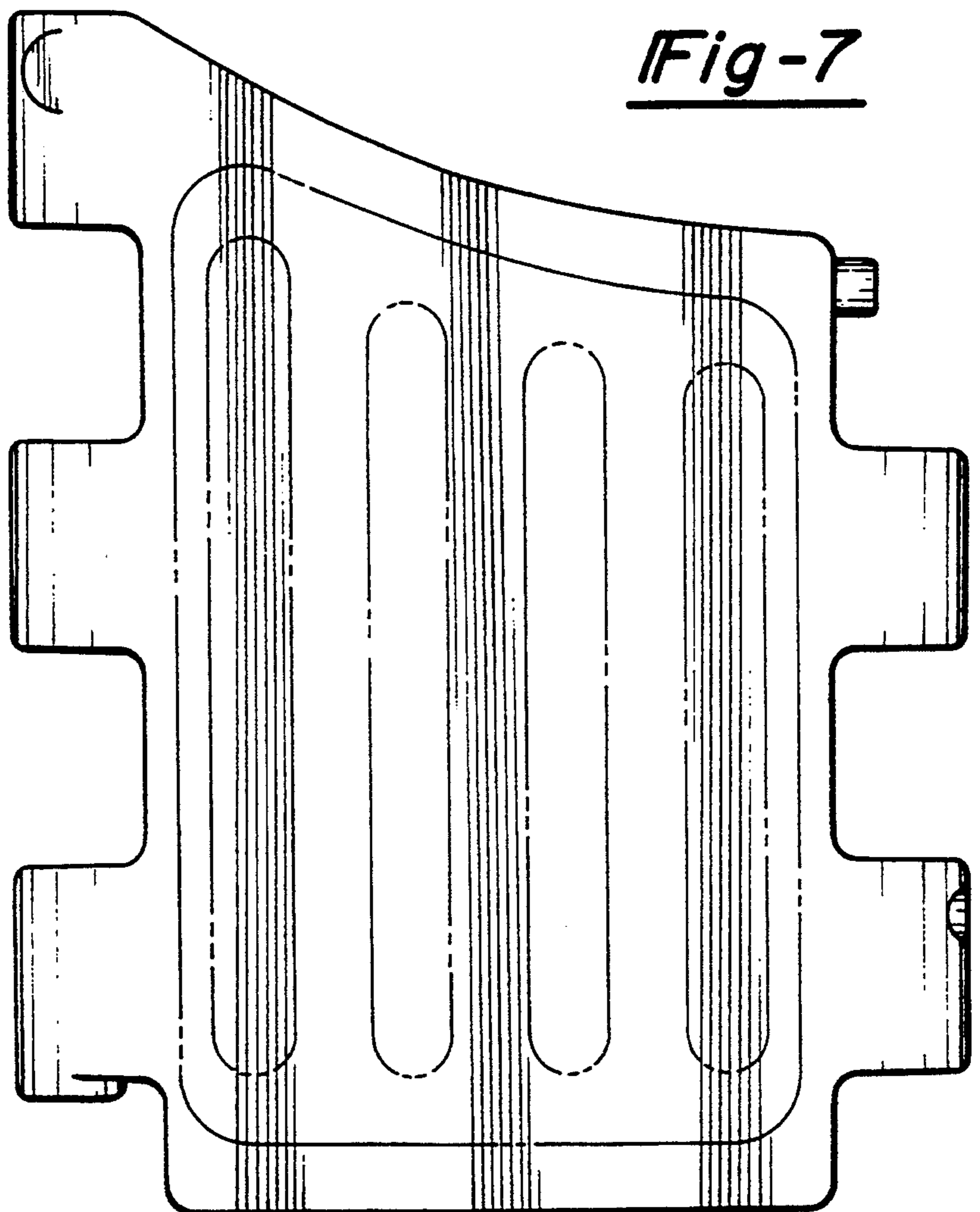


Fig-7