



US00D354107S

United States Patent [19]

[11] Patent Number: **Des. 354,107**

Kueng et al.

[45] Date of Patent: **** Jan. 3, 1995**

[54] **PUTTING AID**

Attorney, Agent, or Firm—Douglas L. Tschida

[76] Inventors: **Jeffrey S. Kueng; Cynthia M. Kueng**,
both of 2731 Mackubin St. 17,
Roseville, Minn. 55113

[57] **CLAIM**

The ornamental design for a putting aid, as shown and described.

[**] Term: **14 Years**

DESCRIPTION

[21] Appl. No.: **3,892**

FIG. 1 is a perspective view of a putting aid showing our new design;

[22] Filed: **Jan. 21, 1993**

FIG. 2 is a top plan view thereof;

[52] U.S. Cl. **D21/234**

FIG. 3 is a bottom plan view thereof;

[58] Field of Search **D21/234; 273/192, 187 R, 273/187 A, 81 R, 165, 166**

FIG. 4 is a left side elevation view thereof, the right side view being identical;

[56] References Cited

U.S. PATENT DOCUMENTS

D. 199,127	9/1964	Nelson	D21/234
D. 338,512	8/1993	Crow et al.	D21/234
2,750,195	6/1956	Ching	273/187.1
2,992,005	7/1961	Lockhart	273/187.1 X
3,615,095	10/1971	LaFontaine	273/187 R
4,765,625	8/1988	Miner	273/187.1

FIG. 5 is a front end elevation view thereof, the rear end view being identical;

FIG. 6 is a cross section view taken along section line 6—6 of FIG. 2;

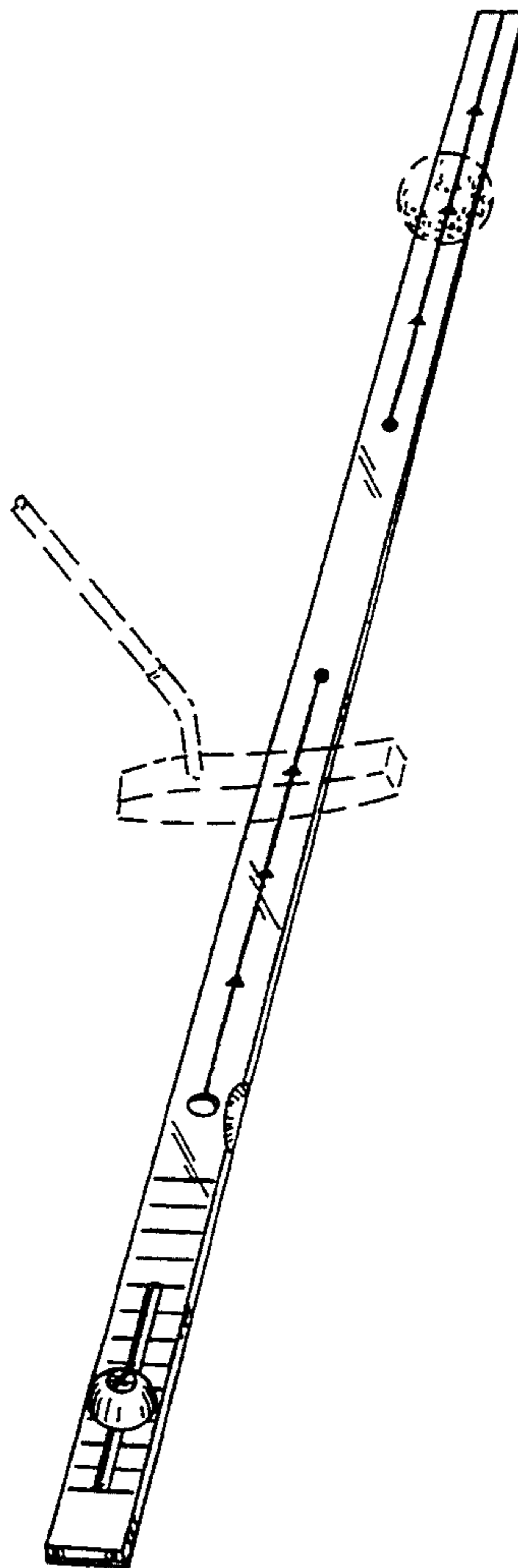
FIG. 7 is a perspective view of a second alternate embodiment; and,

FIG. 8 is a perspective view of a third alternate embodiment.

Primary Examiner—Melvin B. Feifer

Assistant Examiner—Cheri Cohen

The broken line showing of the golf ball and club head in FIG. 1 is for illustrative purposes only and forms no part of the claimed design.



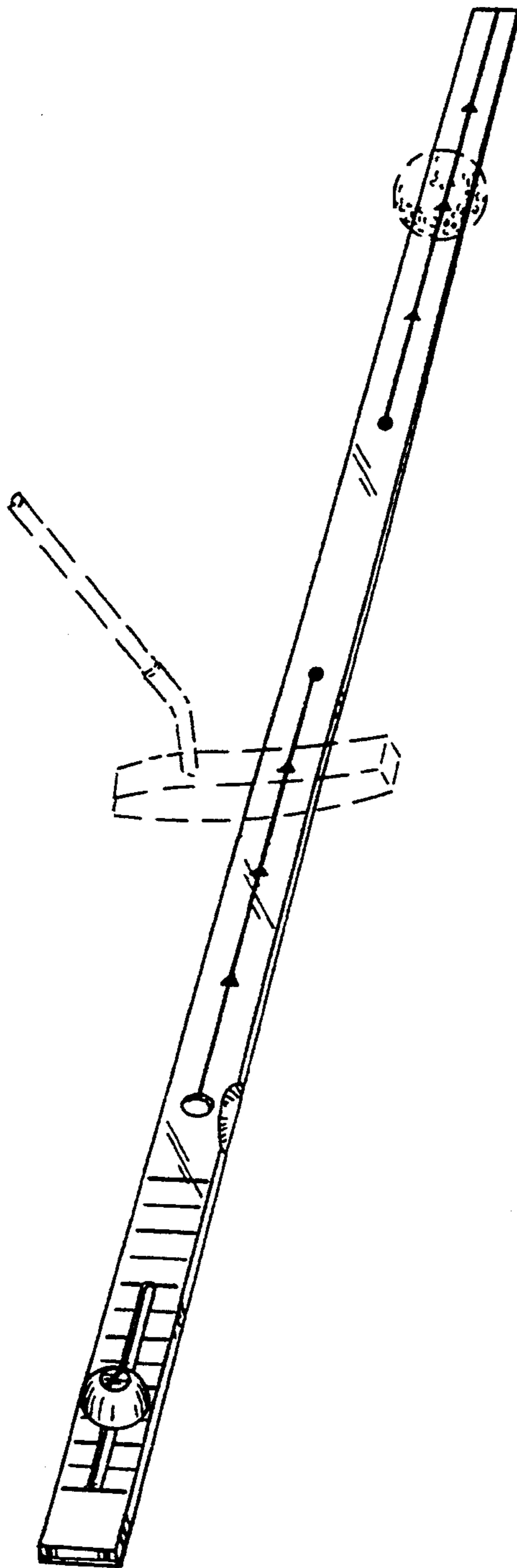


FIG. 1

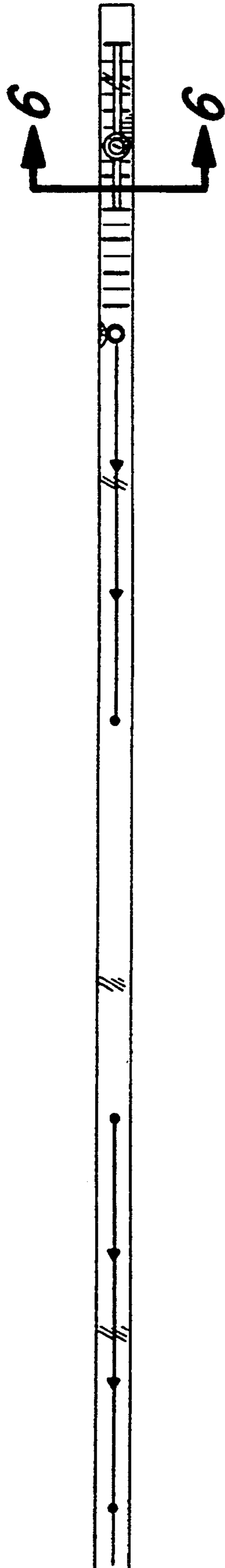


FIG. 2



FIG. 3



FIG. 4

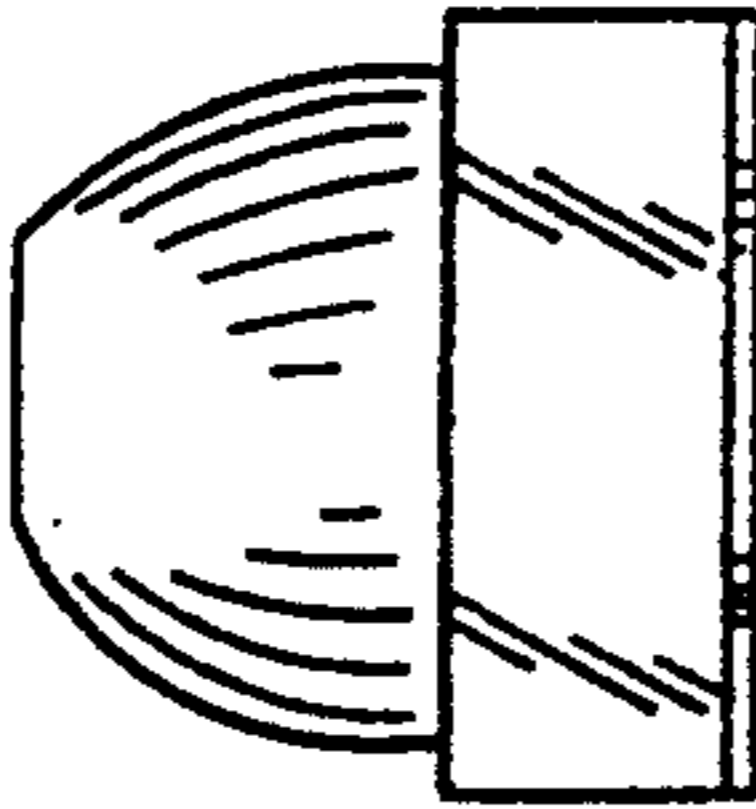


FIG. 5

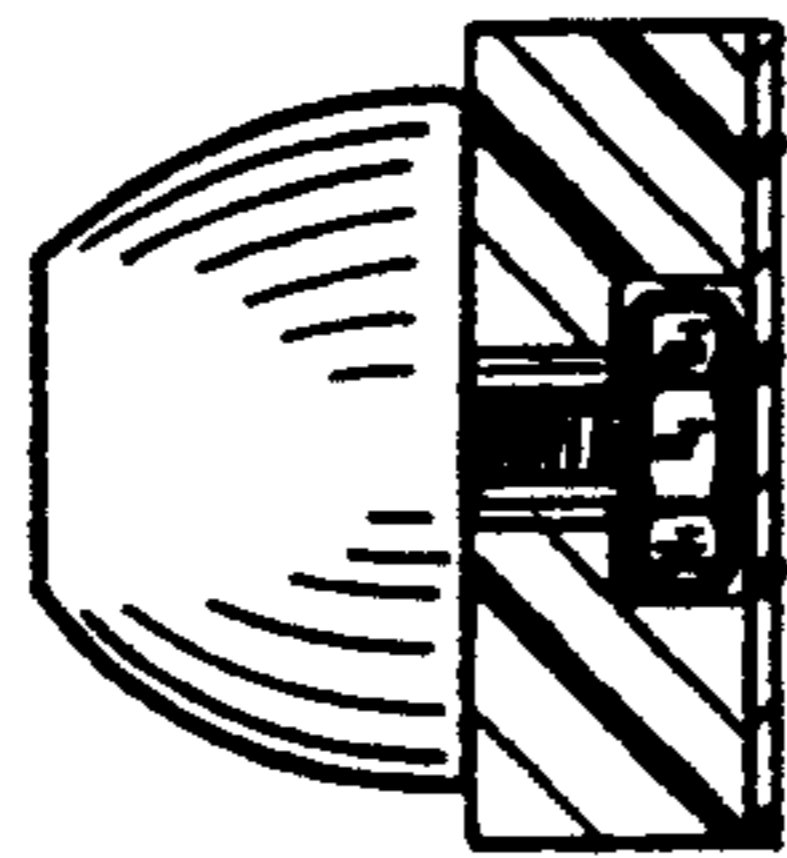


FIG. 6

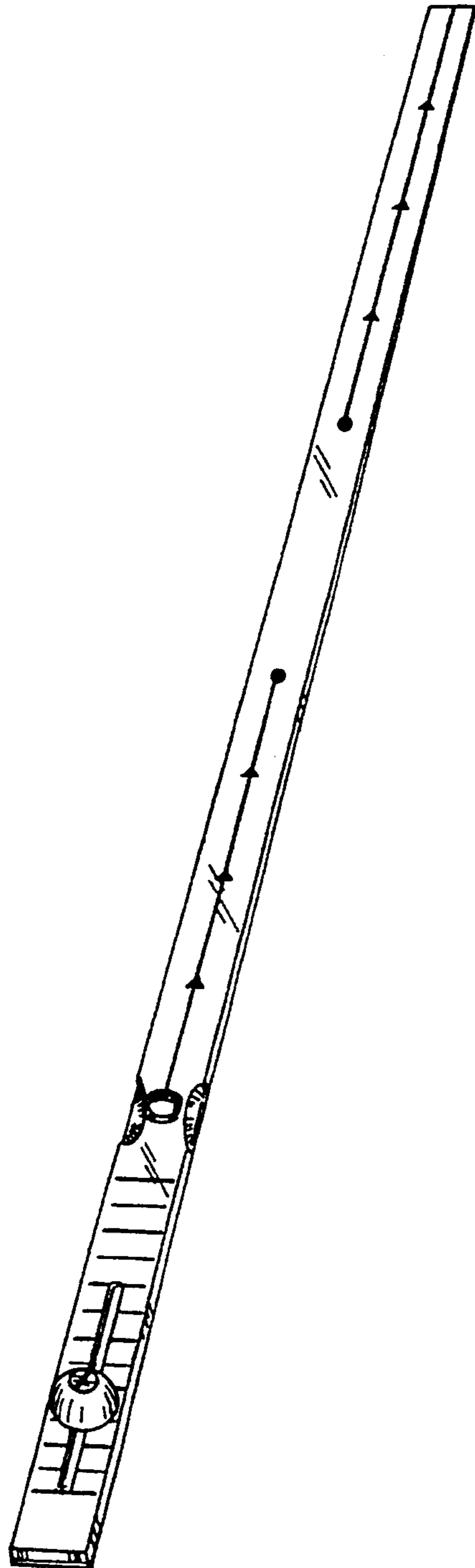


FIG. 7

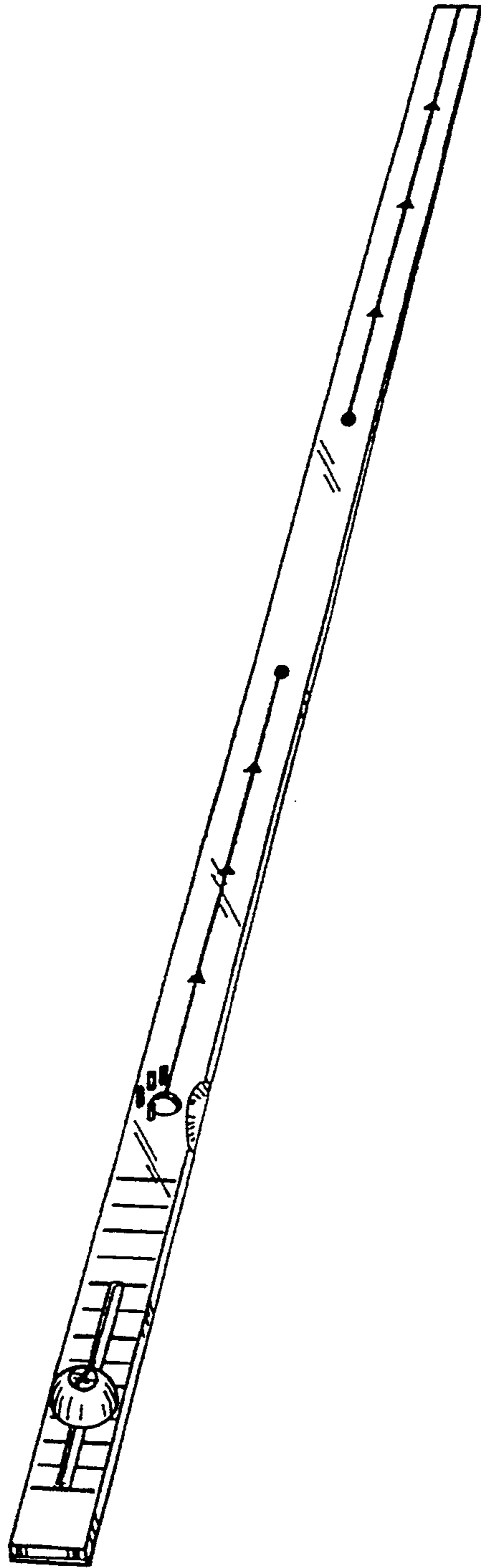


FIG. 8