



US00D354104S

United States Patent [19]
Hardy

[11] **Patent Number: Des. 354,104**
[45] **Date of Patent: ** Jan. 3, 1995**

[54] **PUTTER CLUB HEAD**
[76] **Inventor: John L. Hardy, R.D. 1 Pine St., Rensselaer, N.Y. 12144**
[**] **Term: 14 Years**
[21] **Appl. No.: 4,838**
[22] **Filed: Jan. 7, 1993**
[52] **U.S. Cl. D21/219**
[58] **Field of Search D21/214-220; 273/167-175, 164.1**

4,756,535 7/1988 Bradley .
4,815,739 3/1989 Donica .
4,919,428 4/1990 Perkins .
4,934,702 6/1990 Serizawa .

Primary Examiner—Melvin B. Feifer
Attorney, Agent, or Firm—Schmeiser, Morelle & Watts

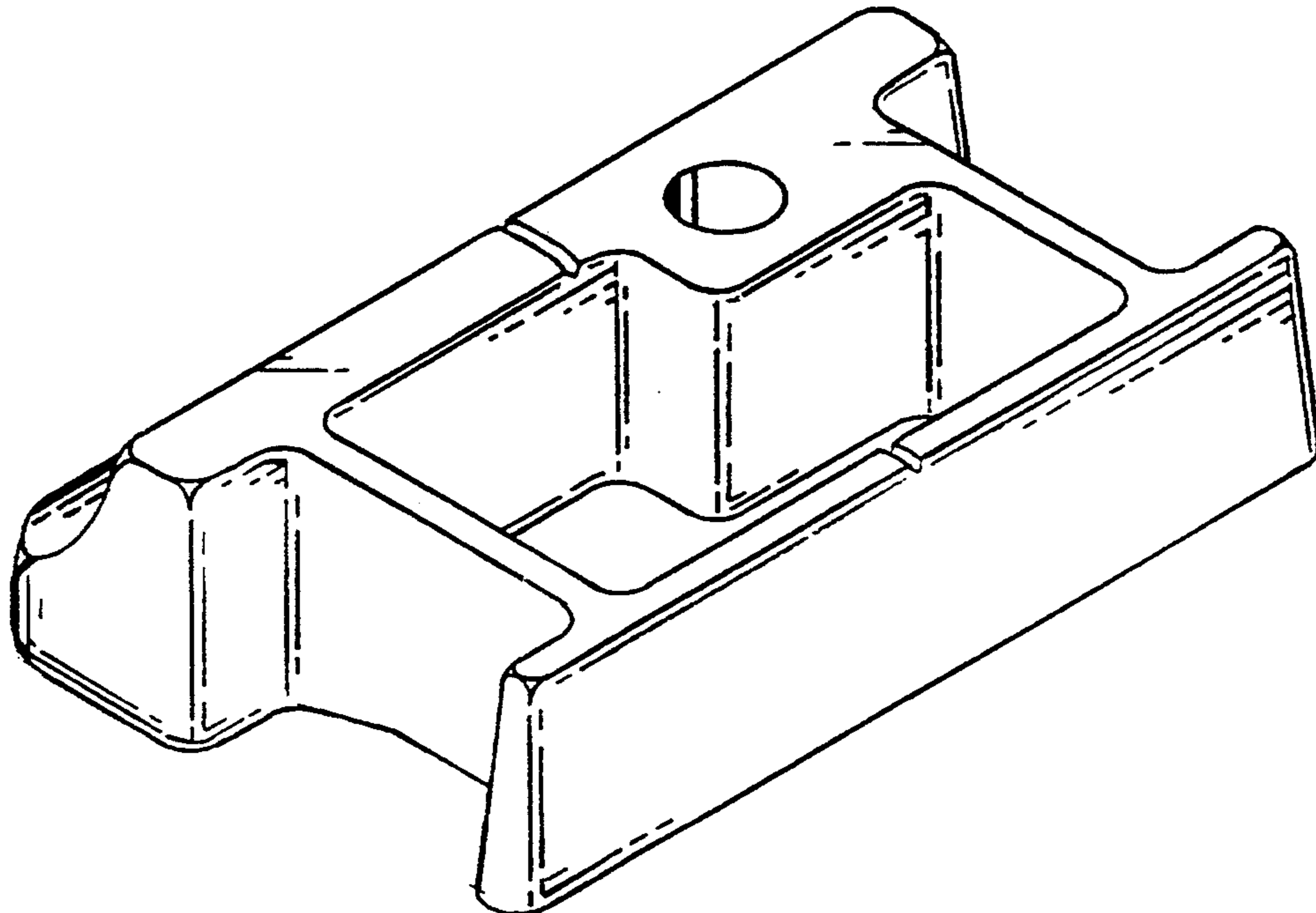
[57] **CLAIM**

The ornamental design for a putter club head, as shown and described.

DESCRIPTION

FIG. 1 is a top plan view of a putter club head showing my new design;
FIG. 2 is a left side elevation;
FIG. 3 is a front elevation;
FIG. 4 is a right side elevation;
FIG. 5 is a rear elevation;
FIG. 6 is a bottom plan view;
FIG. 7 is an isometric plan as viewed from above; and,
FIG. 8 is an isometric plan as viewed from below.
The broken line showing of a shaft portion is for illustrative purposes only.

[56] **References Cited**
U.S. PATENT DOCUMENTS
D. 229,622 12/1973 Bartrou D21/218
D. 231,373 4/1974 Pavelle .
D. 339,181 9/1993 Grim, Jr. D21/218
3,399,898 9/1968 Burkland .
3,770,279 11/1973 Phinny .
4,010,958 3/1977 Long .
4,121,833 10/1978 Prueter .
4,253,667 3/1981 Clark et al. .
4,754,976 7/1988 Pelz .



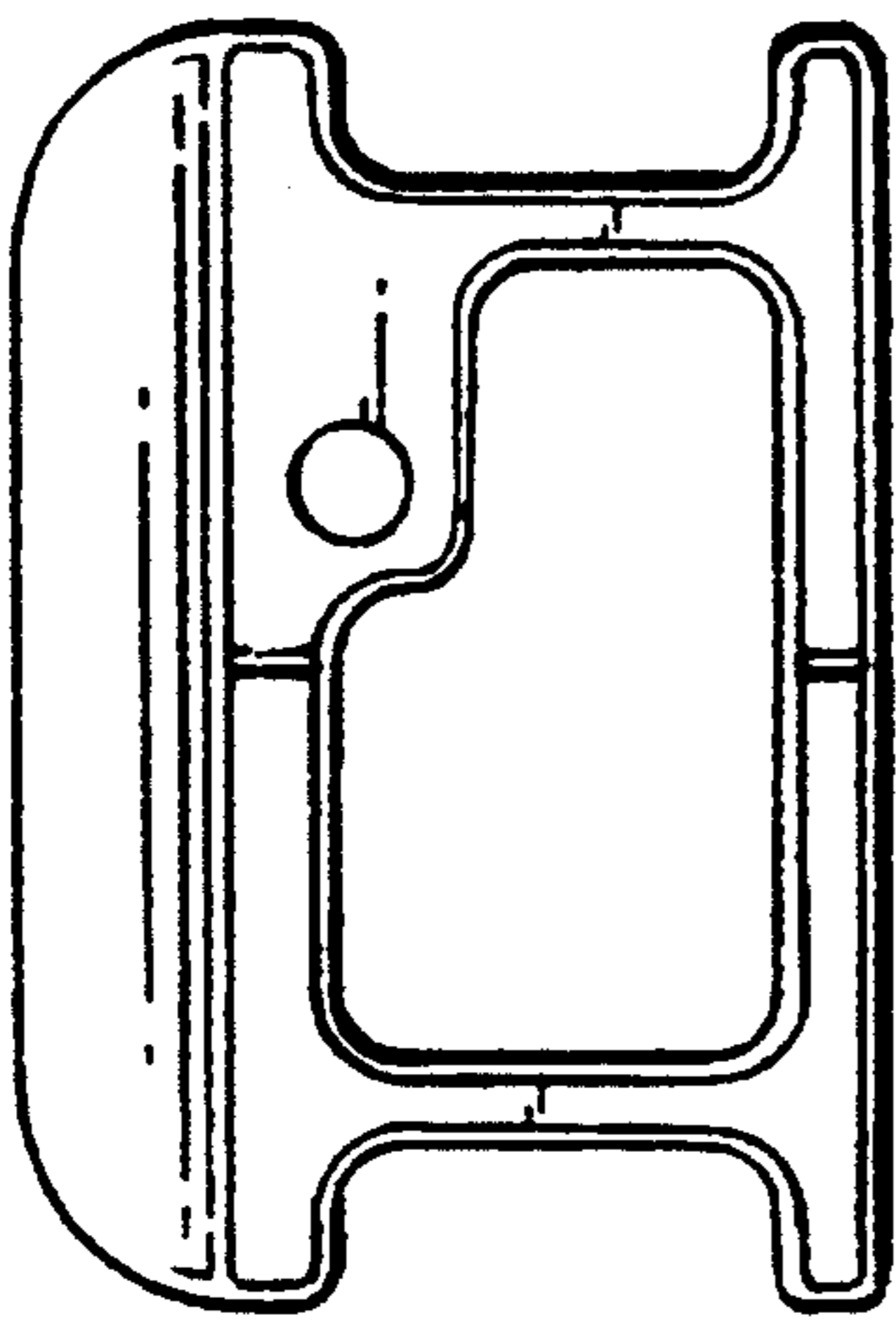


FIG. 1

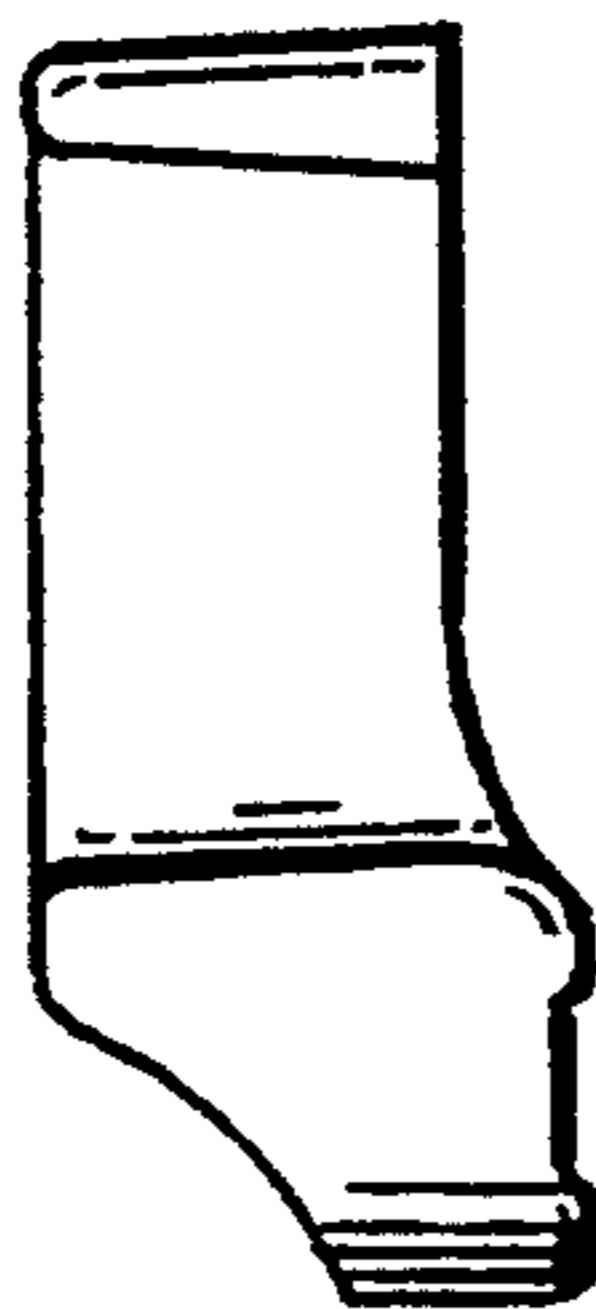
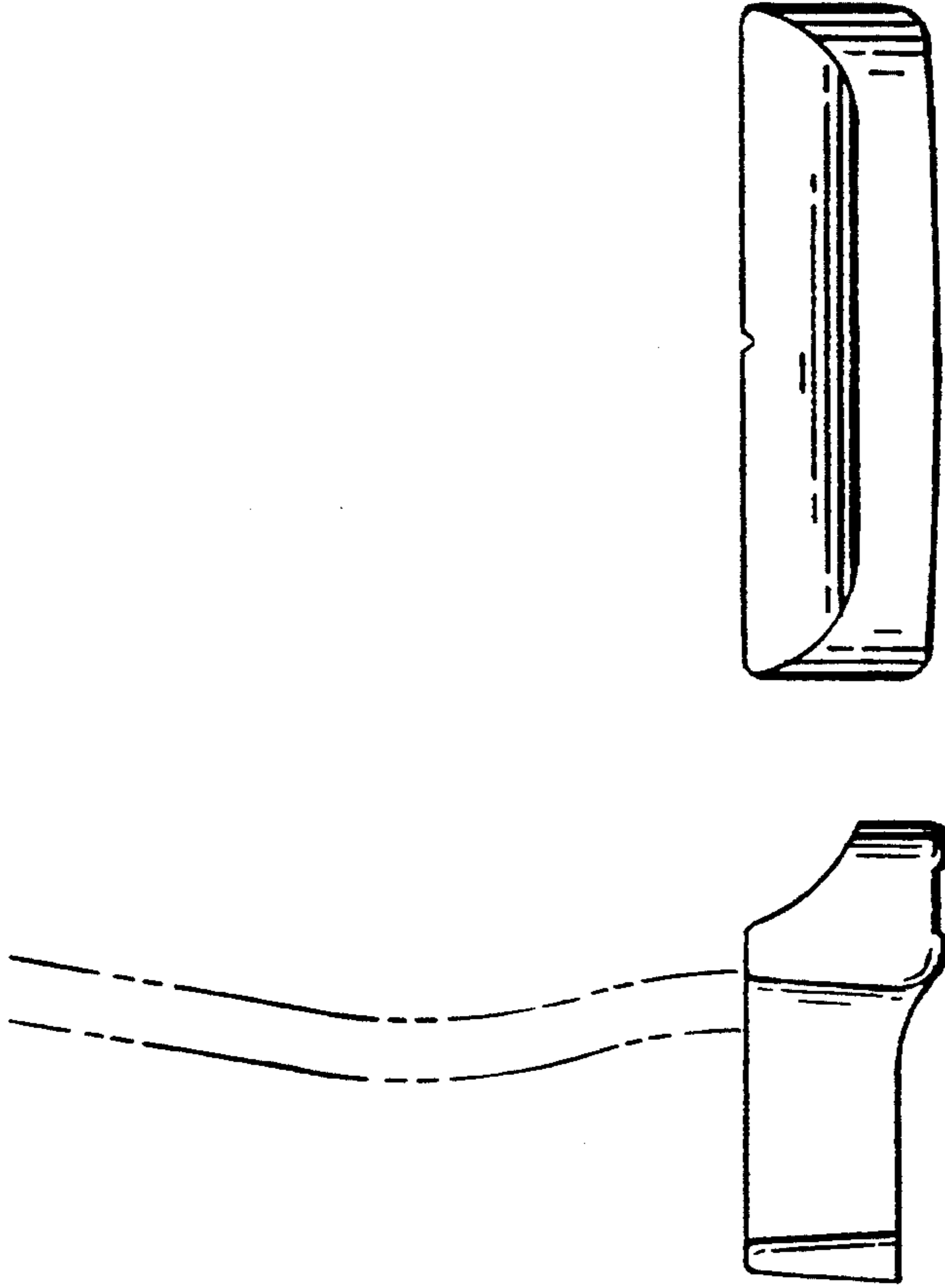


FIG. 2

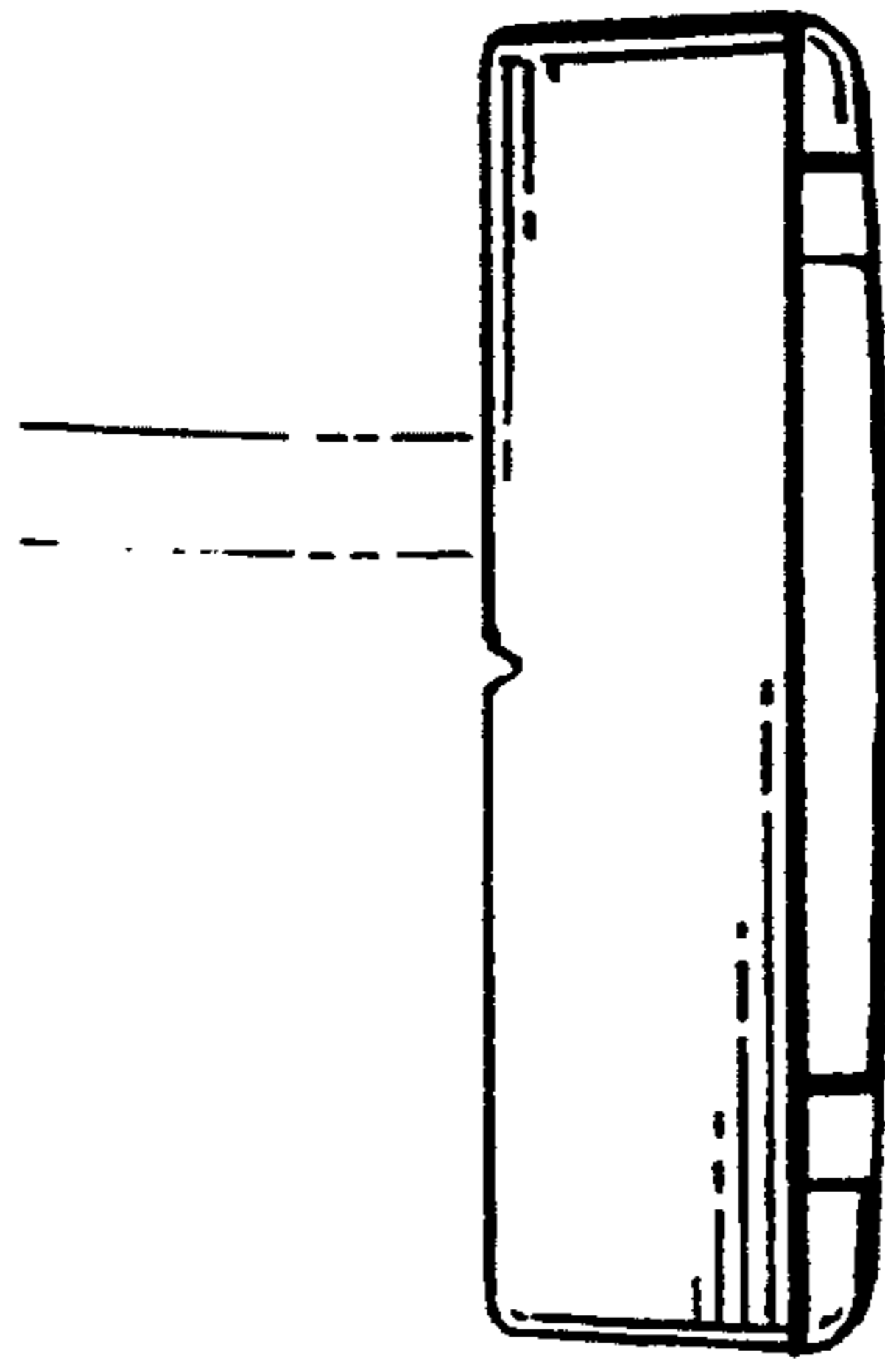


FIG. 3

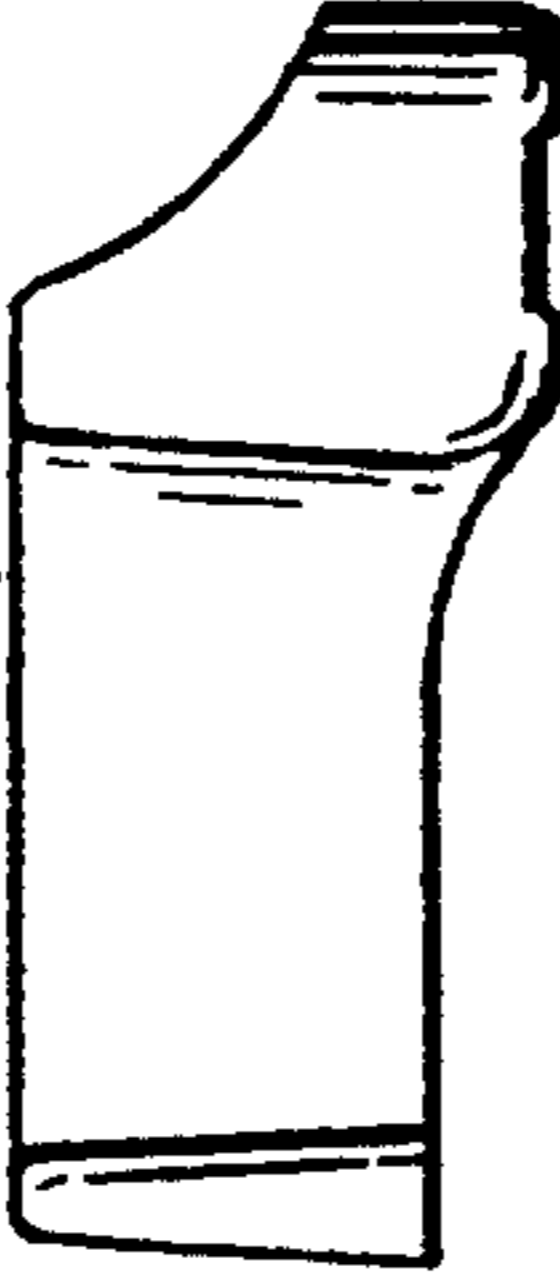


FIG. 4



FIG. 5

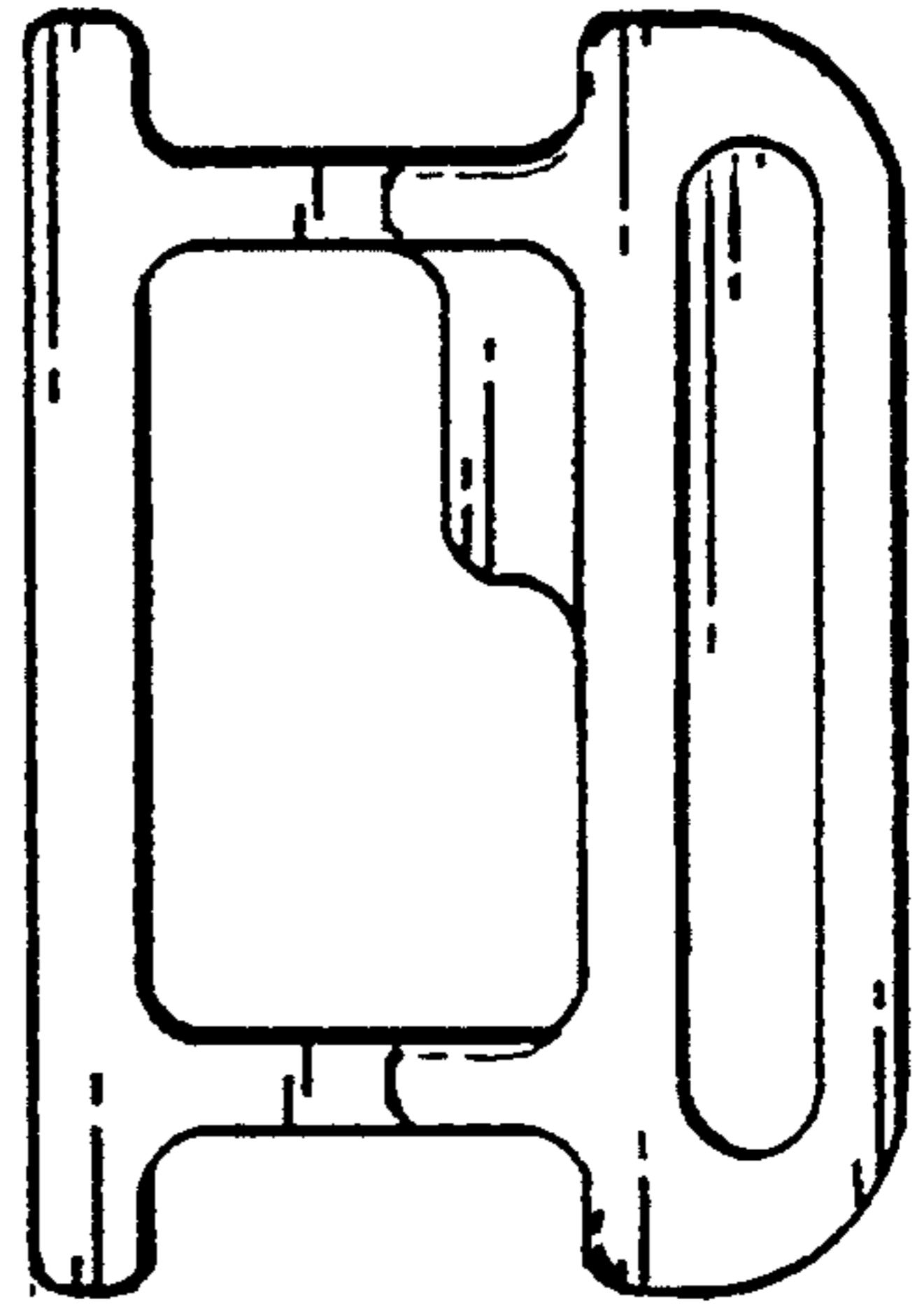


FIG. 6

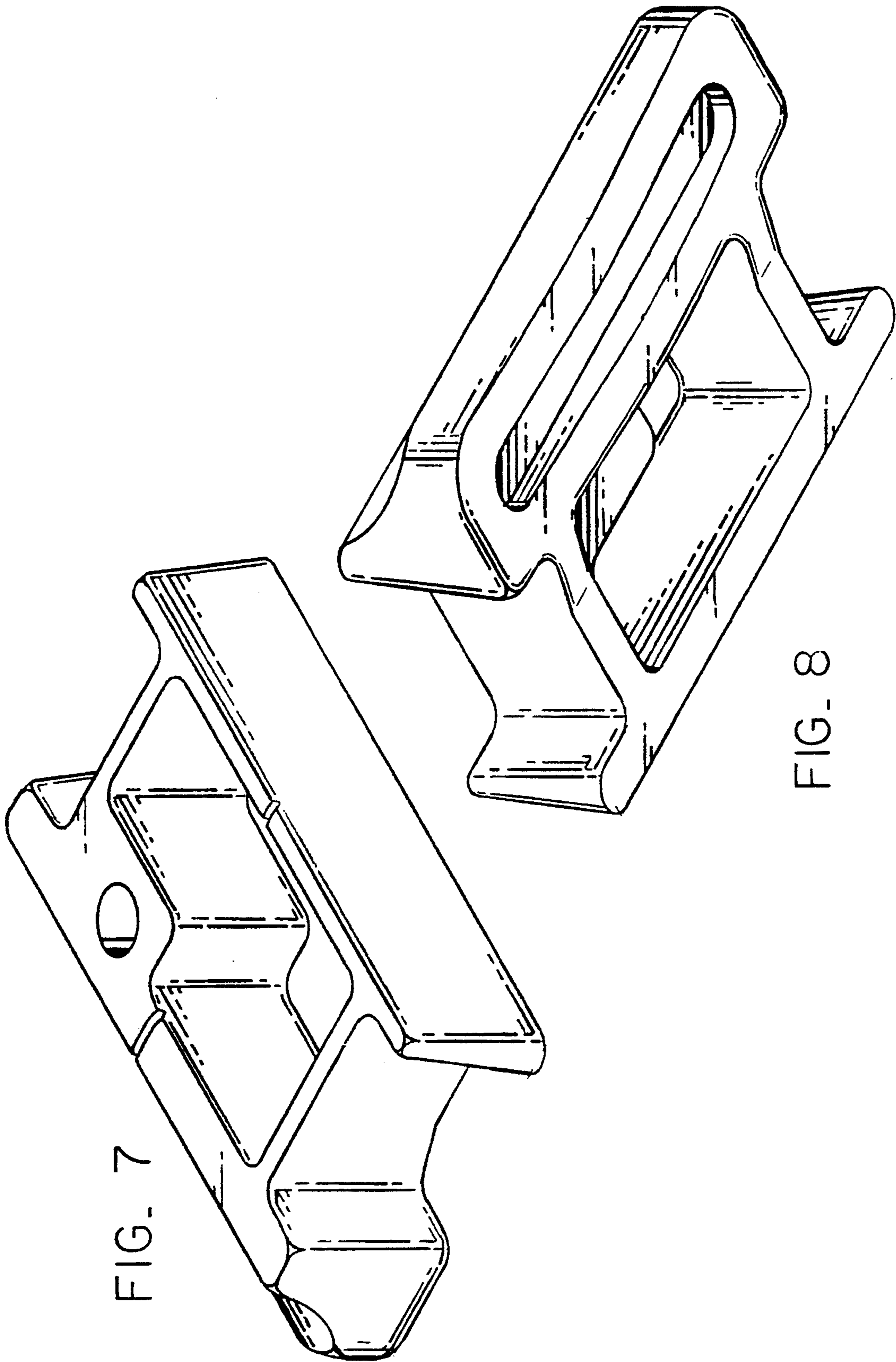


FIG. 7

FIG. 8