



US00D354099S

United States Patent [19]

Gerschefske et al.

[11] Patent Number: **Des. 354,099**

[45] Date of Patent: **** Jan. 3, 1995**

[54] **COMBINED CROSS-COUNTRY AND SLALOM EXERCISING MACHINE**

[75] Inventors: **Kevin Gerschefske; Rick Byrd**, both of Springfield; **Chuck Brazeal**, Mansfield, all of Mo.

[73] Assignee: **Stamina Products, Inc.**, Springfield, Mo.

[**] Term: **14 Years**

[21] Appl. No.: **8,020**

[22] Filed: **May 6, 1993**

[52] U.S. Cl. **D21/191; D21/192; D21/195**

[58] Field of Search **D21/191, 192, 193, 194, D21/195; 482/70, 71, 74, 79, 72, 73, 118, 119**

[56] **References Cited**

U.S. PATENT DOCUMENTS

D. 328,934	8/1992	Friedebach	D21/191
D. 340,095	10/1993	Friedebach	D21/195
4,743,015	5/1988	Marshall	482/70
4,744,558	5/1988	Smirmaul	482/71
4,804,178	2/1989	Friedebach	482/70
4,826,152	5/1989	Lo	482/70

4,948,121	8/1990	Haaheim et al.	482/70
5,020,793	6/1991	Loane	482/71
5,078,389	1/1992	Chen	482/71
5,145,481	9/1992	Friedebach	482/70
5,222,928	6/1993	Yacullo	482/71

Primary Examiner—Bernard Ansher

Assistant Examiner—Philip Hyder

Attorney, Agent, or Firm—Kokjer, Kircher, Bowman & Johnson

[57] **CLAIM**

The ornamental design for a combined cross-country and slalom exercising machine, as shown and described.

DESCRIPTION

FIG. 1 is a side elevational view of a combined cross-country and slalom exercising machine according to the present design;

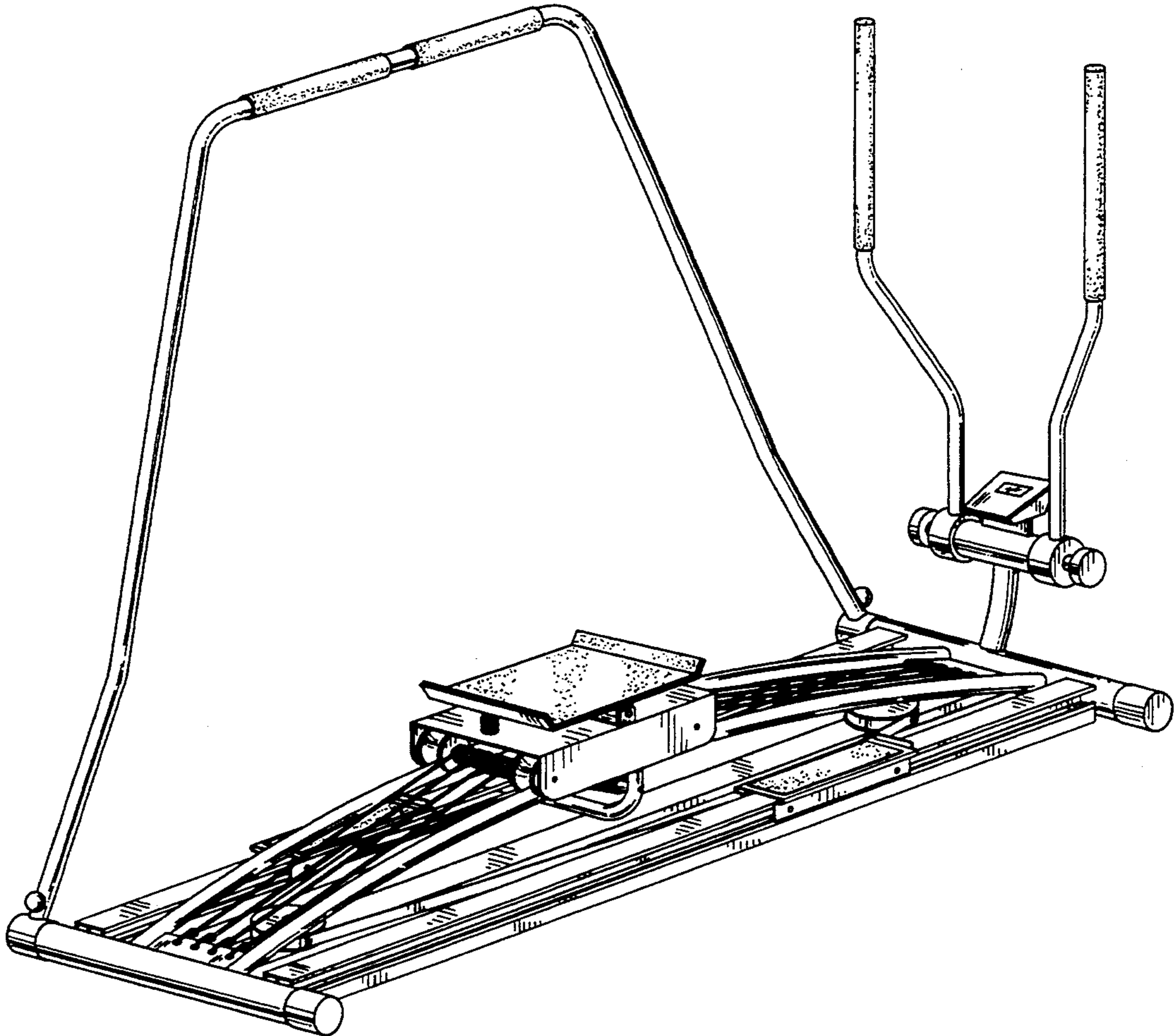
FIG. 2 is a top plan view thereof;

FIG. 3 is a left end view thereof;

FIG. 4 is a right end view thereof;

FIG. 5 is a side elevational view of the opposite side shown in FIG. 1; and,

FIG. 6 is a perspective view of the combined cross-country and slalom skiing exercise machine of the present design.



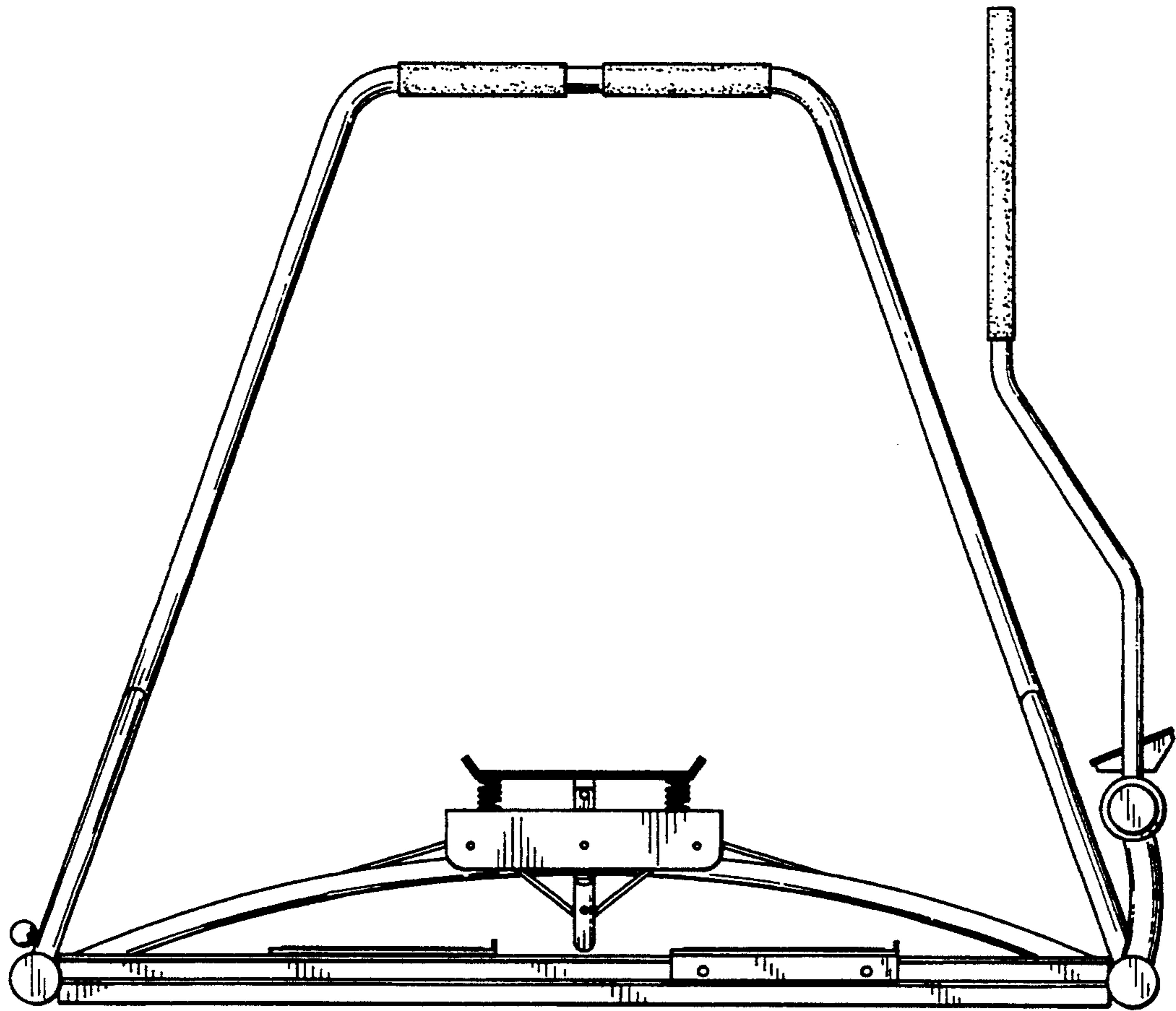


Fig. 1.

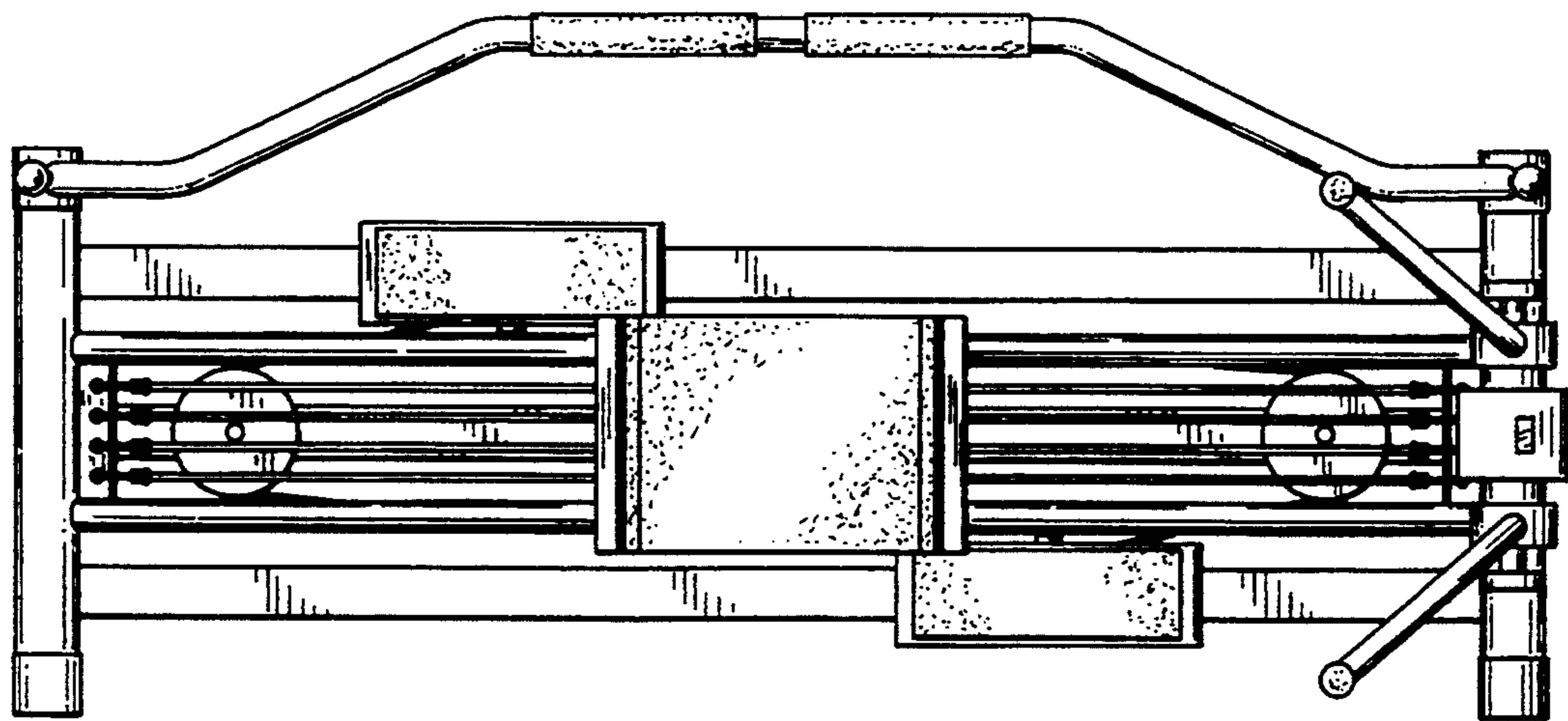
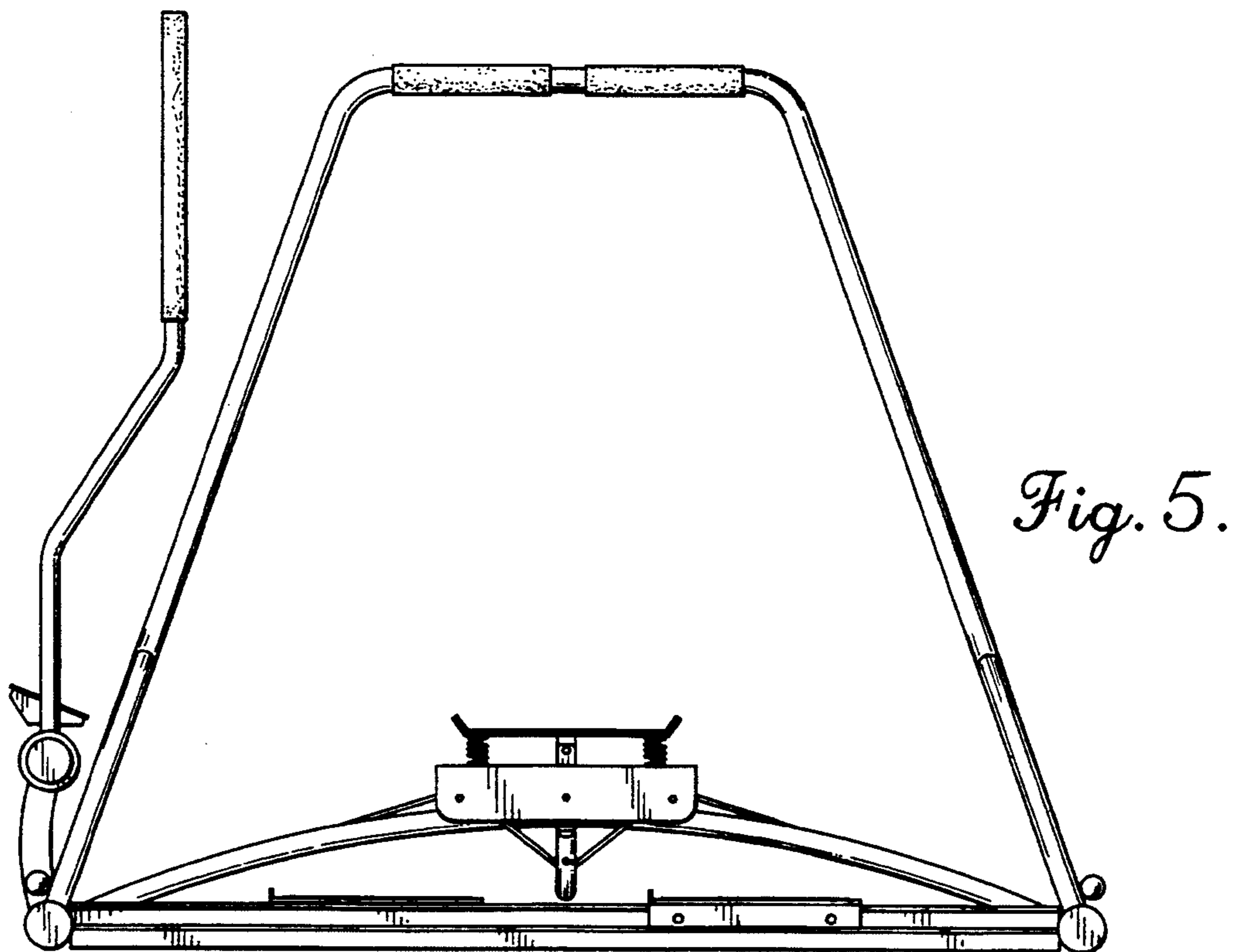
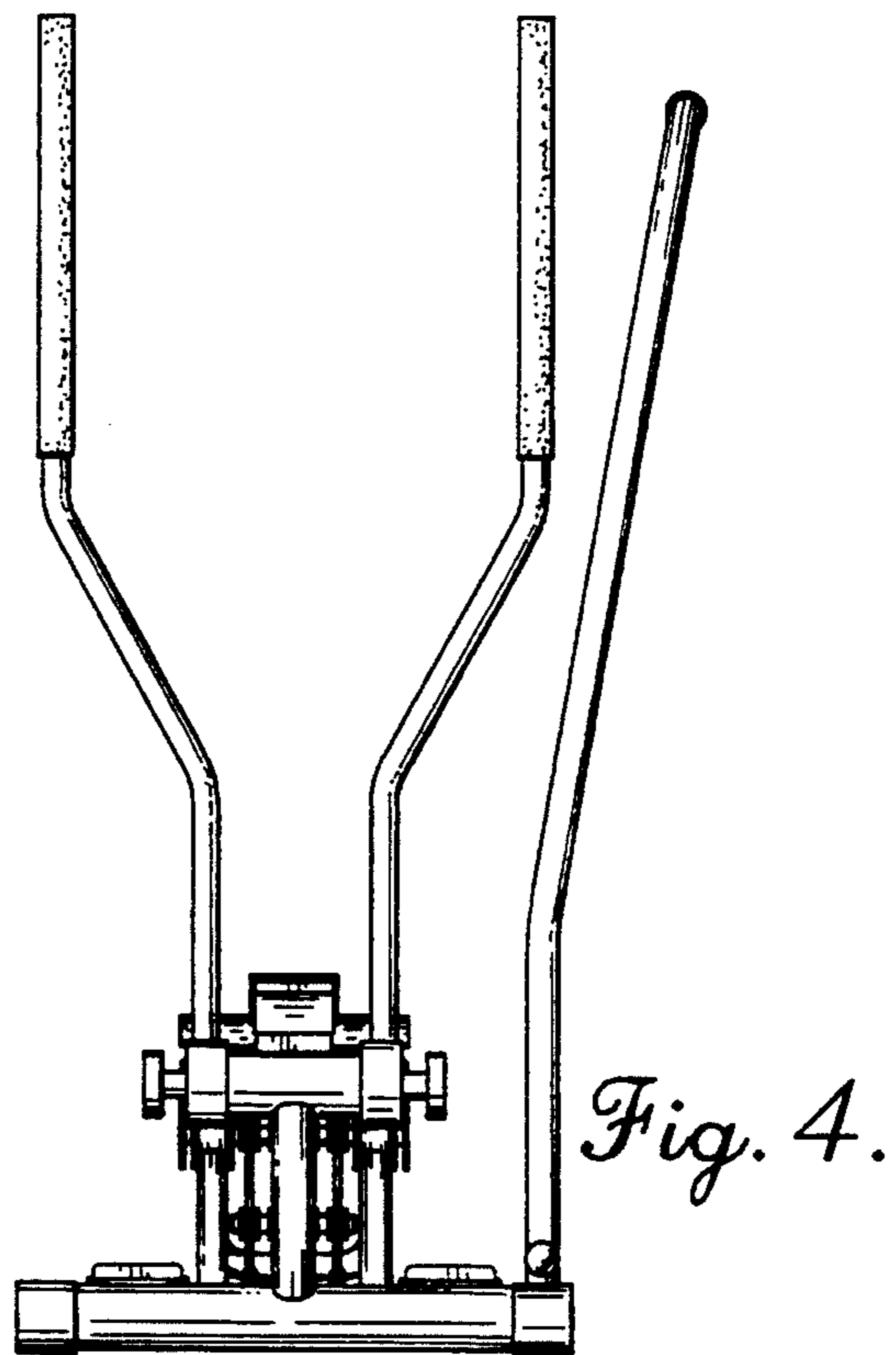
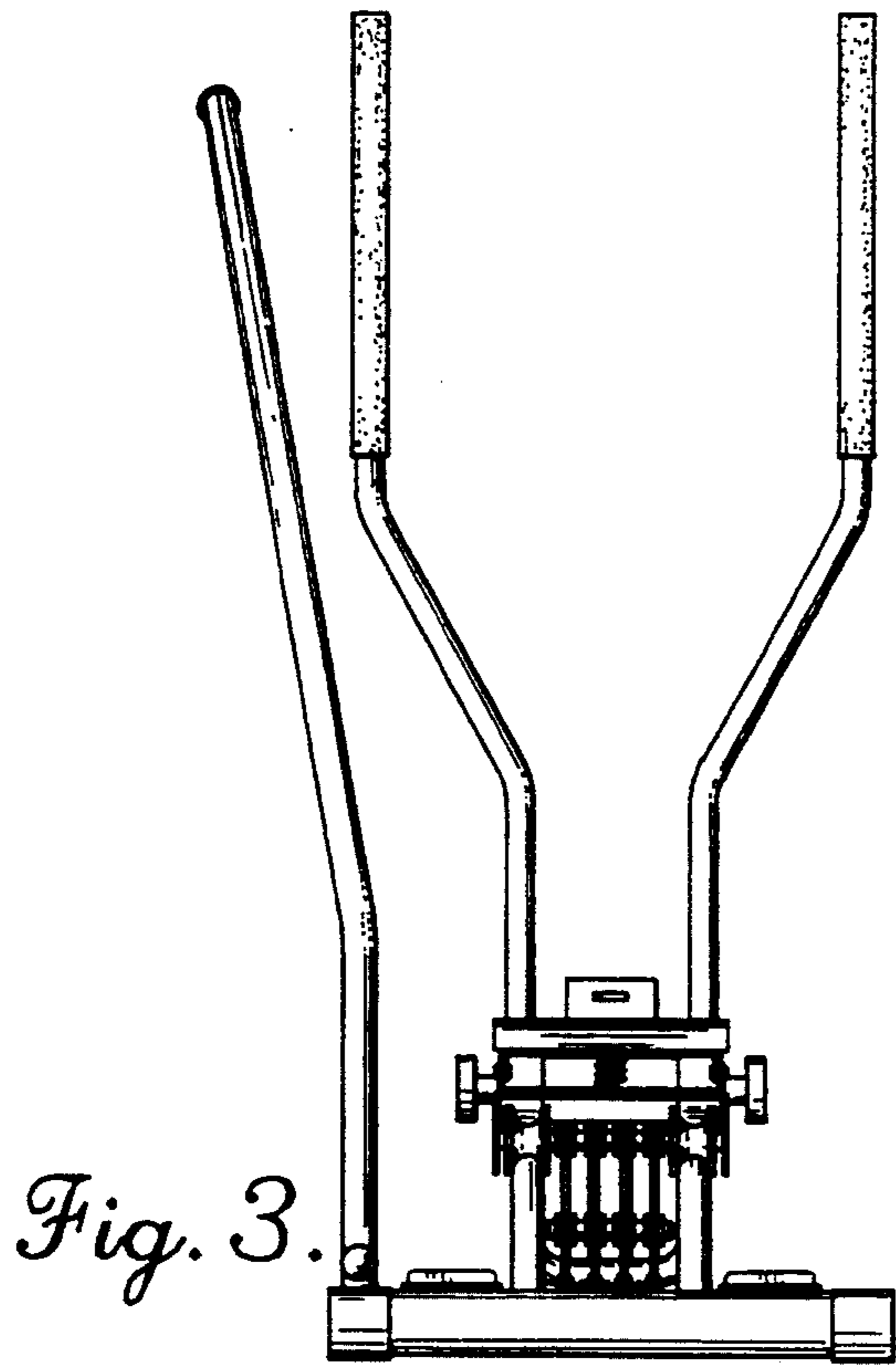


Fig. 2.



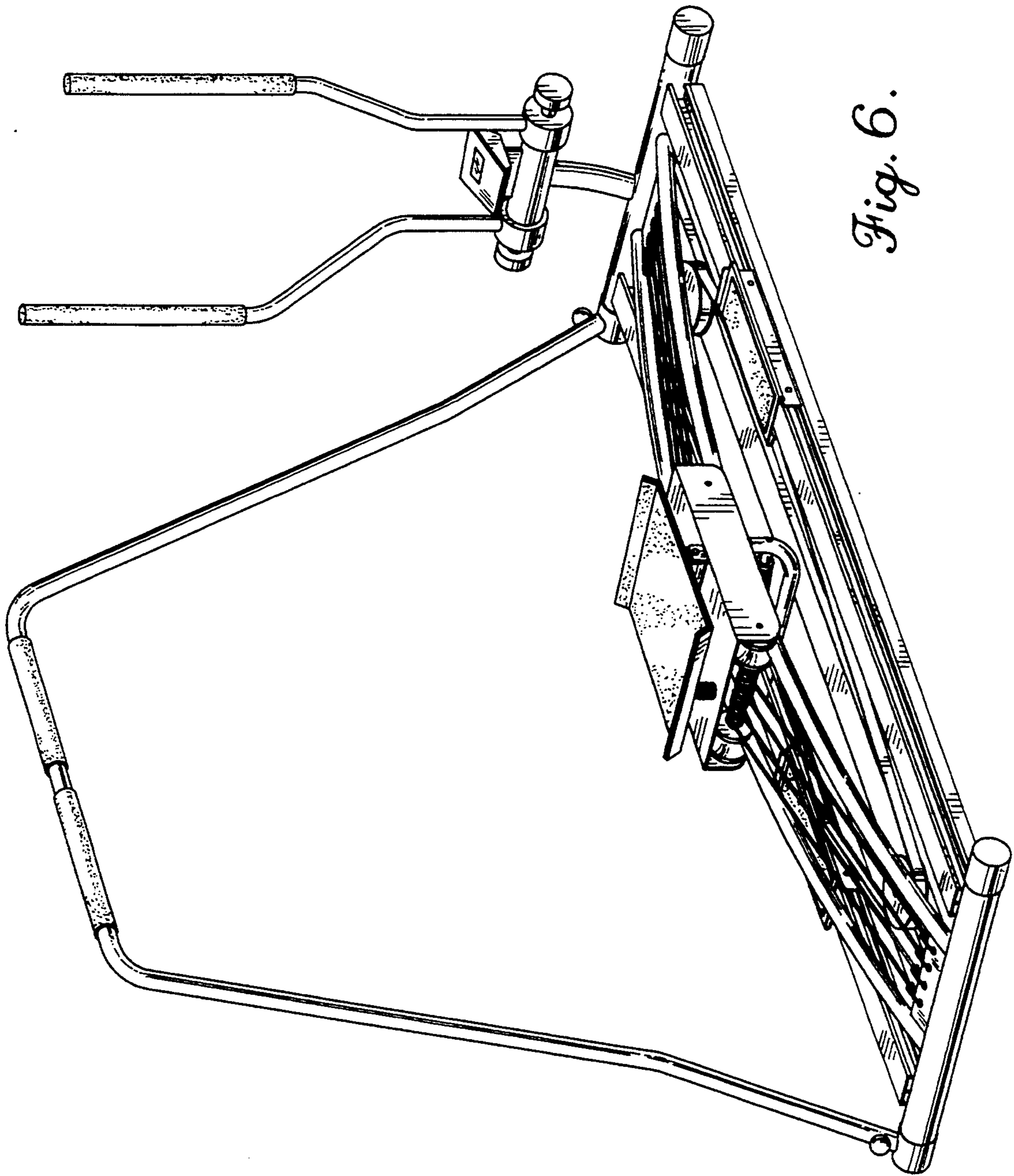


Fig. 6.