



US00D354098S

United States Patent [19]

[11] Patent Number: **Des. 354,098**

Lee et al.

[45] Date of Patent: **** Jan. 3, 1995**

[54] **COMBINED TOY MECHANICAL GRIPPING ARM AND DETACHABLE CLAW UNIT**

4,903,864 2/1990 Sirhan 446/26

[75] Inventors: **James S. W. Lee**, Long Island, N.Y.;
Chiu K. Kwan, Kowloon, Hong Kong

Primary Examiner—Melvin B. Feifer
Attorney, Agent, or Firm—Laff, Whitesel, Conte & Saret, Ltd.

[73] Assignee: **C. J. Associates, Ltd.**, Hung Hom, Hong Kong

[57] **CLAIM**

[**] Term: **14 Years**

The ornamental design for a combined toy mechanical gripping arm and detachable claw unit, as shown and described.

[21] Appl. No.: **919,107**

DESCRIPTION

[22] Filed: **Jul. 22, 1992**

[52] U.S. Cl. **D21/189**

[58] Field of Search **D21/189; 446/26, 390, 446/487**

FIG. 1 is a bottom plan view of a combined toy mechanical gripping arm and detachable claw unit showing our new design;

[56] **References Cited**

U.S. PATENT DOCUMENTS

D. 254,382	3/1980	Suzuki	D21/189
2,435,614	2/1948	Tureman, Jr.	623/63
3,188,753	6/1965	Lovercheck	623/64
3,453,774	7/1969	Breneman et al.	446/26
3,953,935	5/1976	Reiner et al.	446/26
4,315,650	2/1982	Yoshida	446/390
4,466,649	8/1984	Ozawa	623/64
4,685,924	8/1987	Massey	623/63
4,768,681	9/1988	Dean et al.	446/26
4,820,229	4/1989	Spraggins	446/26

FIG. 2 is a bottom plan view of the detachable claw unit shown separately for clarity of illustration;

FIG. 3 is a front elevational view thereof, with the detachable claw unit mounted to the arm;

FIG. 4 is a left side elevational view thereof, with the detachable claw unit mounted to the arm;

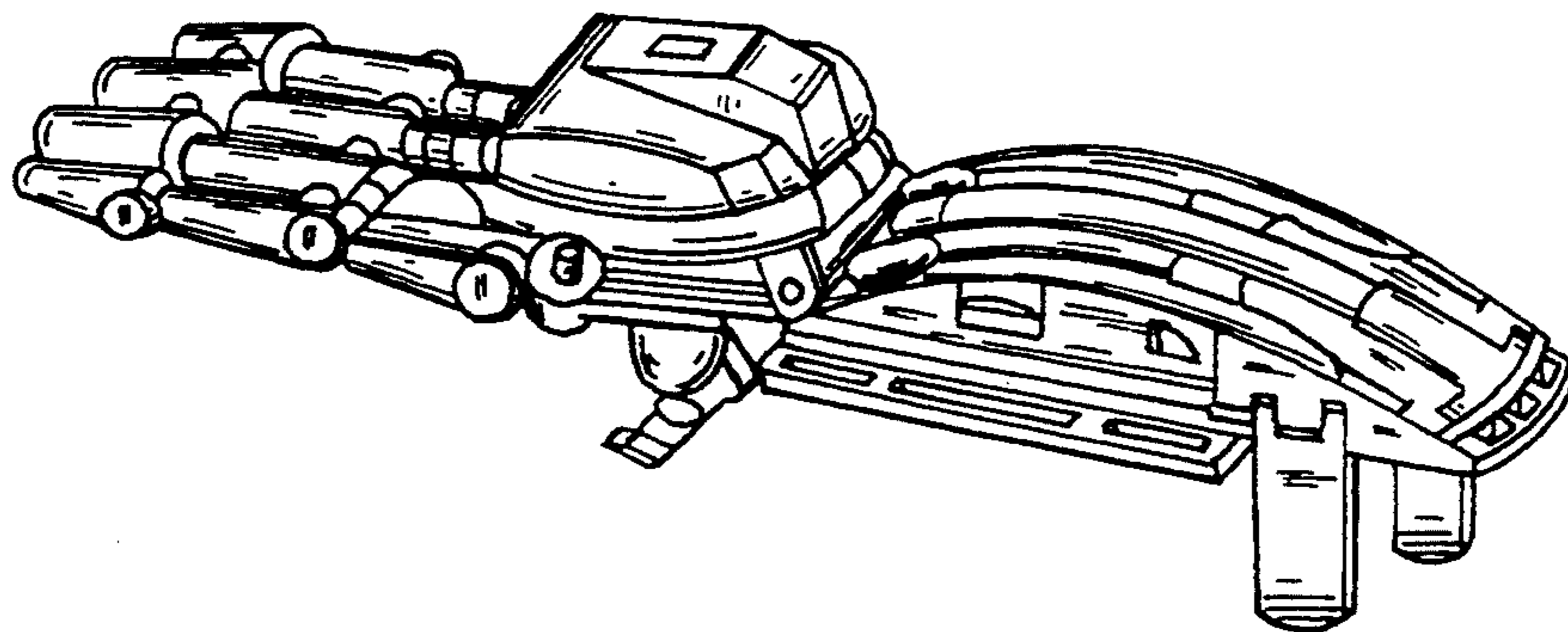
FIG. 5 is a top plan view of the detachable claw unit;

FIG. 6 is a top plan view thereof, with the detachable claw unit removed from the arm;

FIG. 7 is a top plan view thereof, with the detachable claw unit mounted to the arm;

FIG. 8 is a right side elevational view thereof, with the detachable claw unit mounted to the arm; and,

FIG. 9 is a perspective view thereof, with the detachable claw unit mounted to the arm.



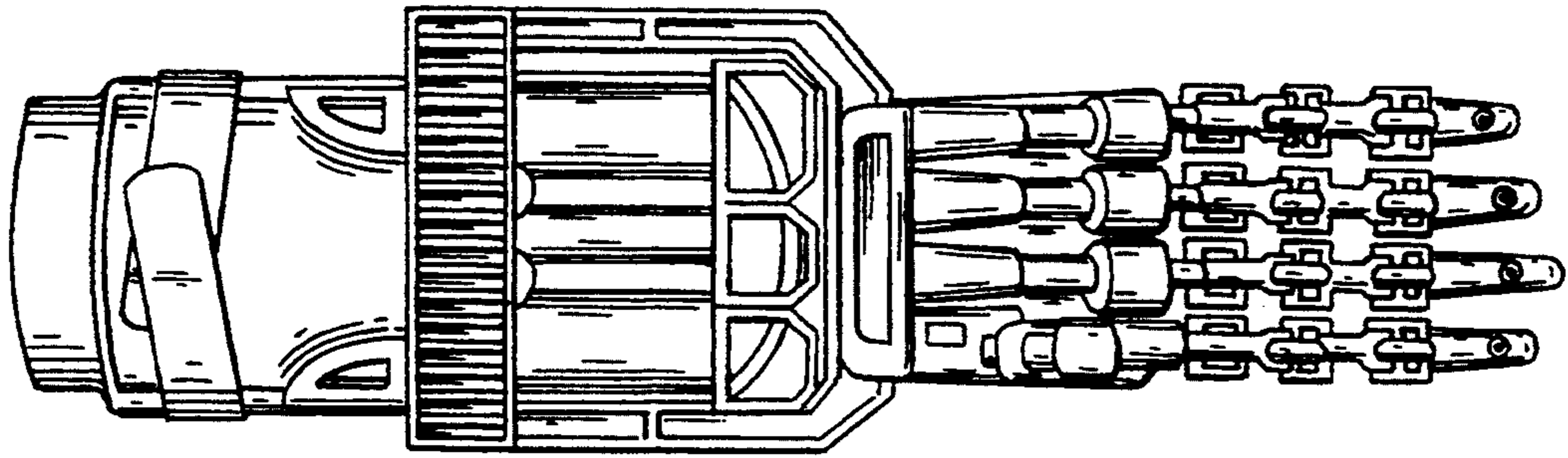


FIG. 1

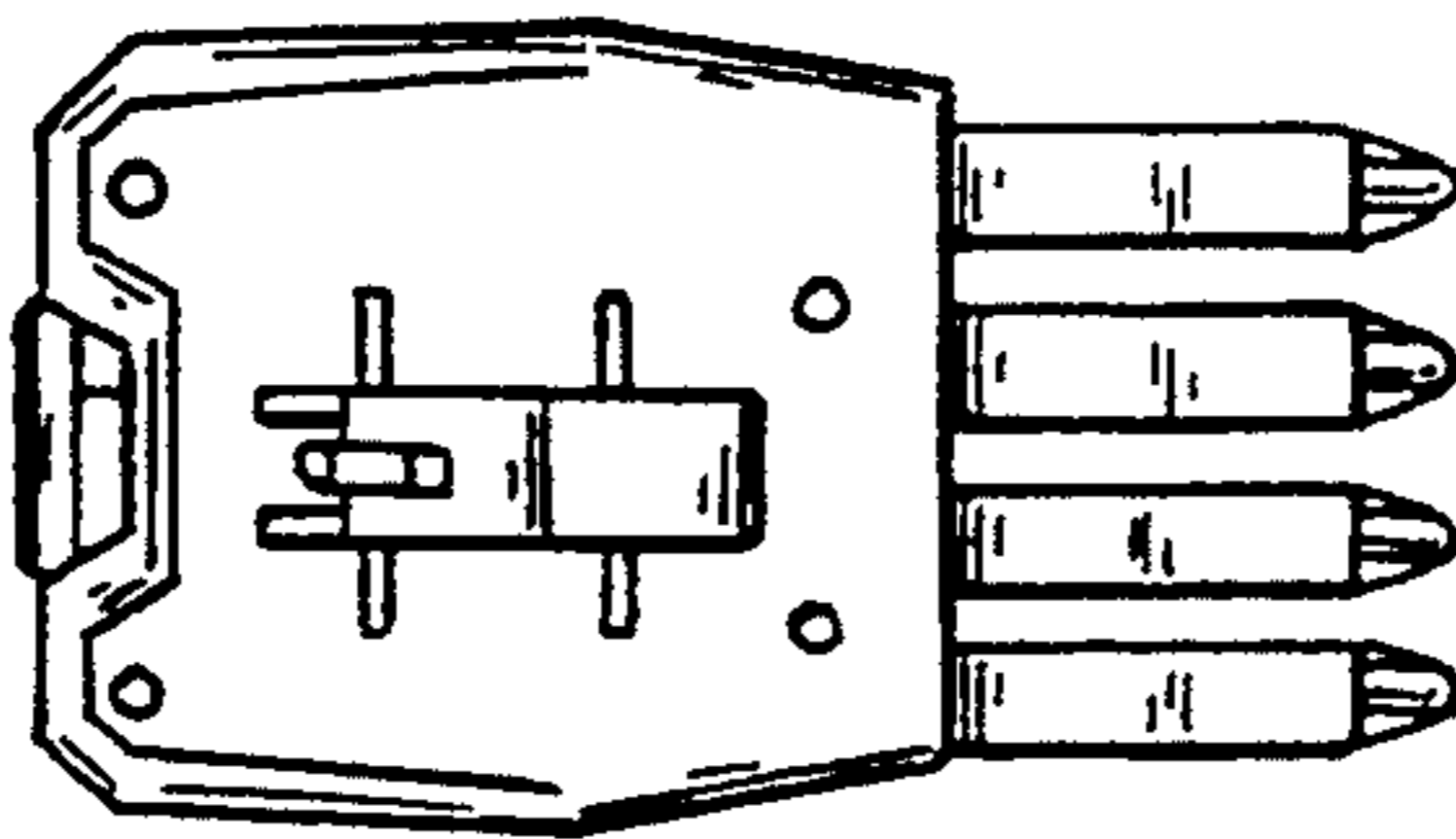


FIG. 2

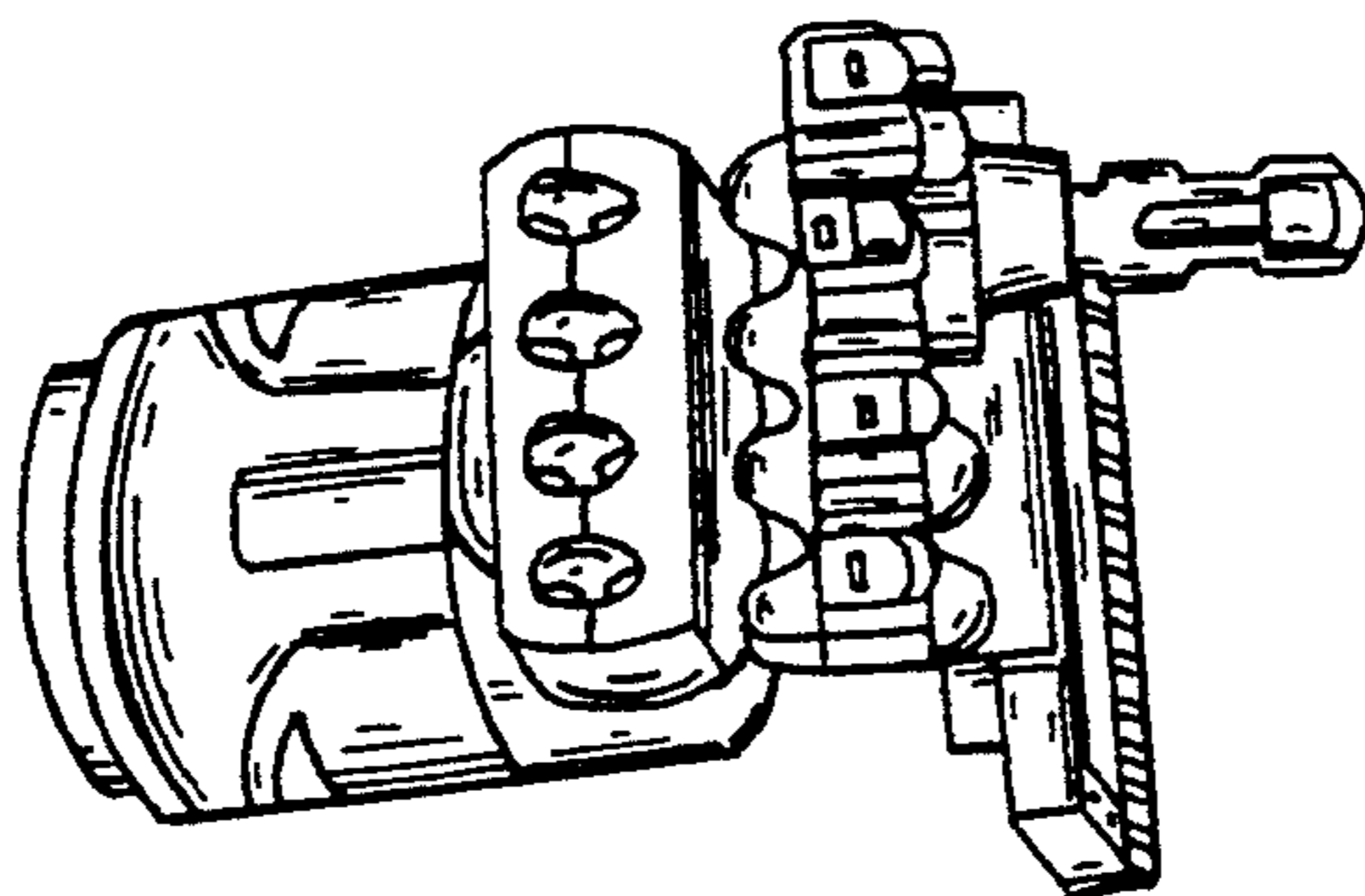


FIG. 3

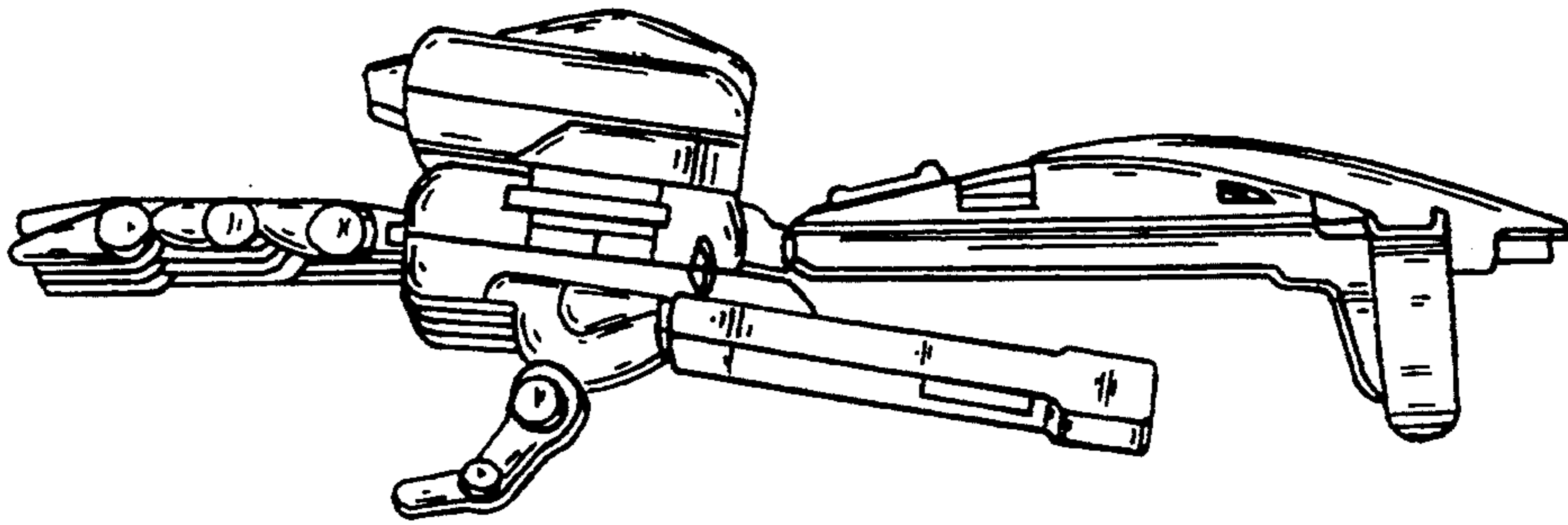


FIG. 4

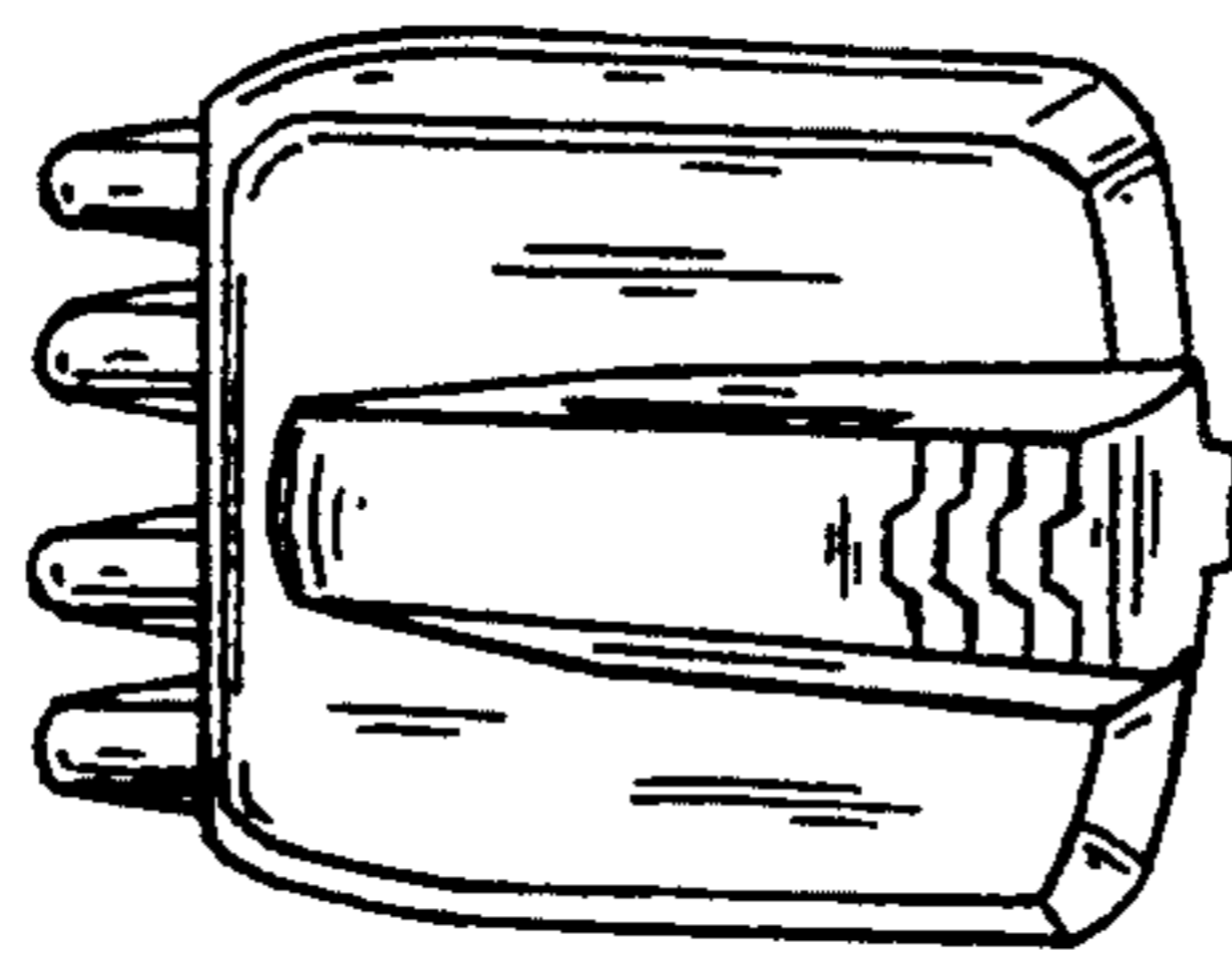


FIG. 5

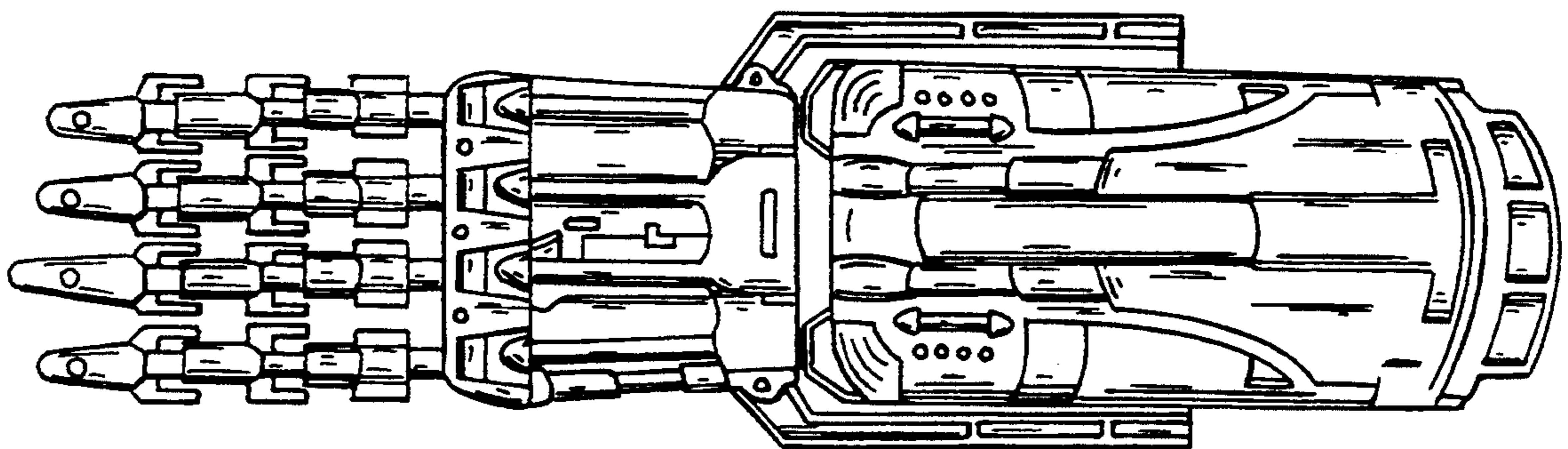


FIG. 6

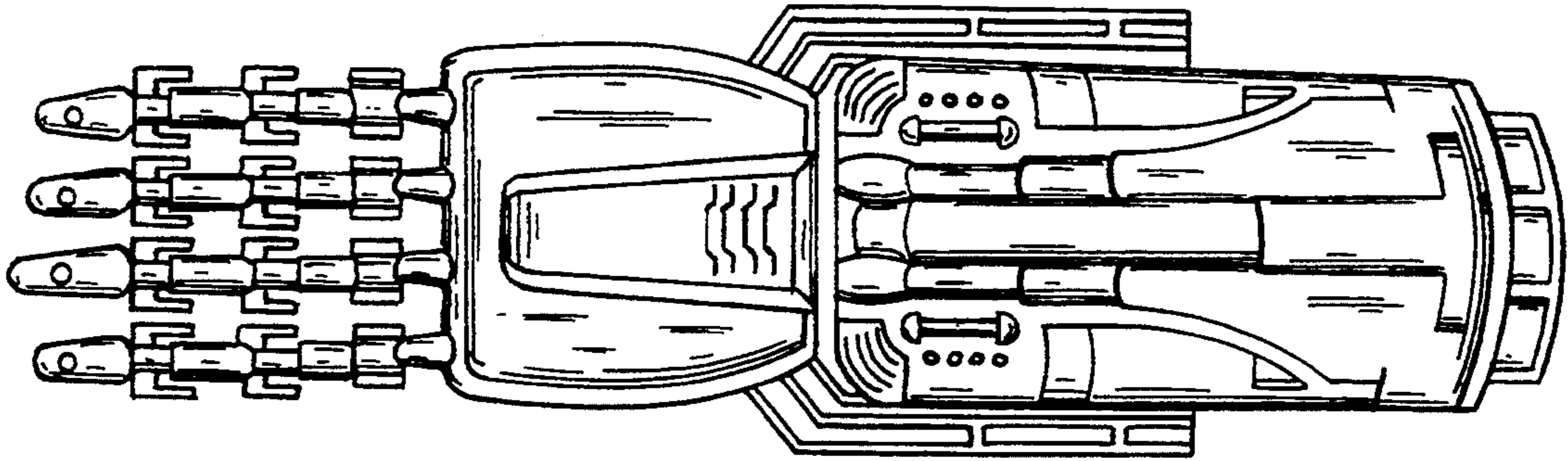


FIG. 7

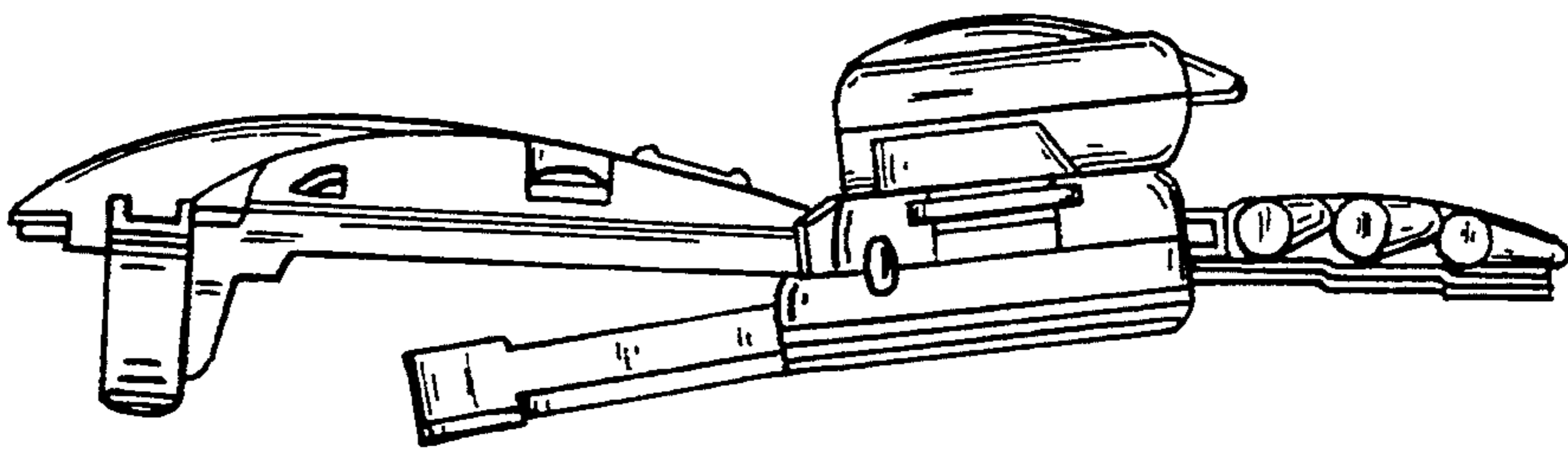


FIG. 8

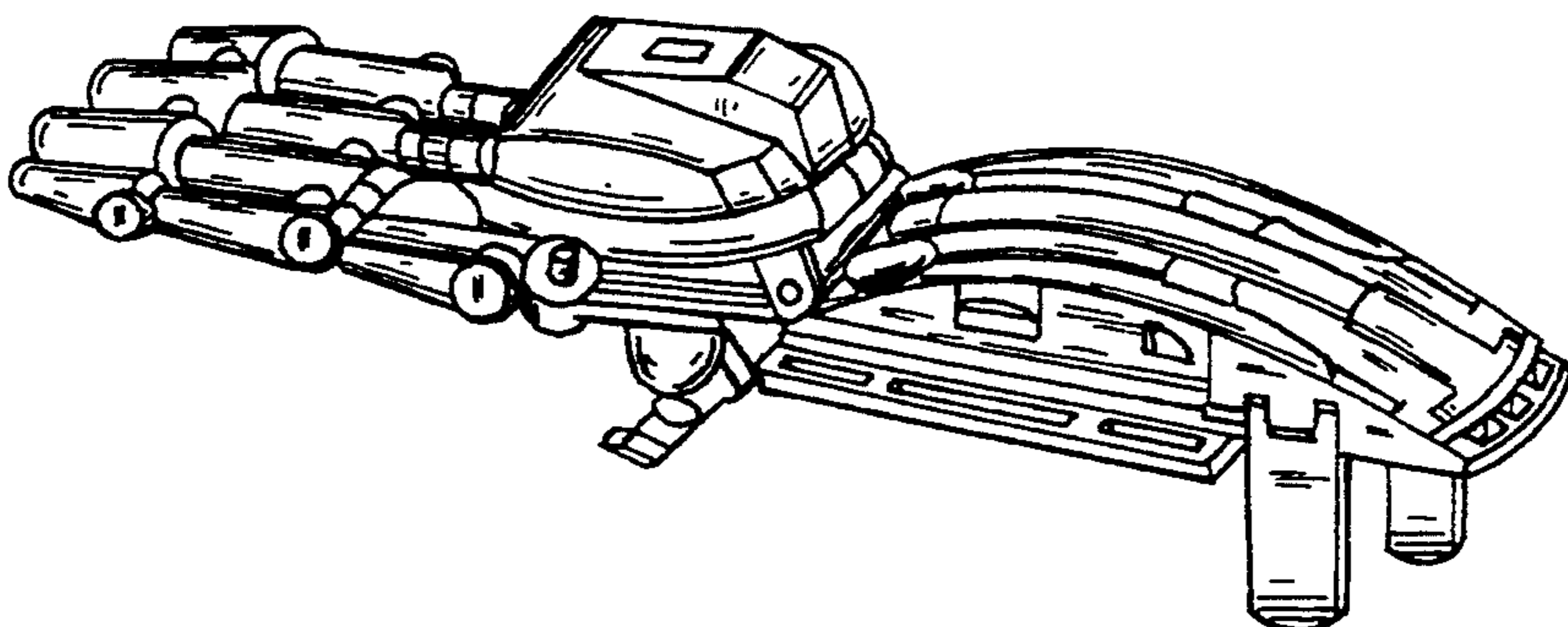


FIG. 9