



US00D354095S

# United States Patent [19]

[11] Patent Number: **Des. 354,095**

Aspinwall

[45] Date of Patent: **\*\* Jan. 3, 1995**

[54] **FISH MOUTH SPREADING TOOL**

3,707,800 1/1973 Wolfe ..... D22/150 X  
4,023,303 5/1977 Maunu ..... 43/53.5

[76] Inventor: **David M. Aspinwall**, P.O. Box 143,  
Garrison, Minn. 56450

*Primary Examiner*—A Hugo Word  
*Assistant Examiner*—Doris V. Coles  
*Attorney, Agent, or Firm*—Kinney & Lange

[\*\*] Term: **14 Years**

[21] Appl. No.: **13,972**

[57] **CLAIM**

[22] Filed: **Oct. 8, 1993**

The ornamental design for a fish mouth spreading tool,  
as shown and described.

[52] U.S. Cl. .... **D22/150; D22/149**

[58] Field of Search ..... **D22/149, 134, 150;**  
**43/53.5; D28/55; D24/135, 143**

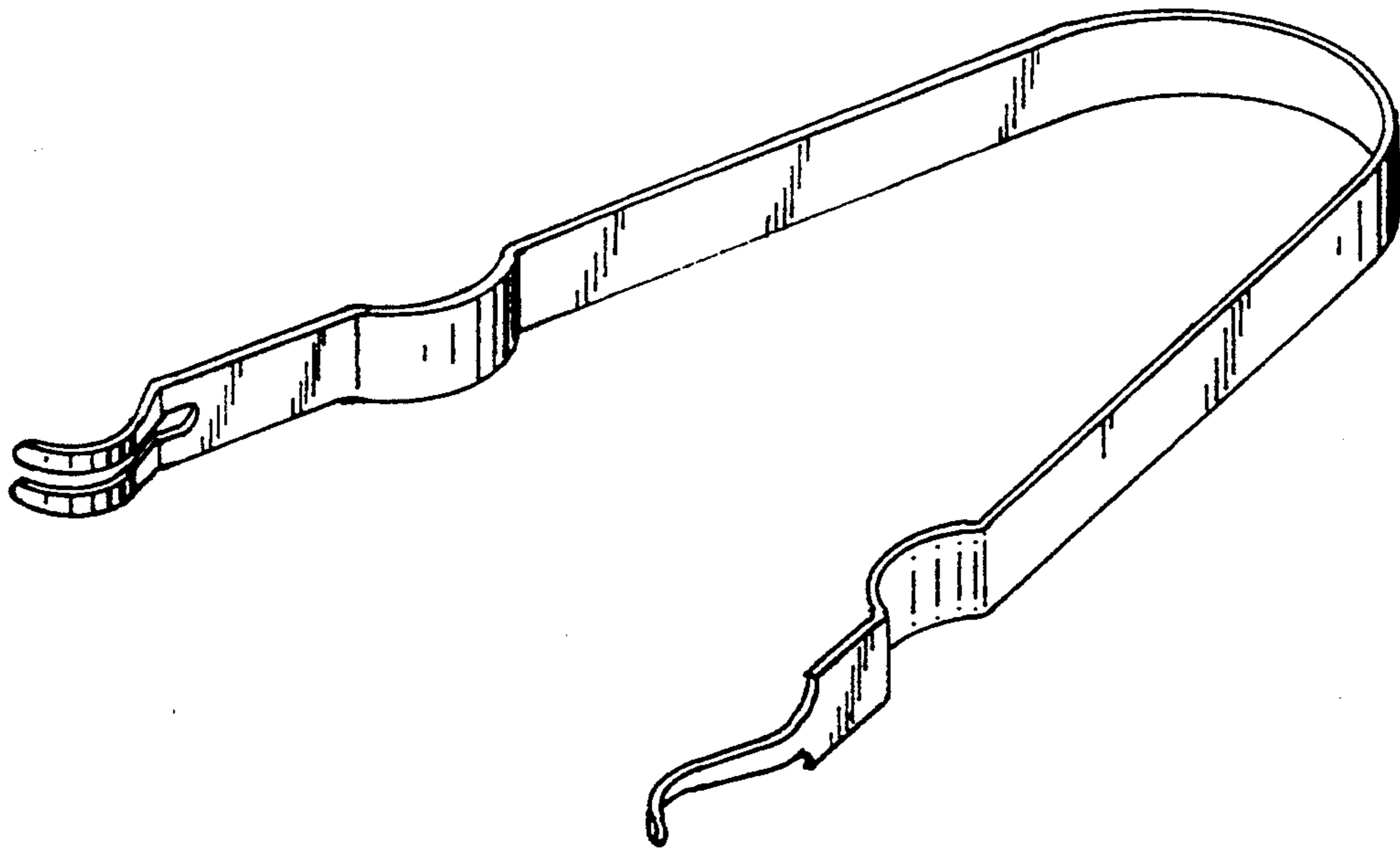
**DESCRIPTION**

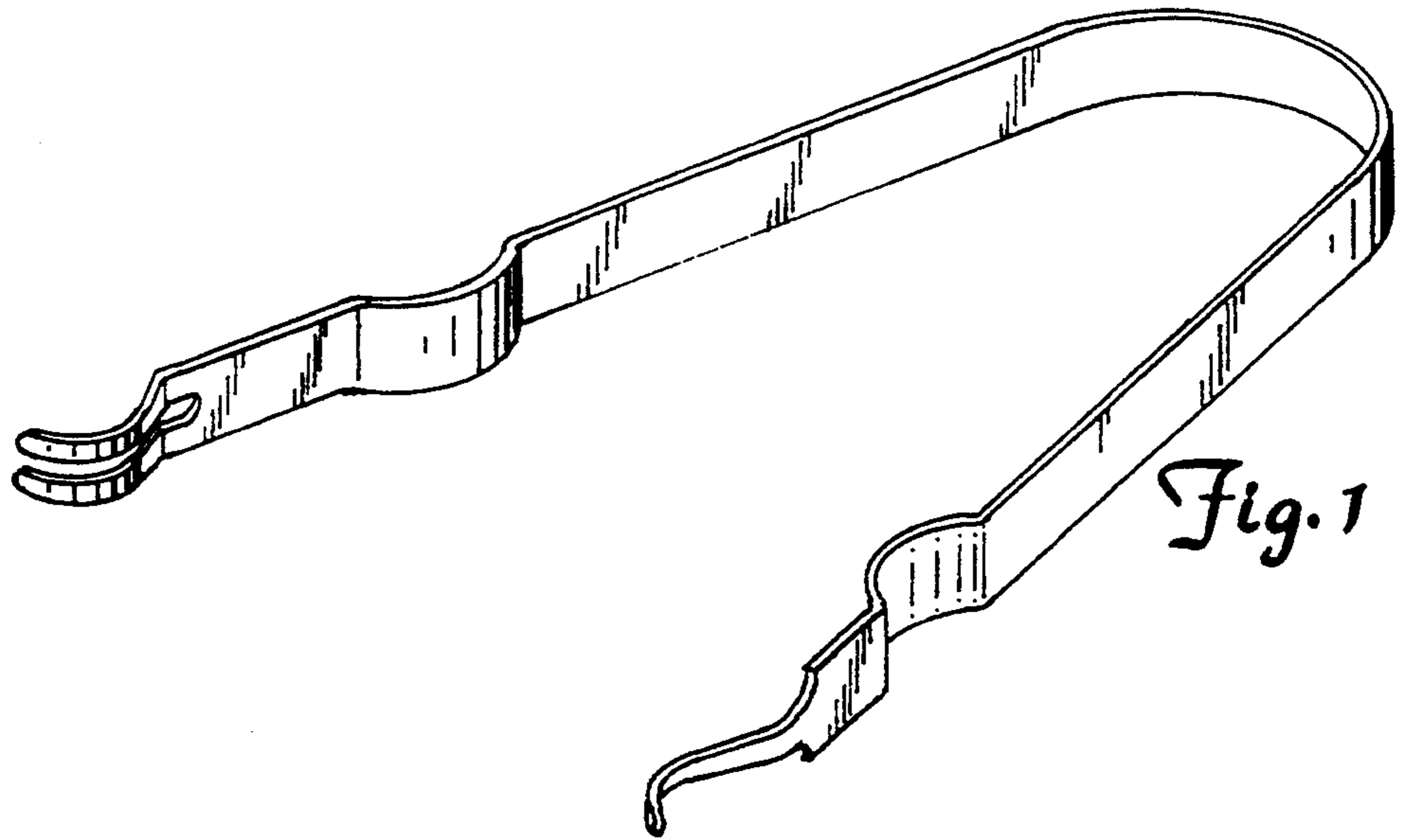
[56] **References Cited**

**U.S. PATENT DOCUMENTS**

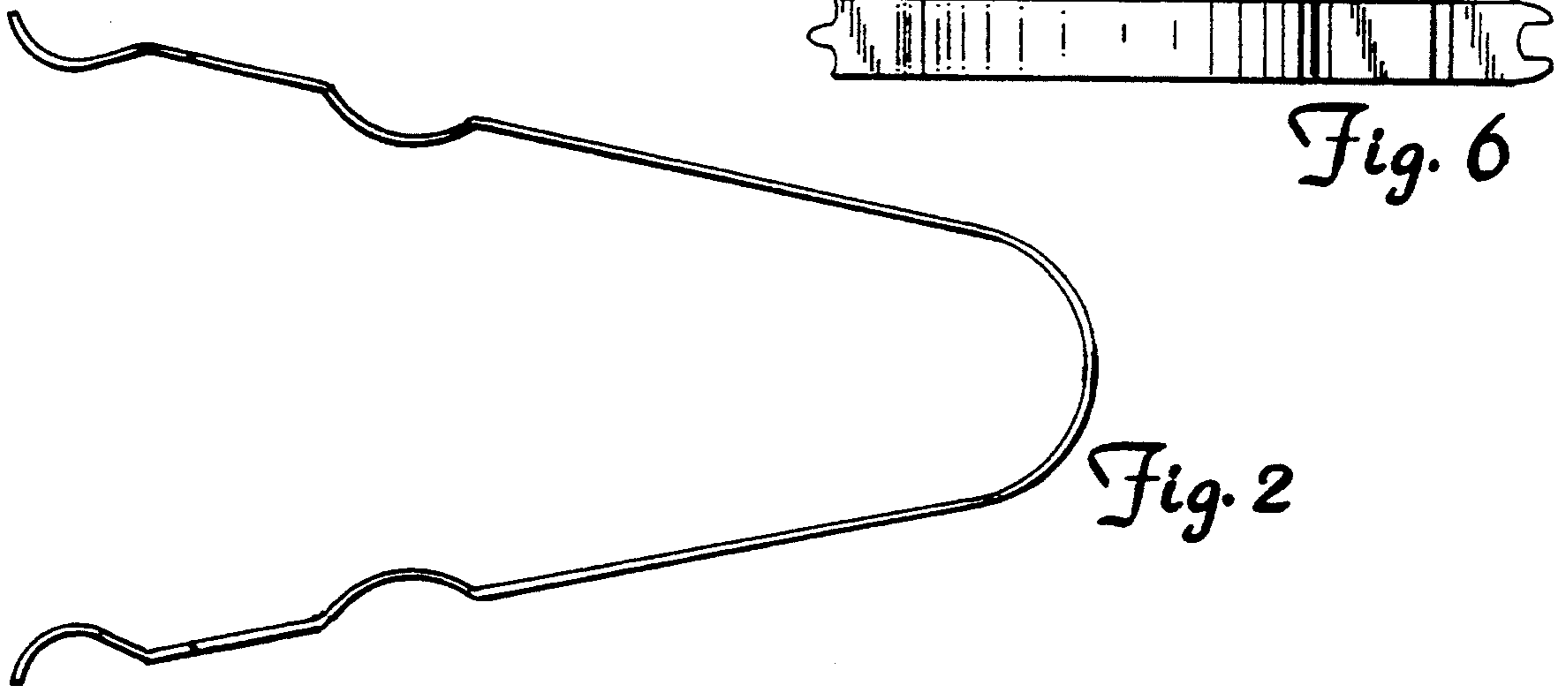
D. 296,459 6/1988 Johnson ..... D28/55 X  
D. 331,800 12/1992 Han ..... D24/143  
D. 340,173 10/1993 Feng ..... D28/55 X

FIG. 1 is a perspective view;  
FIG. 2 is a bottom view;  
FIG. 3 is a front elevational view;  
FIG. 4 is a right side view;  
FIG. 5 is a left side view; and,  
FIG. 6 is a rear elevational view.





*Fig. 1*



*Fig. 2*



*Fig. 3*



*Fig. 4*



*Fig. 5*



*Fig. 6*