



US00D354081S

# United States Patent [19]

[11] Patent Number: **Des. 354,081**

Ancona et al.

[45] Date of Patent: **\*\* Jan. 3, 1995**

[54] **DESKTOP ORGANIZER**

[76] Inventors: **Bruce Ancona; Jane Ancona**, both of 21 E. 22nd St., Apt. 6K, New York City, New York County, N.Y. 10010; **Jose Padron**, 528 E. 85th St., New York, N.Y. 10028

[\*\*] Term: **14 Years**

[21] Appl. No.: **10,802**

[22] Filed: **Jul. 27, 1993**

[52] U.S. Cl. .... **D19/78; D19/69; D19/85; D19/90**

[58] Field of Search ..... **D19/65, 67-69, D19/75, 77, 78, 81-85, 86, 90, 91, 95, 99, 100; 206/214, 224, 371; 211/10, 11, 13, 45, 50**

[56] **References Cited**

**U.S. PATENT DOCUMENTS**

D. 185,130 5/1959 Camilli ..... D19/92 X  
D. 221,777 9/1971 Rose ..... D19/78

D. 268,119 3/1983 Evenson ..... D19/77  
D. 269,574 7/1983 Dougherty ..... D19/90 X  
D. 321,011 10/1991 Blossom ..... D19/75 X  
D. 321,372 11/1991 Evenson ..... D19/86 X  
D. 323,190 1/1992 Evenson ..... D19/90  
D. 330,047 10/1992 Evenson ..... D19/78

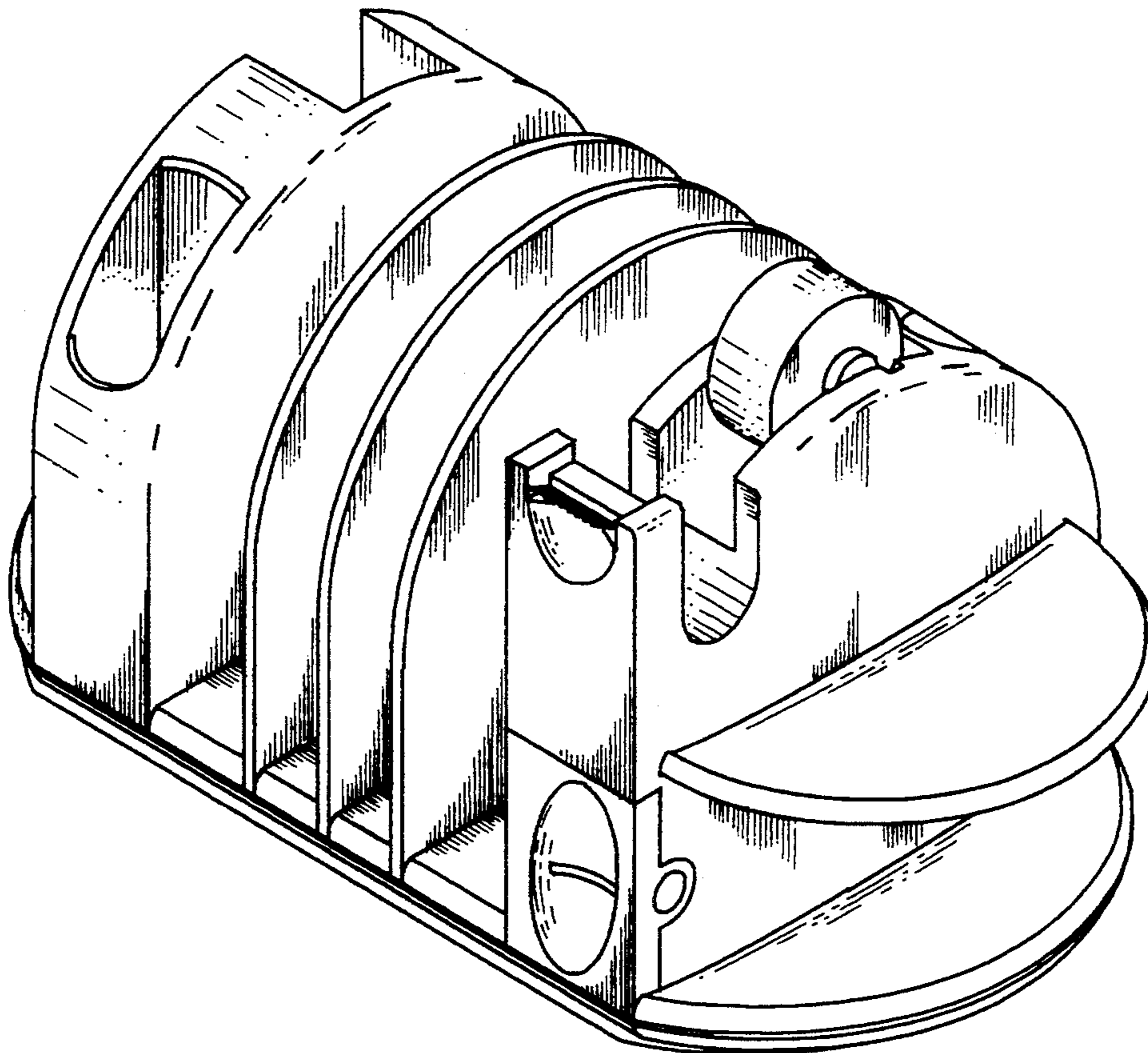
*Primary Examiner*—Martie Thompson  
*Attorney, Agent, or Firm*—Saidman DesignLaw Group

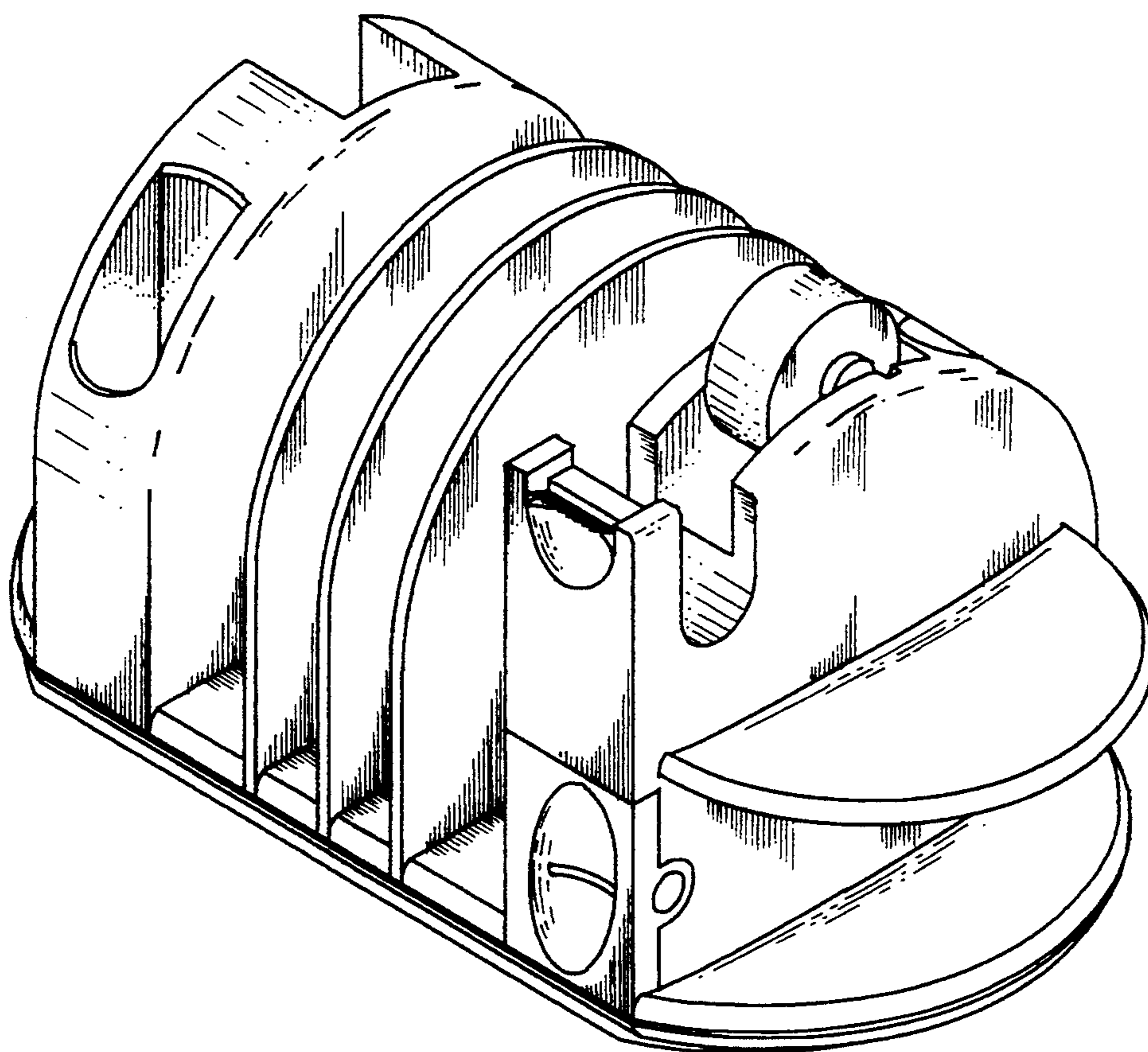
[57] **CLAIM**

The ornamental design for a desktop organizer, as shown.

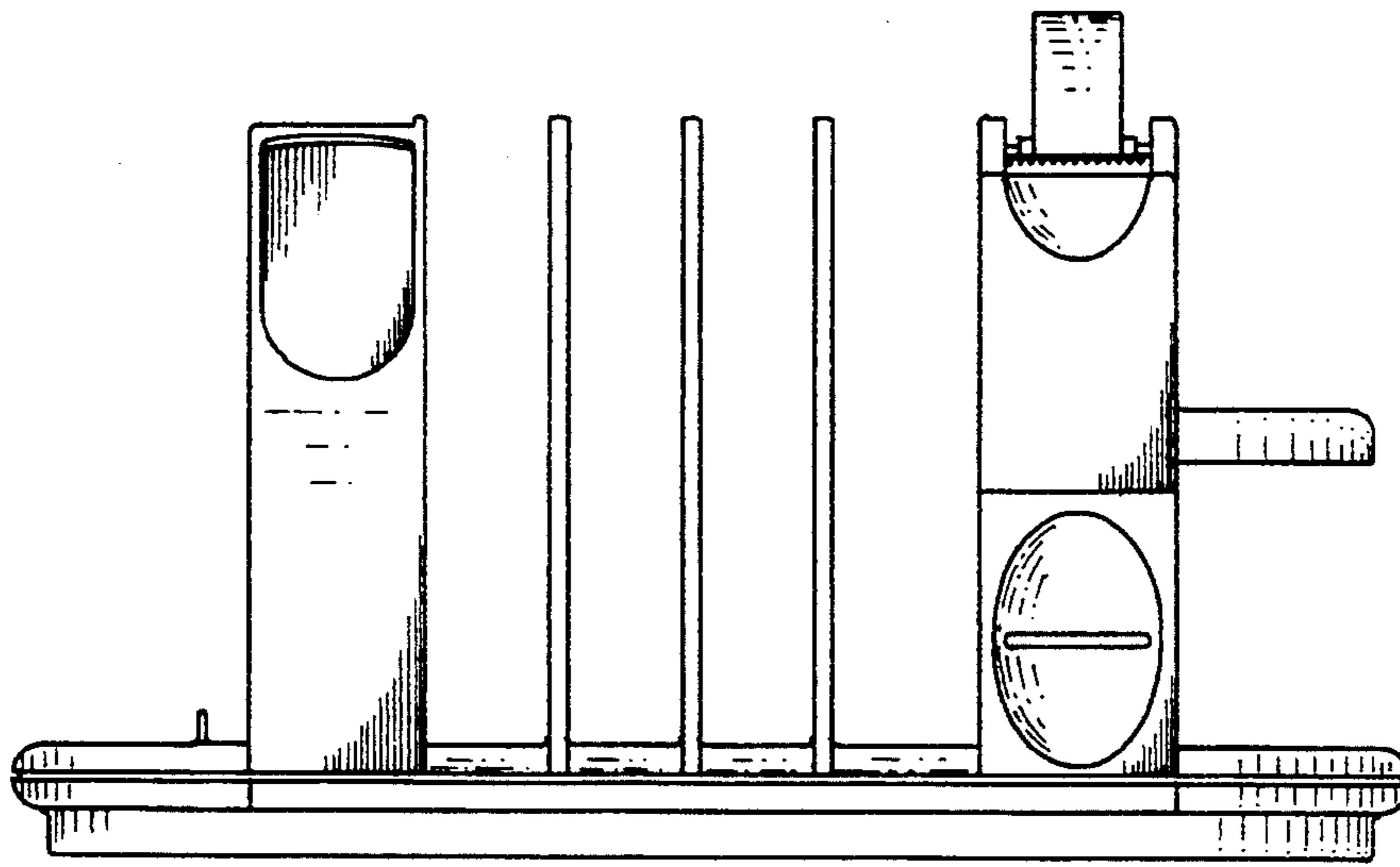
**DESCRIPTION**

FIG. 1 is a perspective view of a desktop organizer showing our new design;  
FIG. 2 is a front elevational view thereof;  
FIG. 3 is a rear elevational view thereof;  
FIG. 4 is a top plan view thereof;  
FIG. 5 is a bottom plan view thereof;  
FIG. 6 is a left side elevational view thereof; and,  
FIG. 7 is a right side elevational view thereof.

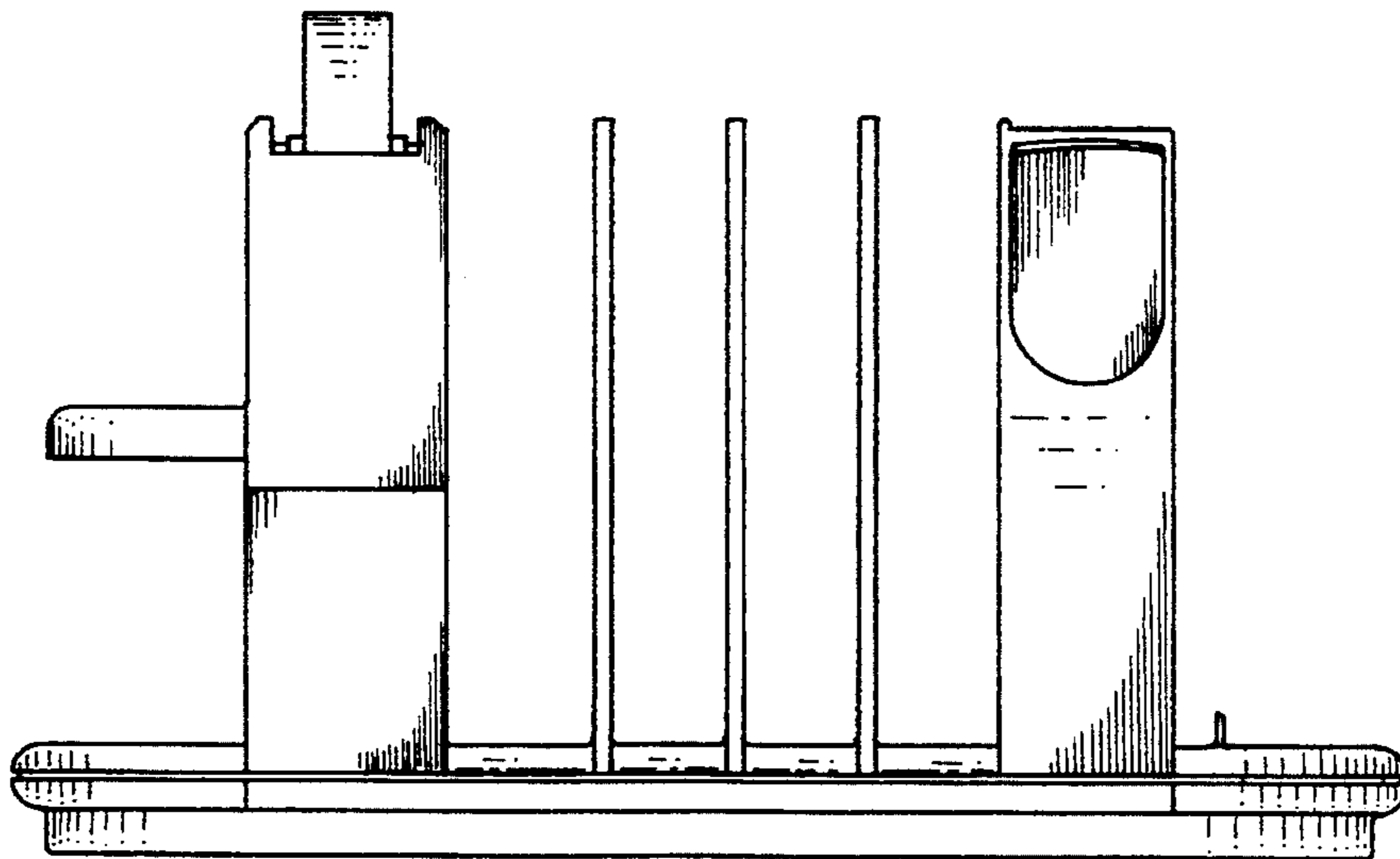




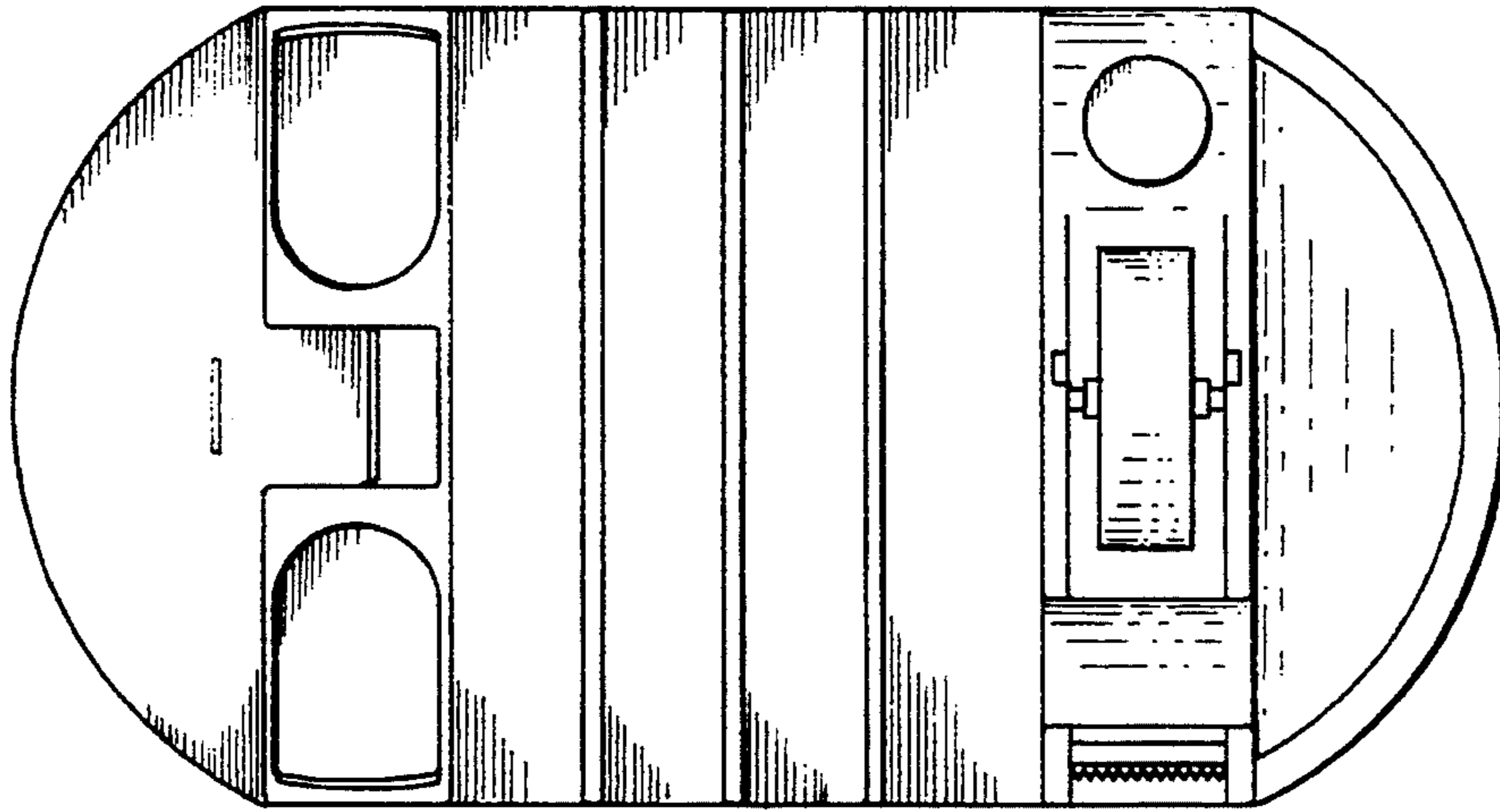
*Fig. 1*



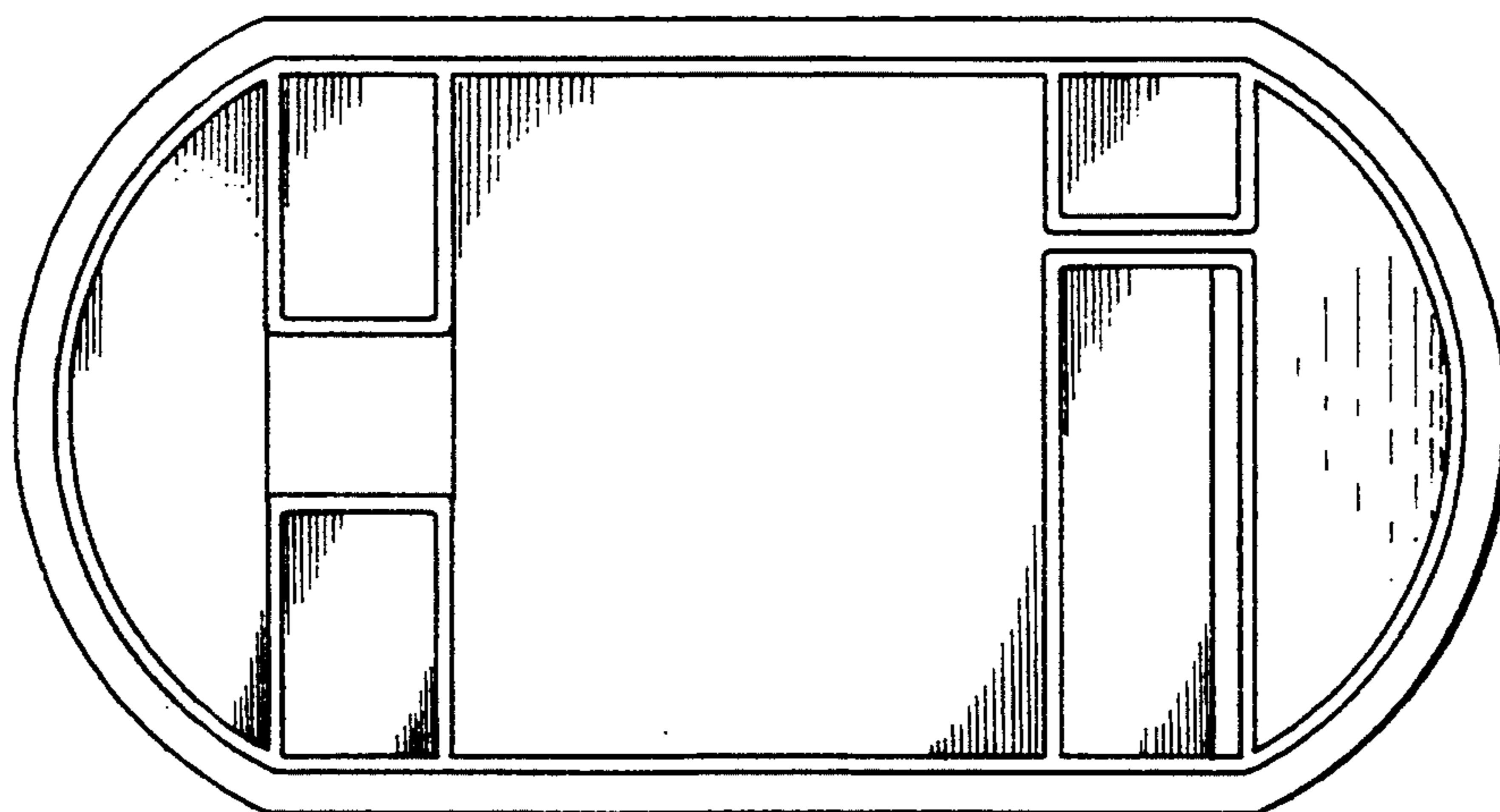
*Fig. 2*



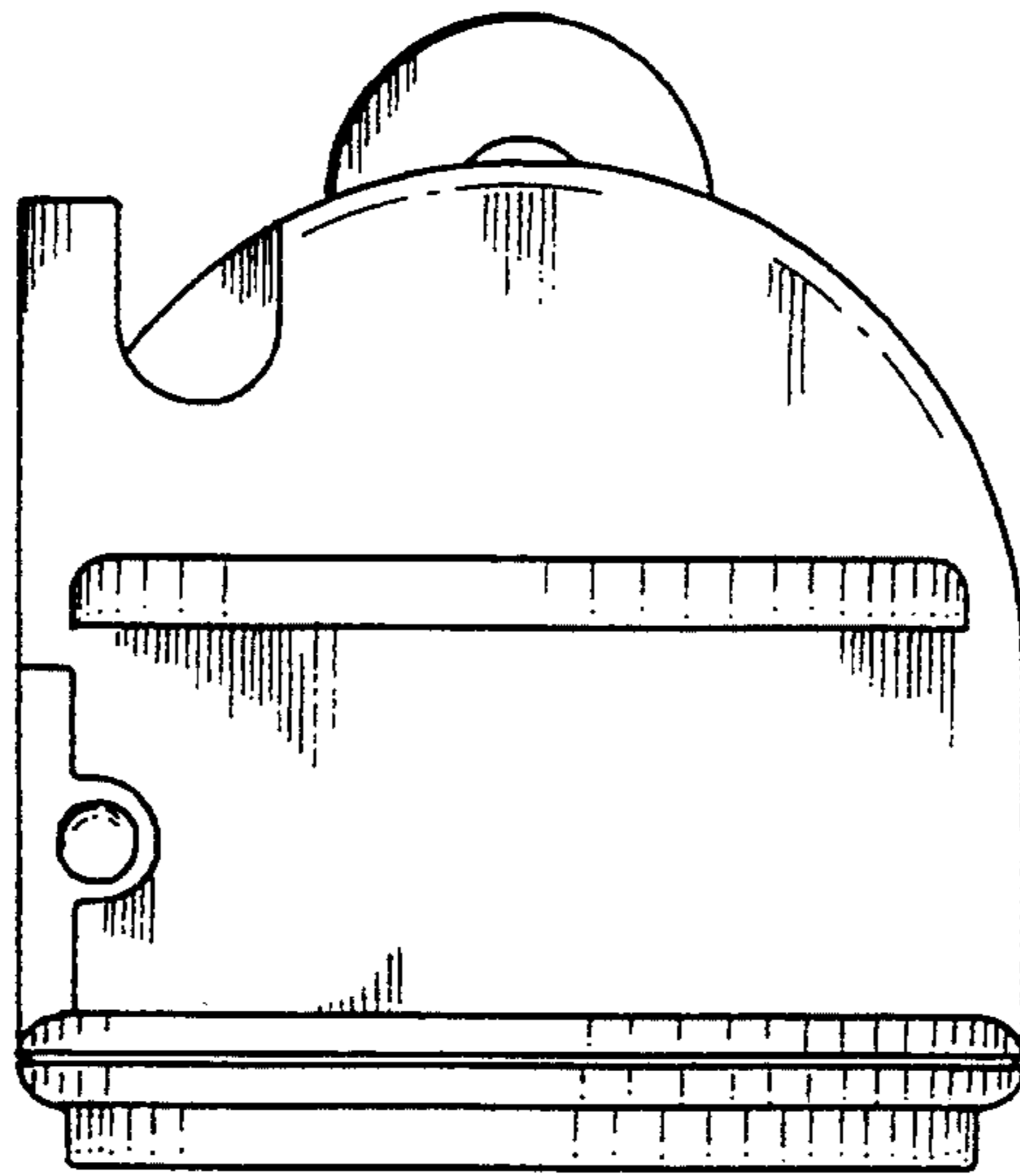
*Fig. 3*



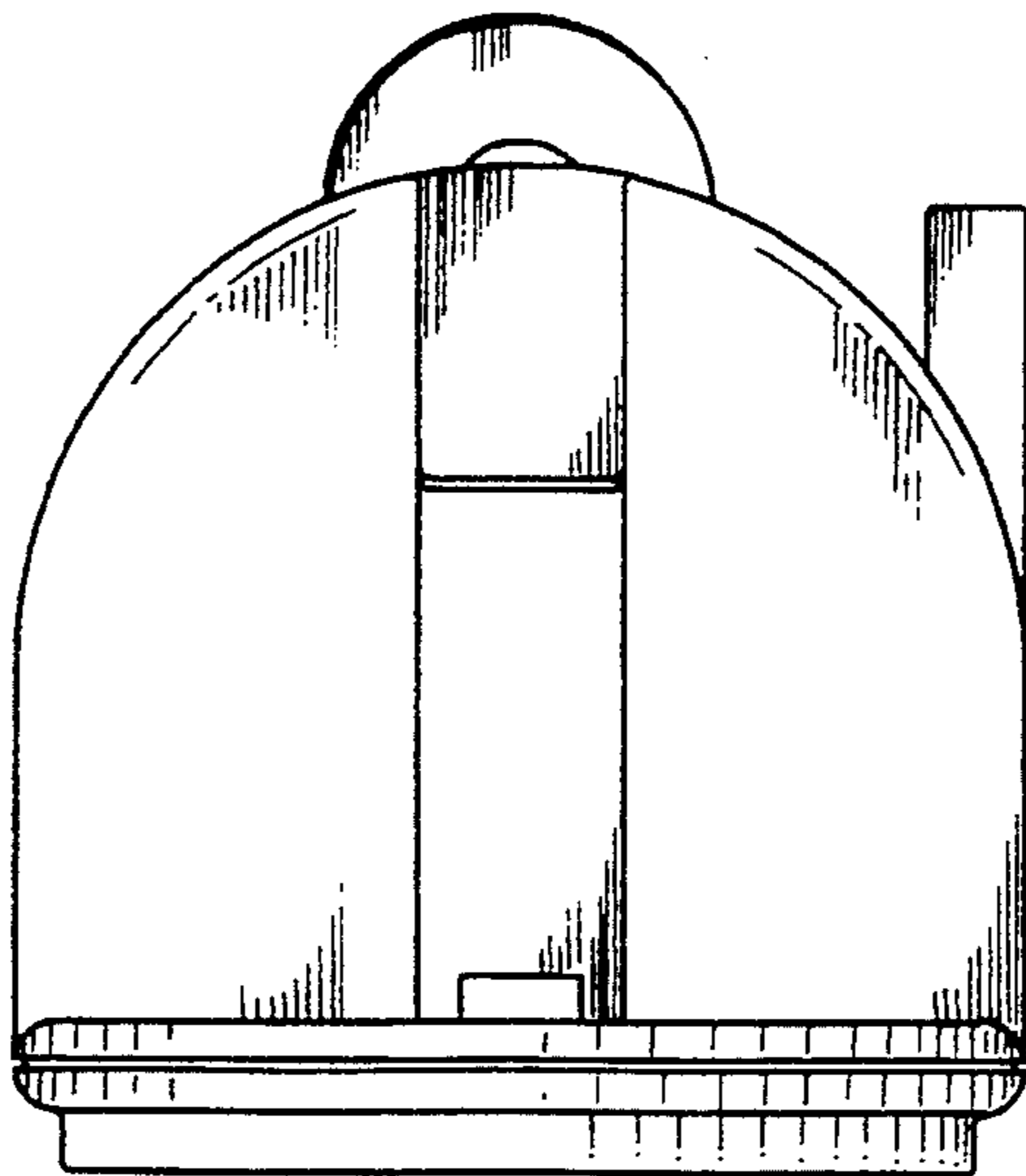
*Fig. 4*



*Fig. 5*



*Fig. 6*



*Fig. 7*