



US00D354076S

# United States Patent [19]

[11] Patent Number: **Des. 354,076**

Fukuda et al.

[45] Date of Patent: **\*\* Jan. 3, 1995**

[54] **COPIER**

D. 295,528	5/1988	Masaki et al.	.....	D18/37
D. 305,775	1/1990	Tamada	.....	D18/36
D. 328,382	7/1992	Komada et al.	.....	D18/36

[75] Inventors: **Kouki Fukuda; Naohiko Kamigaki,**  
both of Nara, Japan

*Primary Examiner*—Alan P. Douglas  
*Assistant Examiner*—Caron D. Veynar  
*Attorney, Agent, or Firm*—Nixon & Vanderhye

[73] Assignee: **Sharp Kabushiki Kaisha,** Osaka,  
Japan

[\*\*] Term: **14 Years**

[57] **CLAIM**

[21] Appl. No.: **12,901**

The ornamental design for a copier, as shown and described.

[22] Filed: **Aug. 27, 1993**

**DESCRIPTION**

[52] U.S. Cl. .... **D18/36**

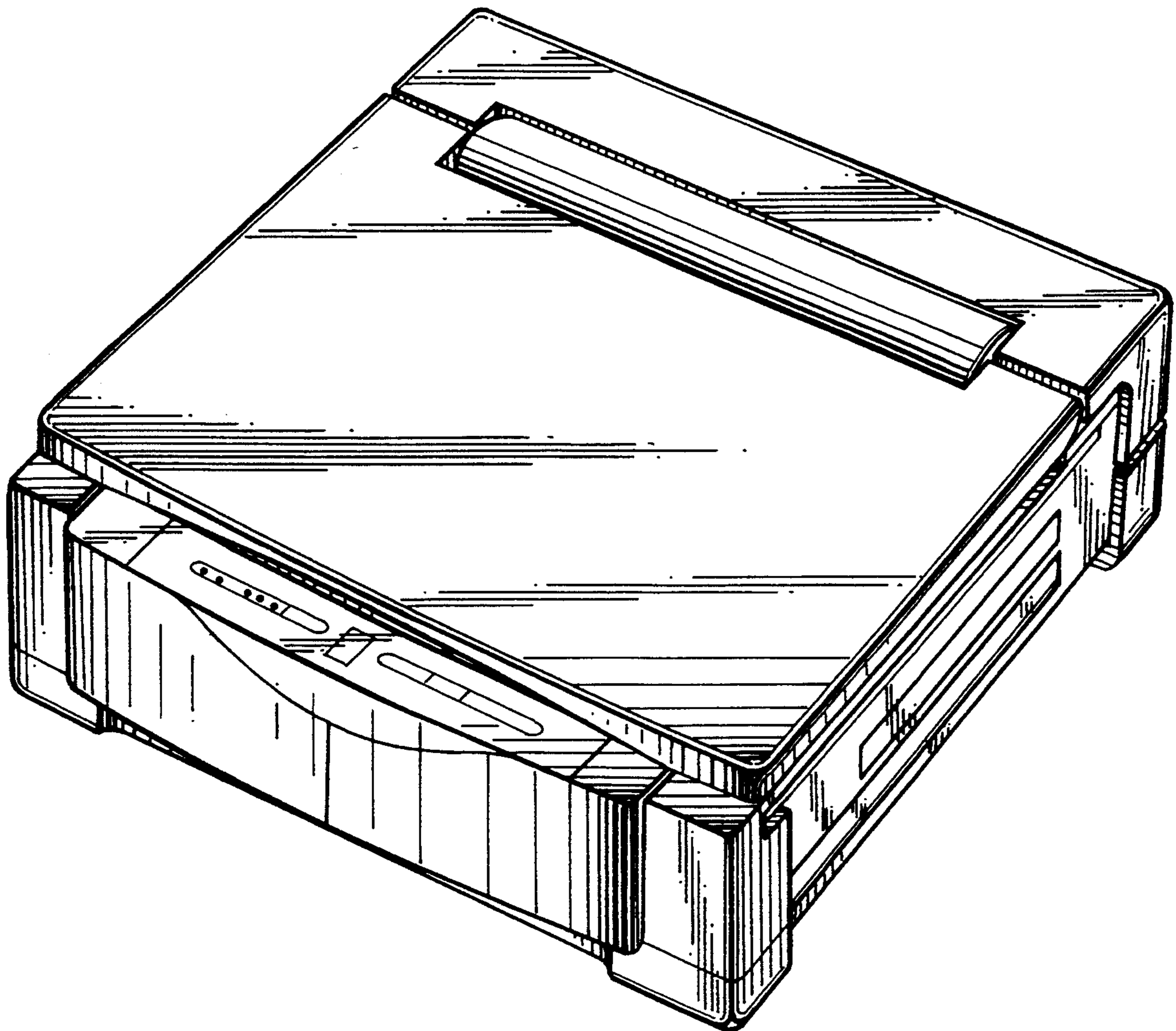
[58] Field of Search ..... **D18/36-39;**  
**D14/111, 112, 116, 118; 355/200, 210, 231,**  
**233-236, 245, 260, 326-328**

FIG. 1 is a top, front and right side perspective view of a copier according to the present design;  
FIG. 2 is a top plan view thereof;  
FIG. 3 is a front elevational view thereof;  
FIG. 4 is a right side elevational view thereof;  
FIG. 5 is a left side elevational view thereof;  
FIG. 6 is a bottom plan view thereof; and,  
FIG. 7 is a rear elevational view thereof.

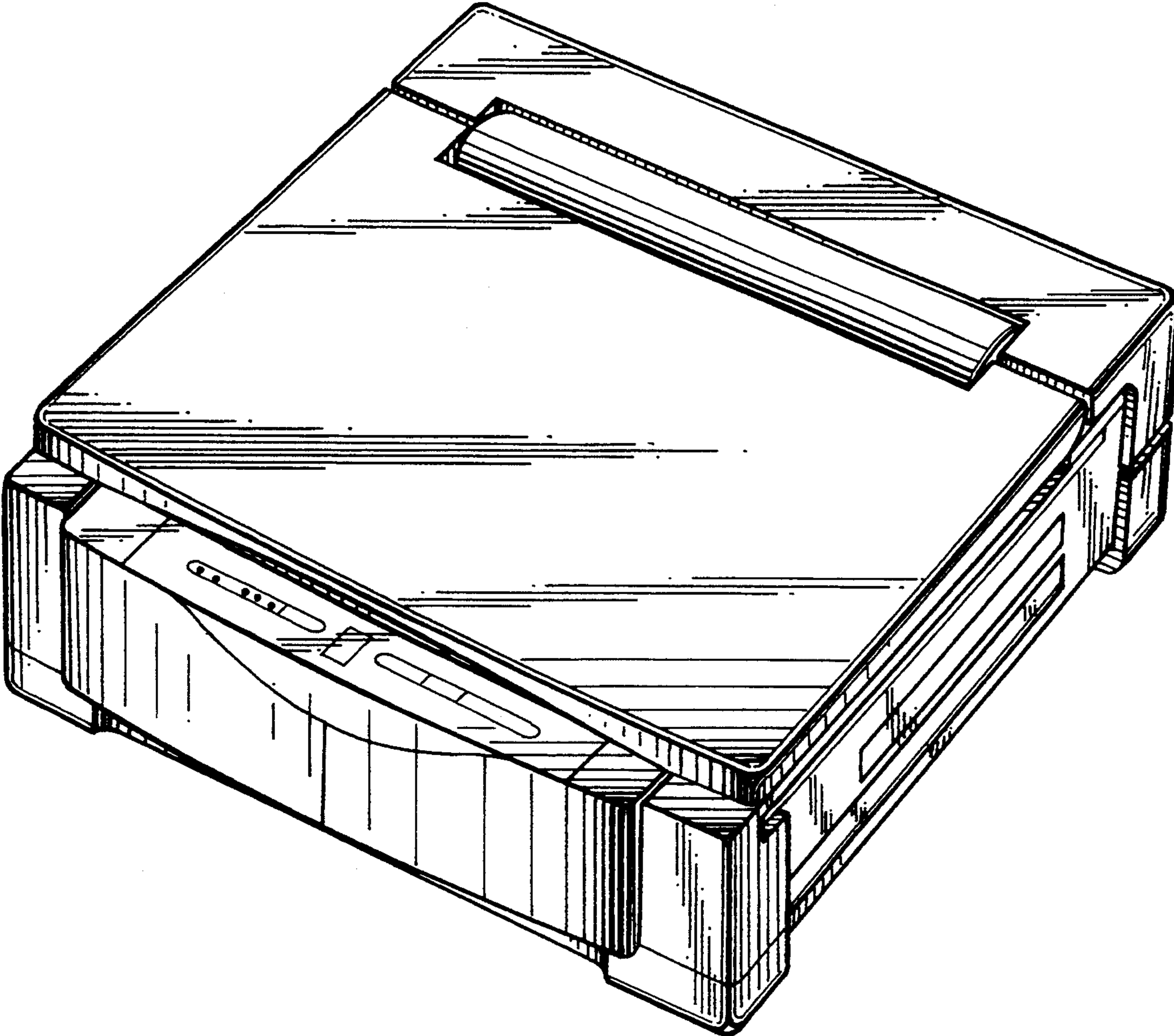
[56] **References Cited**

**U.S. PATENT DOCUMENTS**

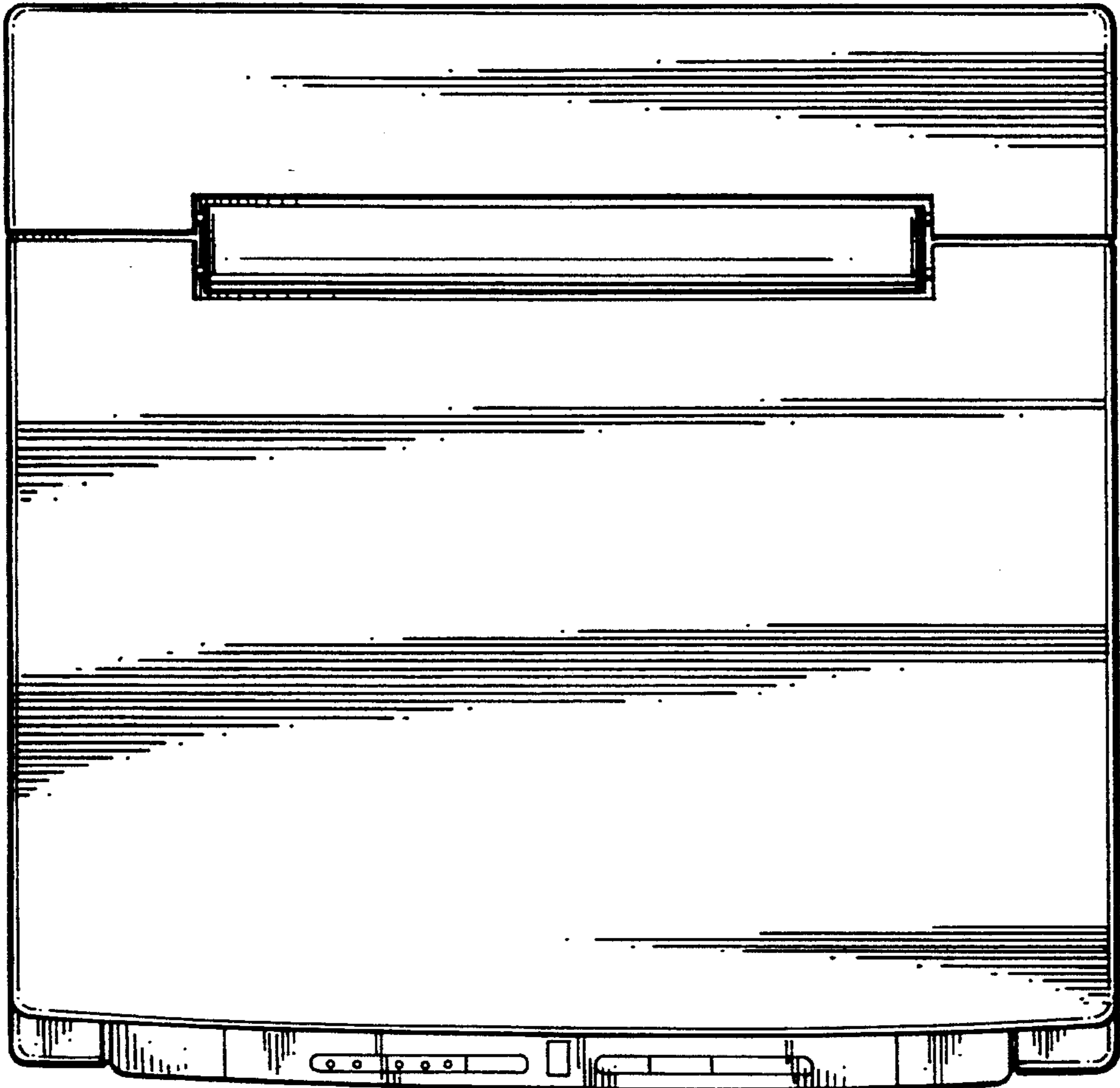
D. 295,520 5/1988 Ooie ..... **D18/37 X**



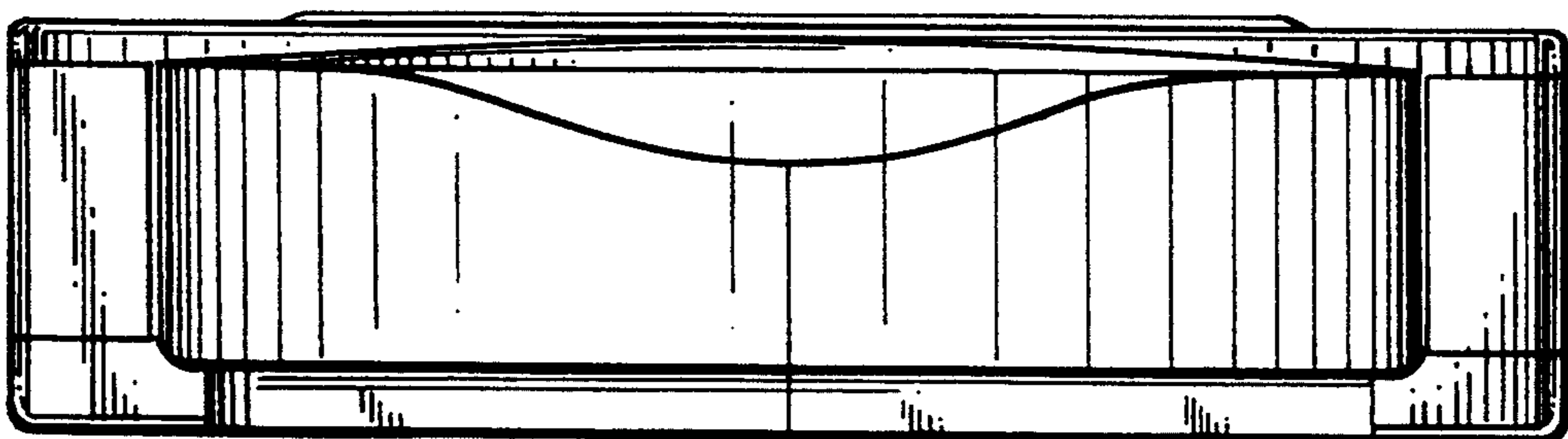
*Fig. 1*



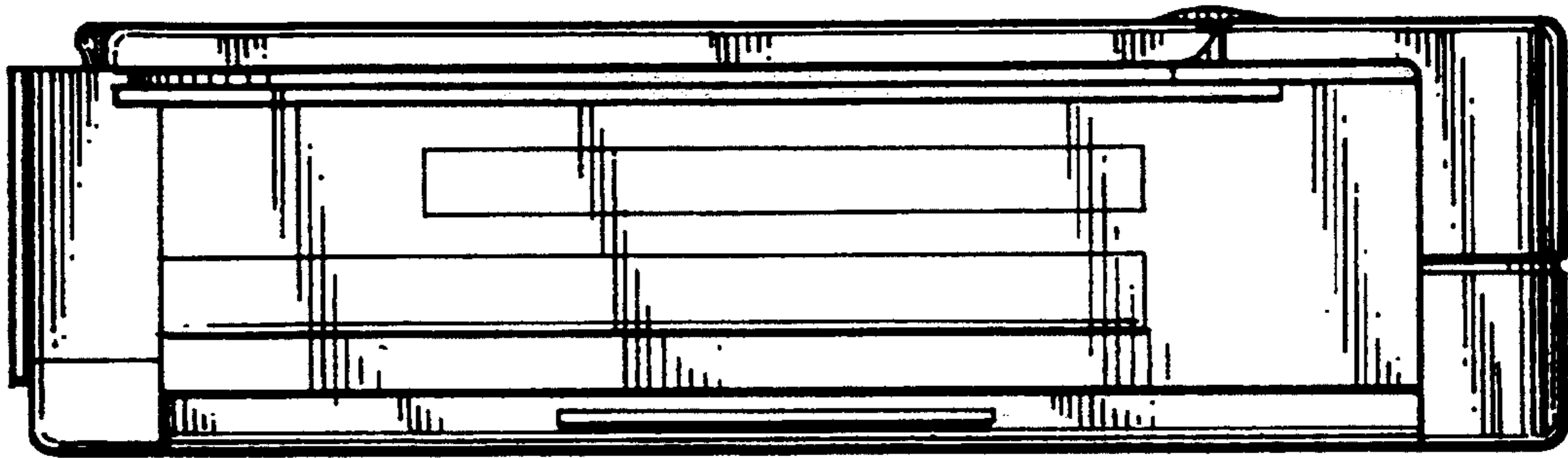
*Fig. 2*



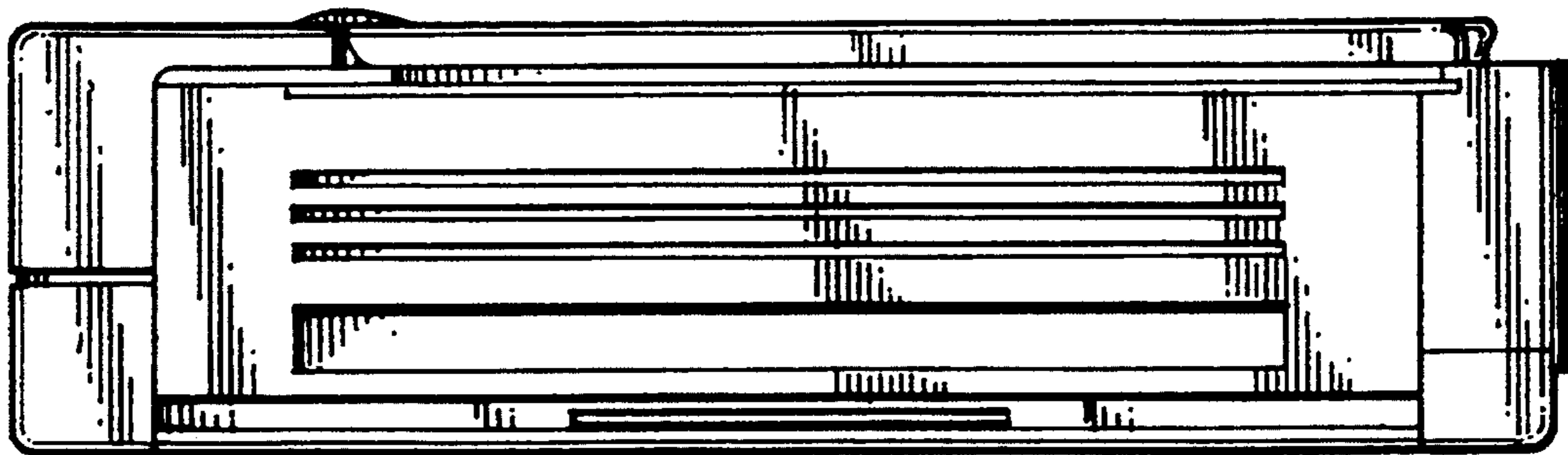
*Fig. 3*



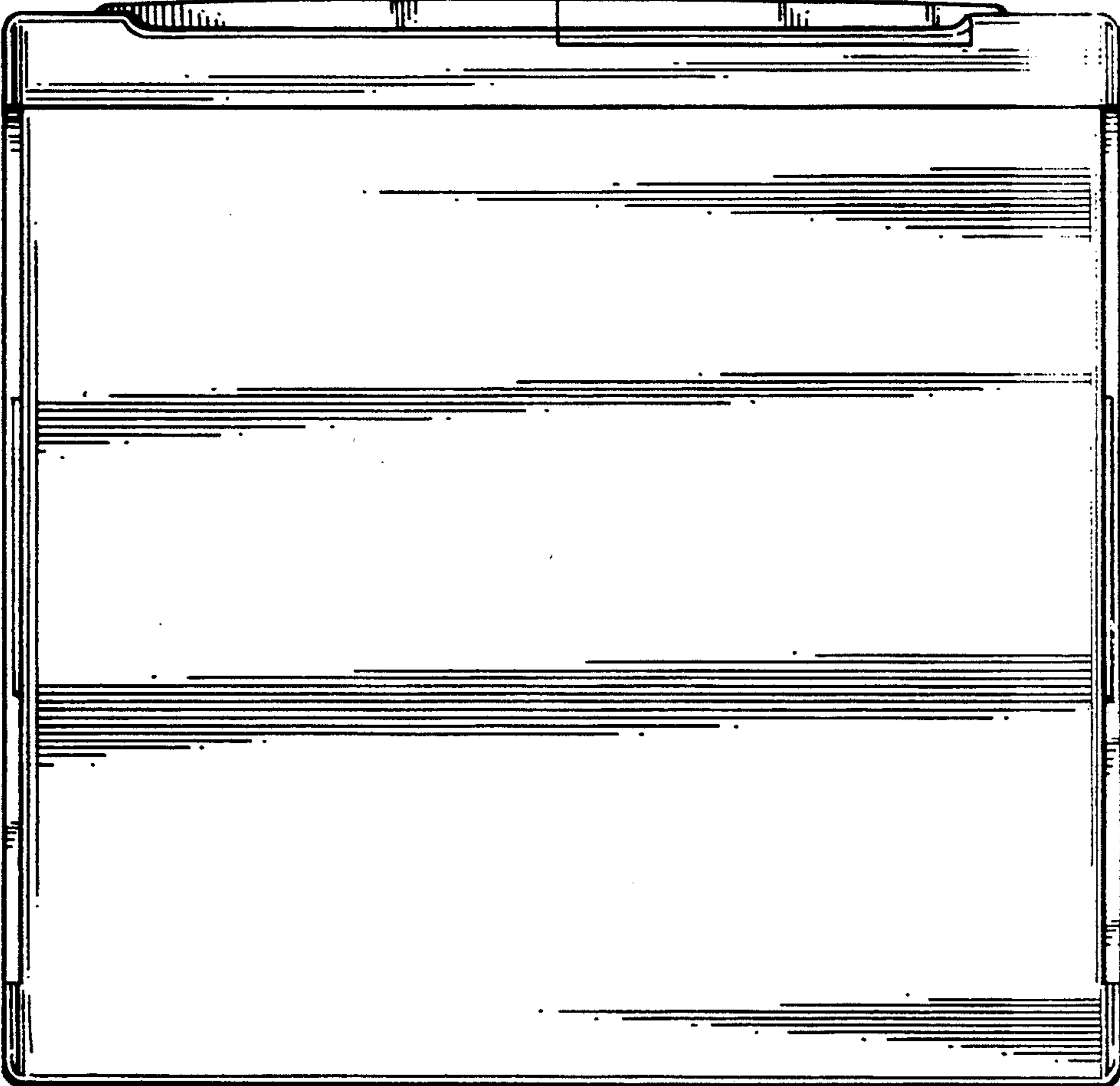
*Fig. 4*



*Fig. 5*



*Fig. 6*



*Fig. 7*

