



US00D354068S

United States Patent [19]

[11] Patent Number: **Des. 354,068**

Canavan et al.

[45] Date of Patent: **** Jan. 3, 1995**

[54] EYEGLASSES

4,141,628 2/1979 Cloessner, Jr. 351/158

[75] Inventors: **Richard W. Canavan**, East Woodstock, Conn.; **James D. Hall**, Lincoln, R.I.

Primary Examiner—Bernard Ansher
Assistant Examiner—R. Barkai
Attorney, Agent, or Firm—Salter & Michaelson

[73] Assignee: **Uvex Safety, LLC**, Smithfield, R.I.

[57] **CLAIM**

[**] Term: **14 Years**

The ornamental design for a pair of eyeglasses, as shown and described.

[21] Appl. No.: **956**

DESCRIPTION

[22] Filed: **Oct. 30, 1992**

[52] U.S. Cl. **D16/313; D16/321**

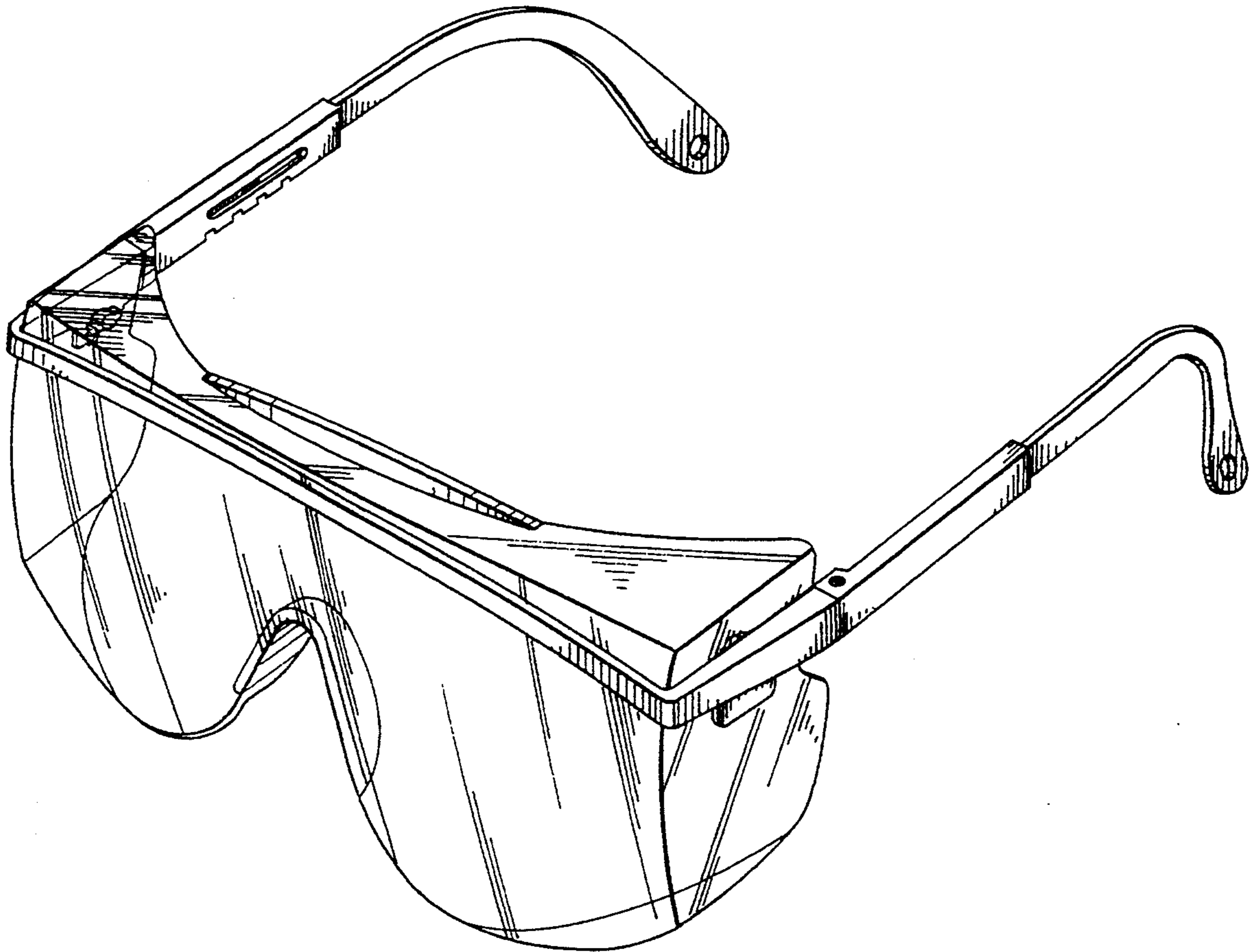
[58] Field of Search **D16/102-103, D16/111-112, 116, 121-123, 127; 351/44, 118, 122, 158; 2/448, 449**

FIG. 1 is a front perspective view of a pair of eyeglasses embodying my new design;
FIG. 2 is a side elevational view thereof, the side opposite being a mirror image;
FIG. 3 is a top plan view thereof;
FIG. 4 is a front elevational view thereof;
FIG. 5 is a bottom plan view thereof;
FIG. 6 is a rear elevational view thereof;
FIG. 7 is a front perspective view of a second embodiment of a pair of eyeglasses embodying my new design;
FIG. 8 is a side elevational view thereof, the side opposite being a mirror image;
FIG. 9 is a top plan view thereof;
FIG. 10 is a front elevational view thereof;
FIG. 11 is a bottom plan view thereof; and,
FIG. 12 is a rear elevational view thereof.

[56] **References Cited**

U.S. PATENT DOCUMENTS

D. 323,335	1/1992	Dalloz	D16/112
D. 331,765	12/1992	Canavan	D16/112
D. 337,596	7/1993	Canavan	D16/123
D. 342,535	12/1993	Duffie	D16/112
D. 342,958	1/1994	Canavan	D16/112
2,274,791	3/1942	Huggins	D16/112
2,534,655	12/1950	Baratelli	D16/112
3,233,249	2/1966	Baratelli	351/44
3,873,192	3/1975	Anderson	351/118



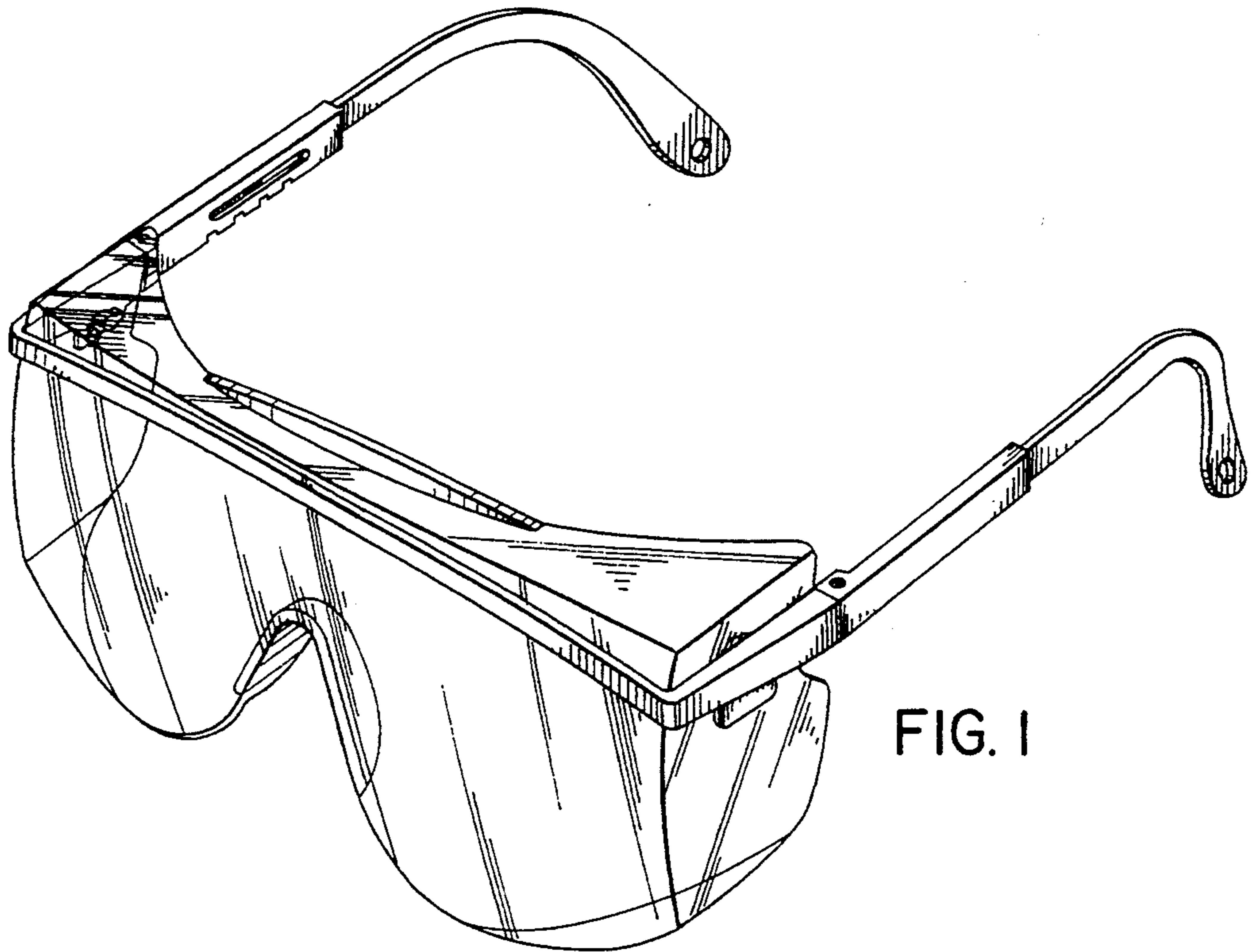


FIG. 1

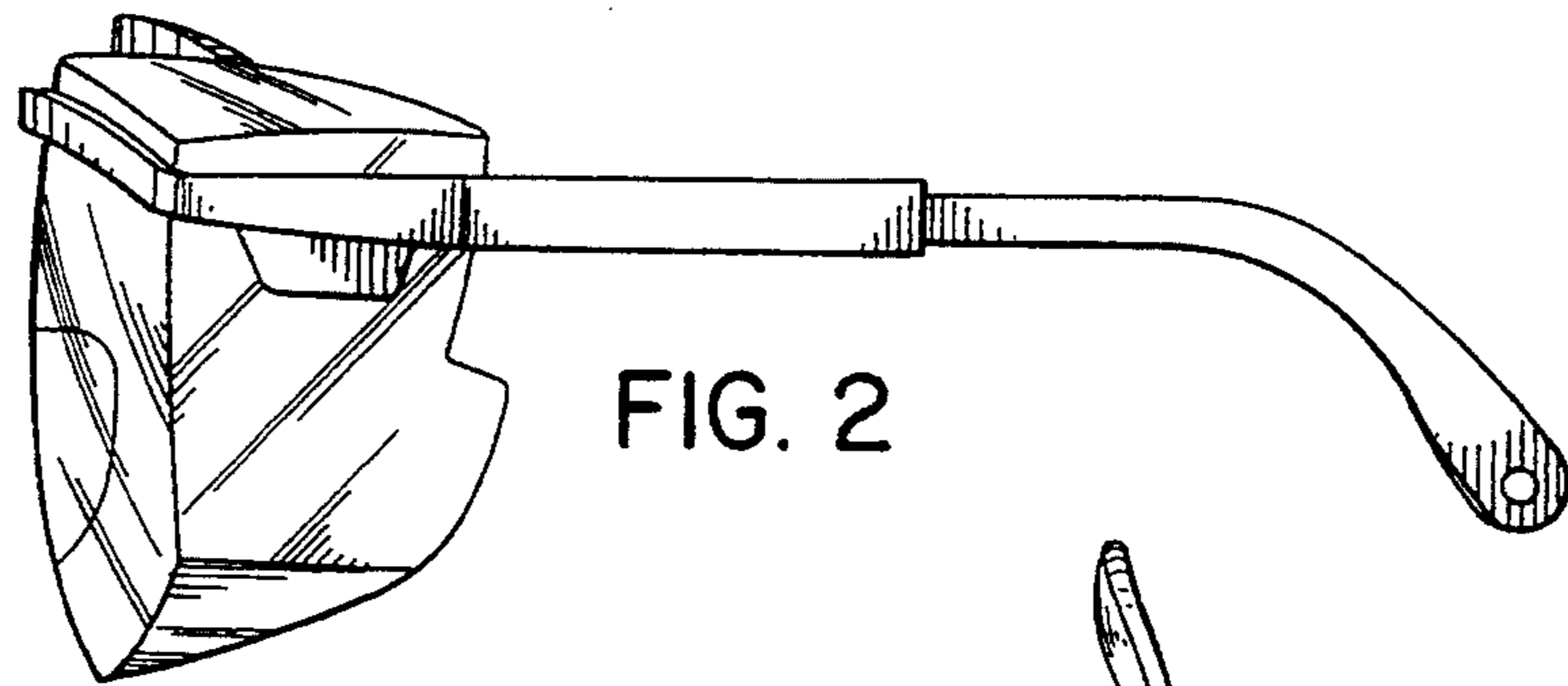


FIG. 2

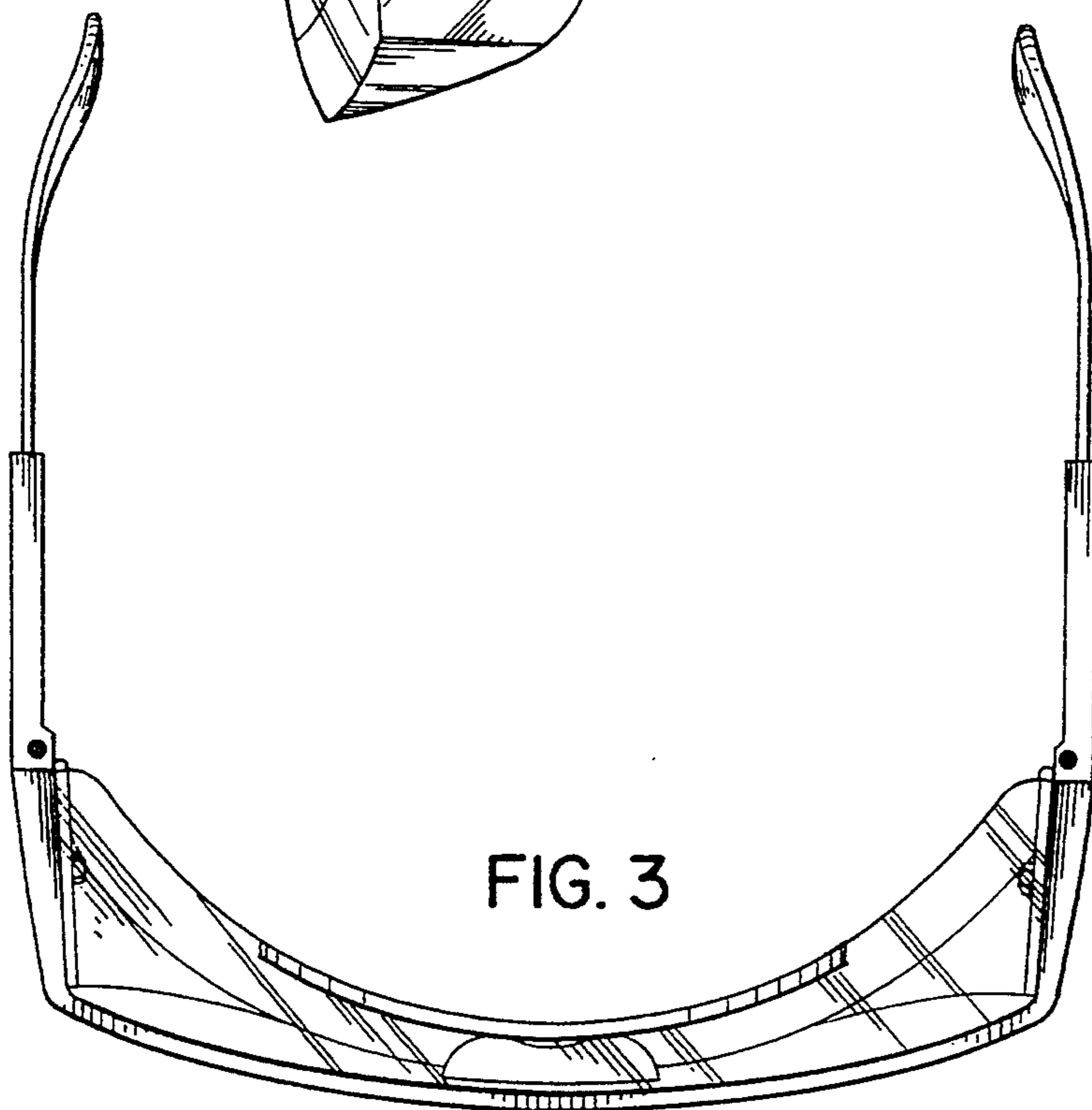


FIG. 3

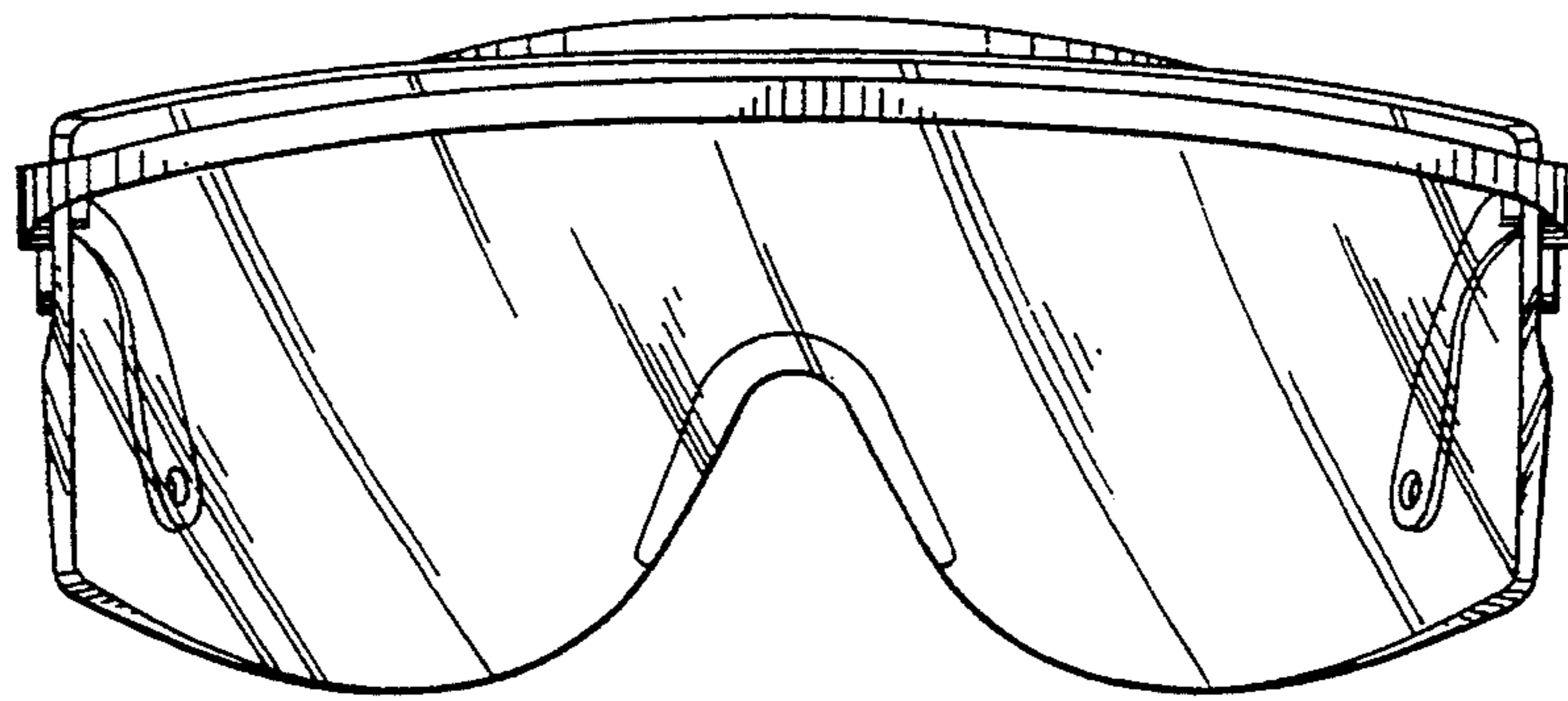


FIG. 4

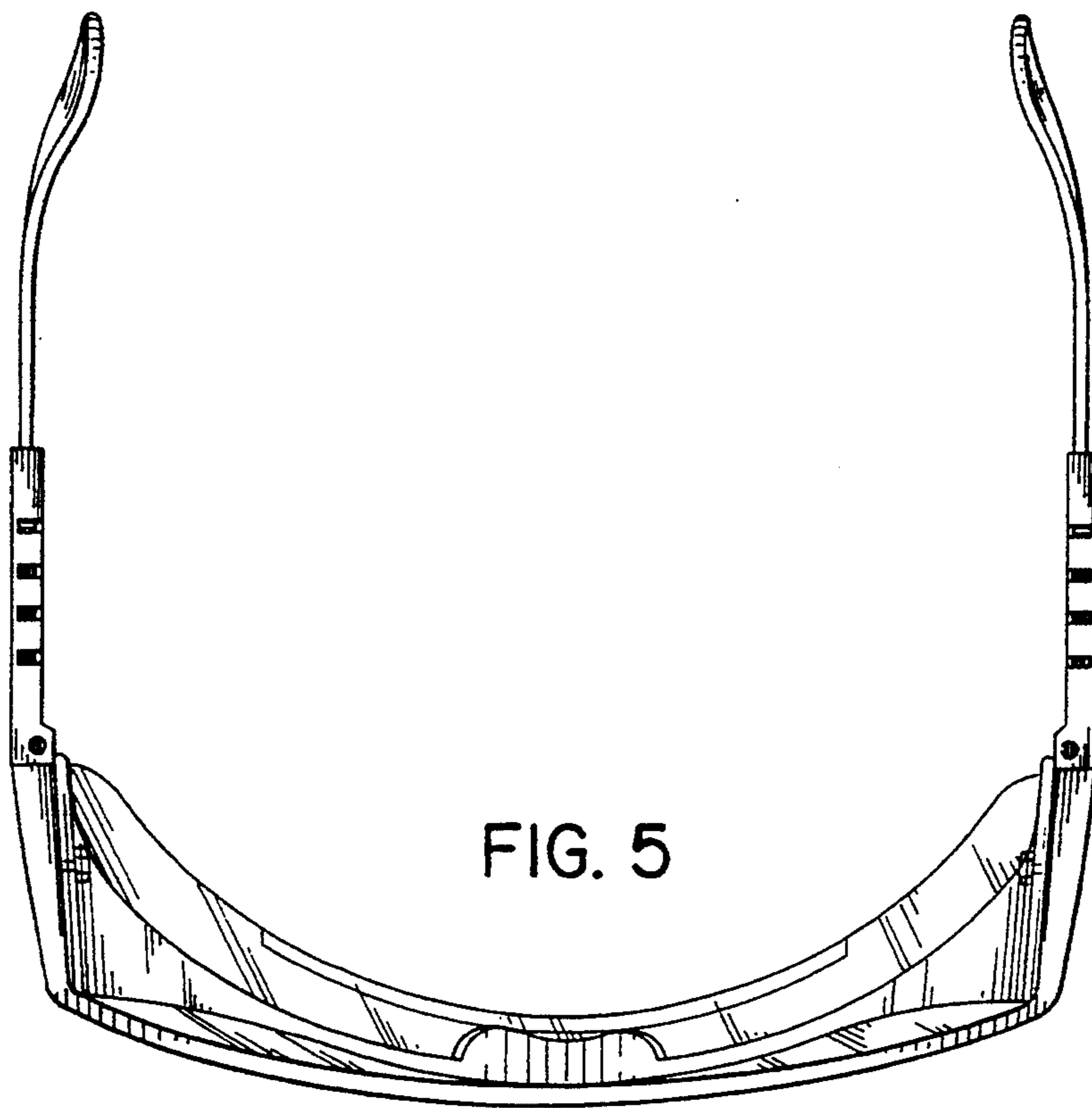


FIG. 5

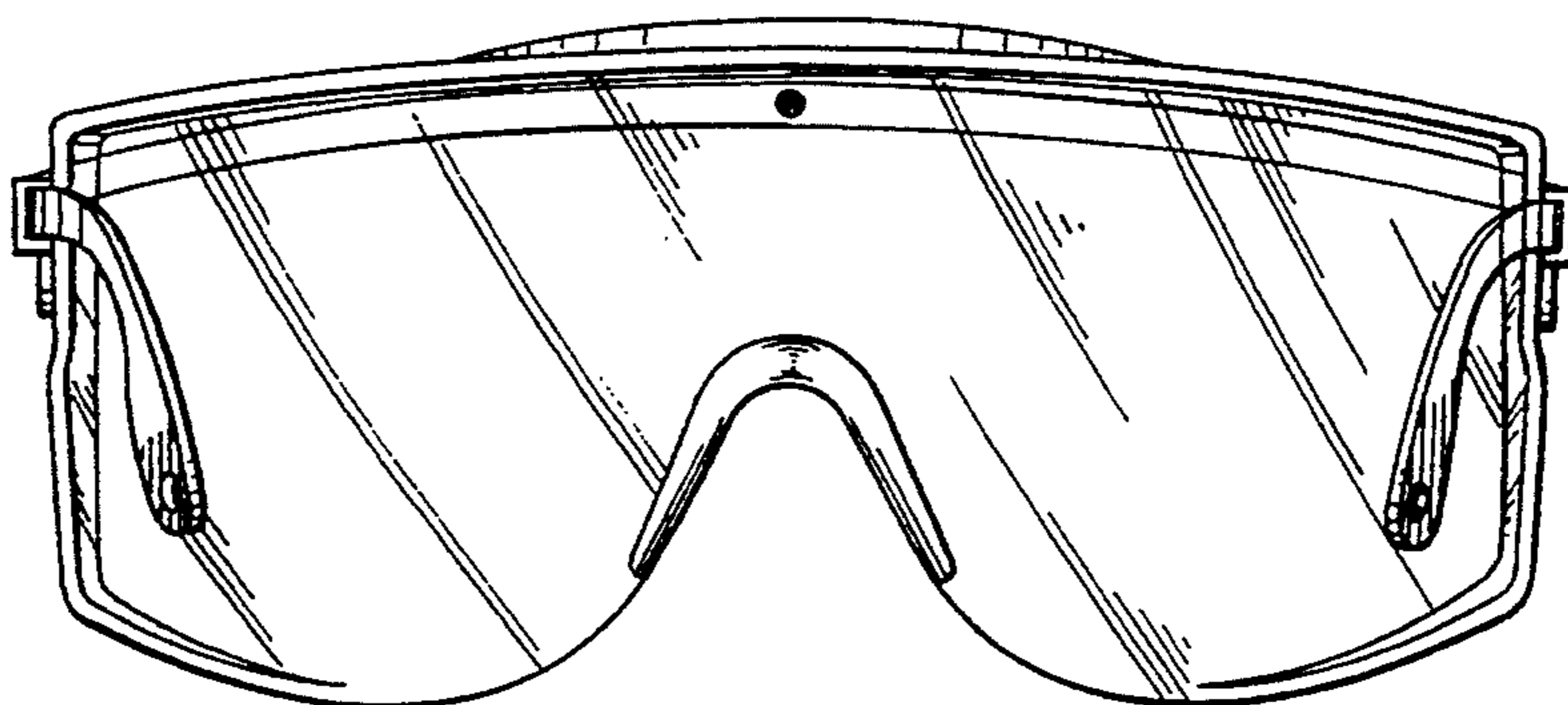


FIG. 6

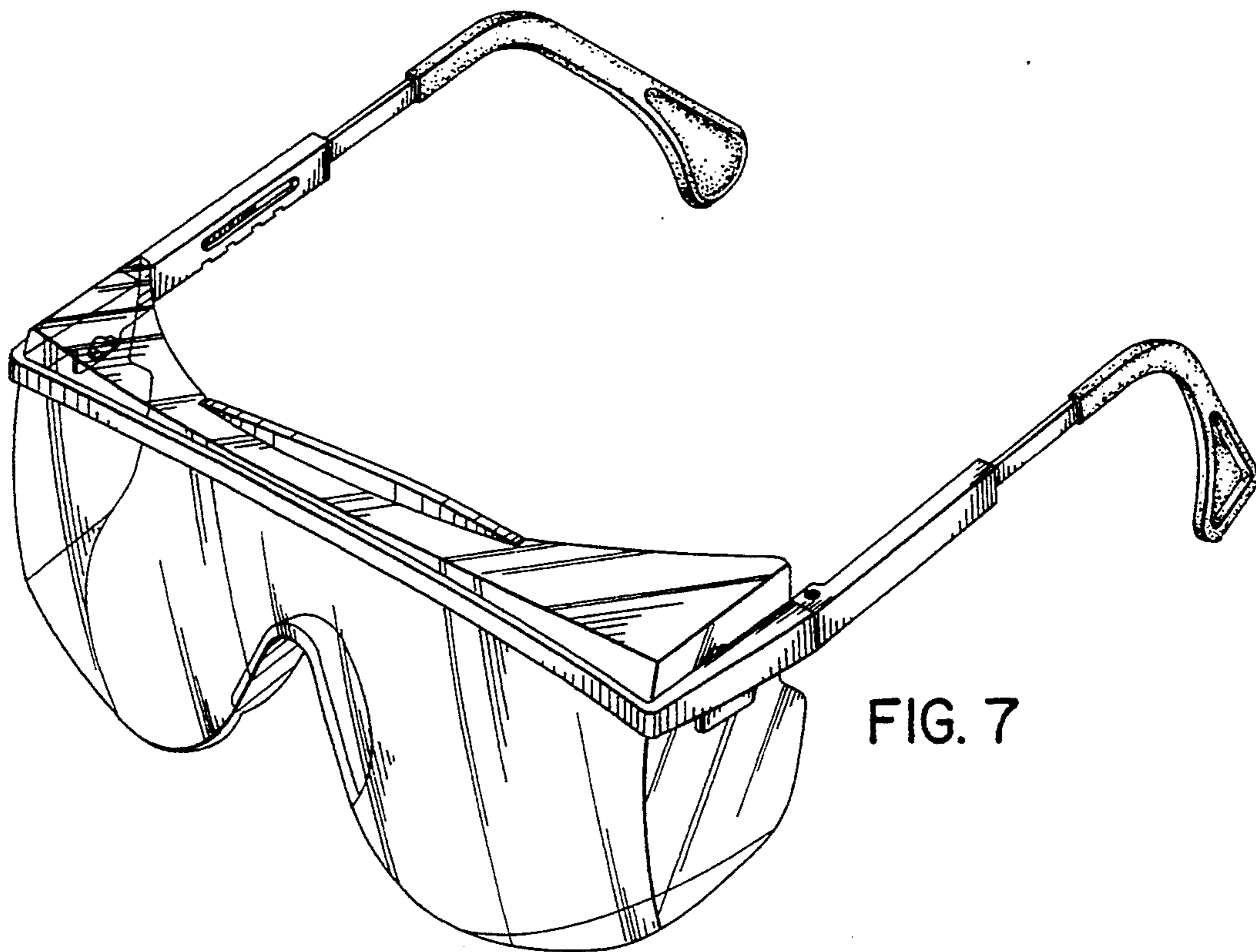


FIG. 7

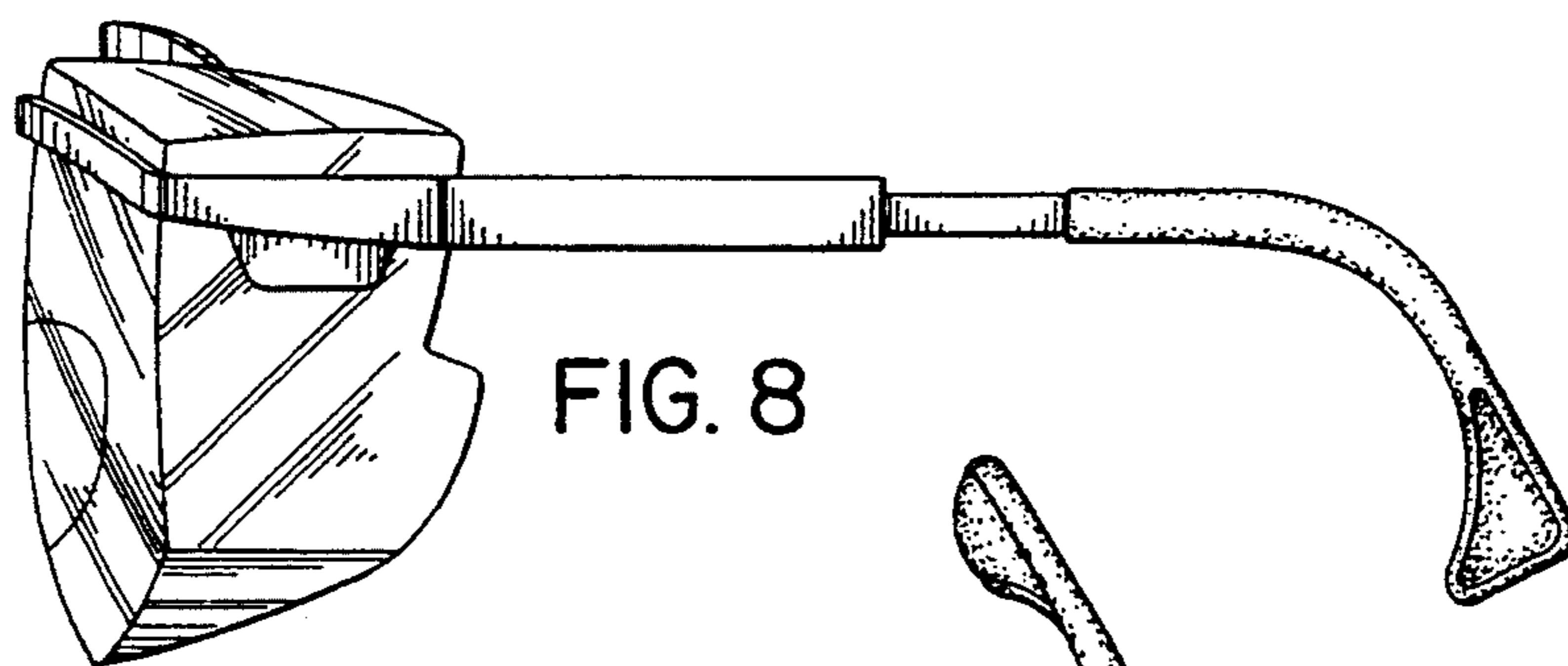


FIG. 8

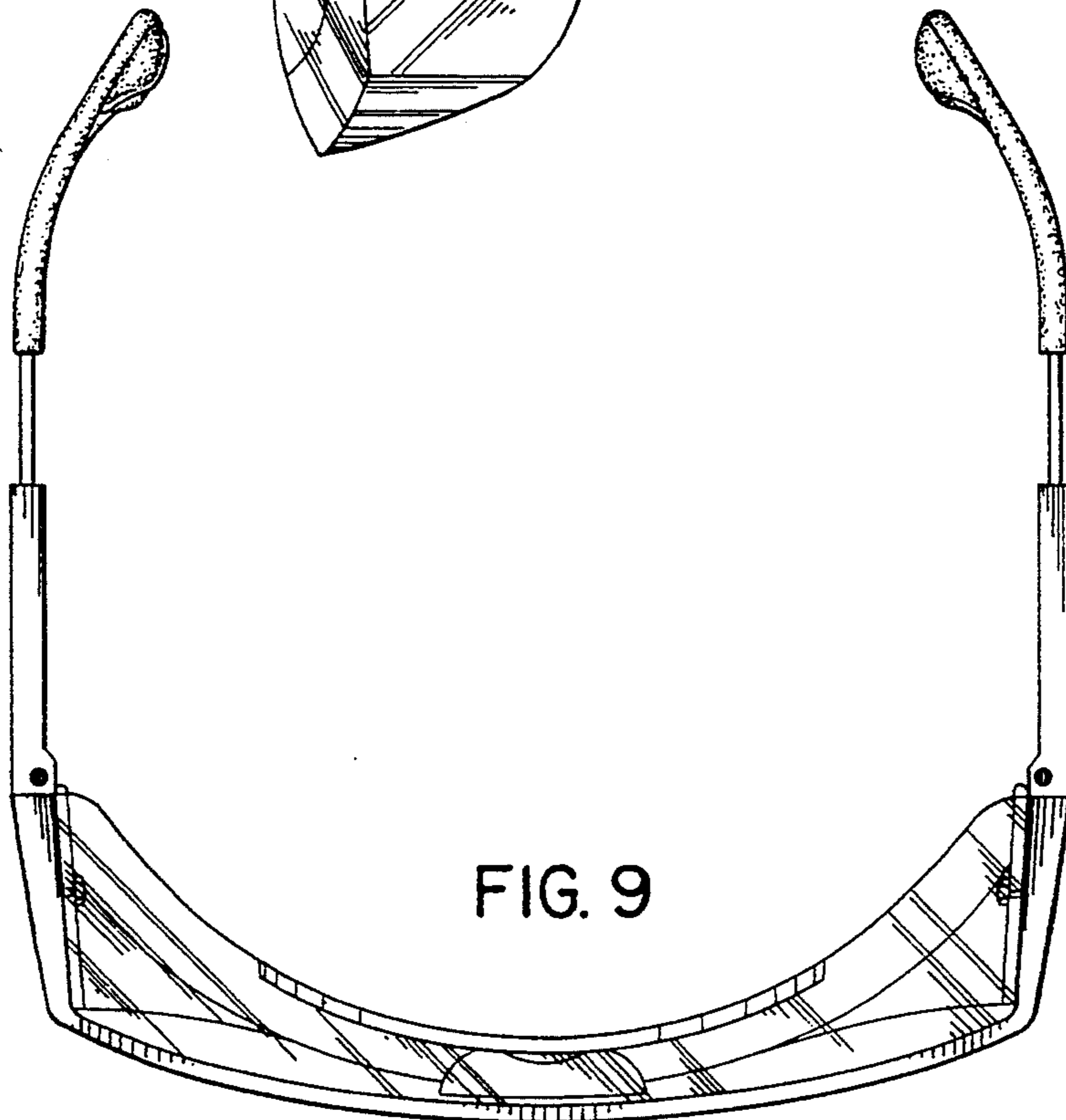


FIG. 9

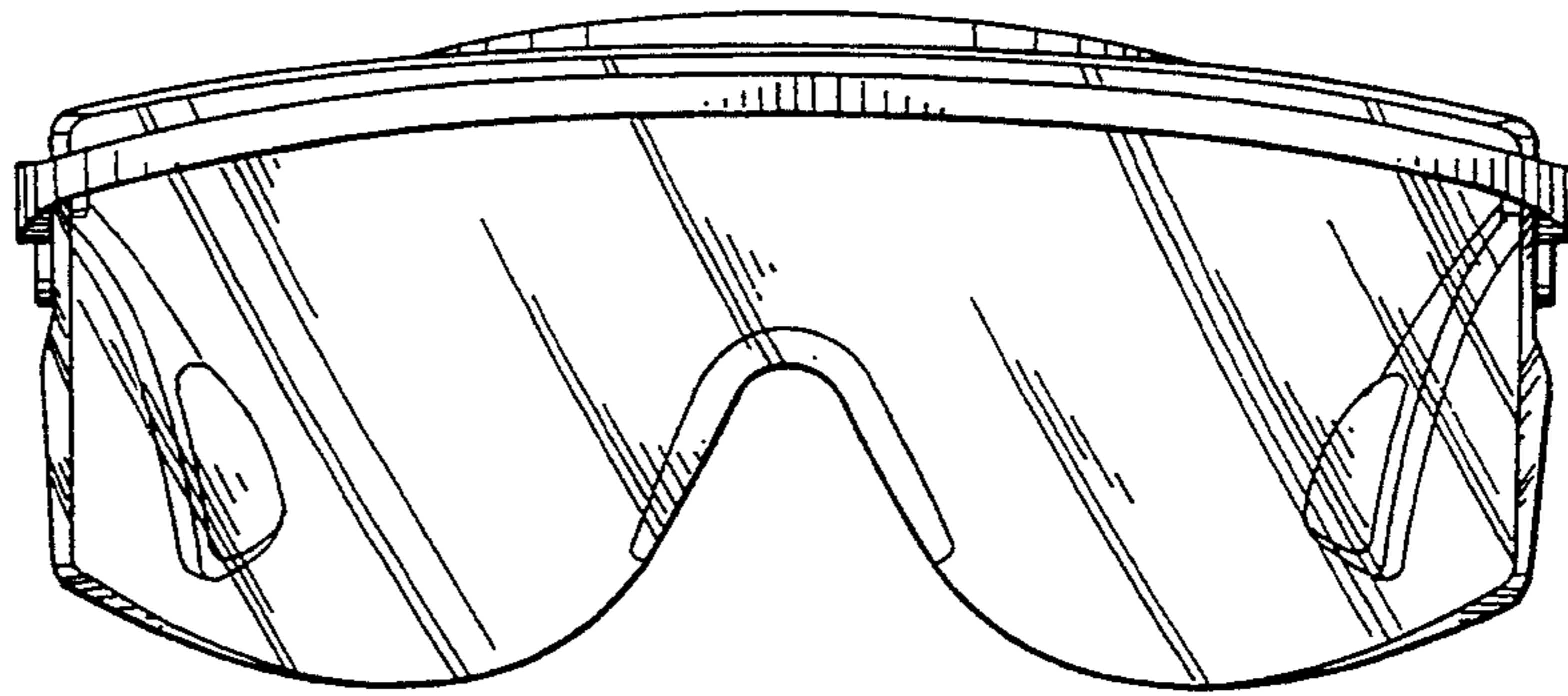


FIG. 10

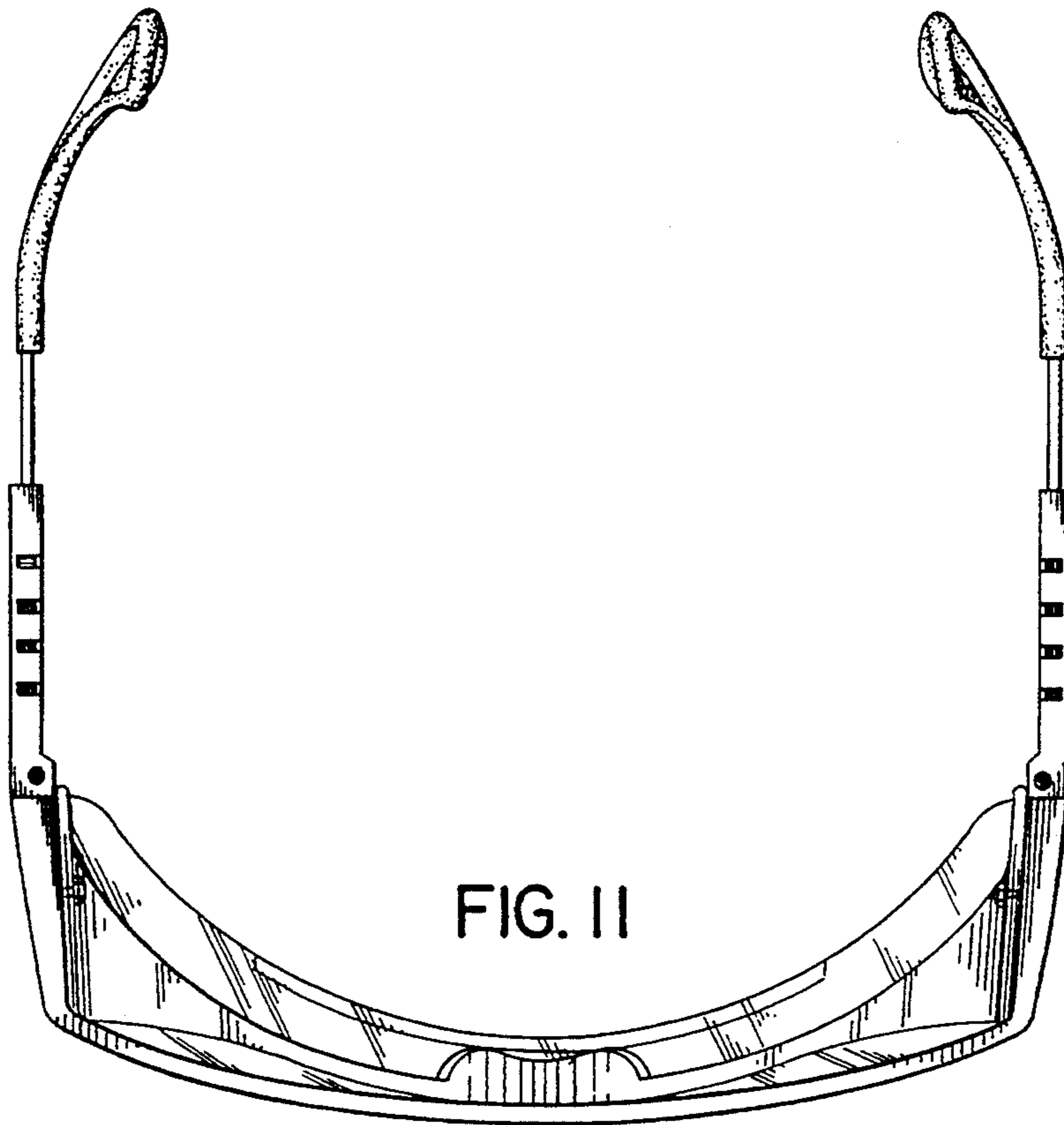


FIG. 11

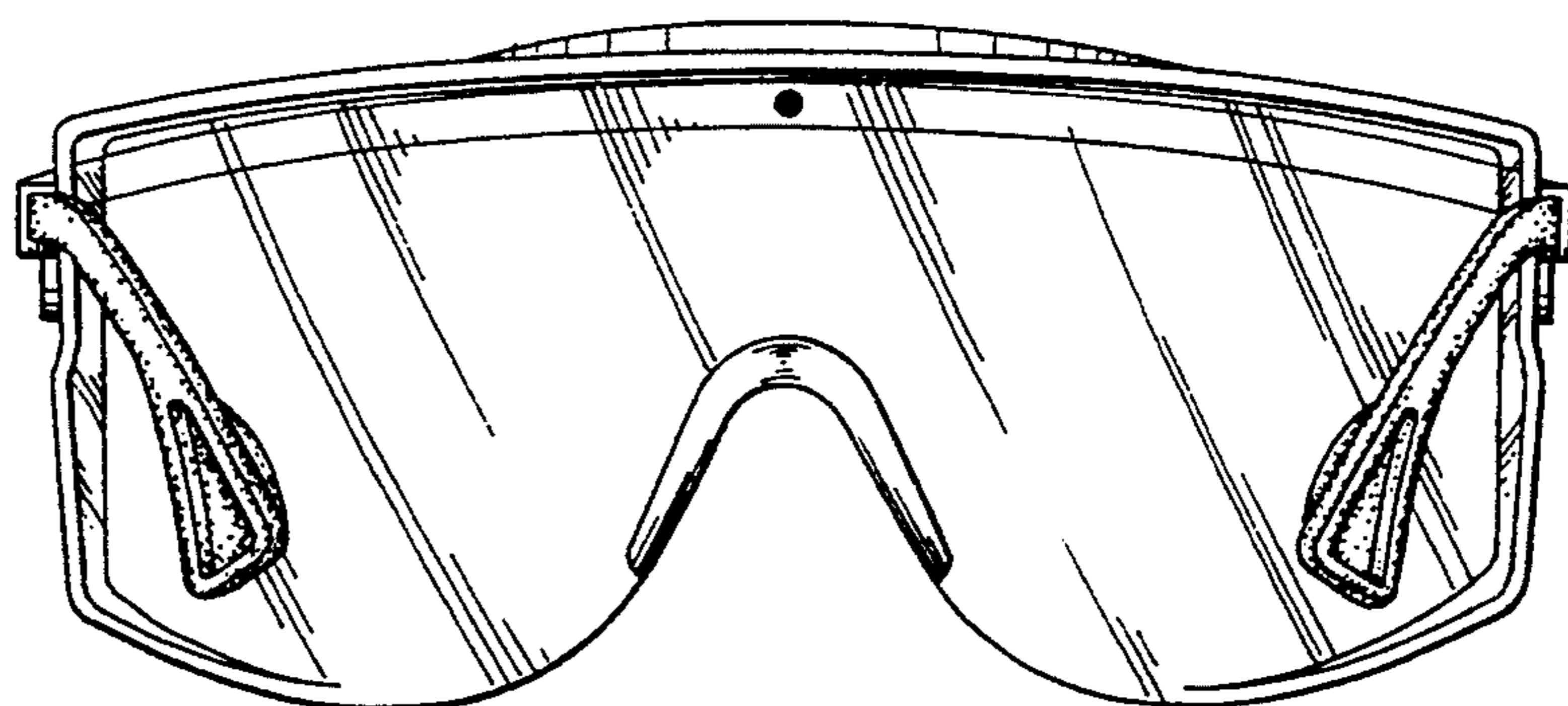


FIG. 12