



US00D354066S

United States Patent [19]

[11] Patent Number: **Des. 354,066**

Young

[45] Date of Patent: **** Jan. 3, 1995**

[54] **SPECIFIC GRAVITY METAL SEPARATOR**

4,003,830 1/1977 Schloemann 209/223.1 X

[76] Inventor: **Frederick W. Young**, 122 Wilder St.,
Niceville, Fla. 32578

Primary Examiner—Nelson C. Holtje
Assistant Examiner—Antoine D. Davis

[**] Term: **14 Years**

[57] **CLAIM**

[21] Appl. No.: **801,083**

The ornamental design for a specific gravity metal separator, as shown and described.

[22] Filed: **Dec. 2, 1991**

[52] U.S. Cl. **D15/147**

[58] Field of Search **D15/147, 199; 209/1, 209/2, 8, 9, 12, 39, 40, 213, 214, 232, 478, 223.1, 225, 228; 210/222, 223, 698**

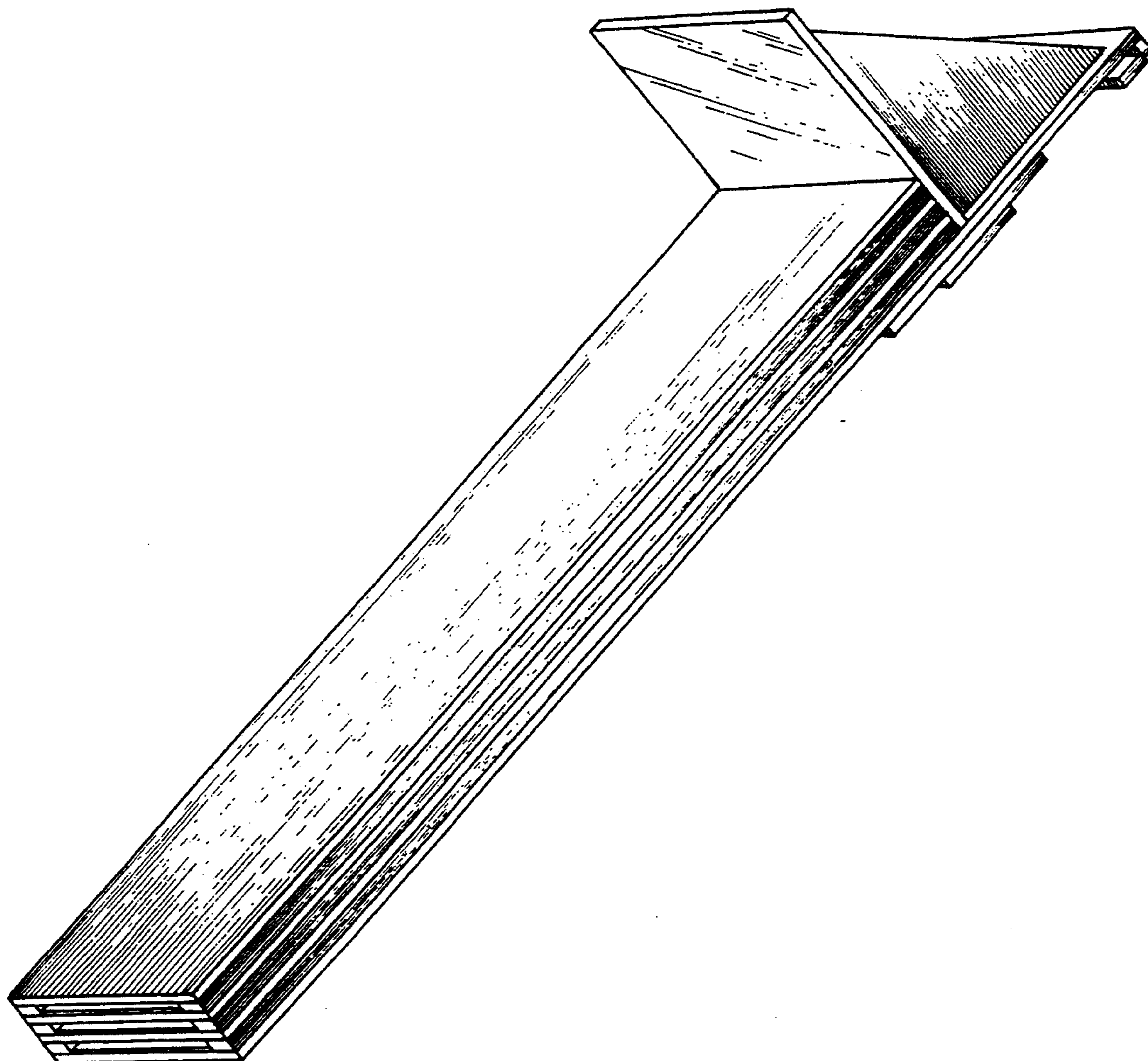
DESCRIPTION

[56] **References Cited**

U.S. PATENT DOCUMENTS

D. 139,042 10/1944 Pabst D15/147 X
D. 268,842 5/1983 Gordon, Jr. D15/147

FIG. 1 is a top perspective elevational view of a specific gravity metal separator showing my new design; FIG. 2 is a right side elevational view thereof; FIG. 3 is a top plan view thereof; FIG. 4 is a bottom plan view thereof; FIG. 5 is a left side elevational view thereof; FIG. 6 is a front elevational view thereof; and, FIG. 7 is a rear elevational view thereof.



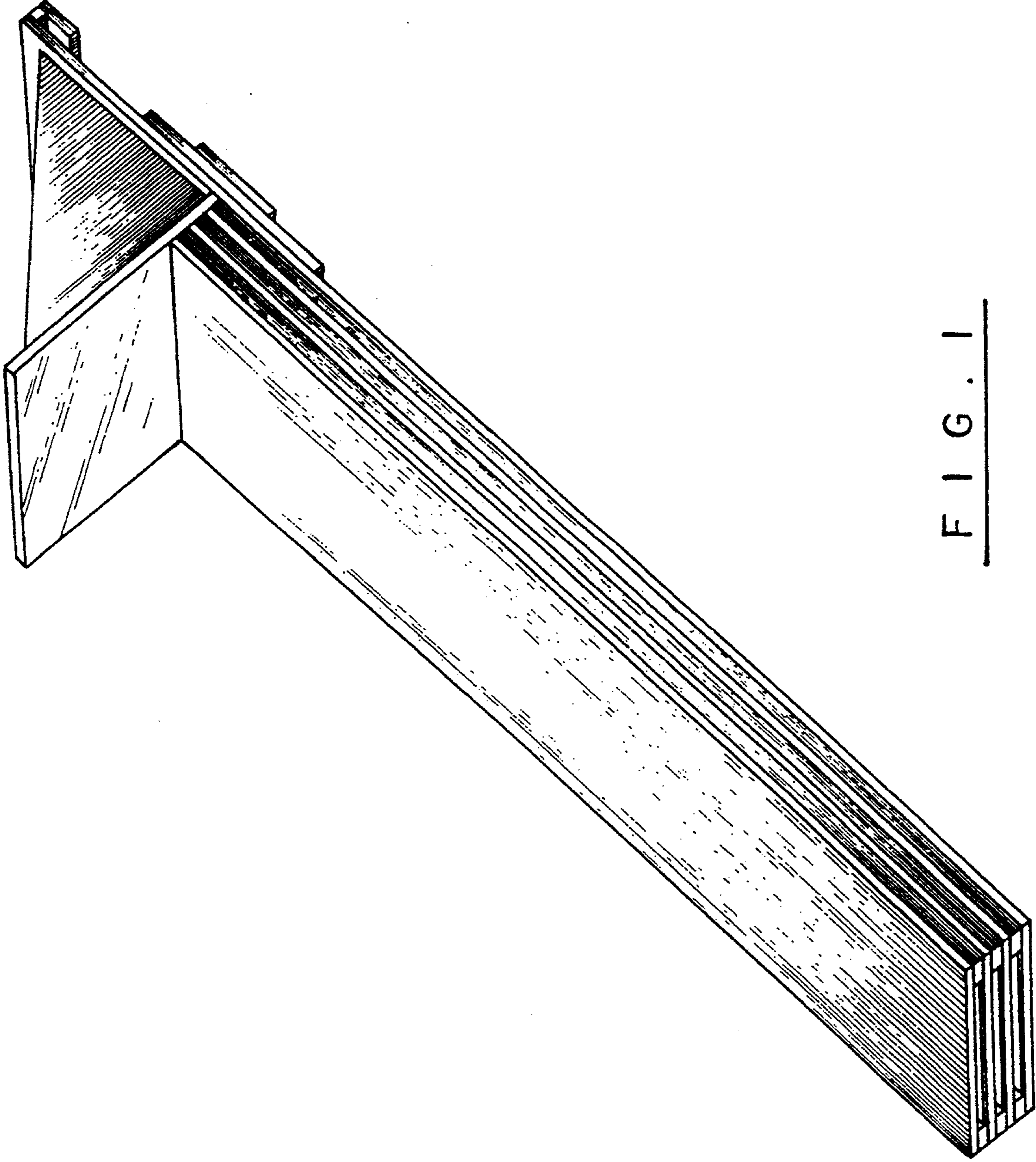


FIG. 1

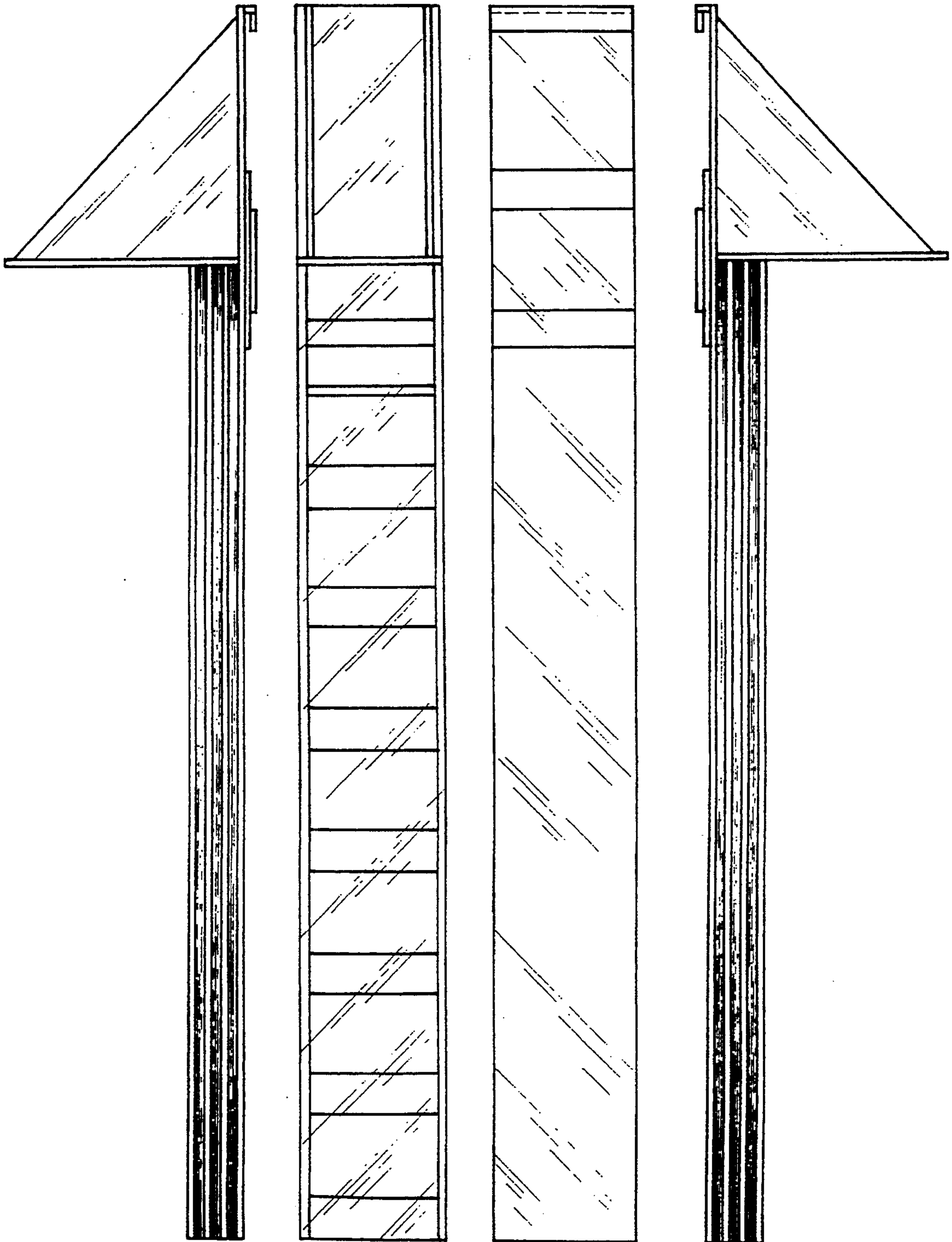


FIG. 2

FIG. 3

FIG. 4

FIG. 5

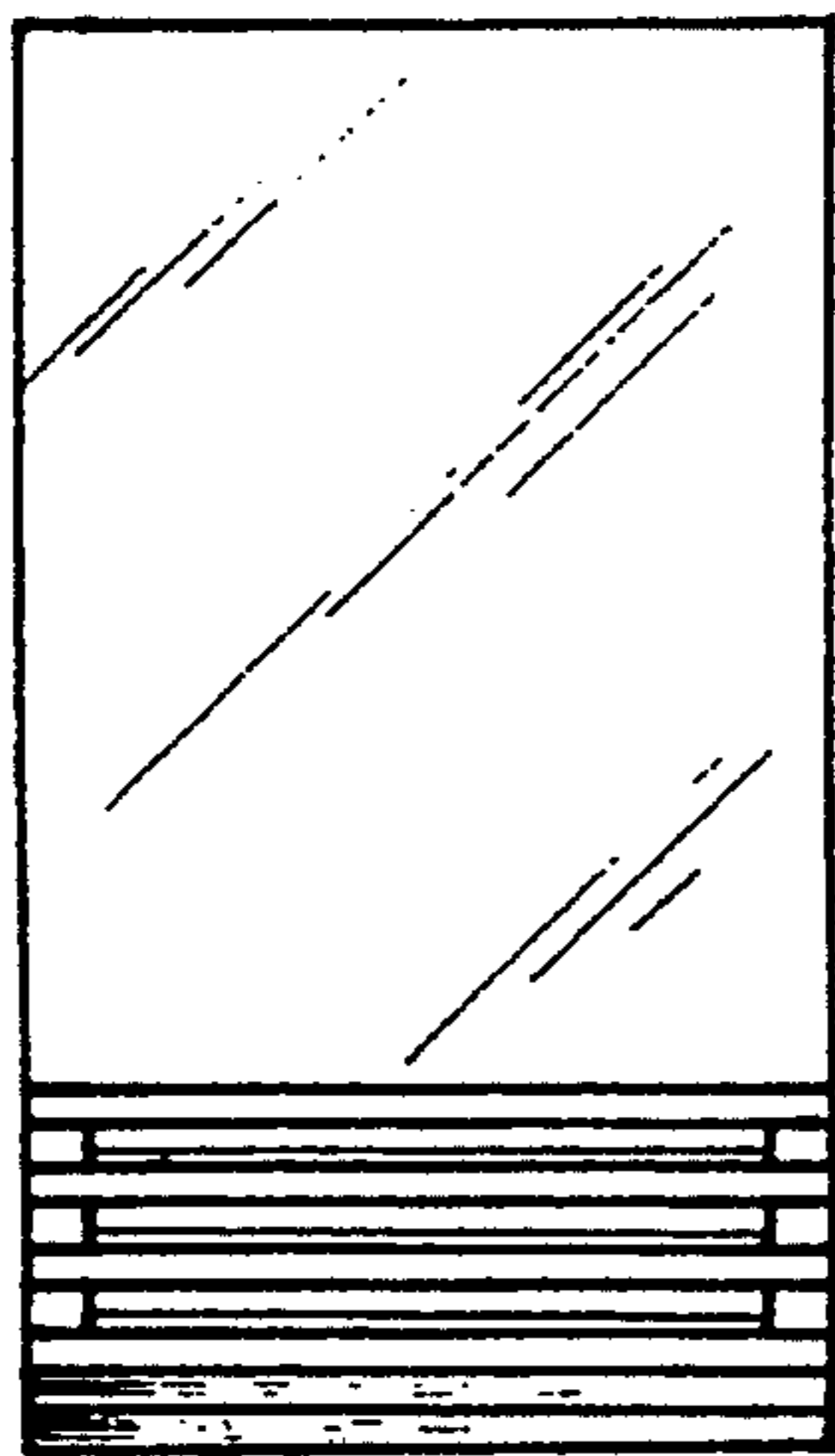


FIG. 6

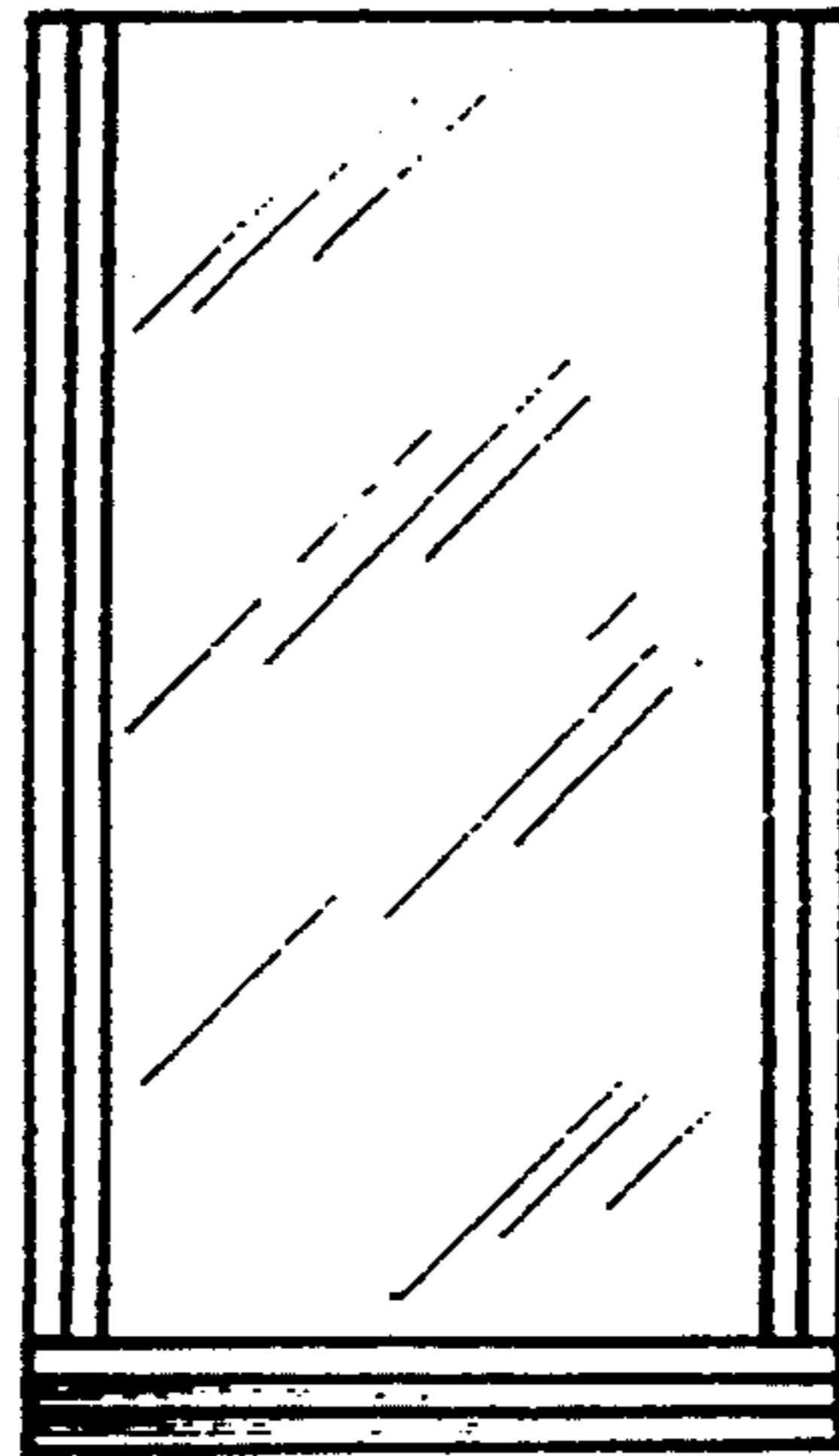


FIG. 7