



US00D354058S

United States Patent [19]

[11] Patent Number: **Des. 354,058**

Bohannon et al.

[45] Date of Patent: **** Jan. 3, 1995**

[54] **DUAL-DRIVER SPEAKER**

D. 264,841 6/1982 Pickrel D14/204
D. 275,852 10/1984 Brisson D14/204
D. 334,934 4/1993 Hsieh D14/204

[75] Inventors: **Jerry L. Bohannon; Richard G. Foster; Thomas H. Tichy**, all of Albuquerque, N. Mex.

OTHER PUBLICATIONS

Radio Shack, p. 42 "Super Power horn", top right.

[73] Assignee: **Motorola, Inc.**, Schaumburg, Ill.

Primary Examiner—Bernard Ansher

[**] Term: **14 Years**

Assistant Examiner—Sandra Morris

[21] Appl. No.: **932,043**

Attorney, Agent, or Firm—Gary J. Cunningham; Joseph P. Krause

[22] Filed: **Aug. 19, 1992**

[52] U.S. Cl. **D14/204**

[57] **CLAIM**

[58] Field of Search D14/204, 207-216,
D14/219-222; 181/144, 148, 150, 157, 199;
381/156

The ornamental design for a dual-driver speaker, as shown and described.

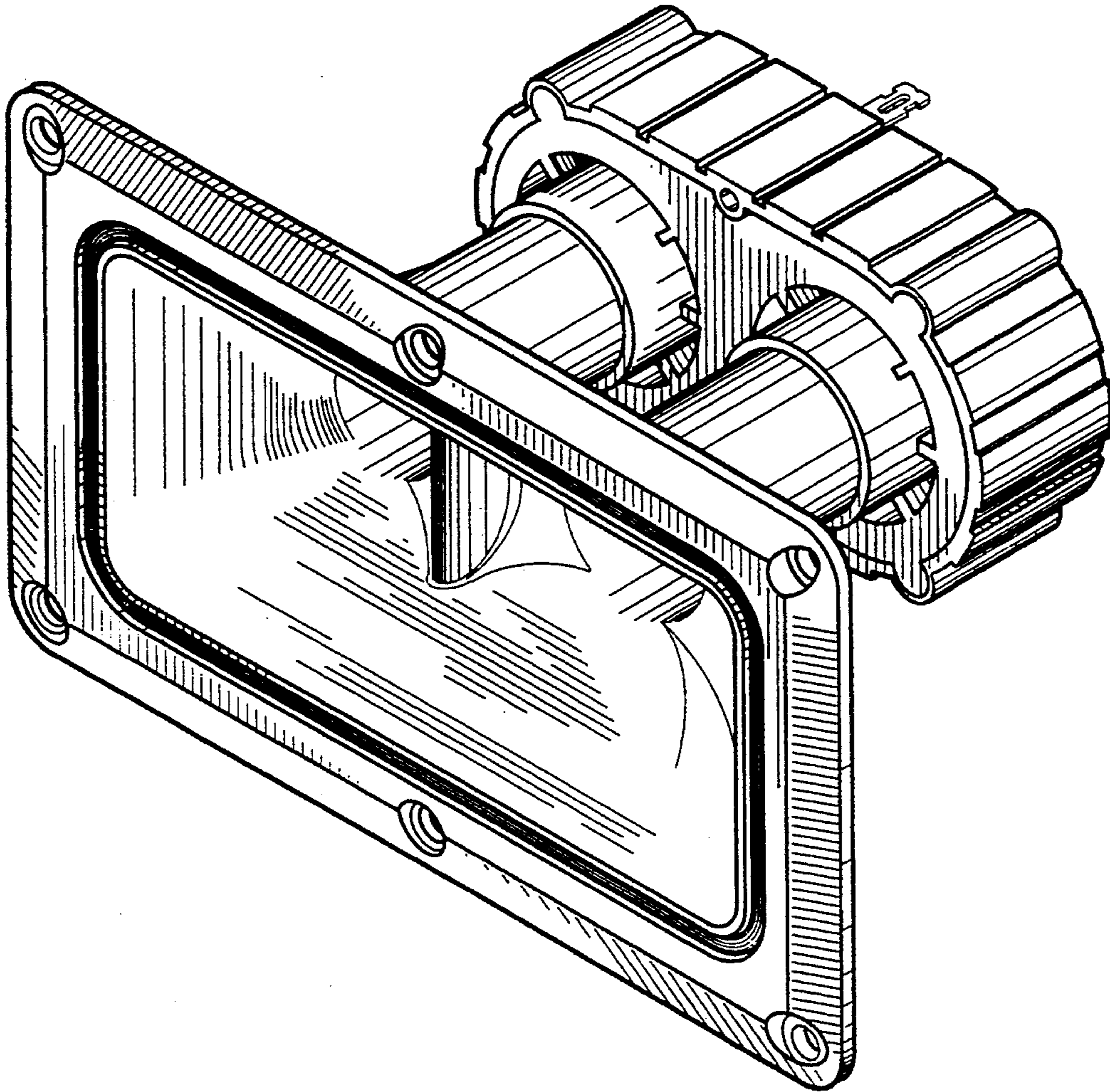
DESCRIPTION

[56] **References Cited**

U.S. PATENT DOCUMENTS

D. 169,904 6/1953 Hoodwin D14/204
D. 182,351 3/1958 Avedon D14/204
D. 205,663 9/1966 Seebinger D14/204
D. 241,553 9/1976 Renkus D14/204
D. 249,941 10/1978 Bremseth D14/204

FIG. 1 is a front, top and right side perspective view of a dual-driver speaker, showing our new design; FIG. 2 is a rear elevational view thereof; FIG. 3 is a left side elevational view thereof; FIG. 4 is a top cut-away view thereof; FIG. 5 is a top elevational view thereof; and, FIG. 6 is a front elevational view thereof.



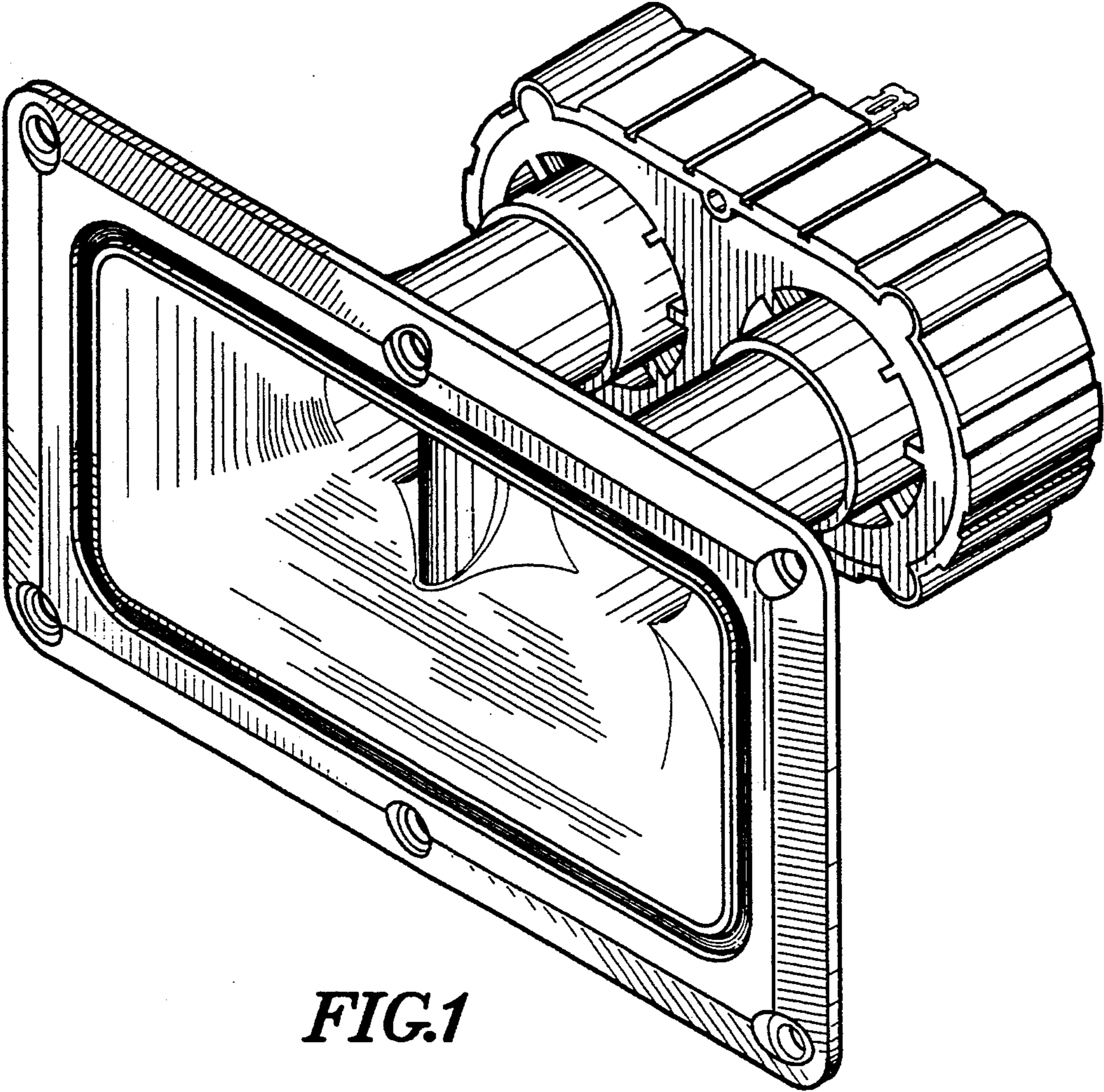


FIG.1

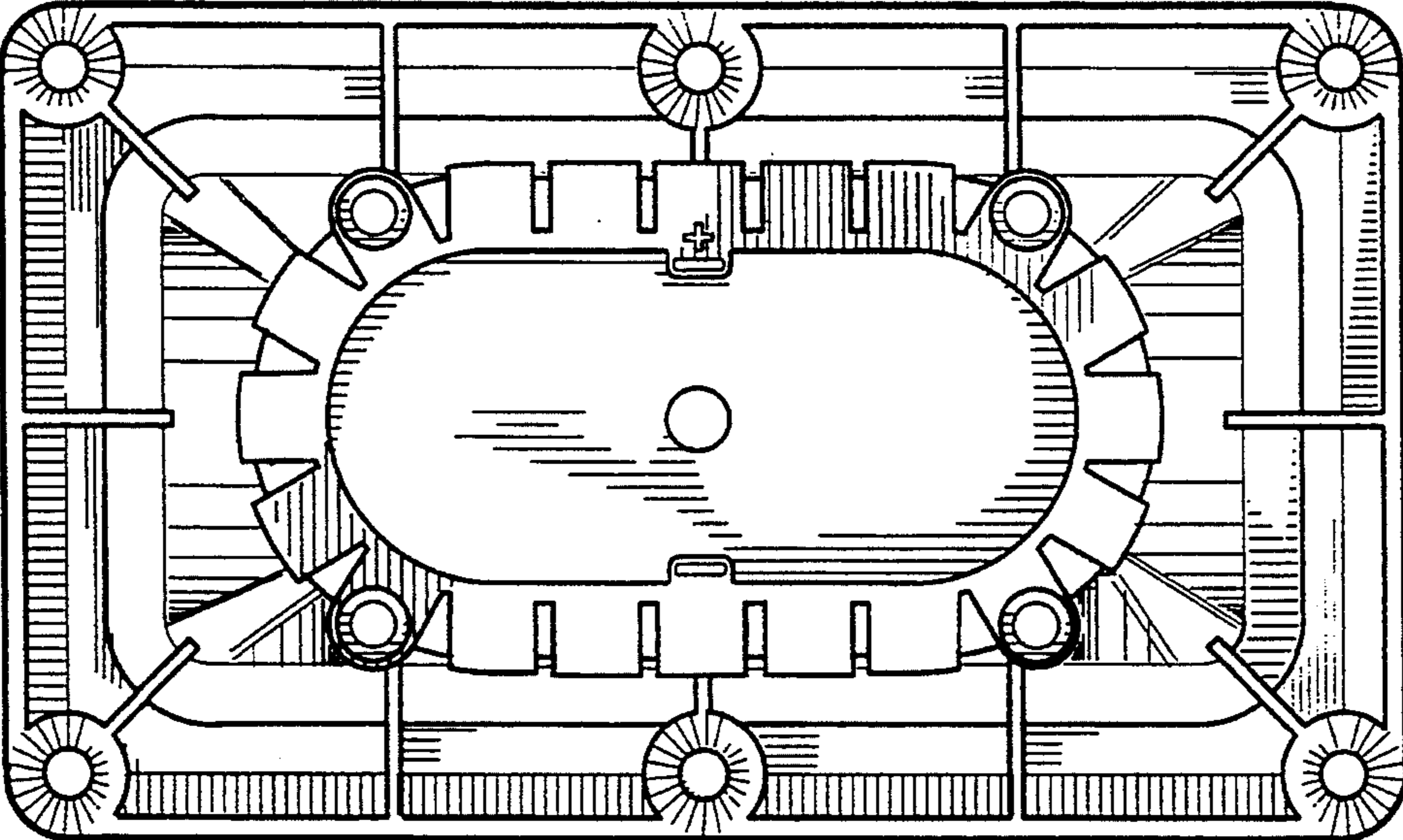


FIG.2

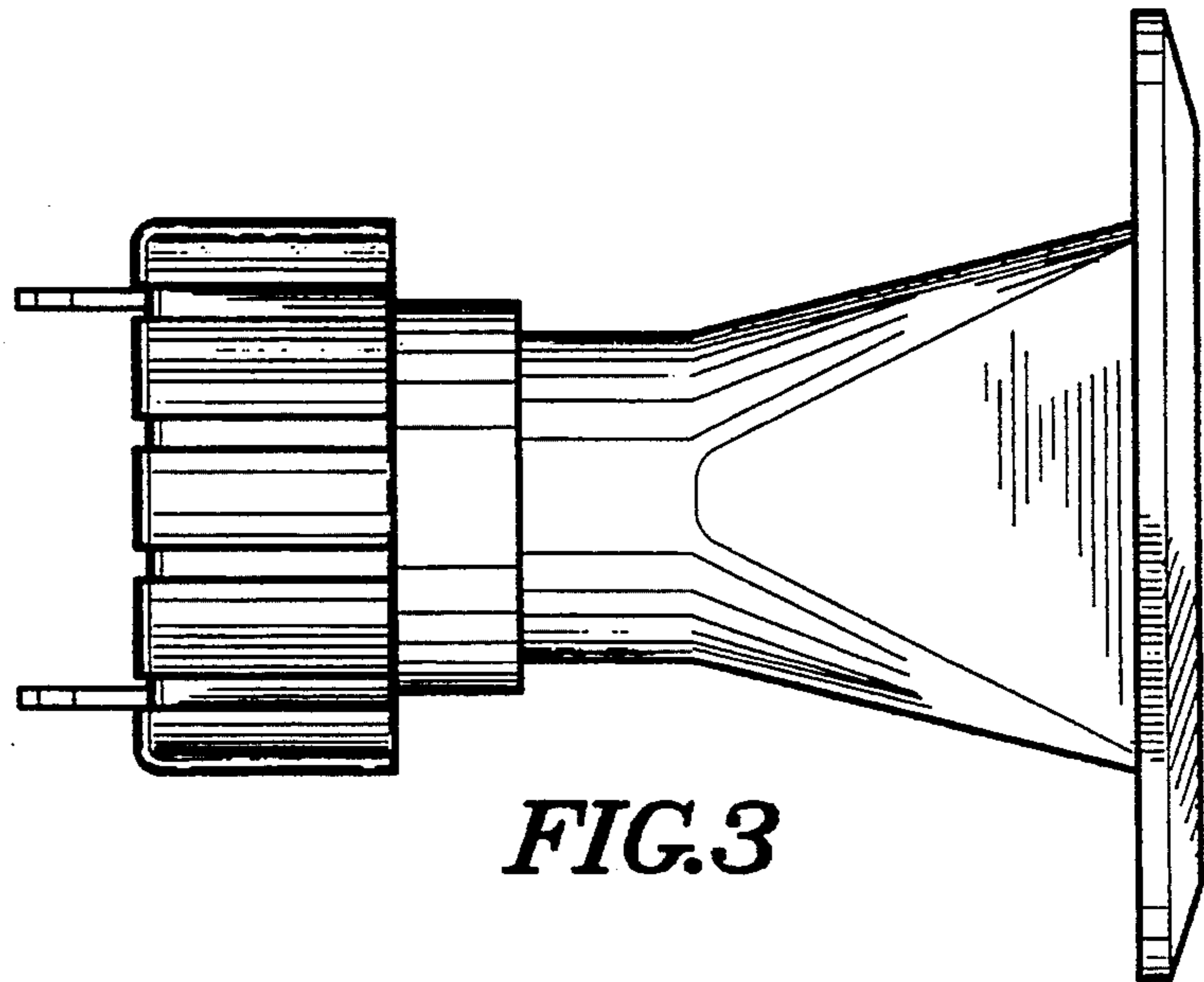


FIG. 3

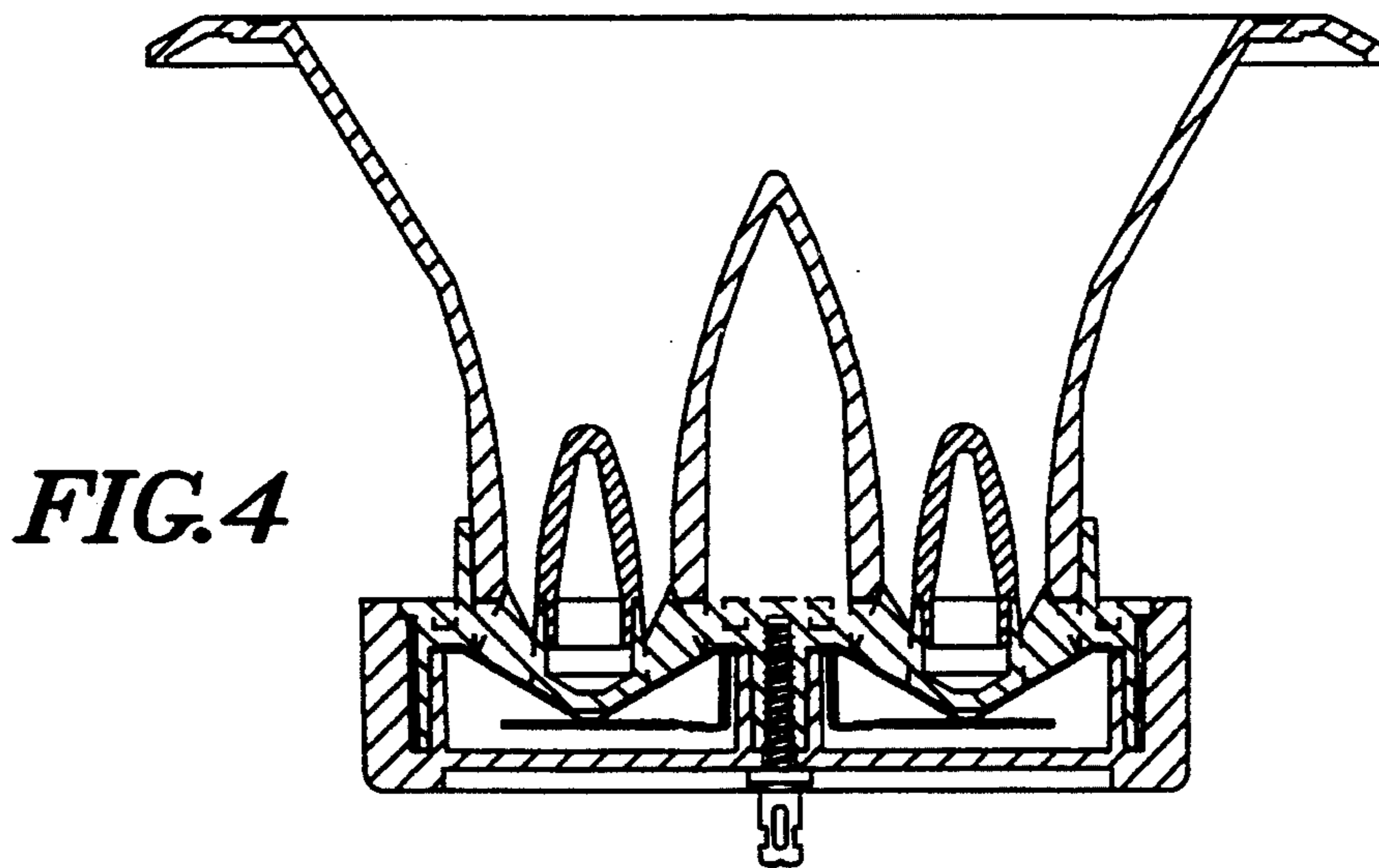


FIG. 4

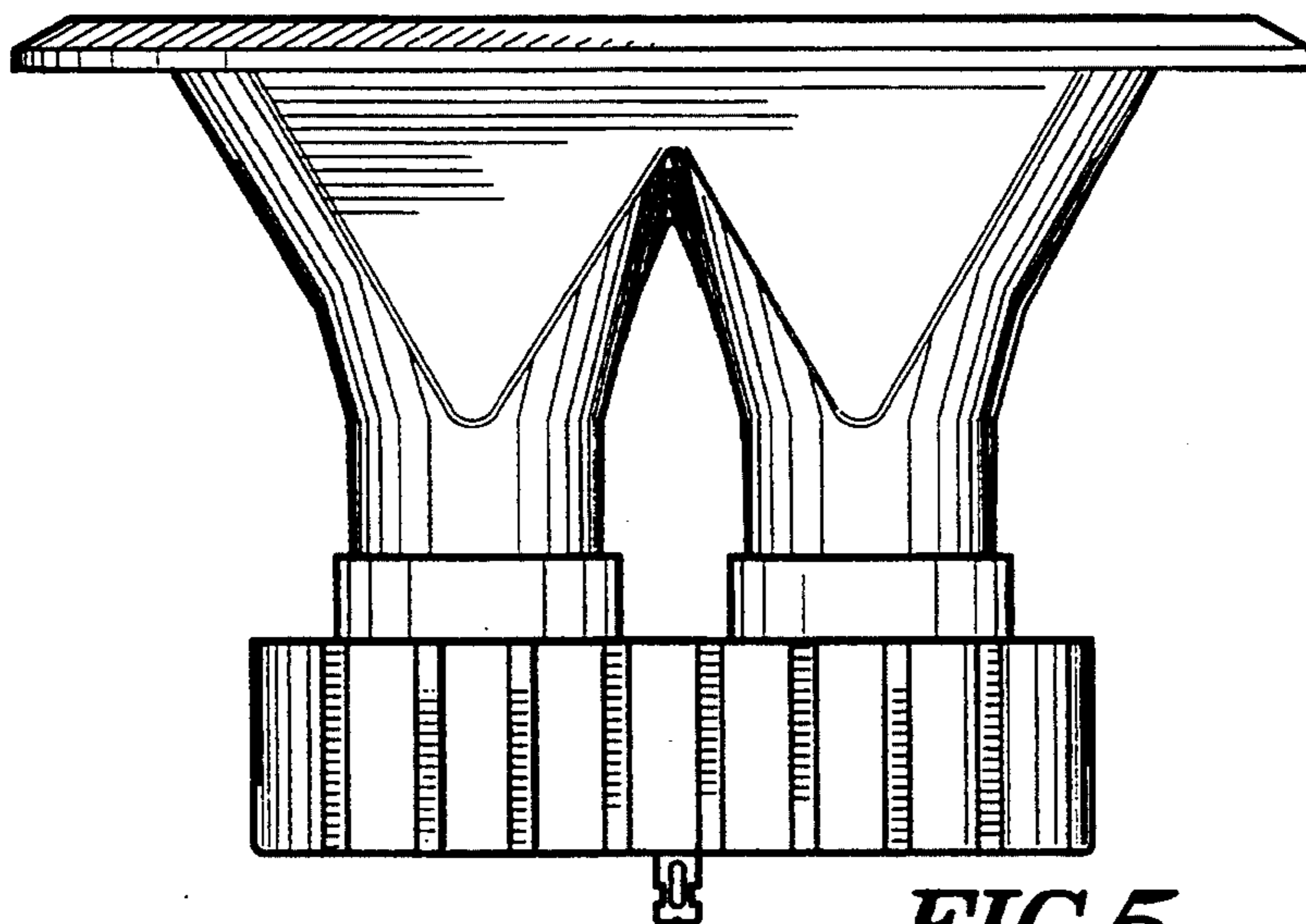


FIG. 5

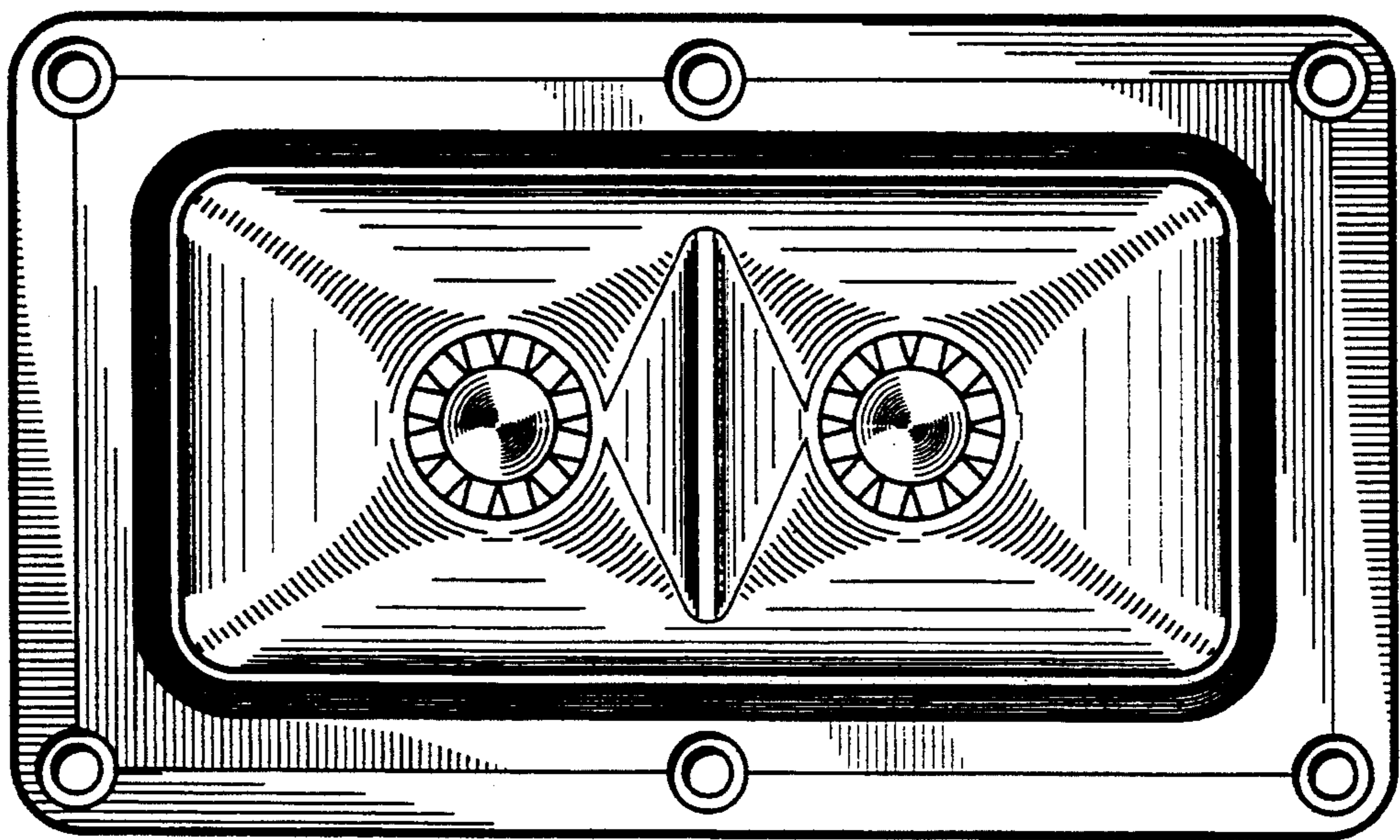


FIG.6