



US00D354052S

United States Patent [19]

[11] Patent Number: **Des. 354,052**

Imai

[45] Date of Patent: **** Jan. 3, 1995**

[54] VIDEO DISPLAY

[56] References Cited

[75] Inventor: **Toshitaka Imai**, Sagamihara, Japan

U.S. PATENT DOCUMENTS

- D. 303,661 9/1989 Manabe et al. D14/113
- D. 317,912 7/1991 Takai D14/113
- D. 348,657 7/1994 Matsuda D14/113

[73] Assignee: **International Business Machines Corp.**, Armonk, N.Y.

Primary Examiner—Freda S. Nunn
Attorney, Agent, or Firm—Martin J. McKinley

[**] Term: **14 Years**

[57] CLAIM

[21] Appl. No.: **10,070**

The ornamental design for a video display, as shown and described.

[22] Filed: **Jun. 25, 1993**

DESCRIPTION

[30] Foreign Application Priority Data

Dec. 25, 1992 [JP] Japan 4-37998

[52] U.S. Cl. **D14/113; D14/126**

[58] Field of Search D14/100, 101, 106, 113,
D14/124-127; 345/104, 133, 156, 168, 173,
901-905; 358/249, 254, 255

FIG. 1 is a right front and top perspective view of the video display;
 FIG. 2 is a front elevational view thereof;
 FIG. 3 is a rear elevational view thereof;
 FIG. 4 is a top plan view thereof;
 FIG. 5 is a bottom plan view thereof;
 FIG. 6 is a left side elevational view thereof; and,
 FIG. 7 is a right side elevational view thereof.

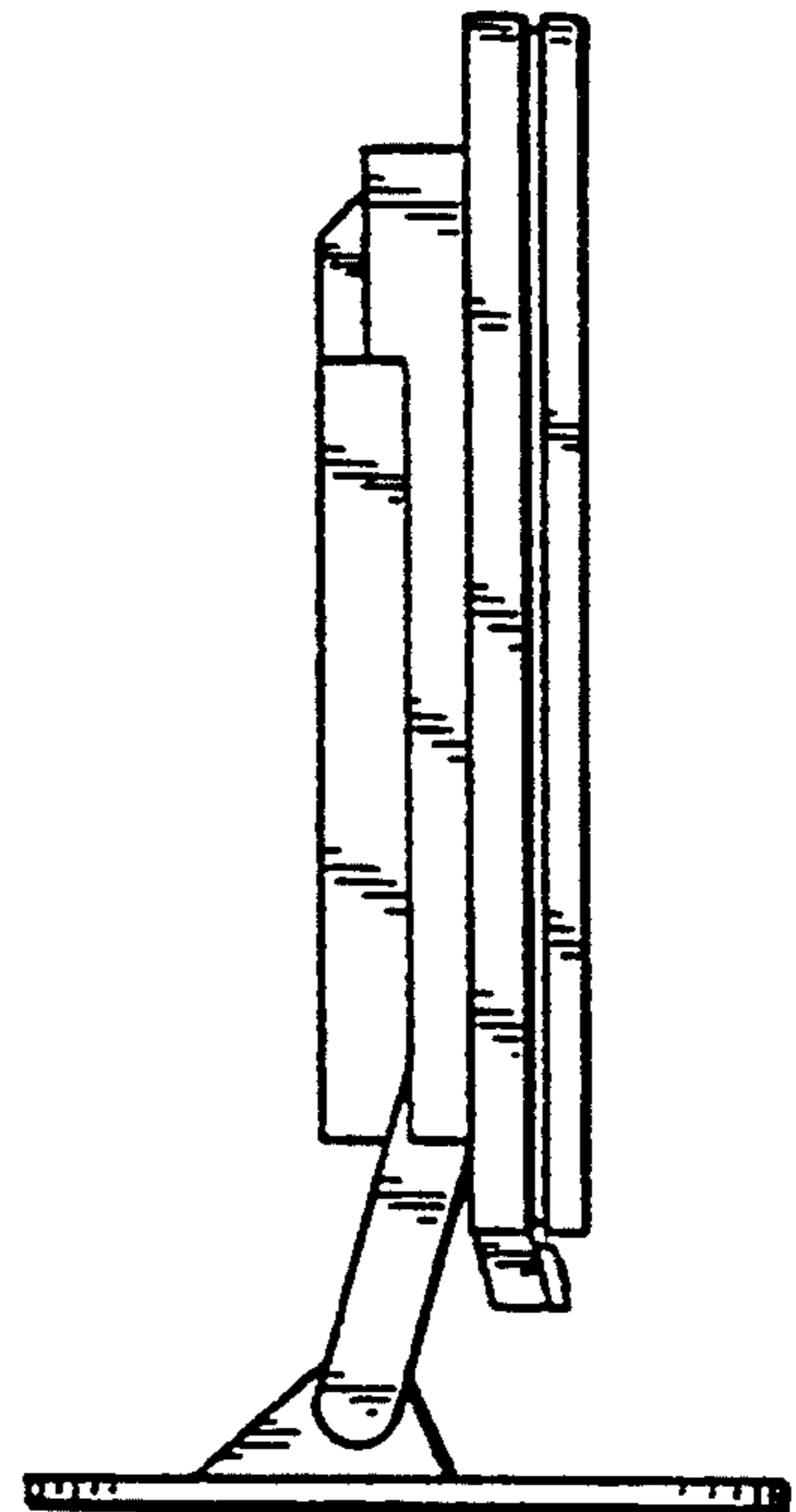
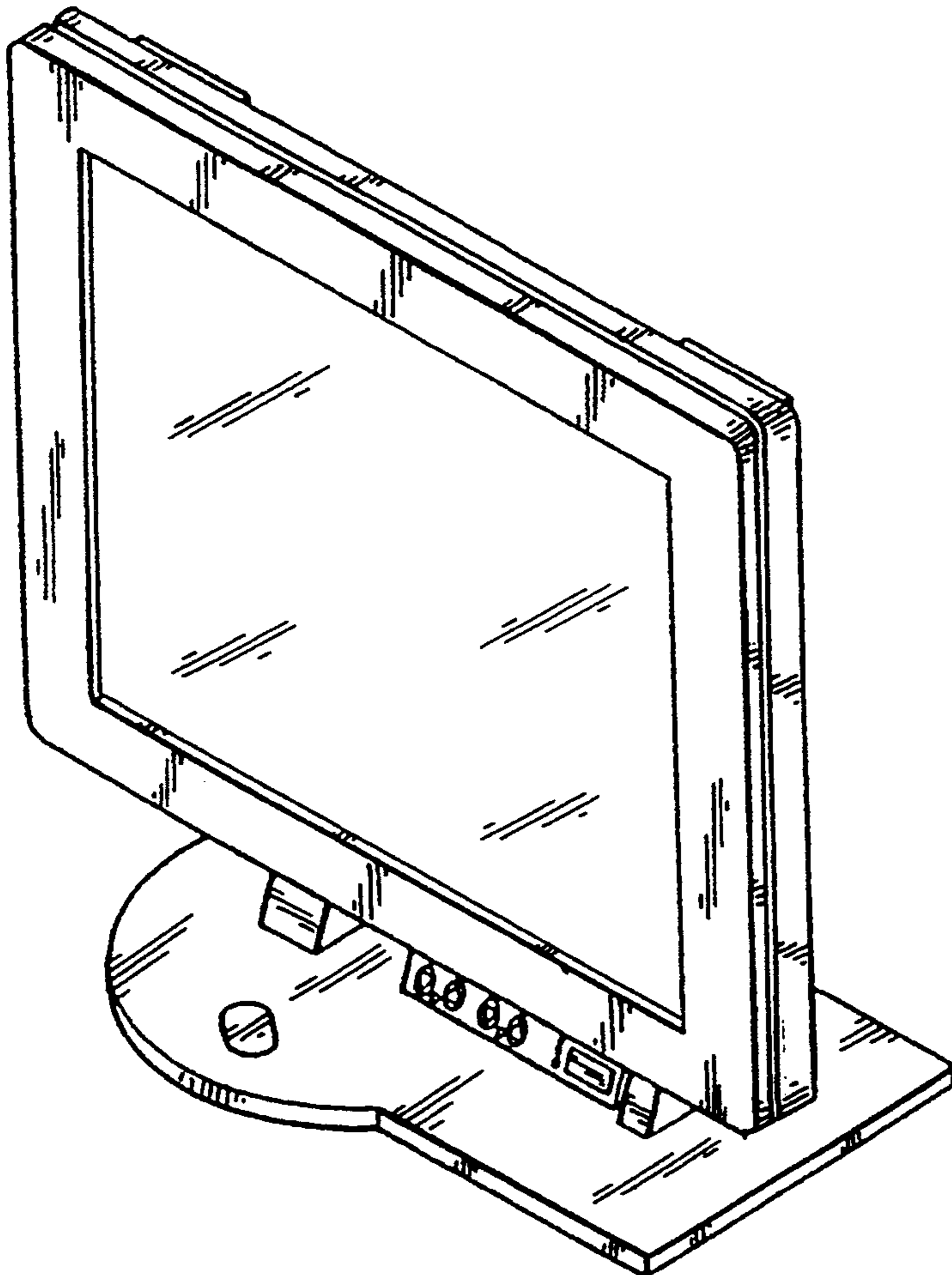


FIG. 1

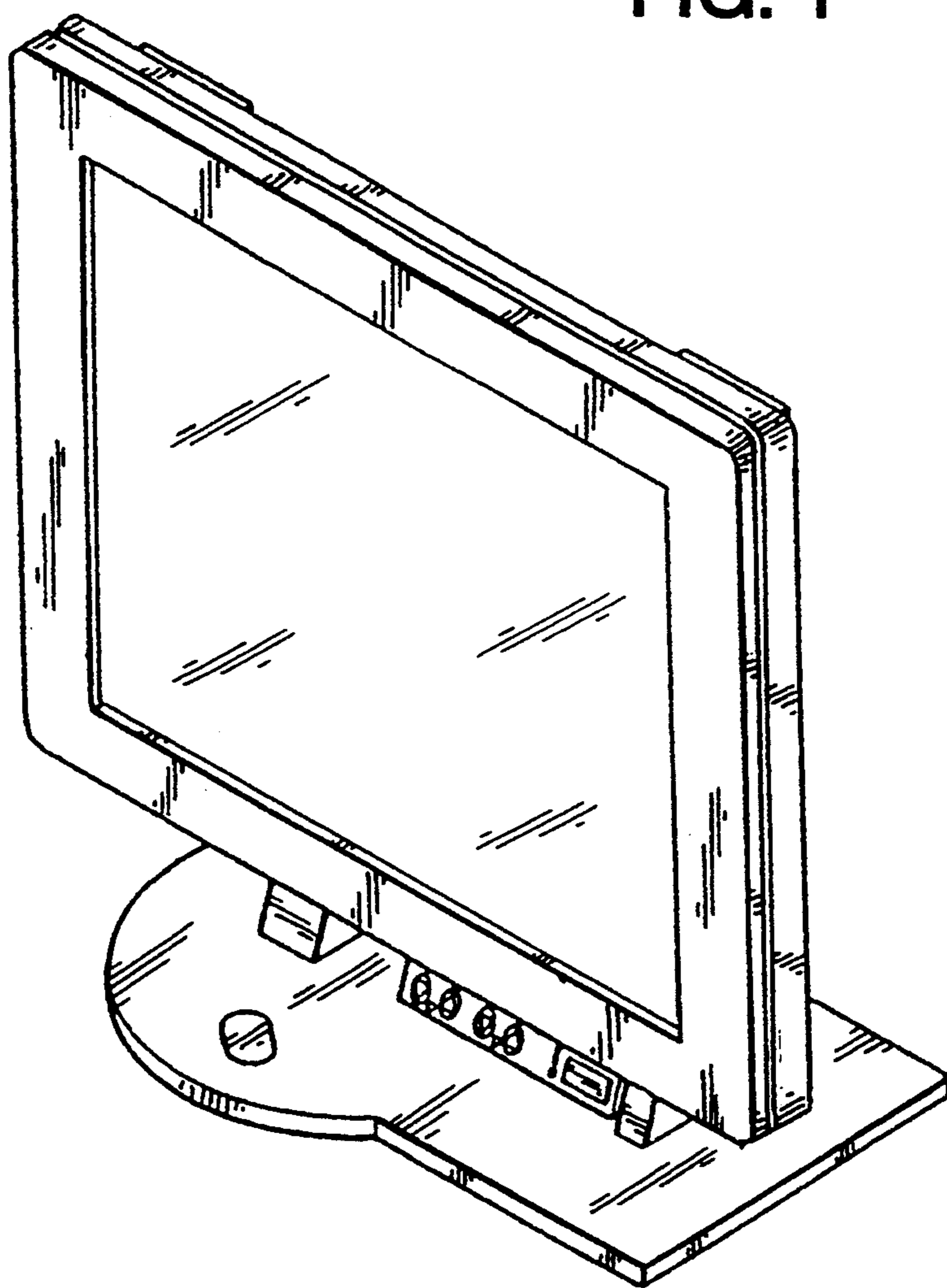


FIG. 2

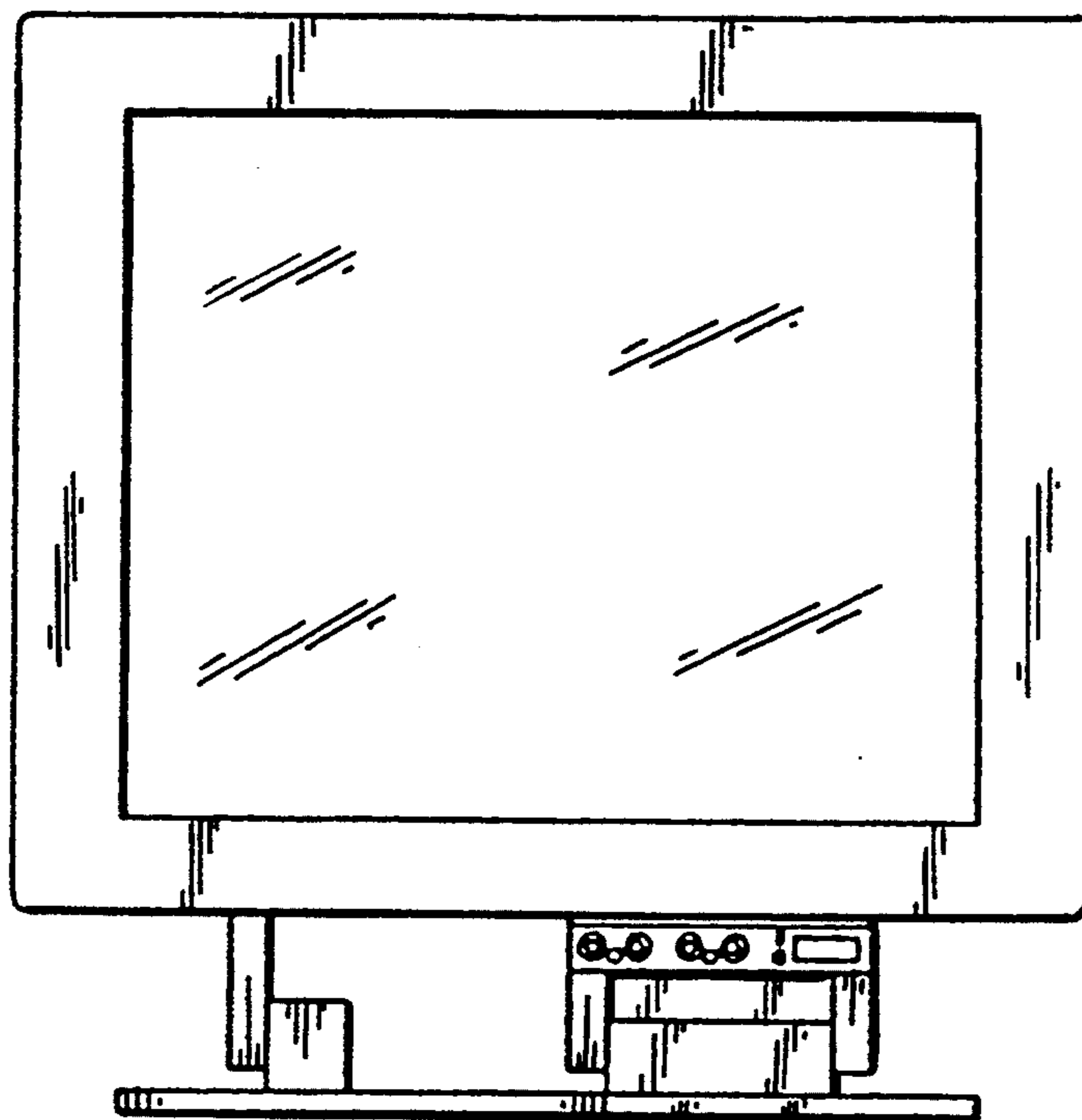


FIG. 3

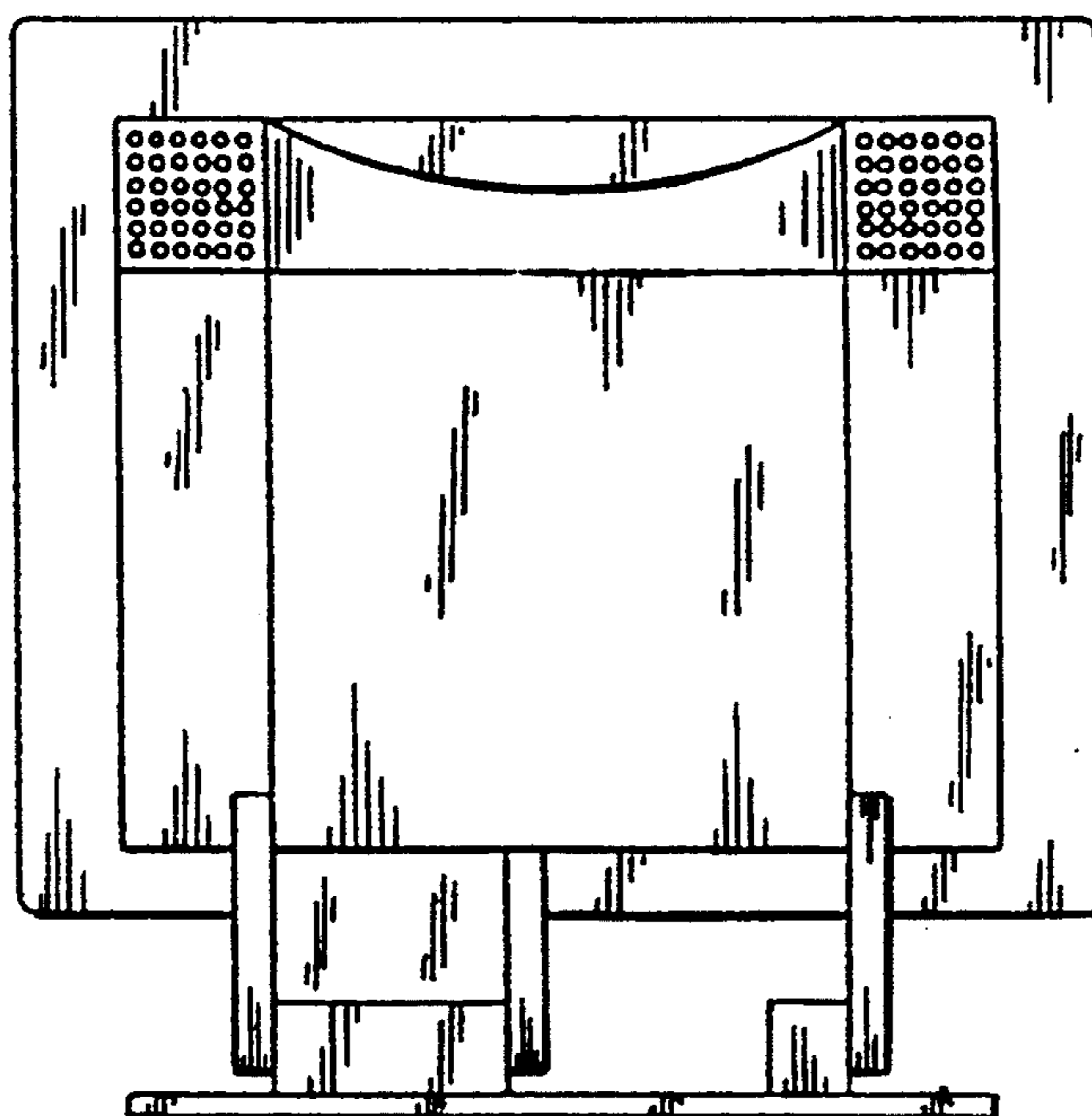


FIG. 4

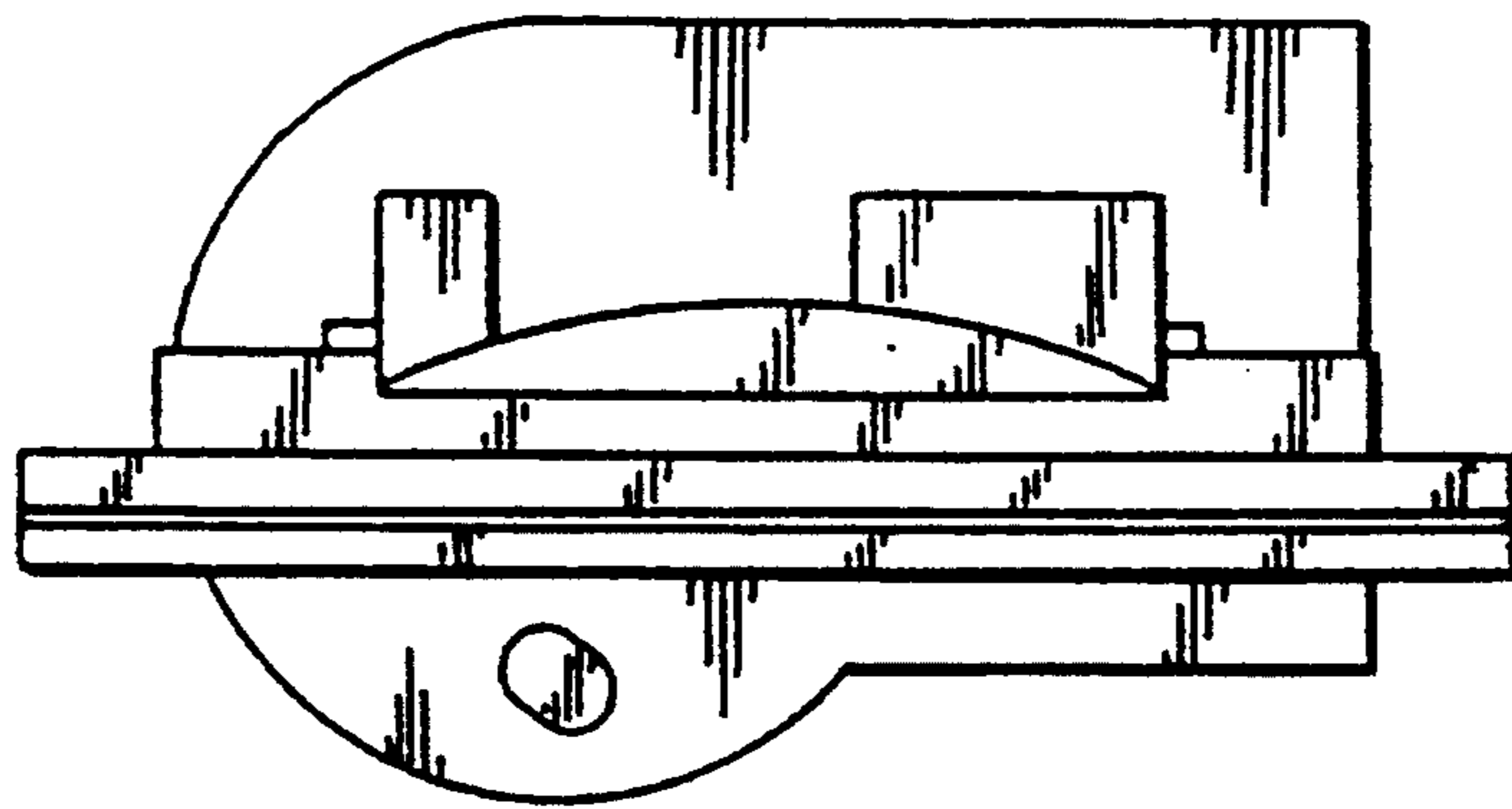
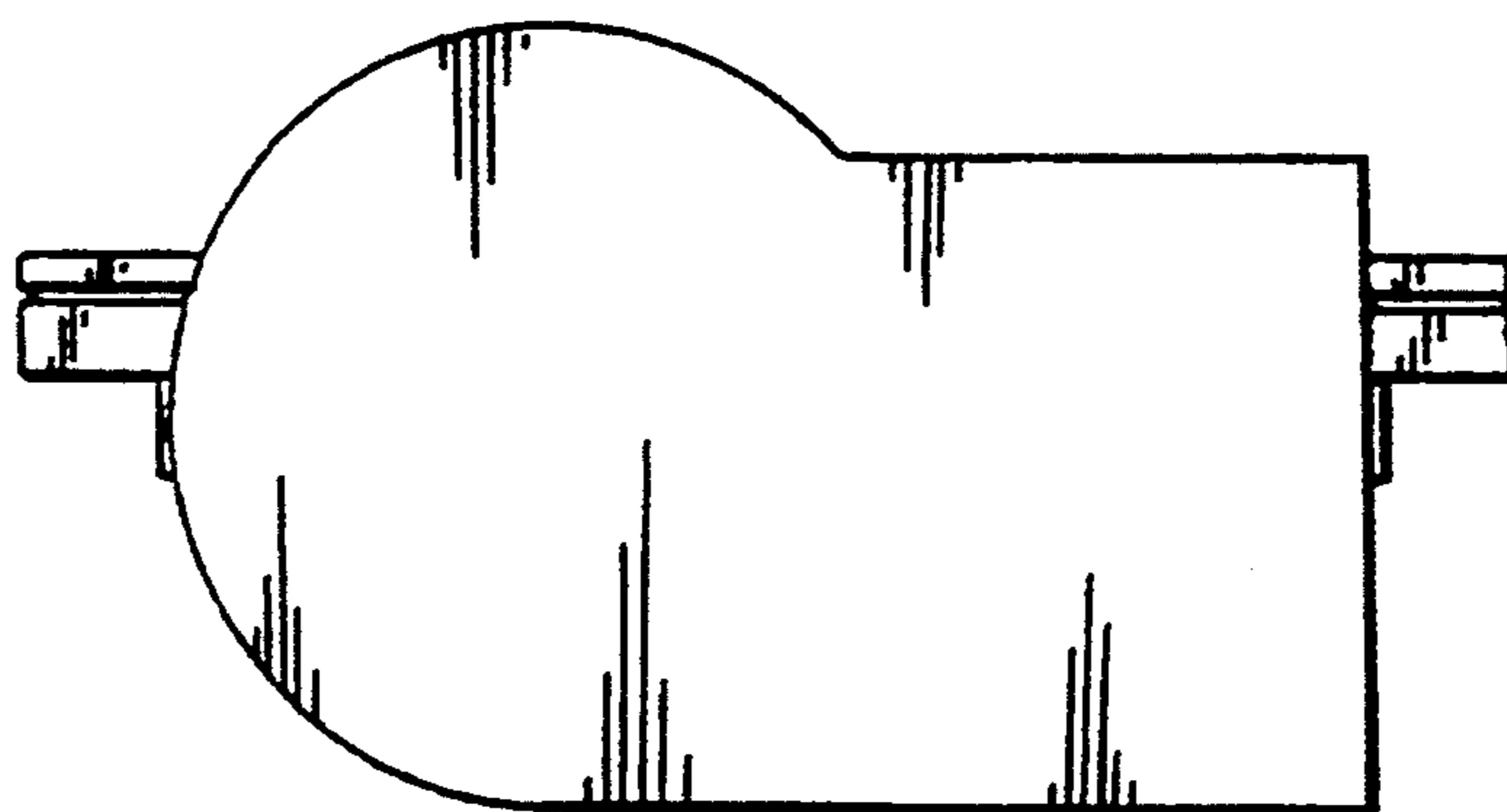


FIG. 5



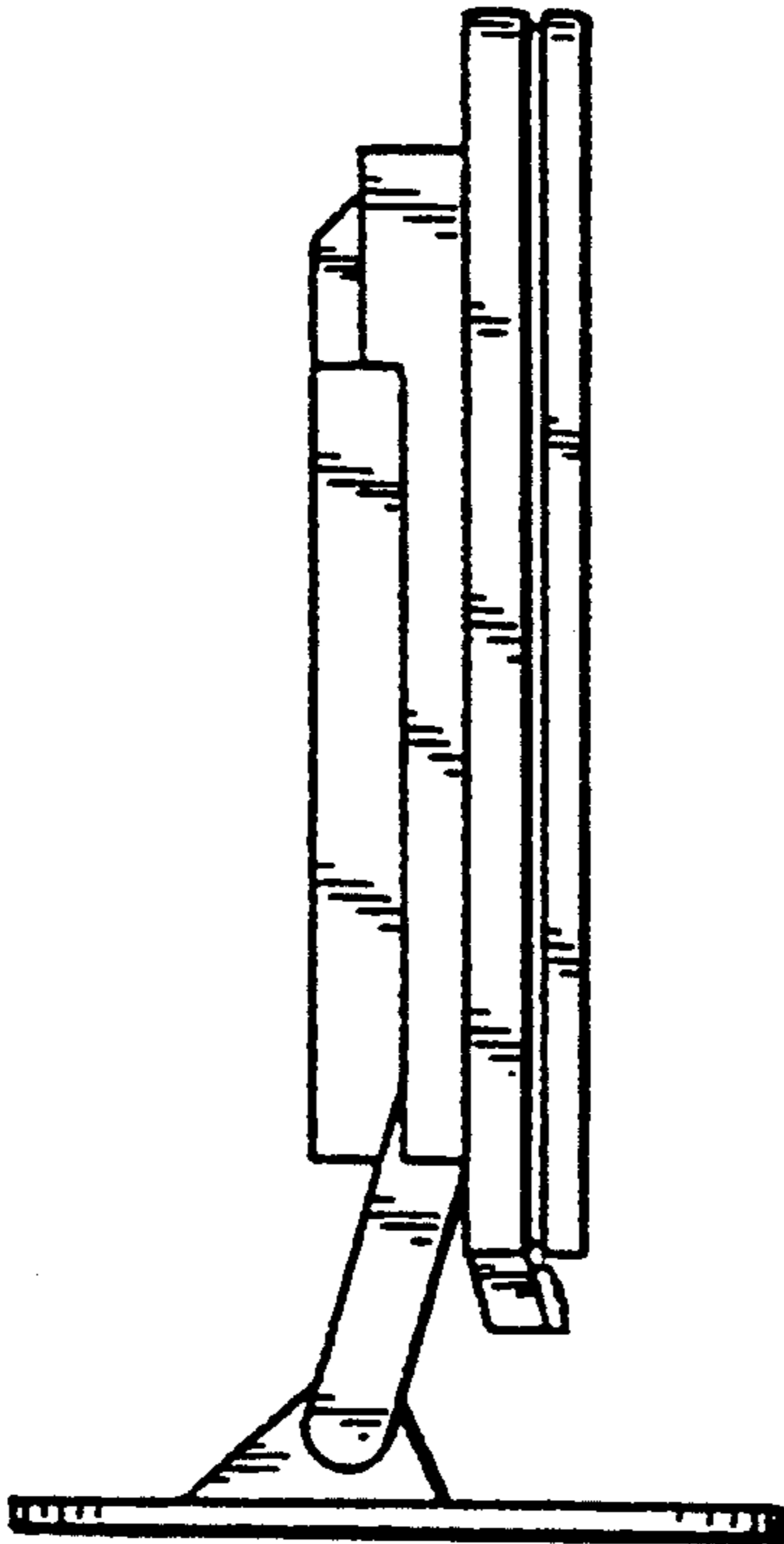


FIG. 6

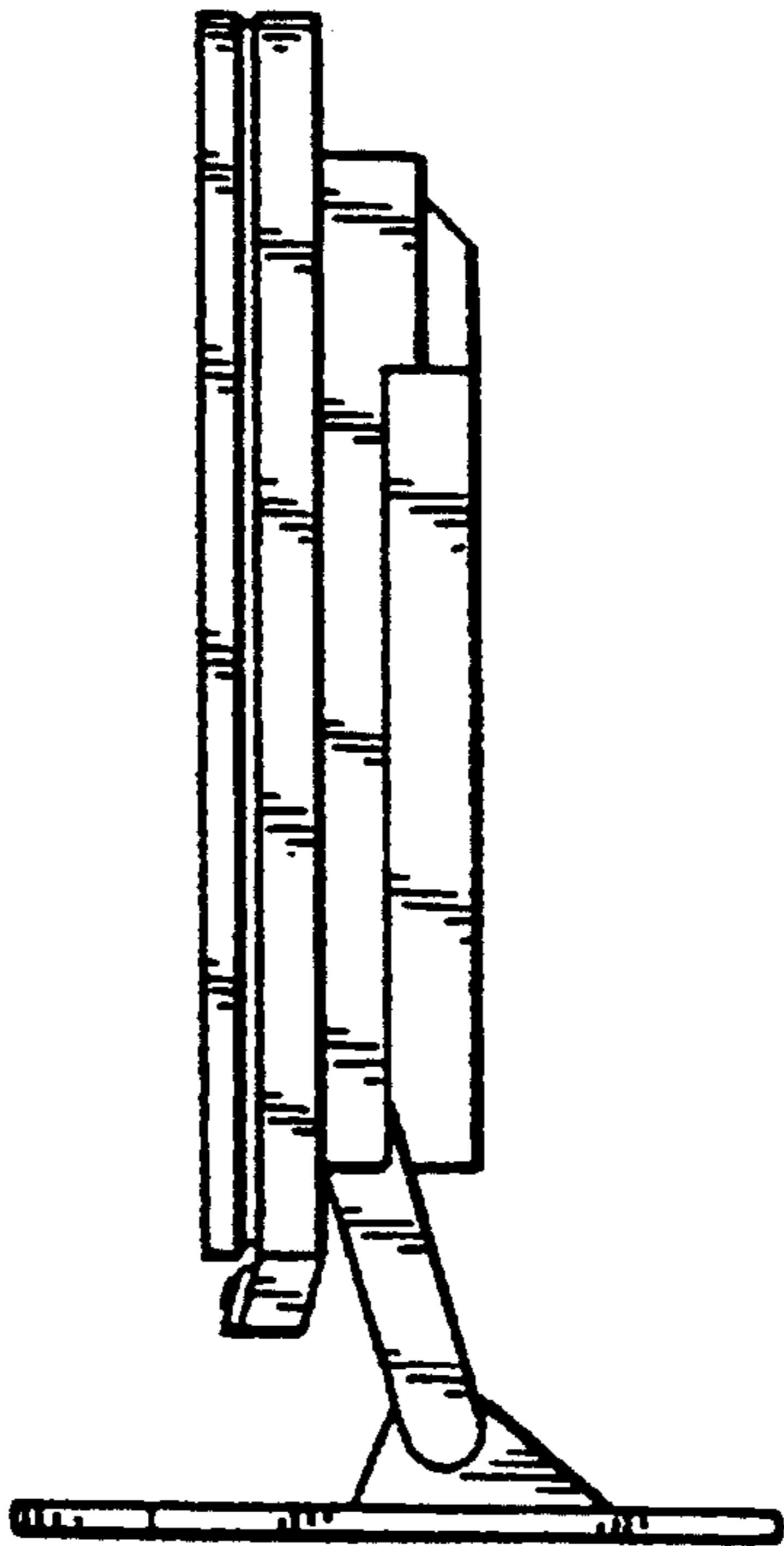


FIG. 7