



US00D354050S

United States Patent [19]

[11] Patent Number: **Des. 354,050**

Hasegawa

[45] Date of Patent: **** Jan. 3, 1995**

[54] **IMAGE SCANNER**

FOREIGN PATENT DOCUMENTS

[75] Inventor: **Fumio Hasegawa, Nagoya, Japan**

854957 9/1990 Japan .

[73] Assignee: **Elmo Company Ltd., Japan**

OTHER PUBLICATIONS

[**] Term: **14 Years**

Leaflet, entitled "ELMO Visual Presenter EV-368", printed May 31, 1991.

[21] Appl. No.: **953,147**

Primary Examiner—Melvin B. Feifer
Assistant Examiner—Adir Aronovich
Attorney, Agent, or Firm—Ostrolenk, Faber, Gerb & Soffen

[22] Filed: **Sep. 29, 1992**

[57] CLAIM

[30] Foreign Application Priority Data

The ornamental design for an image scanner, as shown.

Apr. 3, 1992 [JP] Japan 4-9972

DESCRIPTION

[52] U.S. Cl. **D14/107; D16/232**

[58] Field of Search D16/200, 201, 202, 221,
D16/222-225, 232; D14/107; 358/228, 229,
254

FIG. 1 is a top plan view of the image scanner embodying my new design;
FIG. 2 is a front view thereof;
FIG. 3 is a right side view thereof;
FIG. 4 is a rear view thereof;
FIG. 5 is a left side view thereof;
FIG. 6 is a bottom side view thereof;
FIG. 7 is a cross sectional view along a line 7-7 of FIG. 3 omitting the inner organization;
FIG. 8 is a perspective view with each part be folded;
FIG. 9 is a perspective view as seen from the top and front of FIG. 1; and,
FIG. 10 is a perspective view as seen from the rear and bottom of FIG. 1.

[56] References Cited

U.S. PATENT DOCUMENTS

D. 304,934	12/1989	Koshino	D14/107
D. 317,616	6/1991	Shiiba	D16/232
D. 323,819	2/1992	Iimura	D14/107
D. 327,905	7/1992	Kamijima et al.	D16/223
D. 330,040	10/1992	Watanabe et al.	D16/232
4,825,295	4/1989	Ishikawa et al.	358/254
5,027,219	6/1991	Stuttler et al.	358/228

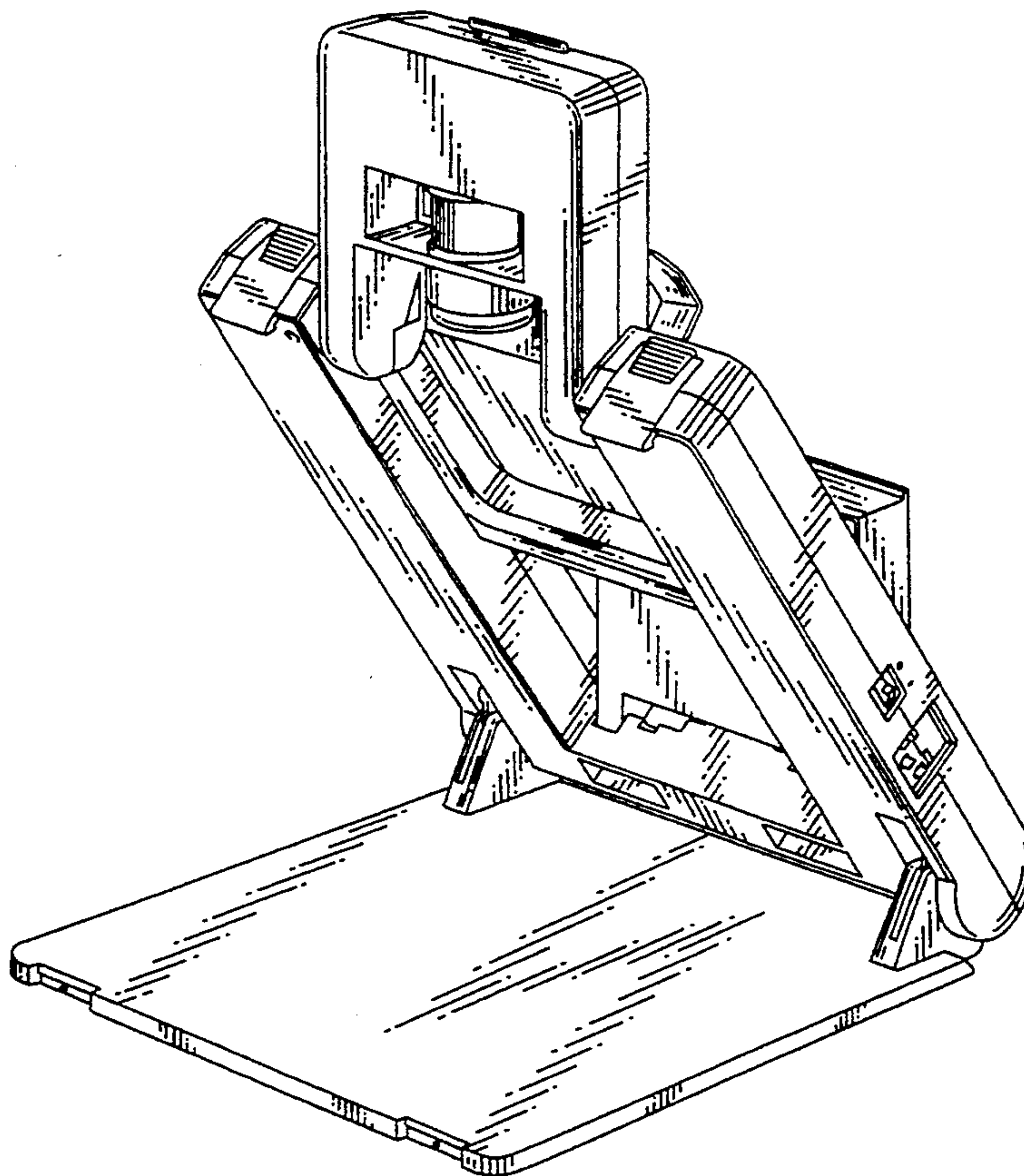


Fig. 1

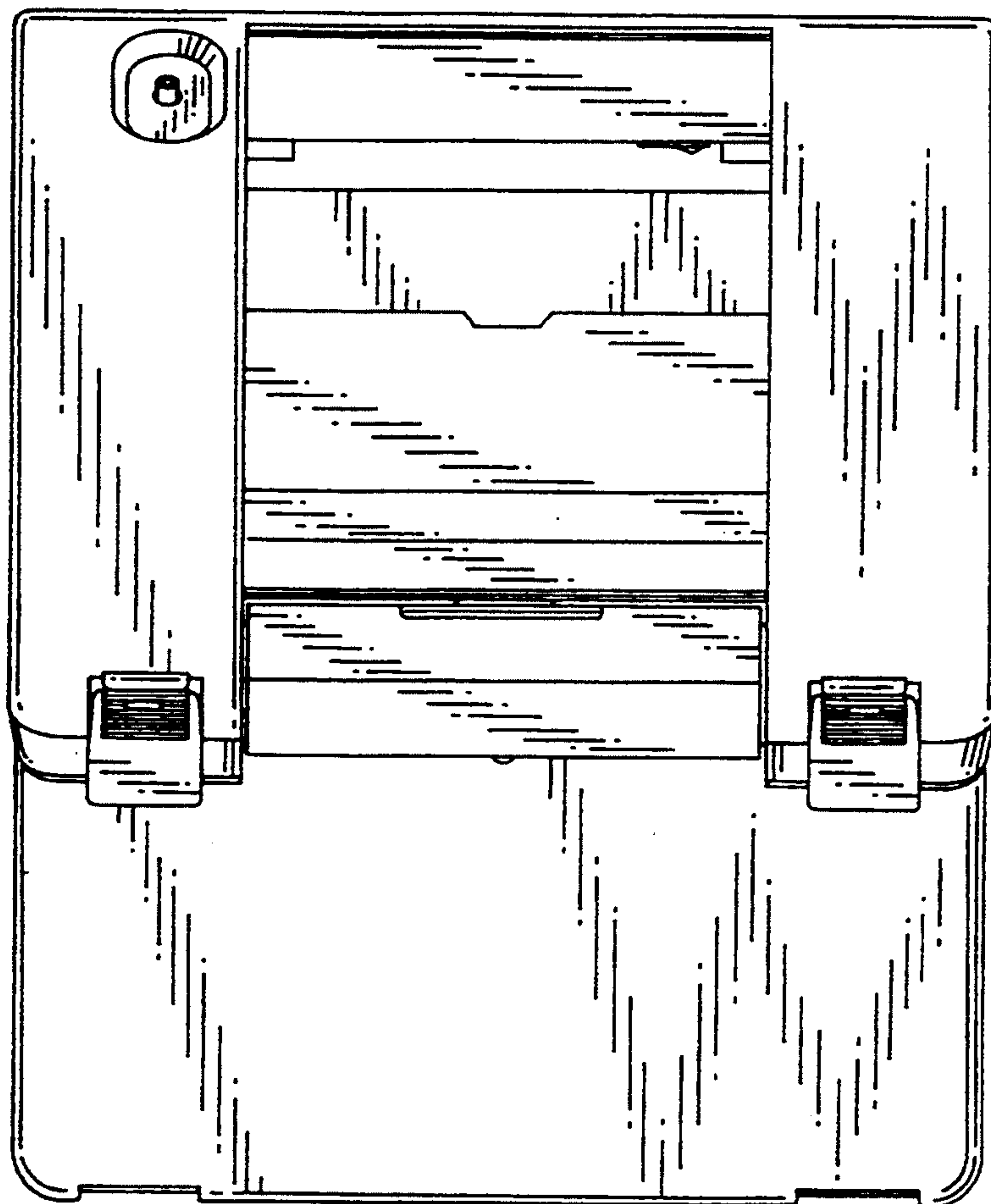


Fig. 2

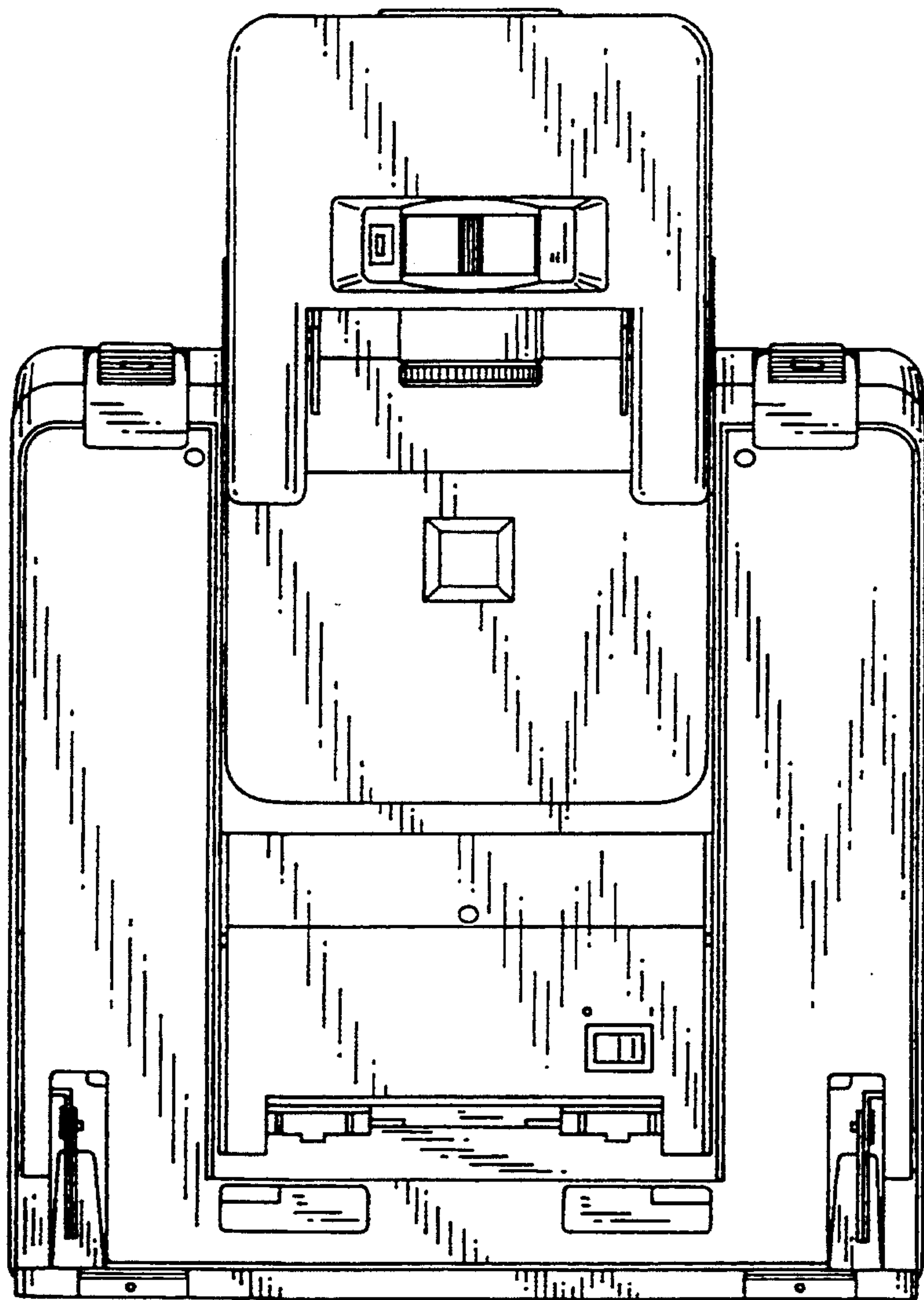


Fig. 3

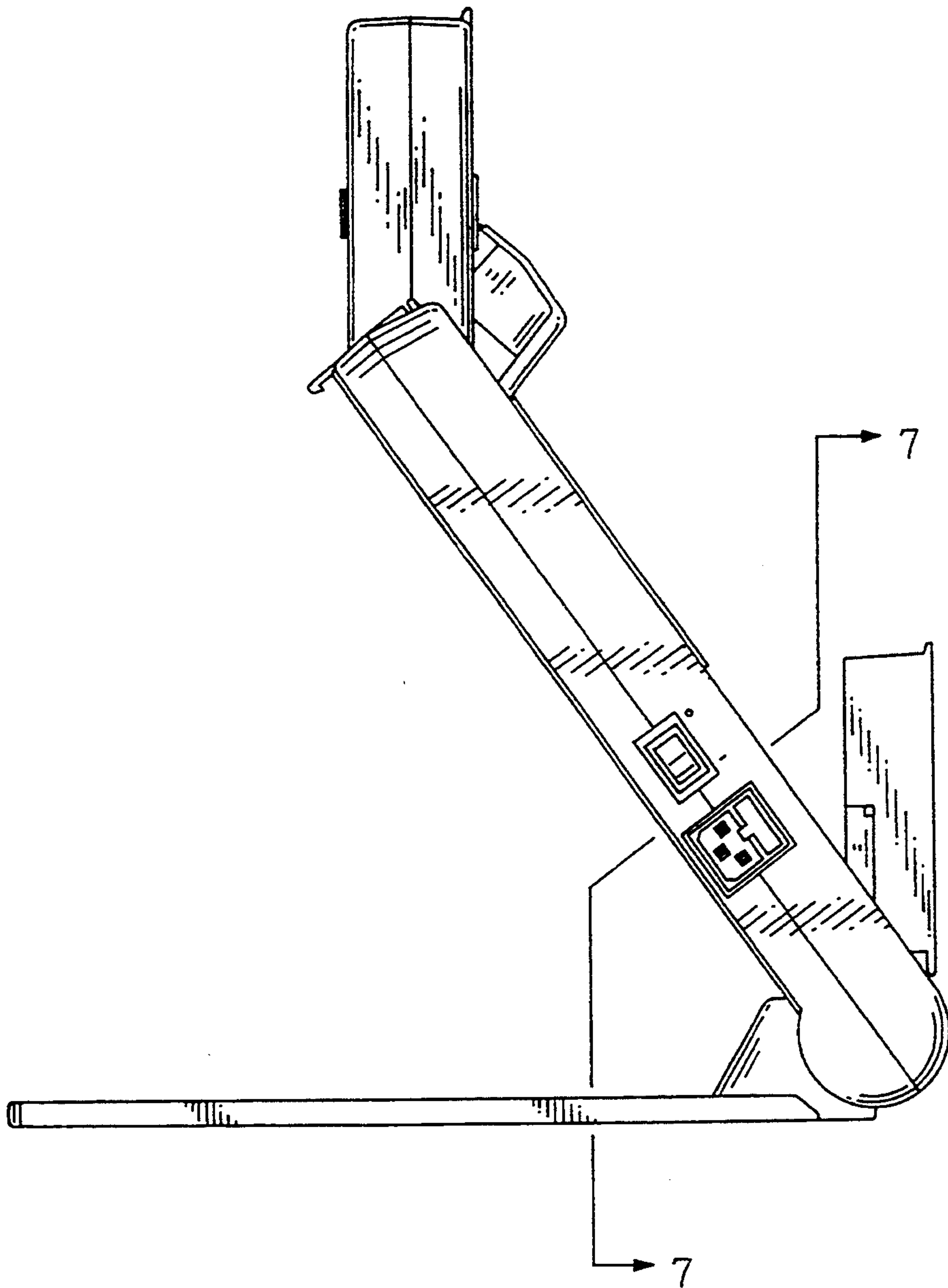


Fig. 4

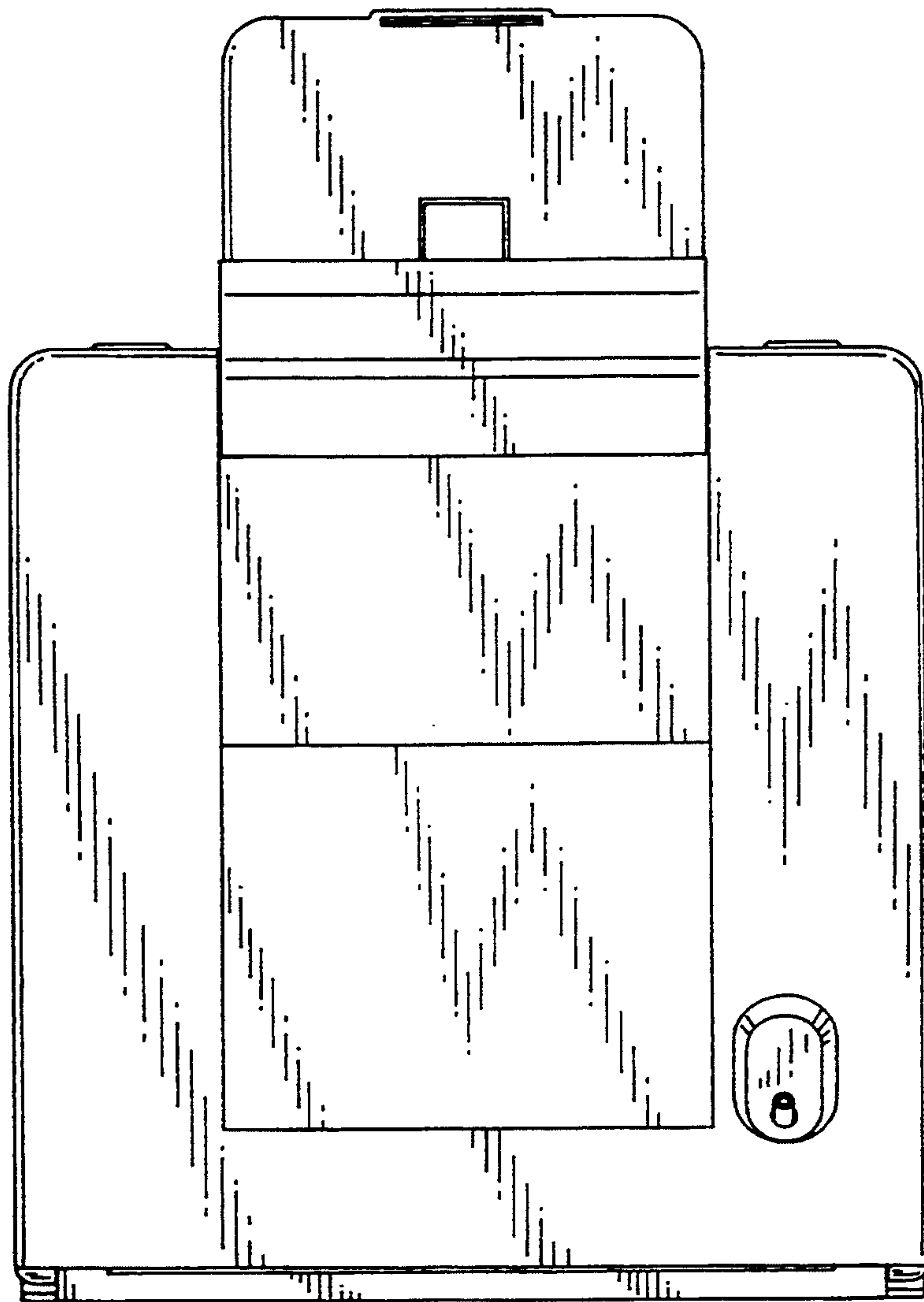


Fig. 5

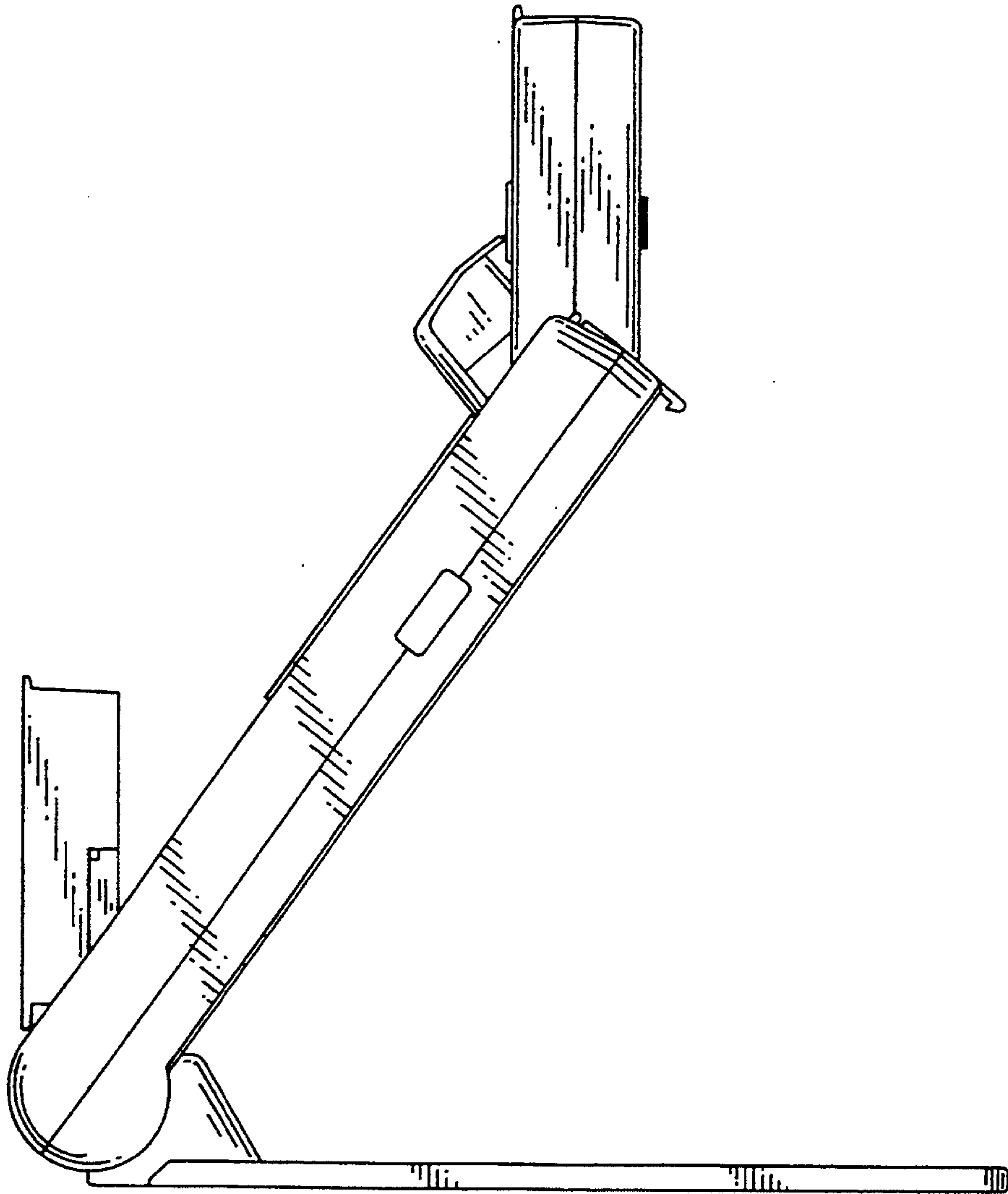


Fig. 6

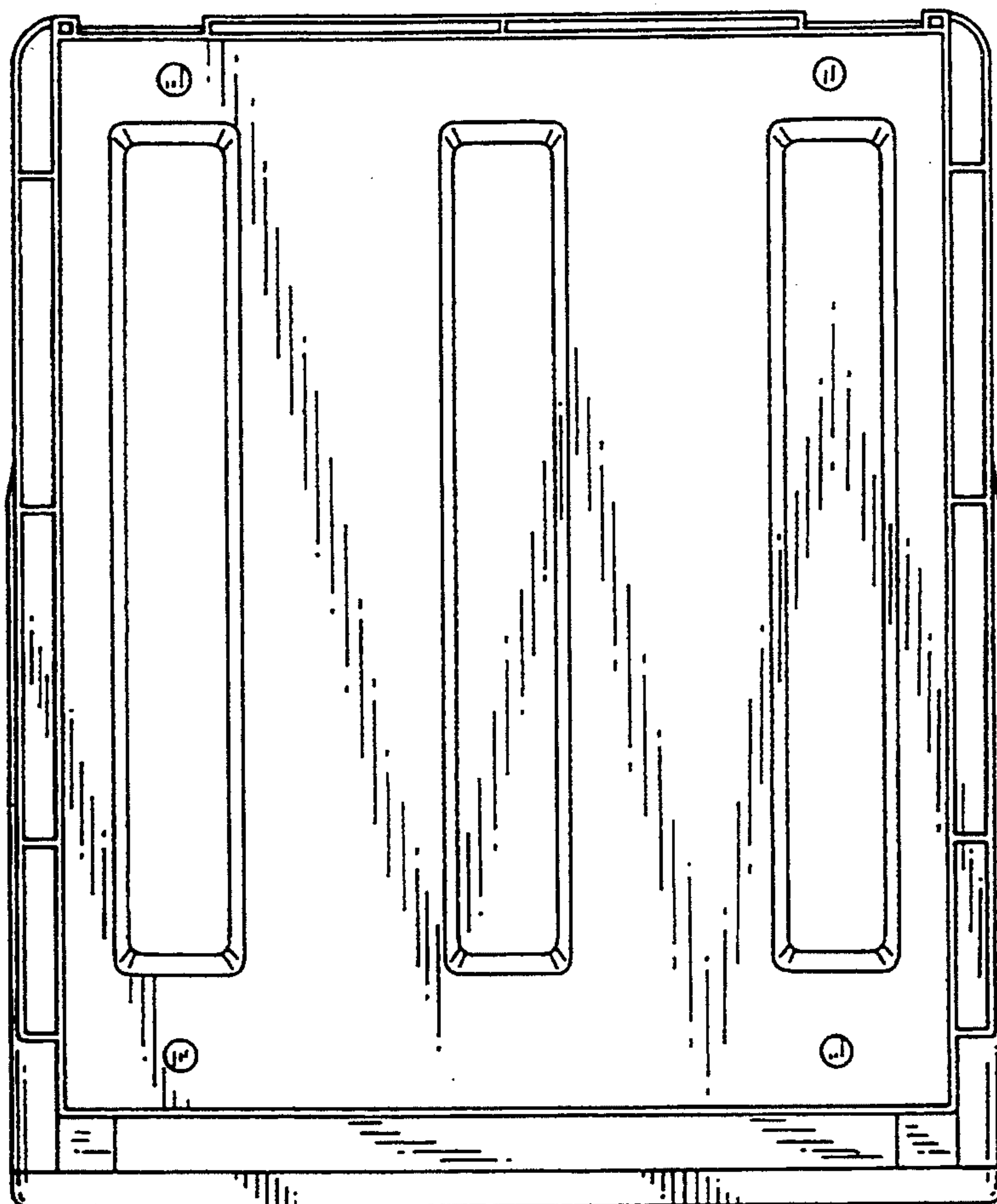


Fig. 7

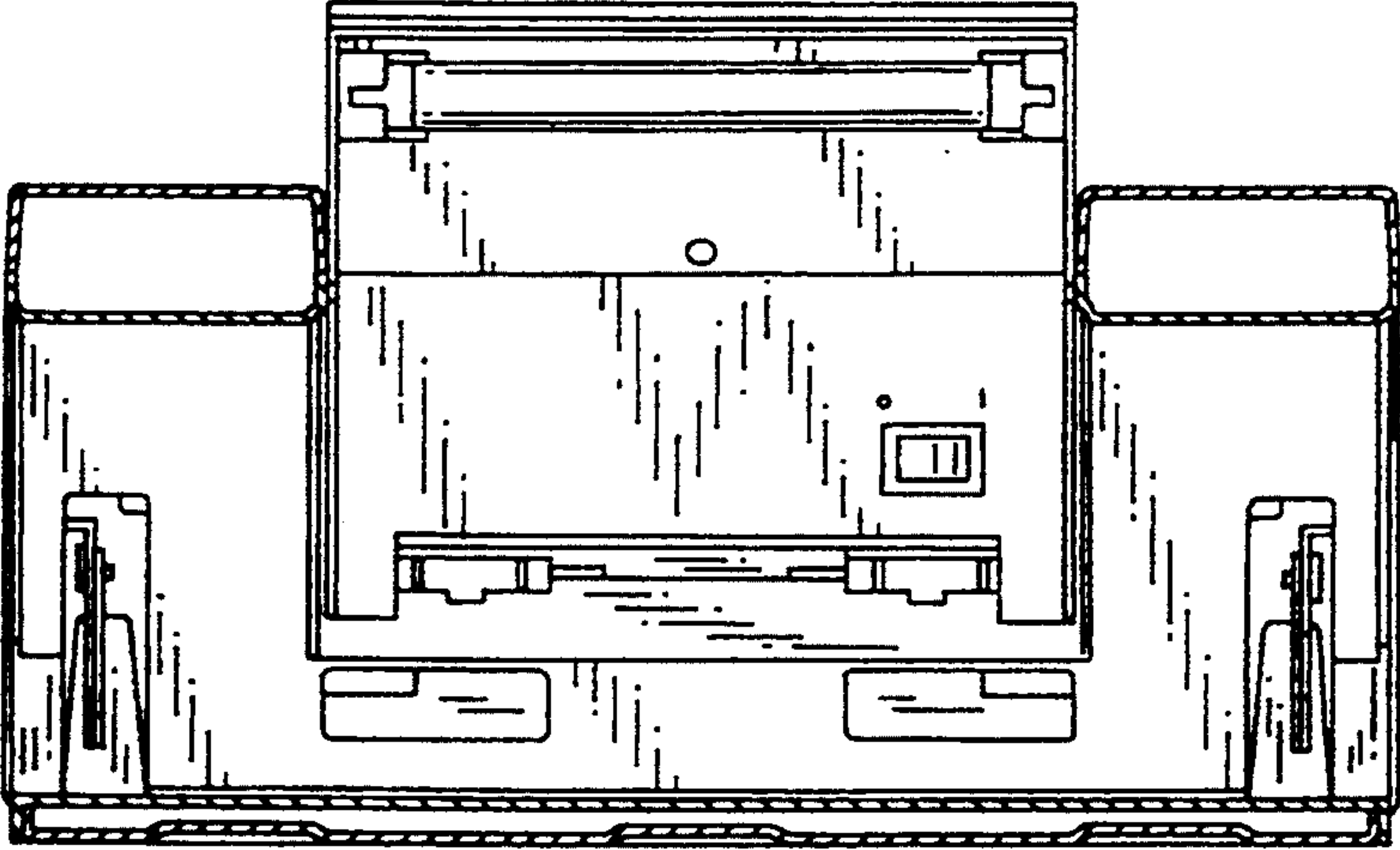


Fig. 8

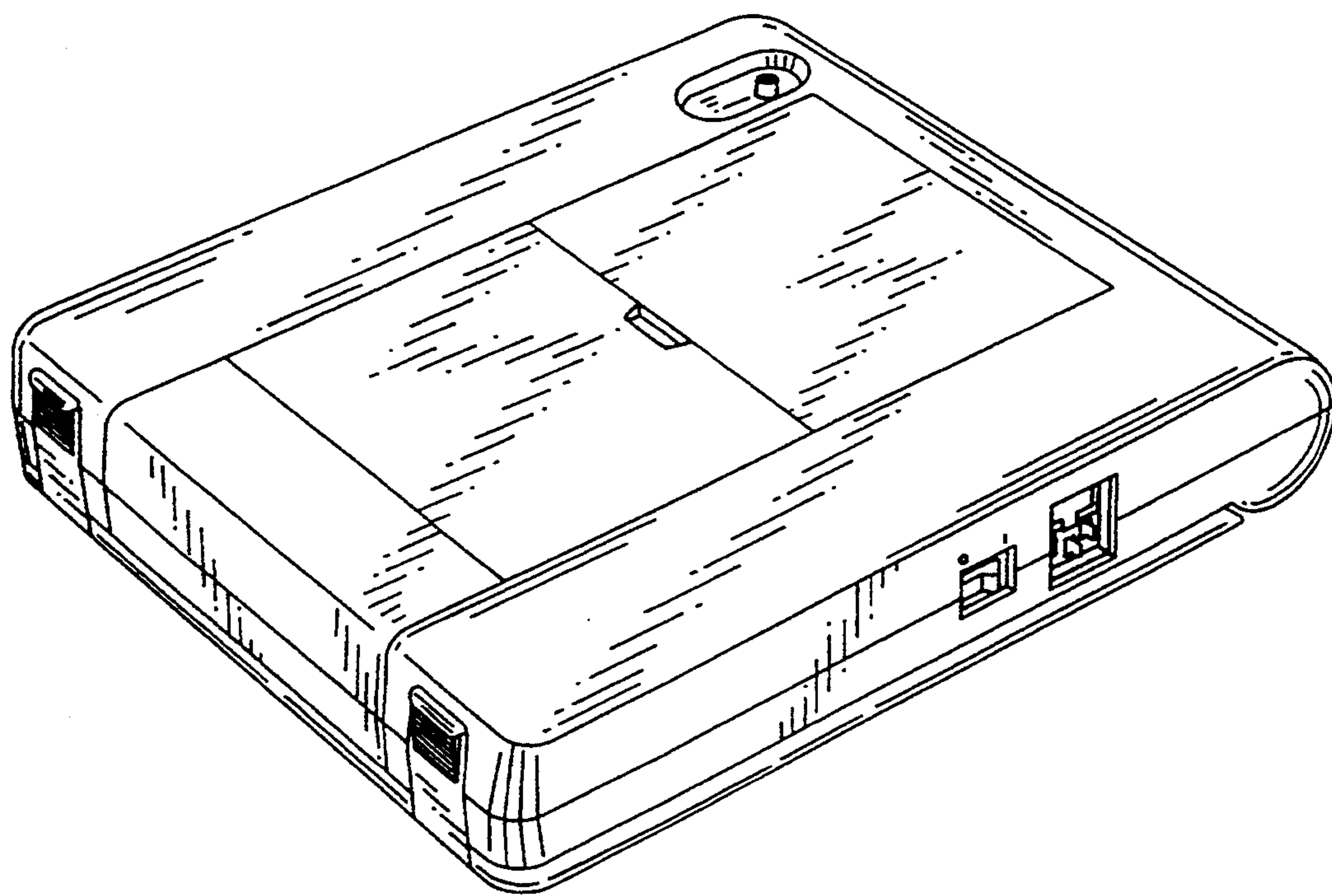


Fig. 9

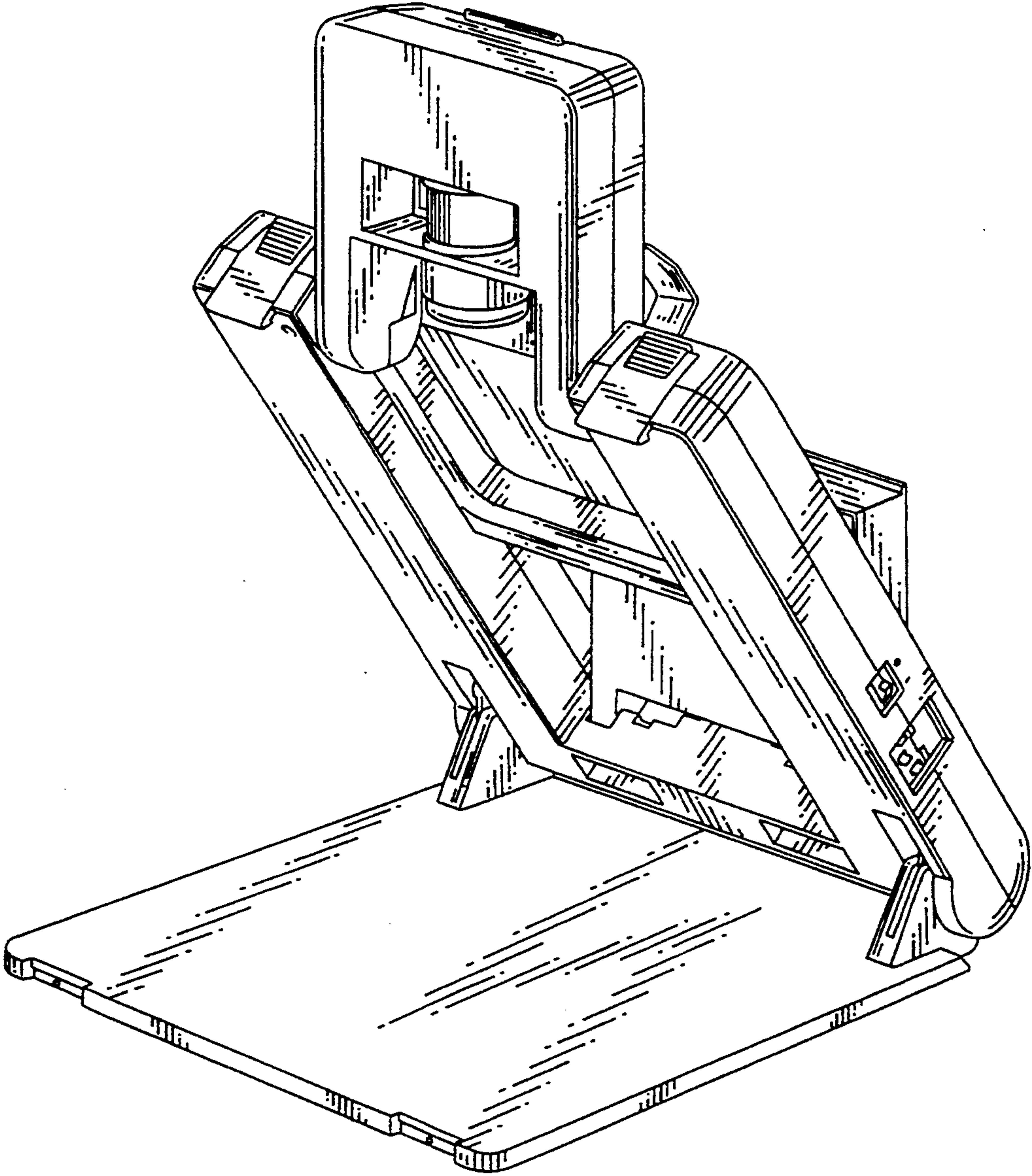


Fig. 10

