



US00D354049S

United States Patent [19]

[11] Patent Number: **Des. 354,049**

Baitinger et al.

[45] Date of Patent: **** Jan. 3, 1995**

[54] **KEYBOARD FOR A PERSONAL NOTEBOOK COMPUTER**

D. 337,100 7/1993 Iino D14/106

[75] Inventors: **Robert Baitinger, Paderborn; Franz Wandinger, München, both of Germany**

OTHER PUBLICATIONS

Sales Brochure for "Compaq LTE Lite/25c", Document No. 048a/0692 date unknown.

[73] Assignee: **Siemens Nixdorf Informationssysteme AG, Paderborn, Germany**

Primary Examiner—Wallace R. Burke
Assistant Examiner—Freda S. Nunn
Attorney, Agent, or Firm—Hill, Steadman & Simpson

[**] Term: **14 Years**

[57] CLAIM

[21] Appl. No.: **942,069**

The ornamental design for a keyboard for a personal notebook computer, as shown and described.

[22] Filed: **Sep. 9, 1992**

DESCRIPTION

[52] U.S. Cl. **D14/115**

[58] **Field of Search** D14/100, 101, 106, 115; D18/1, 7, 11, 12; 235/145 A, 145 R; 340/700, 706; 341/22, 23; 364/708, 709.04, 709.12; 361/390, 394; 400/486, 489

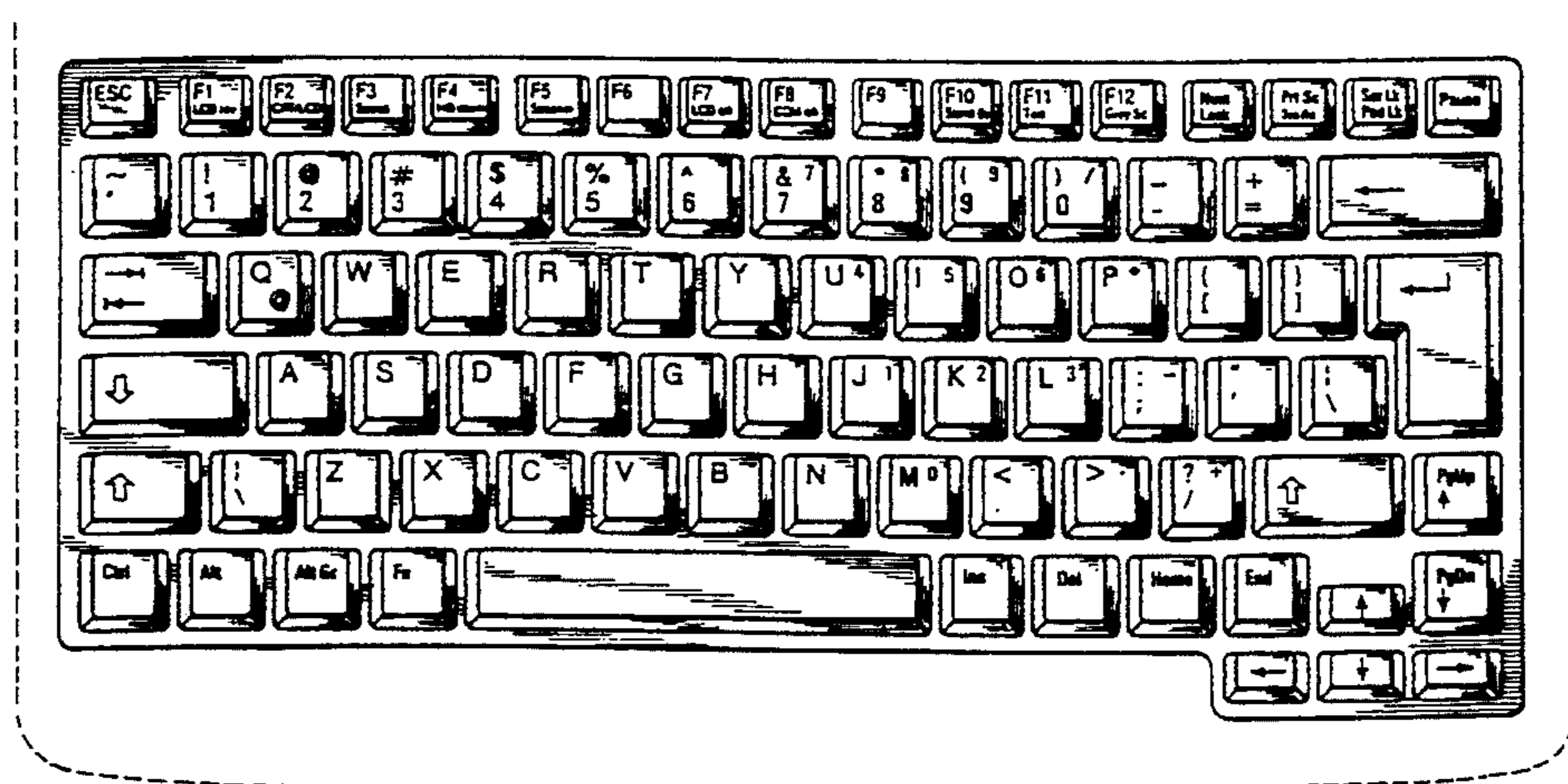
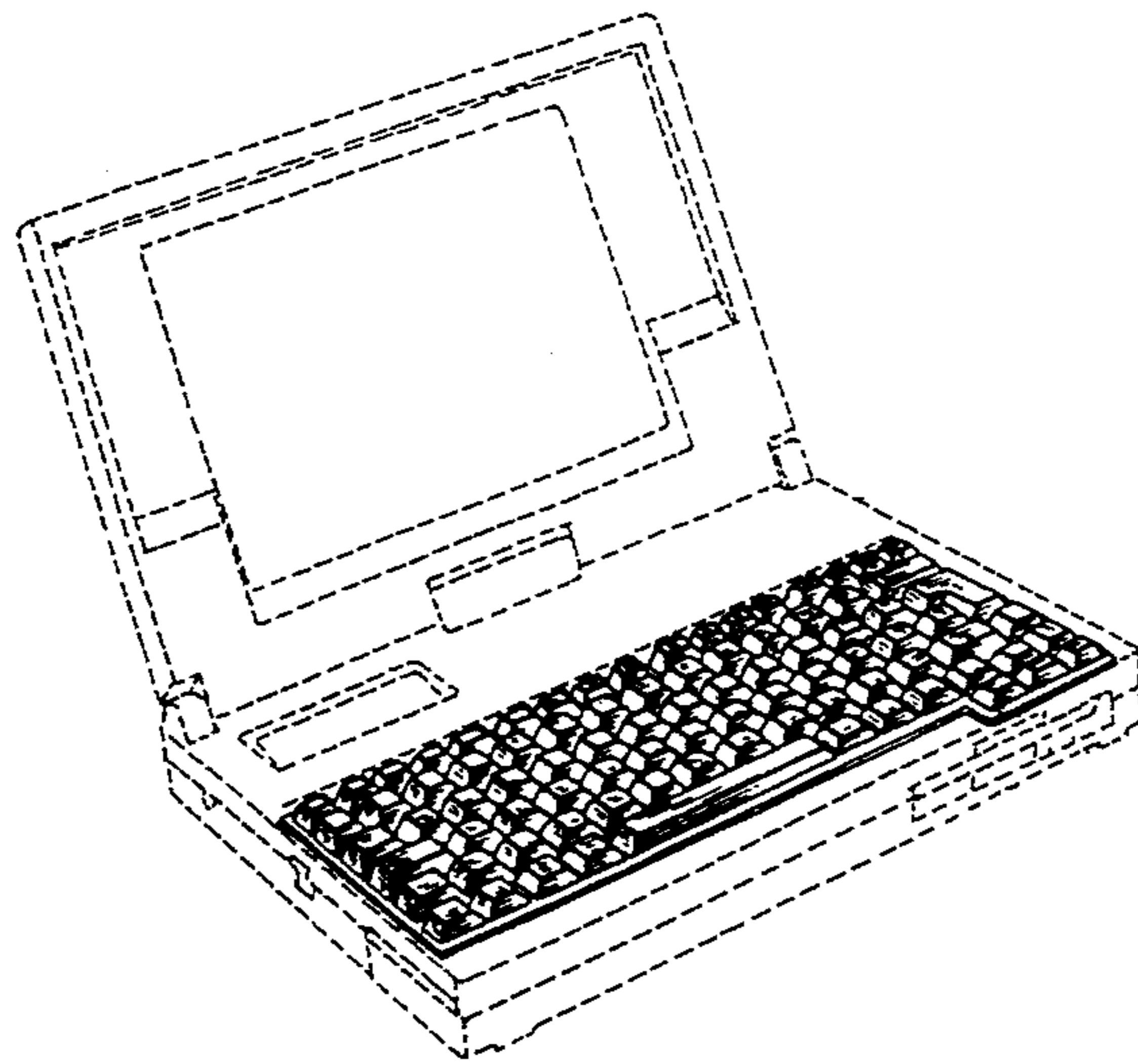
FIG. 1 is a top front and side perspective view of a keyboard for a personal notebook computer showing our new design with the characters being omitted from the keys for clarity of illustration only; FIG. 2 is an enlarged top plan view thereof; and, FIG. 3 is a side elevational view thereof opposite that shown in FIG. 1.

[56] References Cited

U.S. PATENT DOCUMENTS

D. 316,706 5/1991 Imamura et al. D14/106
D. 317,442 6/1991 Gintz et al. D14/106

The personal computer is shown in broken lines in the figures for illustrative purposes only and forms no part of the claimed design.



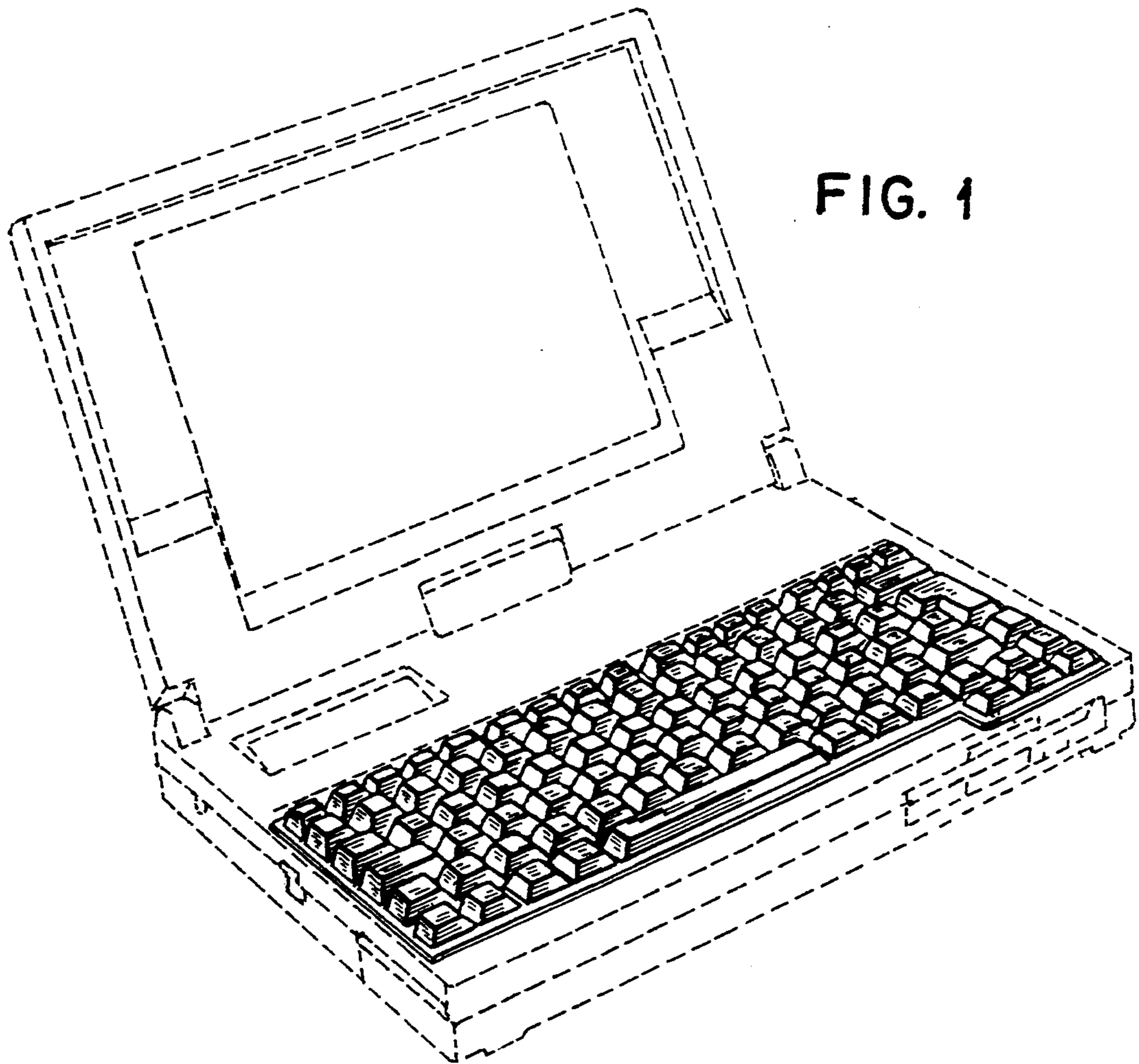


FIG. 1

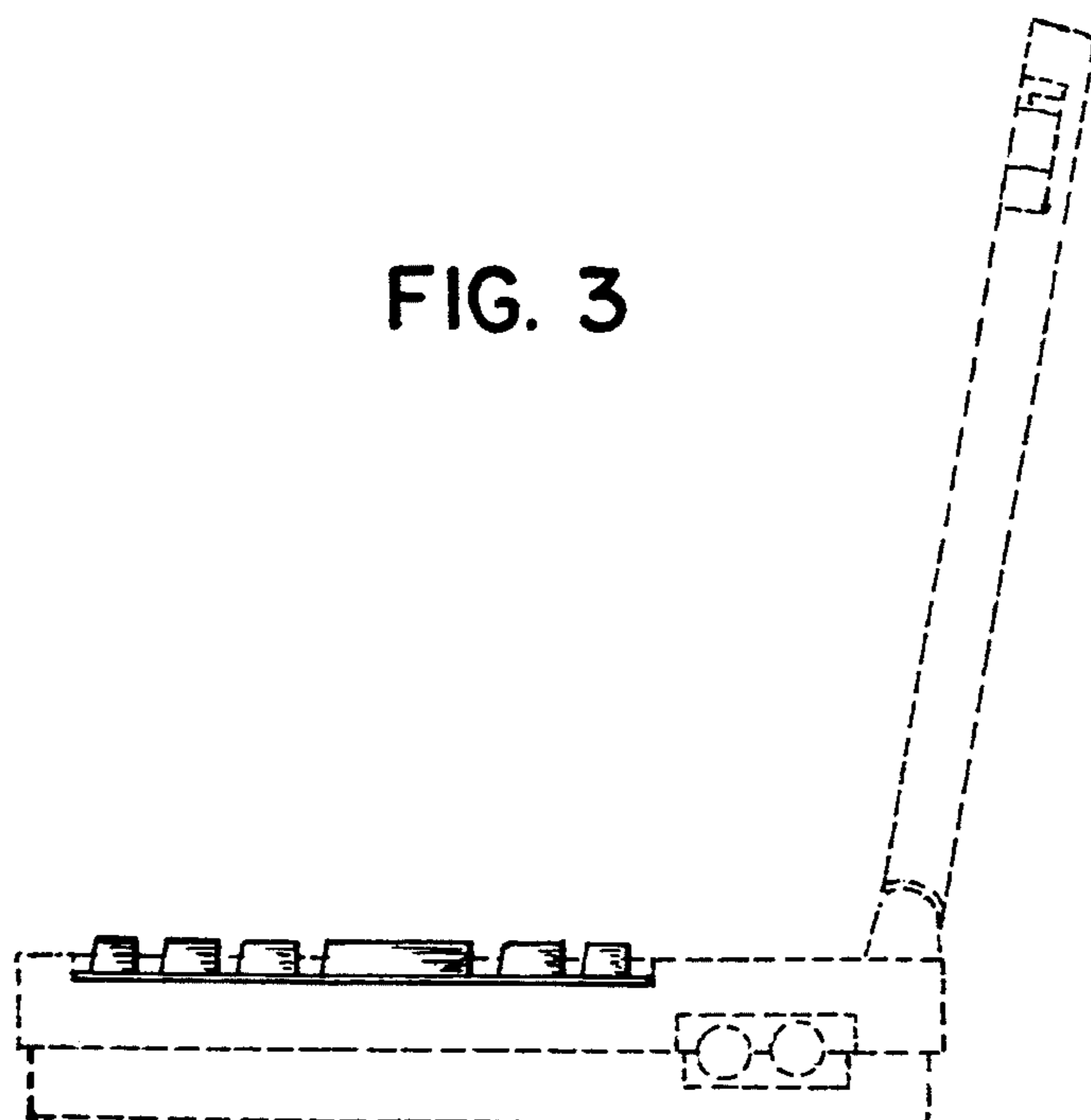


FIG. 3

FIG. 2

