



US00D354047S

United States Patent [19]

[11] Patent Number: **Des. 354,047**

Leggate et al.

[45] Date of Patent: **** Jan. 3, 1995**

- [54] **INTERACTIVE DISPLAY TERMINAL**
- [75] Inventors: **William Leggate, Richmond; Michael Sirois, Ottawa, both of Canada**
- [73] Assignee: **Concourse Technologies Corporation, Richmond, Canada**
- [**] Term: **14 Years**
- [21] Appl. No.: **11,161**
- [22] Filed: **Jul. 19, 1993**
- [52] U.S. Cl. **D14/101; D10/109; D14/130; D14/142**
- [58] Field of Search **D14/101, 100, 113, 114, D14/130, 140, 142, 240, 149-151; 379/420, 428, 419, 440, 433-436; 364/706, 708.1, 709.12, 130, 144**

- D. 302,815 8/1989 Goatman D14/140 X
- D. 305,537 1/1990 Gilmore et al. D14/142 X
- D. 310,524 9/1990 Utsuki et al. D14/151
- D. 328,076 7/1992 Hagiwara D14/151 X
- D. 331,055 11/1992 Massey et al. D14/146
- D. 333,304 2/1993 Taniuchi et al. D14/140 X
- 3,598,920 8/1971 Fischer 379/434 X

Primary Examiner—Alan P. Douglas
Assistant Examiner—Jeffrey Asch
Attorney, Agent, or Firm—Marks & Clerk

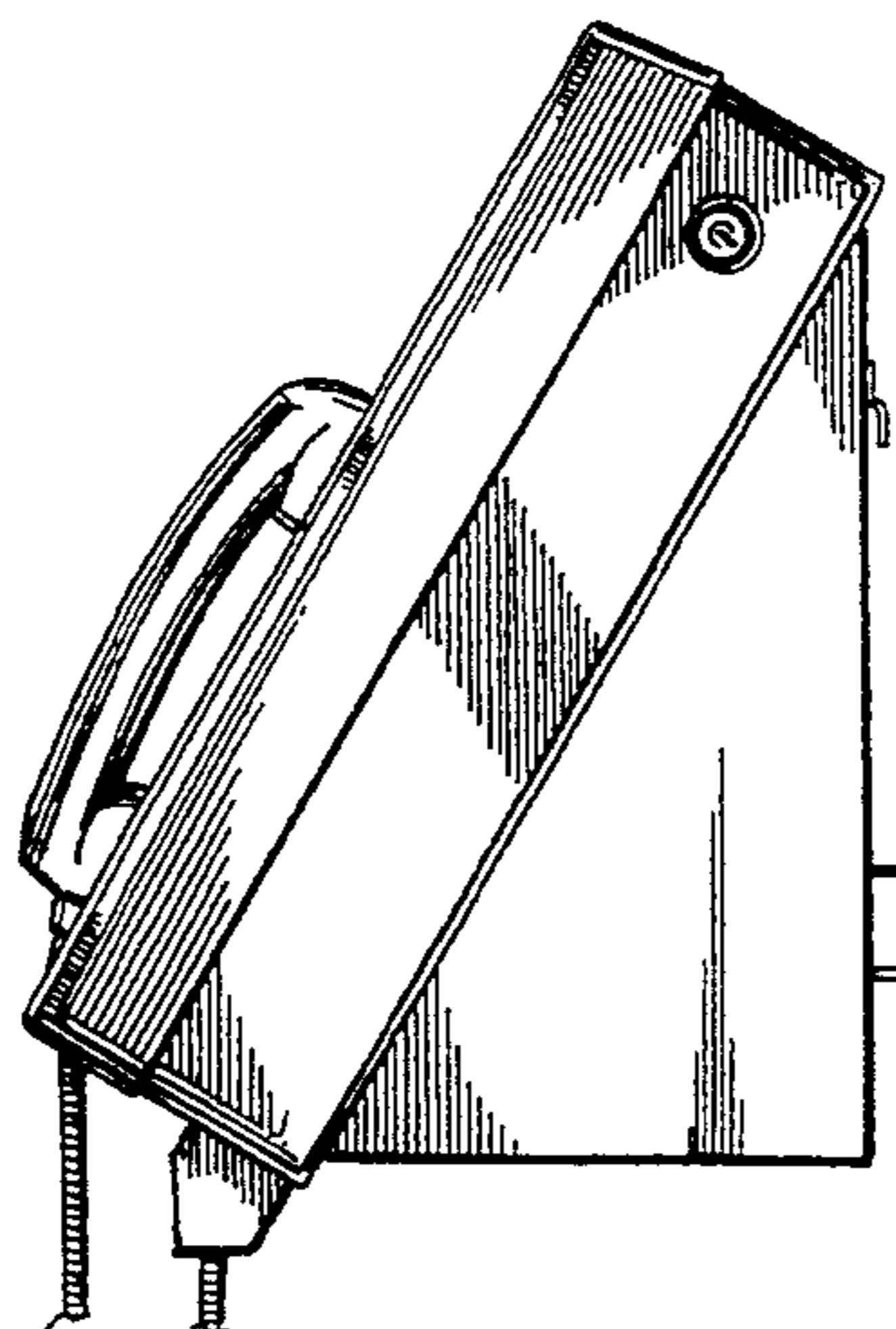
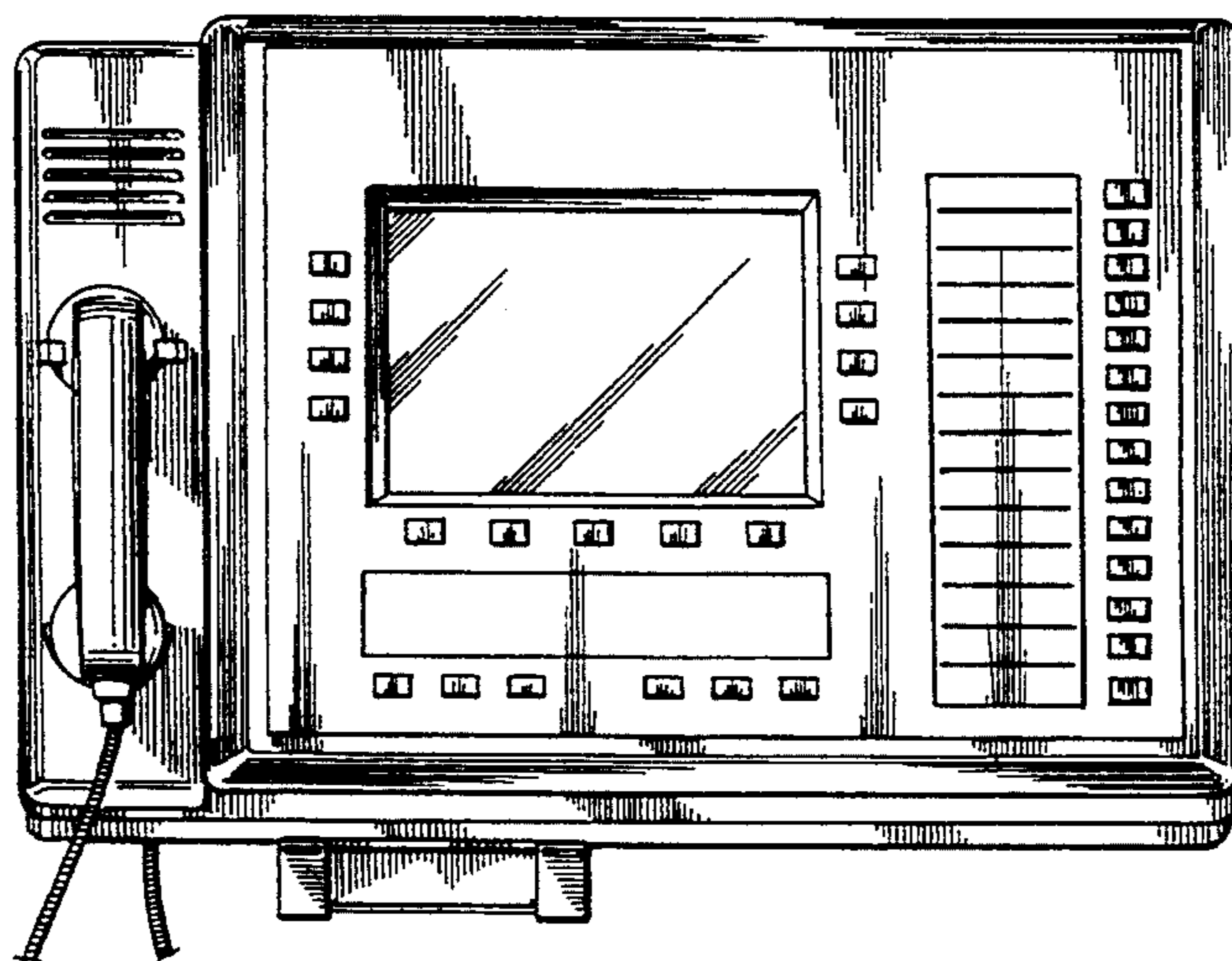
[57] CLAIM

The ornamental design for a interactive display terminal, as shown and described.

DESCRIPTION

FIG. 1 is a front elevational view of an interactive display terminal showing our new design; FIG. 2 is a view from one side thereof; FIG. 3 is a view from the opposite side thereof; FIG. 4 is a rear view thereof; FIG. 5 is a plan view thereof; and, FIG. 6 is an underneath view thereof.

- [56] **References Cited**
- U.S. PATENT DOCUMENTS**
- D. 282,763 2/1986 Catelli D14/144 X
- D. 289,285 4/1987 Giordano, Jr. et al. D14/142 X
- D. 294,250 2/1988 Watanabe D14/130



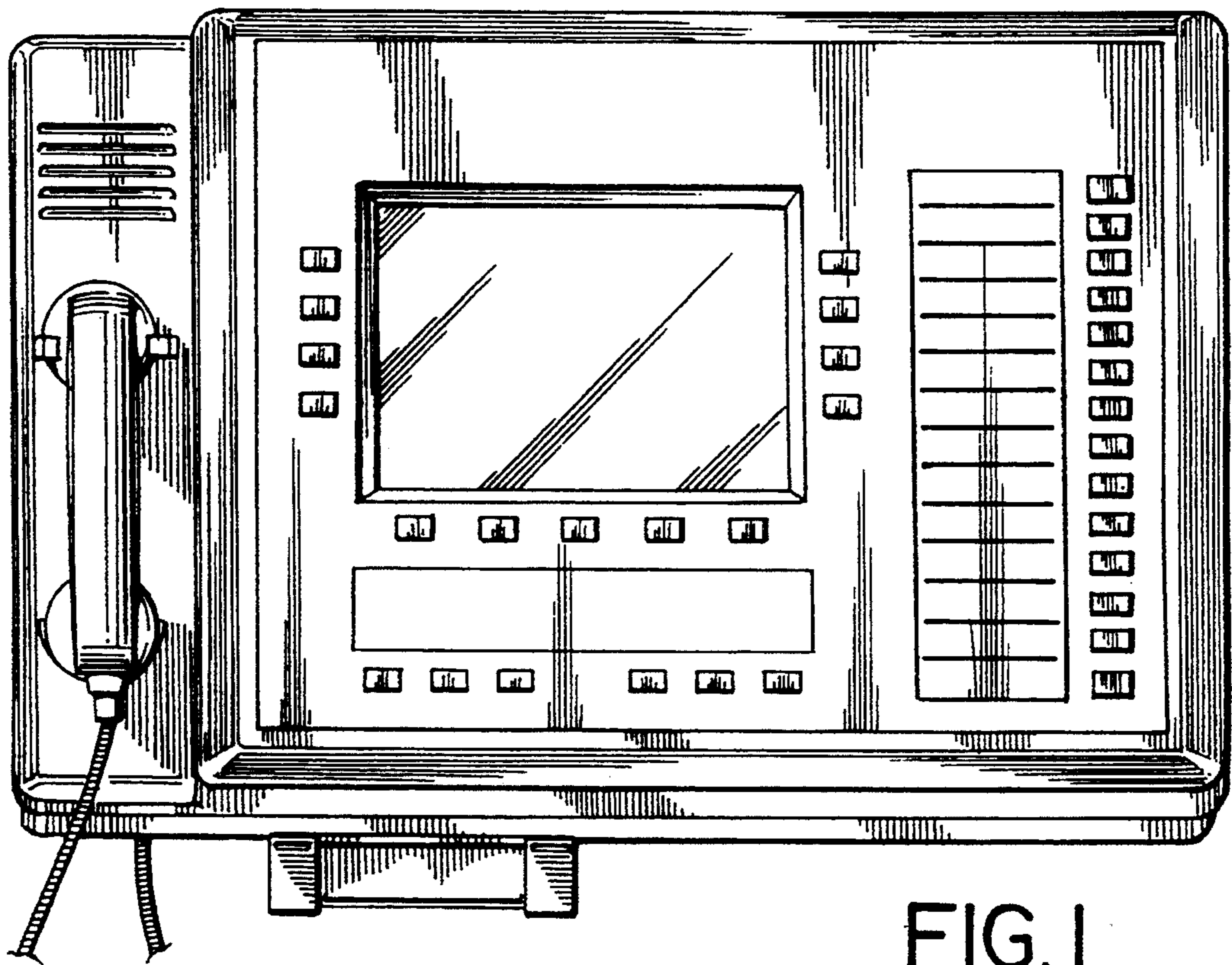


FIG. 1

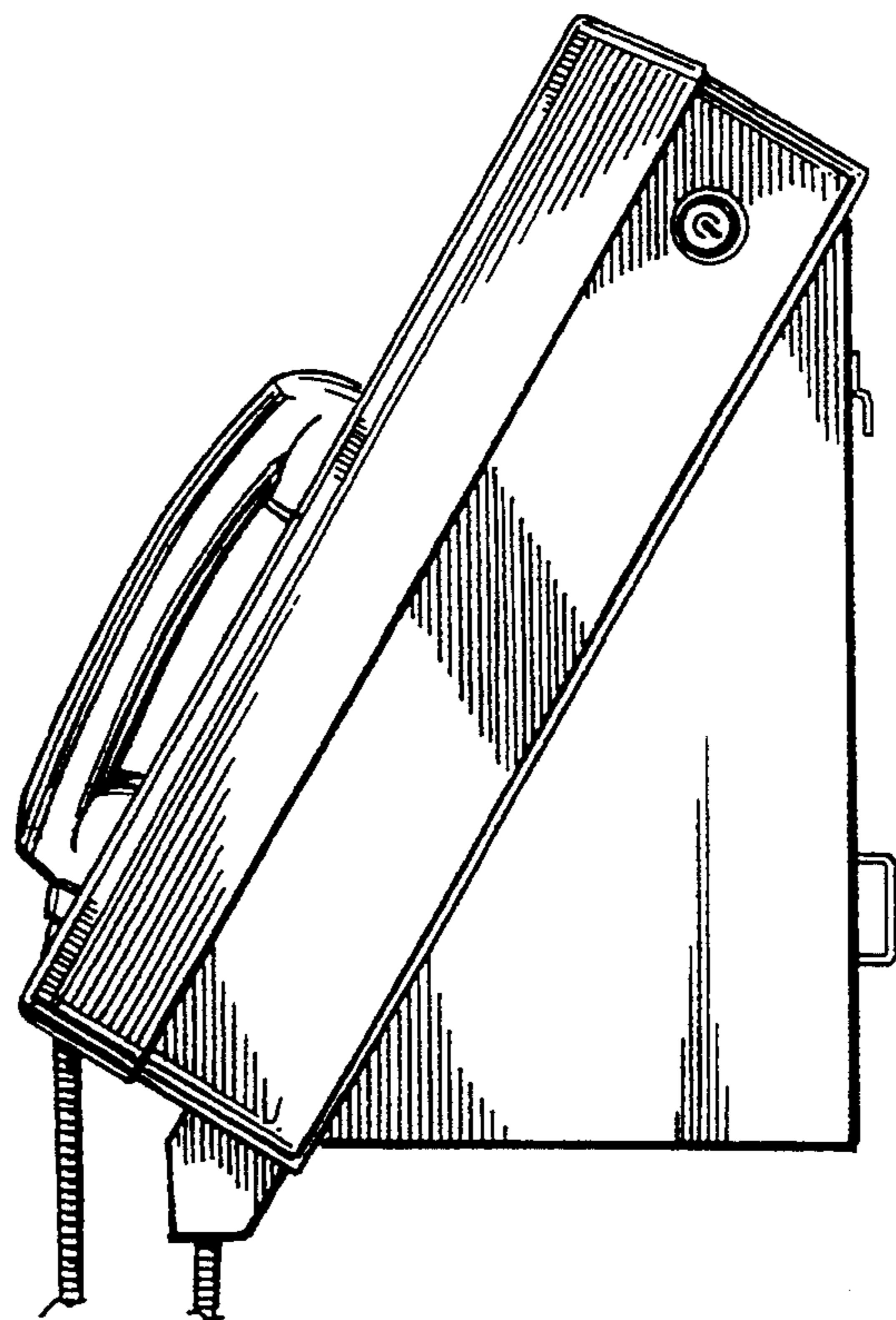


FIG. 2

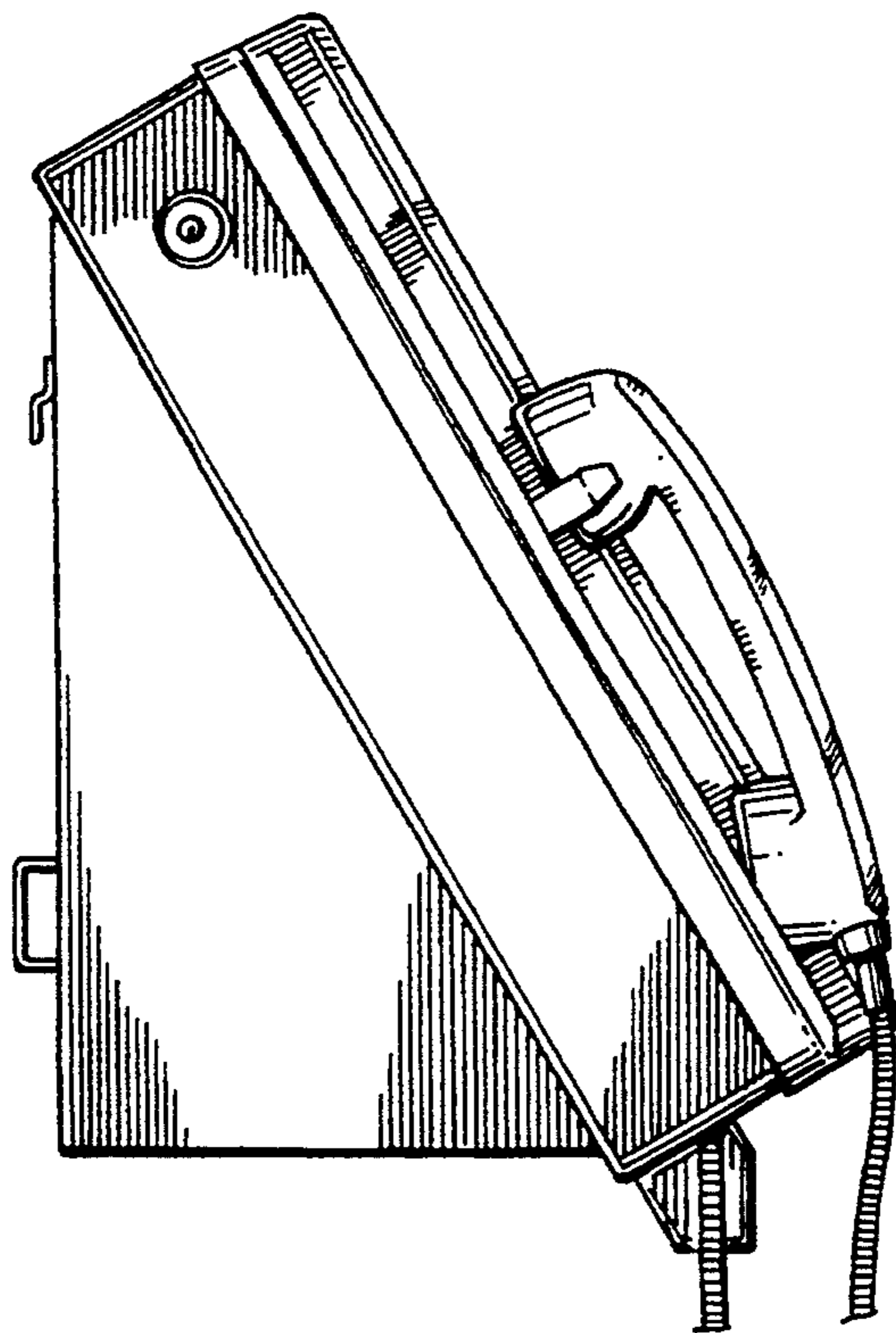


FIG. 3

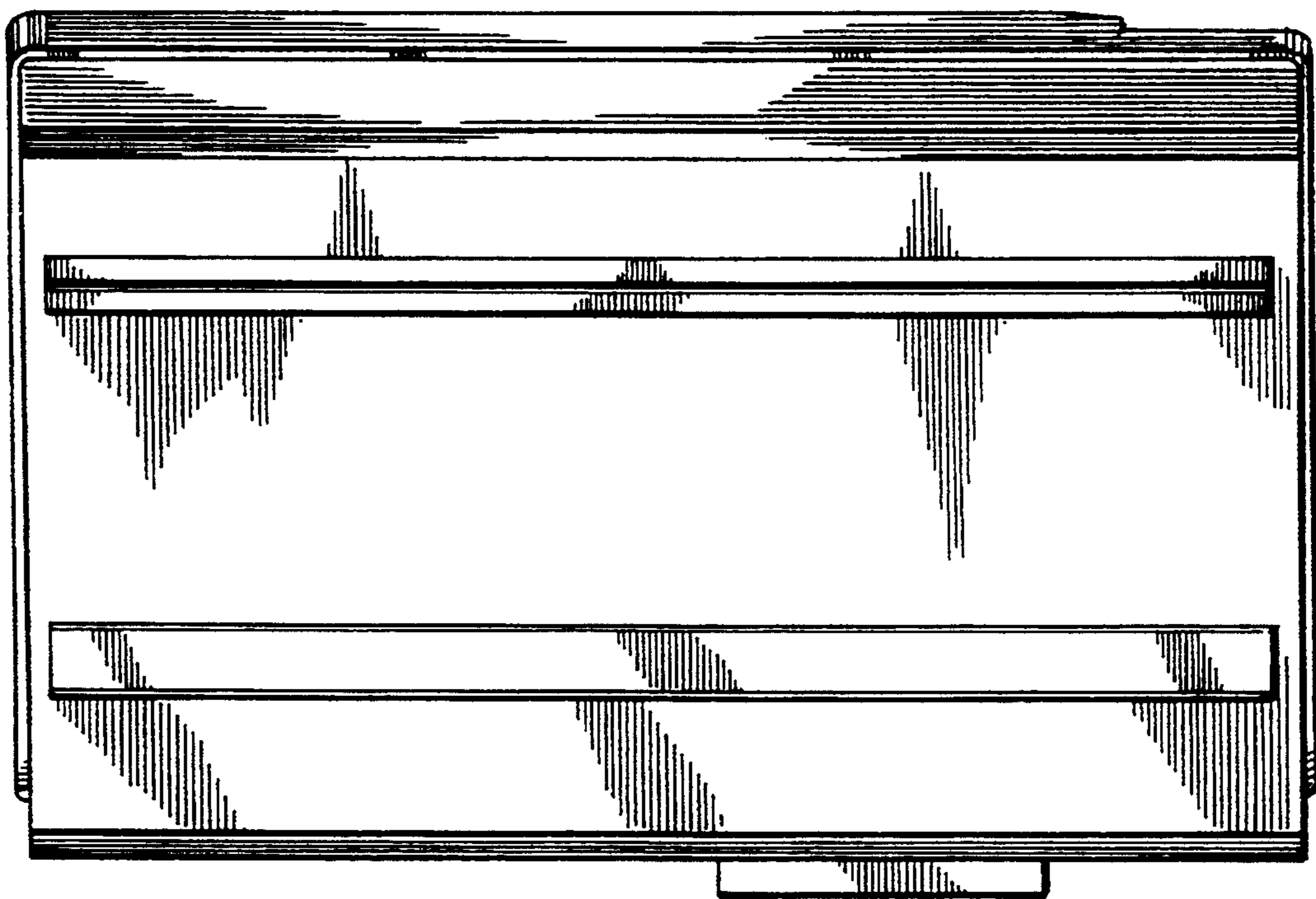


FIG. 4

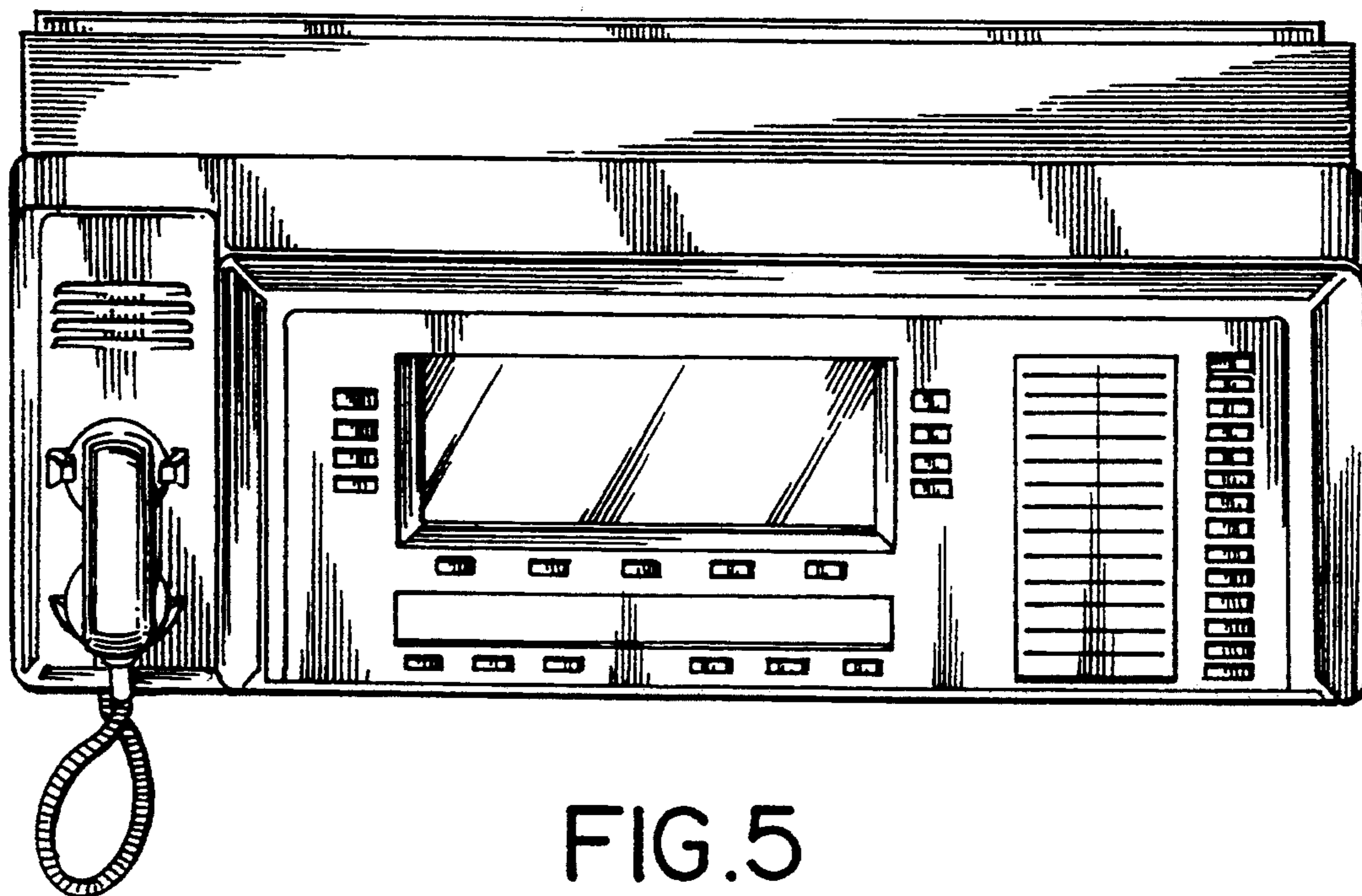


FIG. 5

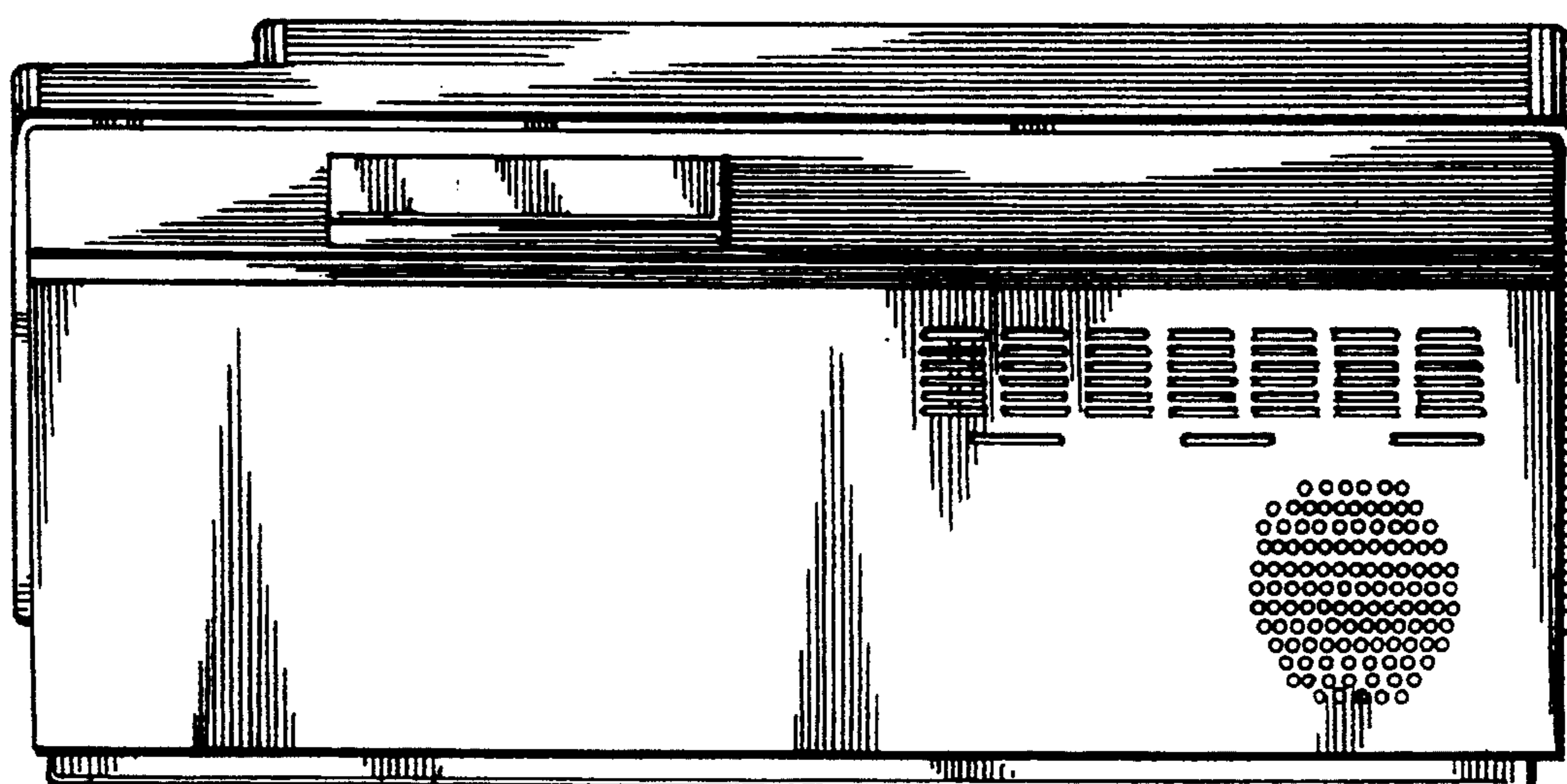


FIG. 6