



US00D354042S

United States Patent [19]

[11] Patent Number: **Des. 354,042**

Nogas

[45] Date of Patent: **** Jan. 3, 1995**

[54] **HOUSING FOR A PLUG-IN PRINTED CIRCUIT BOARD**

[75] Inventor: **David A. Nogas**, Ottawa, Canada
[73] Assignee: **Mitel Corporation**, Ontario, Canada
[**] Term: **14 Years**
[21] Appl. No.: **4,343**
[22] Filed: **Feb. 2, 1993**

[30] **Foreign Application Priority Data**
Aug. 5, 1992 [CA] Canada 05-08-92-5
[52] U.S. Cl. **D13/162**
[58] Field of Search D13/162, 164; D14/107;
361/686, 728, 729, 730, 736, 748, 752, 783, 788,
796

[56] **References Cited**
U.S. PATENT DOCUMENTS
D. 328,058 7/1992 Suzuki et al. D13/162 X
D. 329,844 9/1992 Ishida D13/162
D. 330,701 11/1992 Suzuki et al. D13/162

FOREIGN PATENT DOCUMENTS

364618 4/1990 European Pat. Off. 361/730

Primary Examiner—Joel Sincavage
Attorney, Agent, or Firm—Levine & Mandelbaum

[57] **CLAIM**

The ornamental design for a housing for a plug-in printed circuit board, as shown and described.

DESCRIPTION

FIG. 1 is a front and upper right isometric view of a housing for a plug-in printed circuit board showing my new design;
FIG. 2 is a top view of the design;
FIG. 3 is a bottom view of the design;
FIG. 4 is a front view of the design;
FIG. 5 is a right side elevation of the design;
FIG. 6 is a left side elevation of the design; and,
FIG. 7 is a rear view of the design. The broken line showing is included for the purpose of illustrating environmental structure only and forms no part of the claimed design.

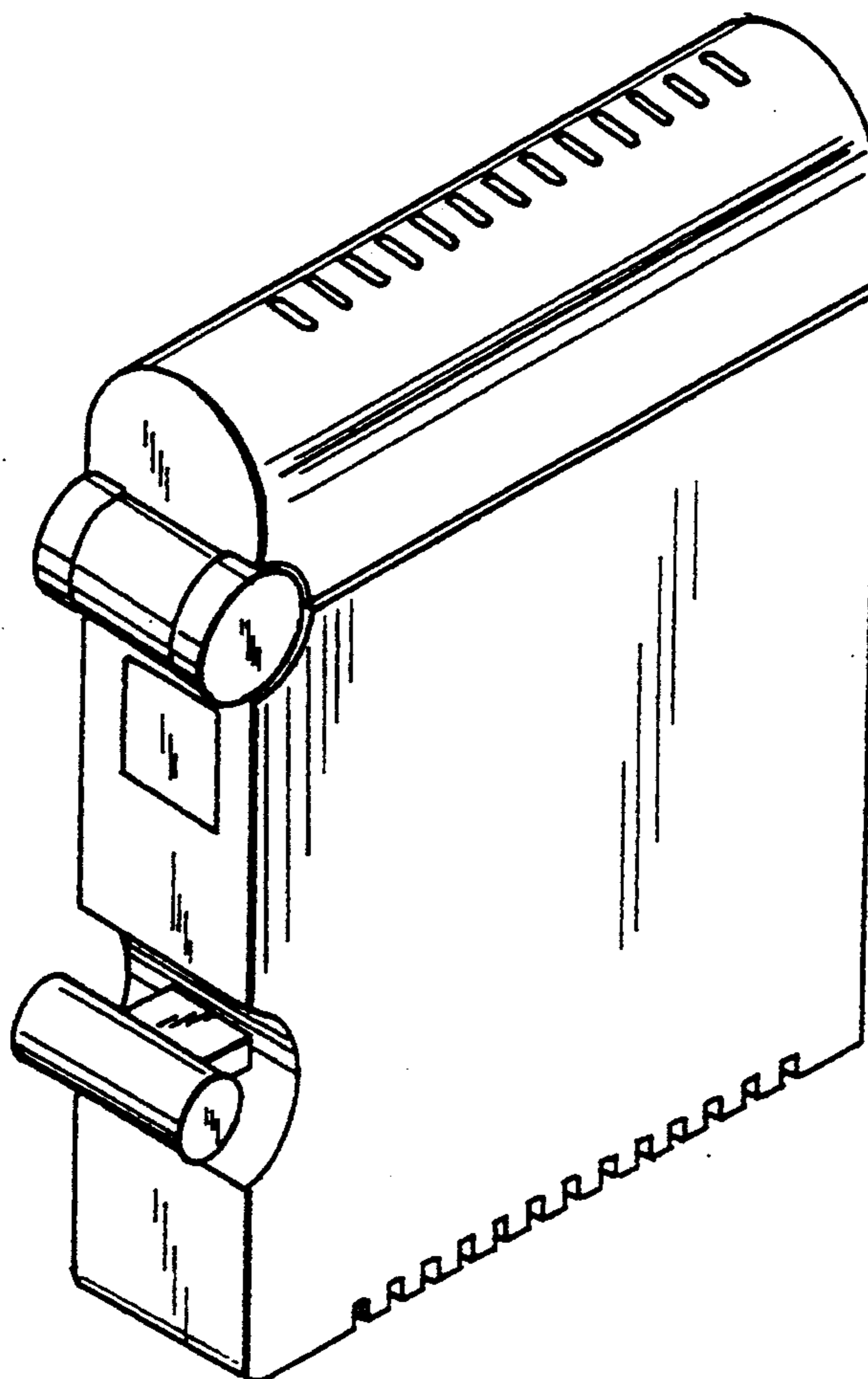


FIG. 4

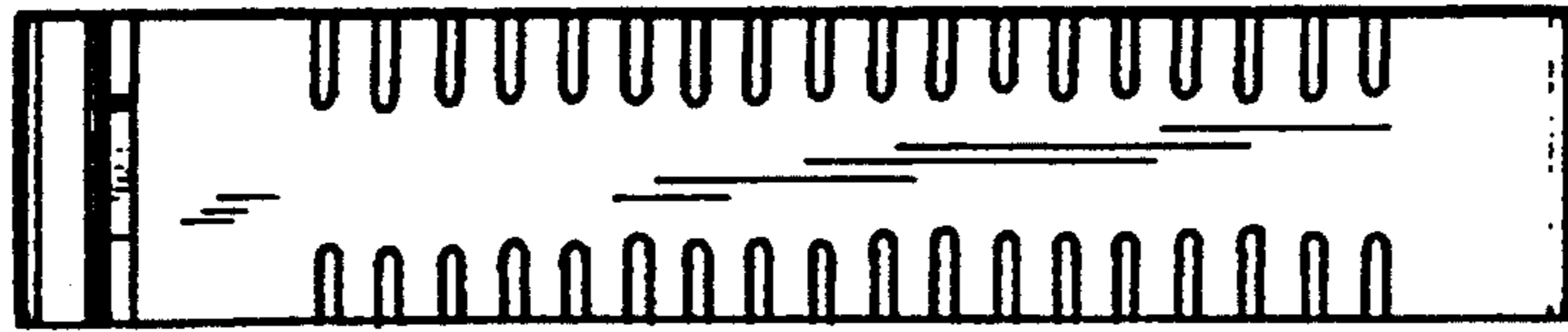


FIG. 3

FIG. 2

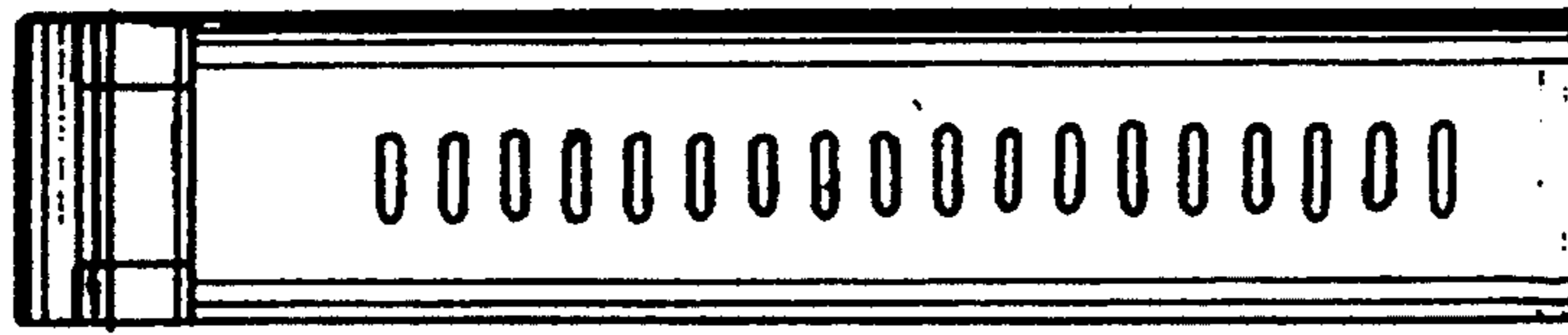


FIG. 1

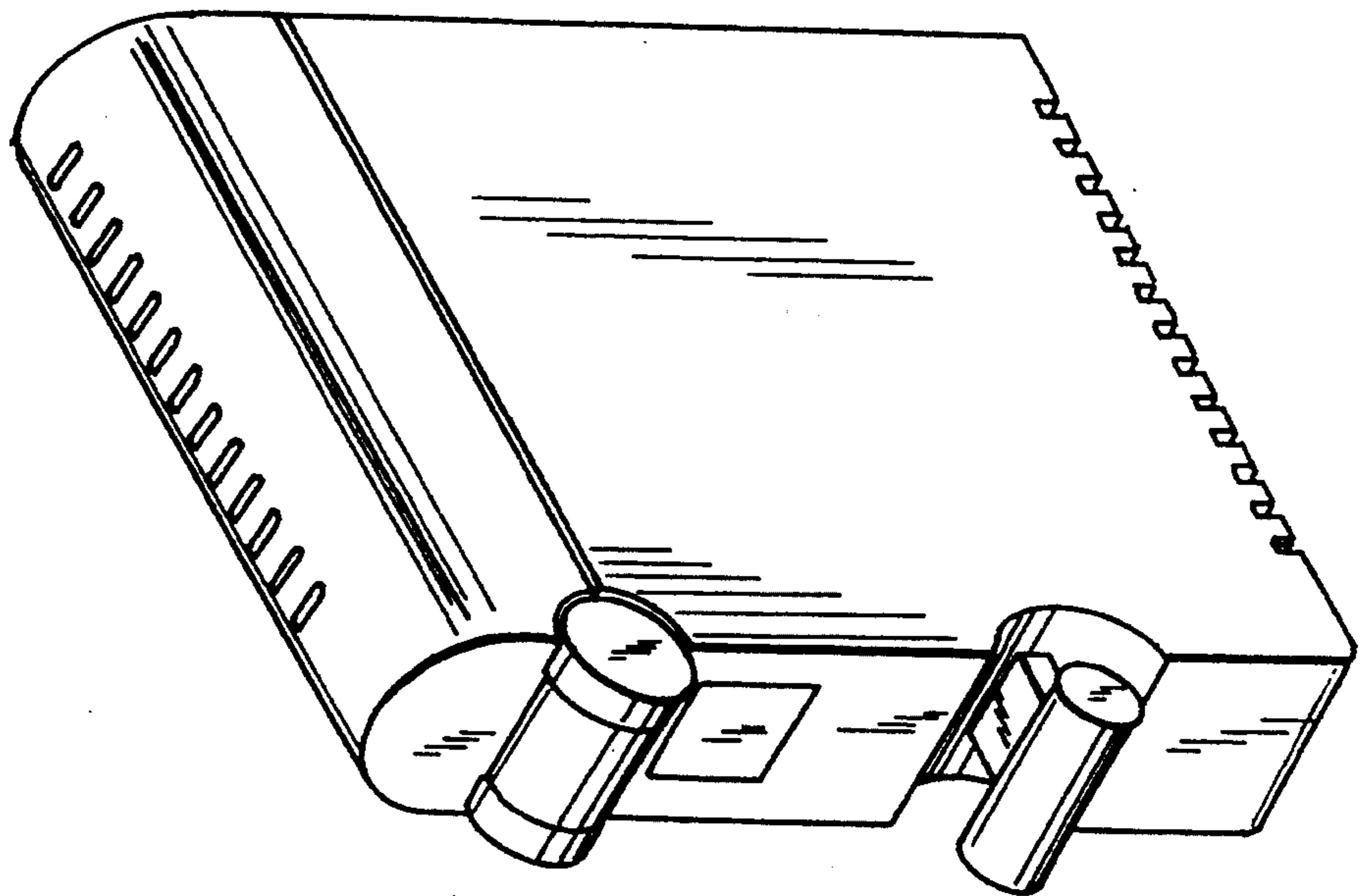


FIG. 6

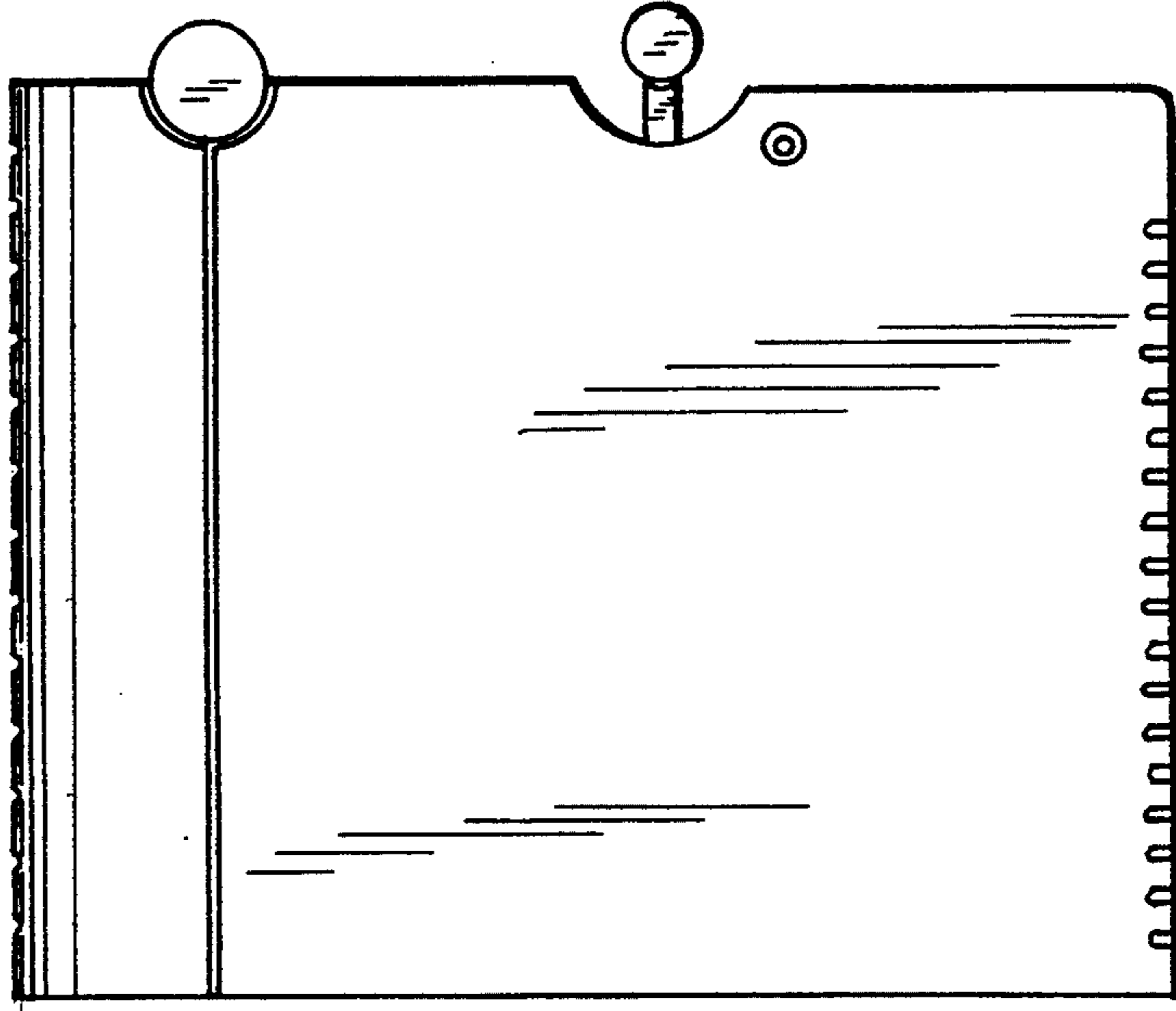


FIG. 7

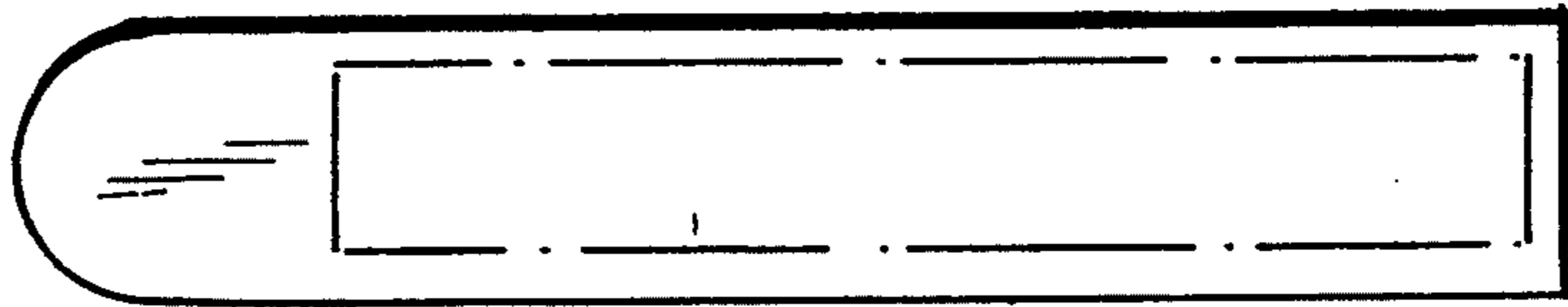


FIG. 5

