



US00D354041S

# United States Patent [19]

[11] Patent Number: **Des. 354,041**

Scheid et al.

[45] Date of Patent: **\*\* Jan. 3, 1995**

## [54] MULTI-FUNCTION RADIO PAGER CHARGER

[75] Inventors: **William J. Scheid**, Coral Springs;  
**Robert Kurcbart**, Boca Raton, both  
of Fla.

[73] Assignee: **Motorola, Inc.**, Schaumburg, Ill.

[\*\*] Term: **14 Years**

[21] Appl. No.: **941,632**

[22] Filed: **Sep. 8, 1992**

[52] U.S. Cl. .... **D13/108**

[58] Field of Search ..... **D13/107, 108, 144;**  
**D14/114, 217, 218, 240; 320/2, 3, 4**

### [56] References Cited

#### U.S. PATENT DOCUMENTS

D. 206,590	1/1967	Haggstrom et al. ....	D13/108
D. 301,455	6/1989	Hotsumi et al. ....	D13/108
D. 324,370	3/1992	Lay et al. ....	D13/108
D. 328,889	8/1992	Seki ....	D13/108

#### OTHER PUBLICATIONS

Motorola Marketing Brochure, R3, Sec. 5, Item 146,  
"Keynote Tone and Voice Pager Two-Tone Sequential  
Coding", 1989.  
NEC chargers in NEC publication Cat. No. E44116  
881220503KM.

*Primary Examiner*—Wallace R. Burke  
*Assistant Examiner*—Joel Sincavage

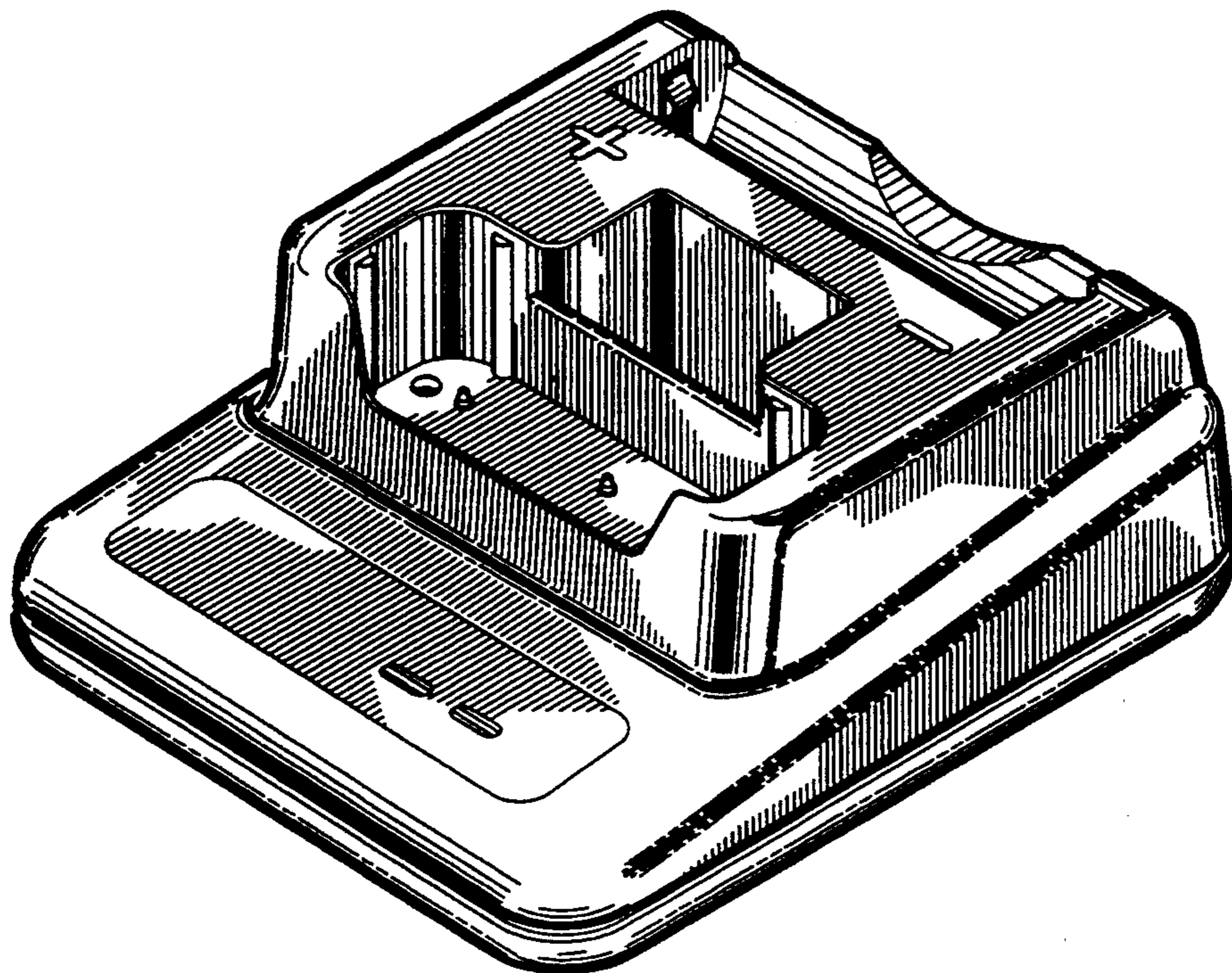
*Attorney, Agent, or Firm*—Keith A. Chanroo; Thomas  
G. Berry

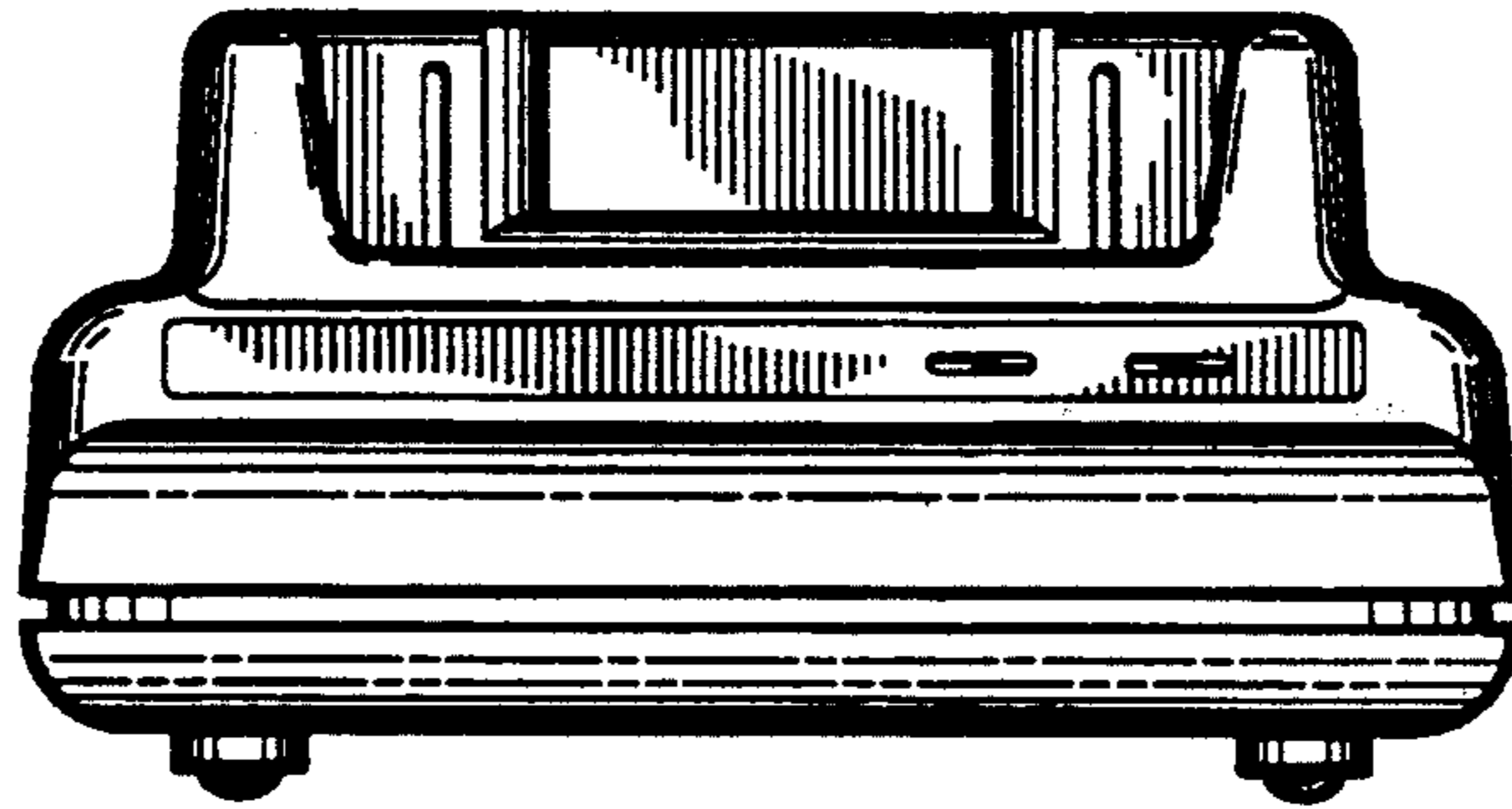
### [57] CLAIM

The ornamental design for a multi-function radio pager  
charger, as shown and described.

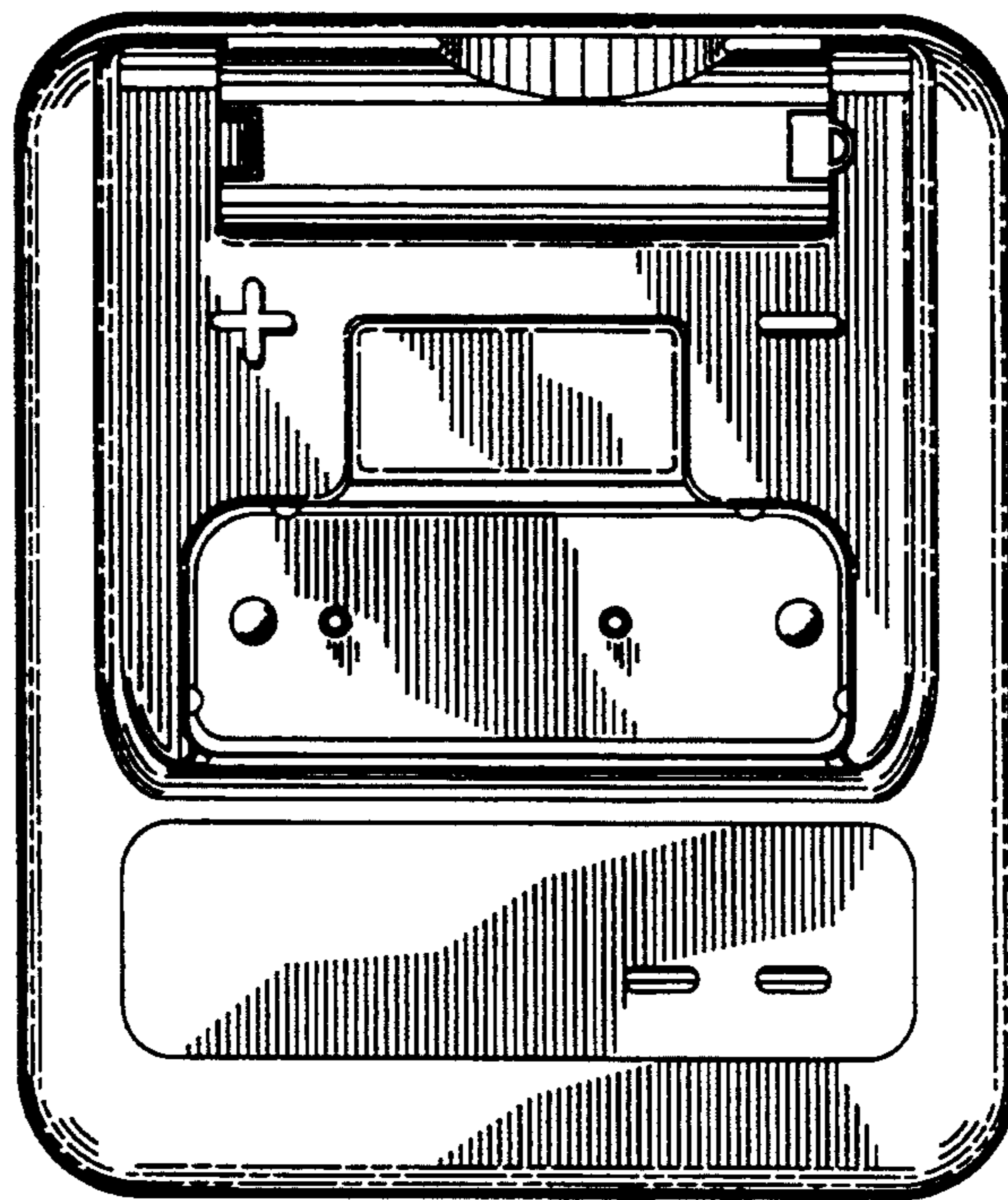
### DESCRIPTION

FIG. 1 is a front elevational view of a multi-function  
radio pager charger showing our new design;  
FIG. 2 is a top plan view thereof;  
FIG. 3 is a right side elevational view thereof, the left  
side being a mirror image;  
FIG. 4 is a rear elevational view thereof;  
FIG. 5 is a bottom plan view thereof;  
FIG. 6 is a front and upper right perspective view  
thereof;  
FIG. 7 is a front elevational view of a second embodi-  
ment of the multi-function radio pager charger illus-  
trated in FIG. 1;  
FIG. 8 is a top plan view of the embodiment disclosed  
in FIG. 7;  
FIG. 9 is a right side elevational view of the embodi-  
ment disclosed in FIG. 7, the left side being a mirror  
image;  
FIG. 10 is a rear elevational view of the embodiment  
disclosed in FIG. 7;  
FIG. 11 is a bottom plan view of the embodiment dis-  
closed in FIG. 7;  
FIG. 12 is a front and upper right perspective view of  
the embodiment disclosed in FIG. 7;  
FIG. 13 is a rear and lower left perspective view of the  
first embodiment as disclosed in FIGS. 1-6; and,  
FIG. 14 is a rear and lower left perspective view of the  
second embodiment as disclosed in FIGS. 7-12.

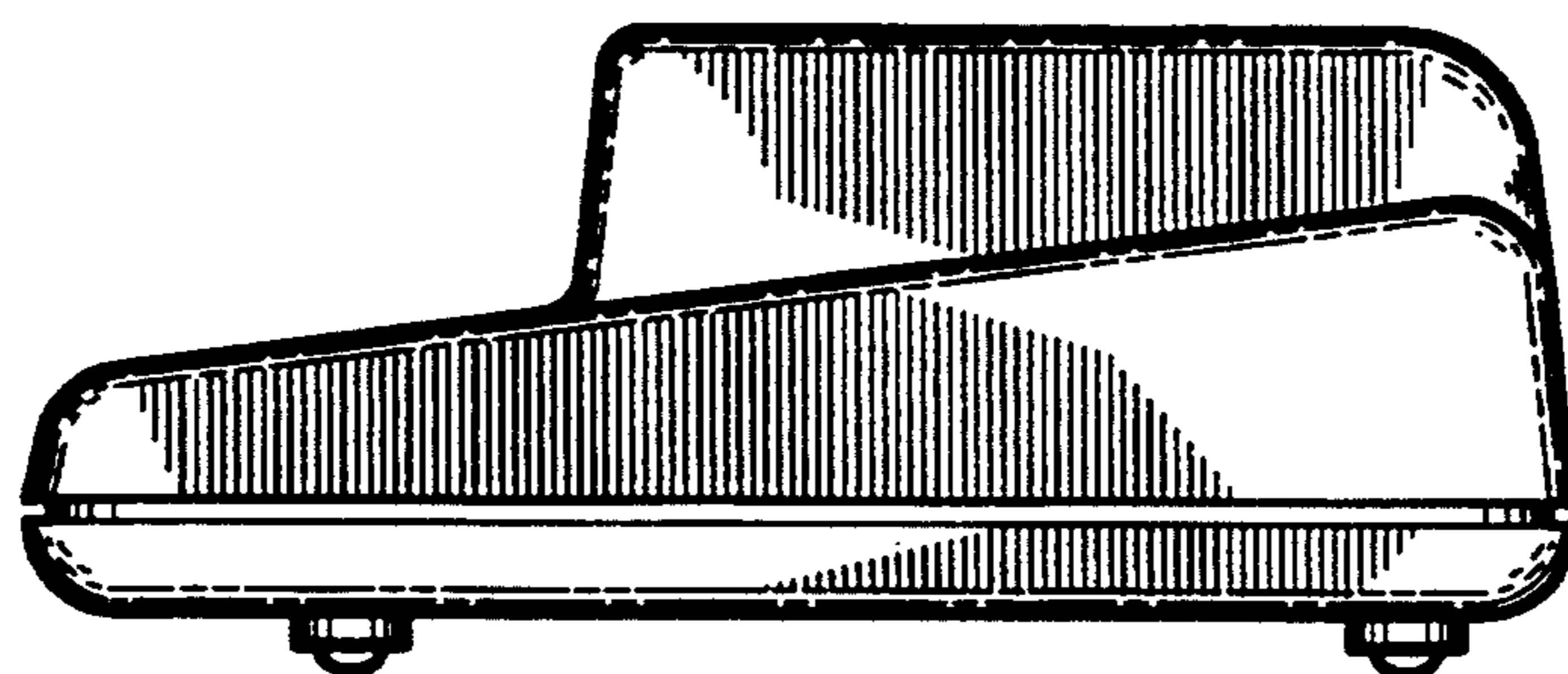




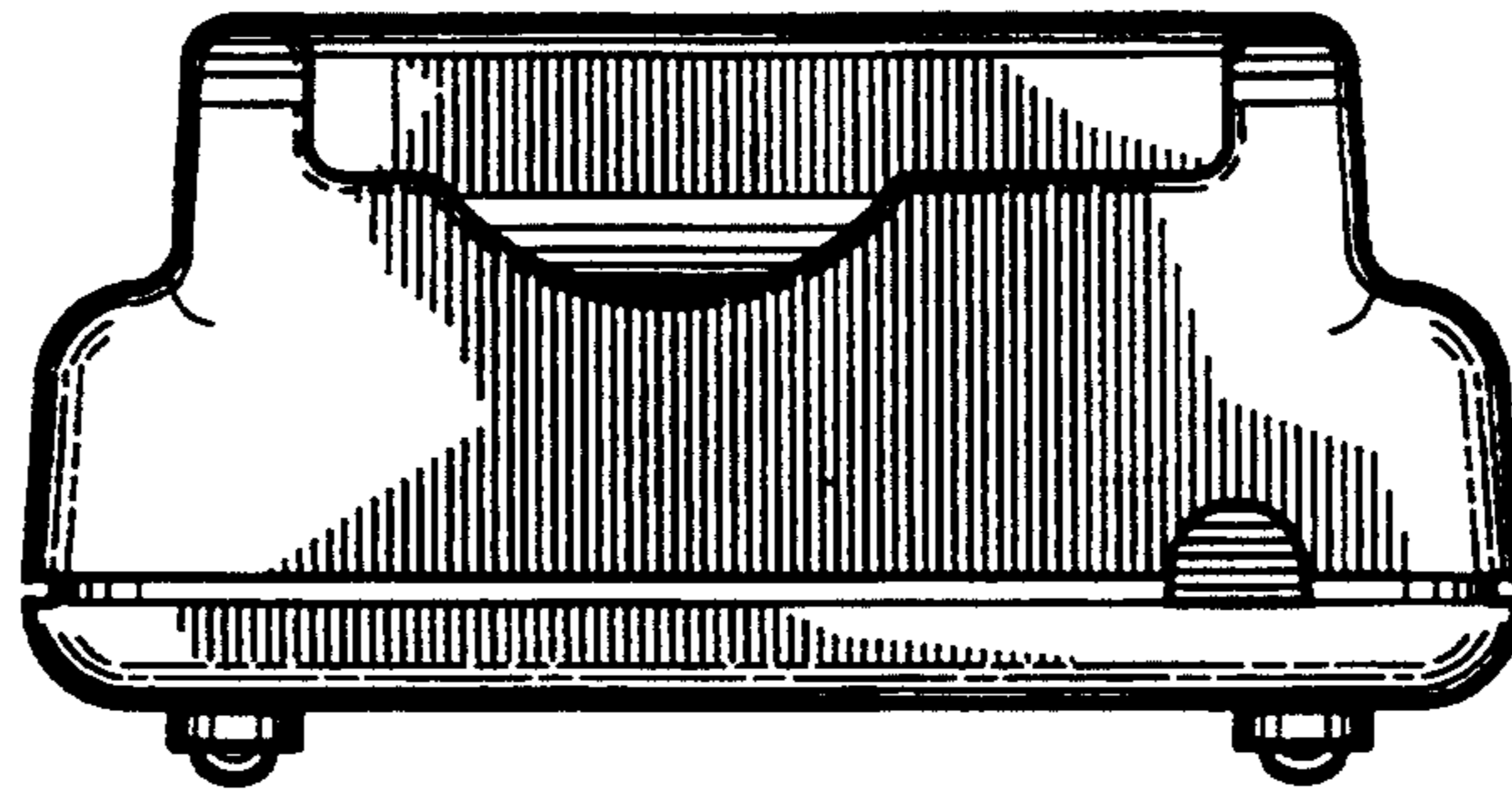
*FIG. 1*



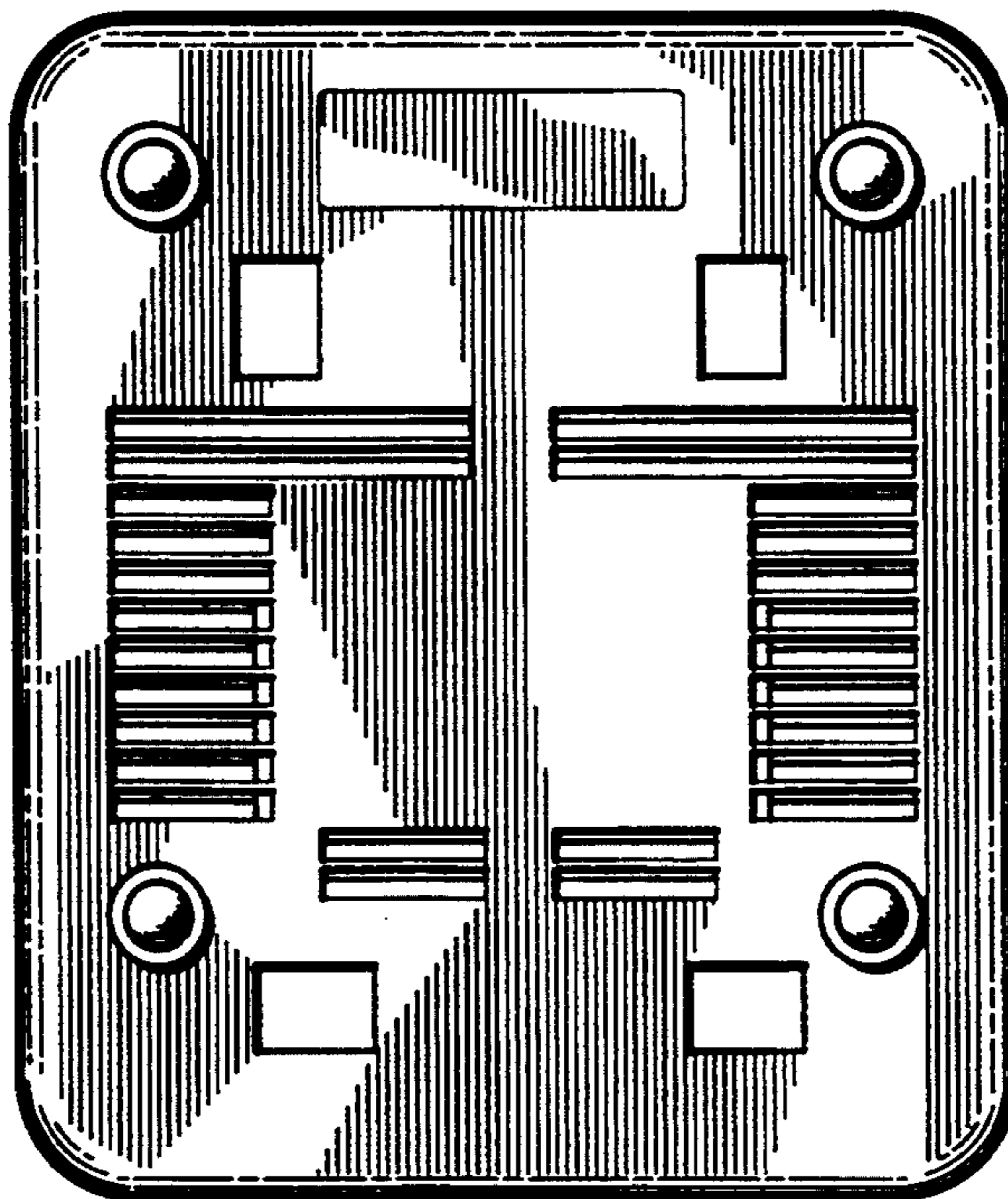
*FIG. 2*



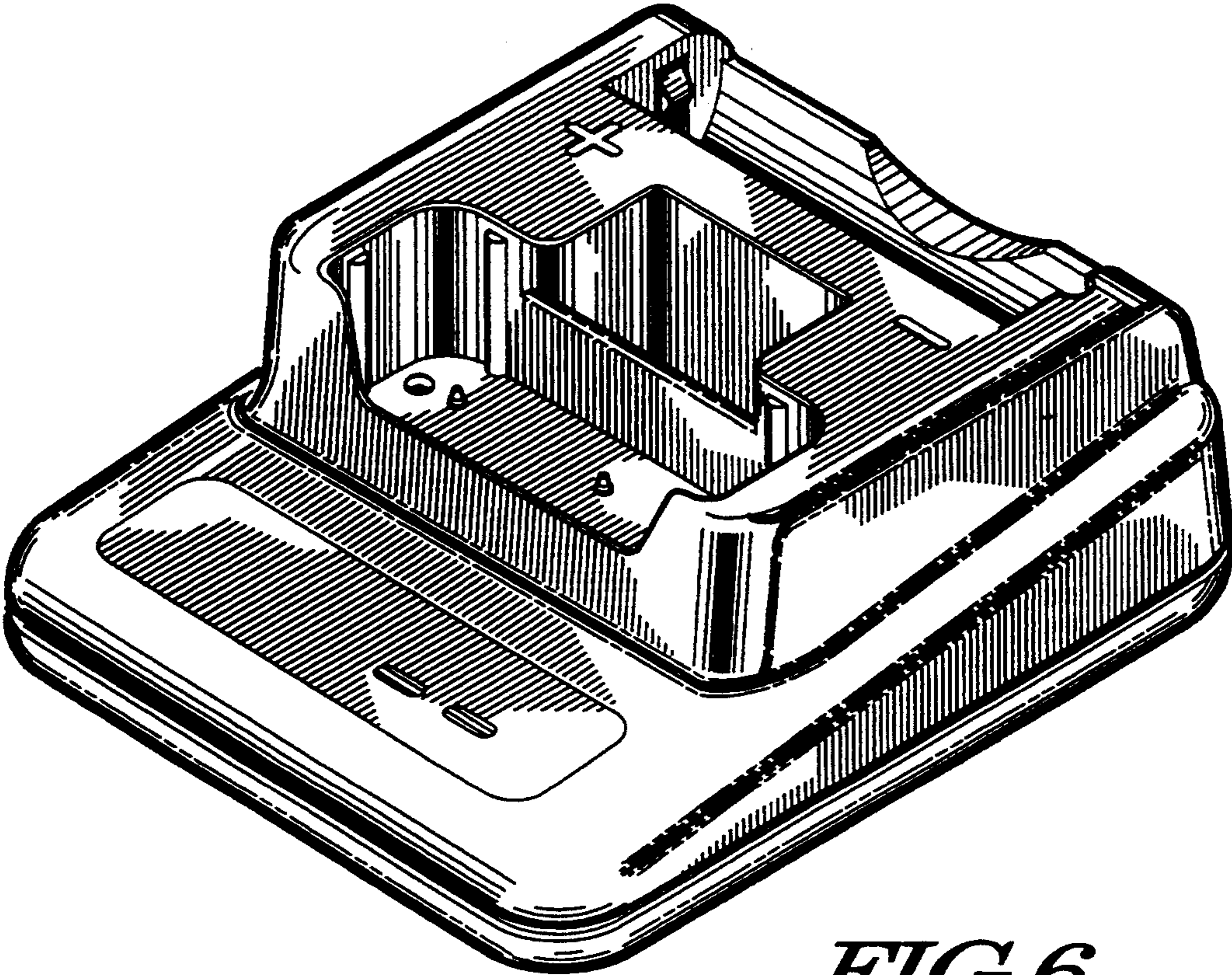
*FIG. 3*



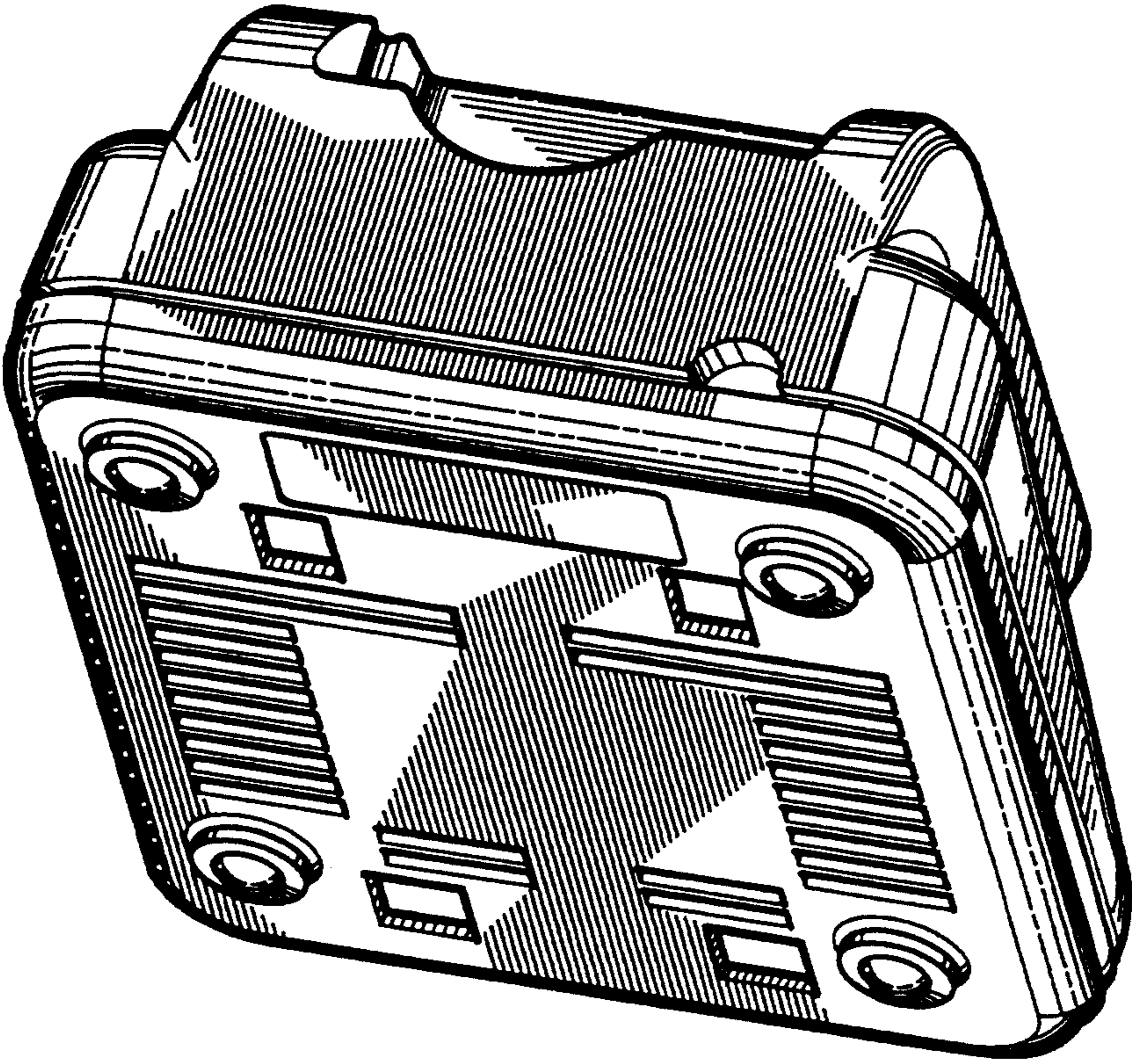
*FIG. 4*



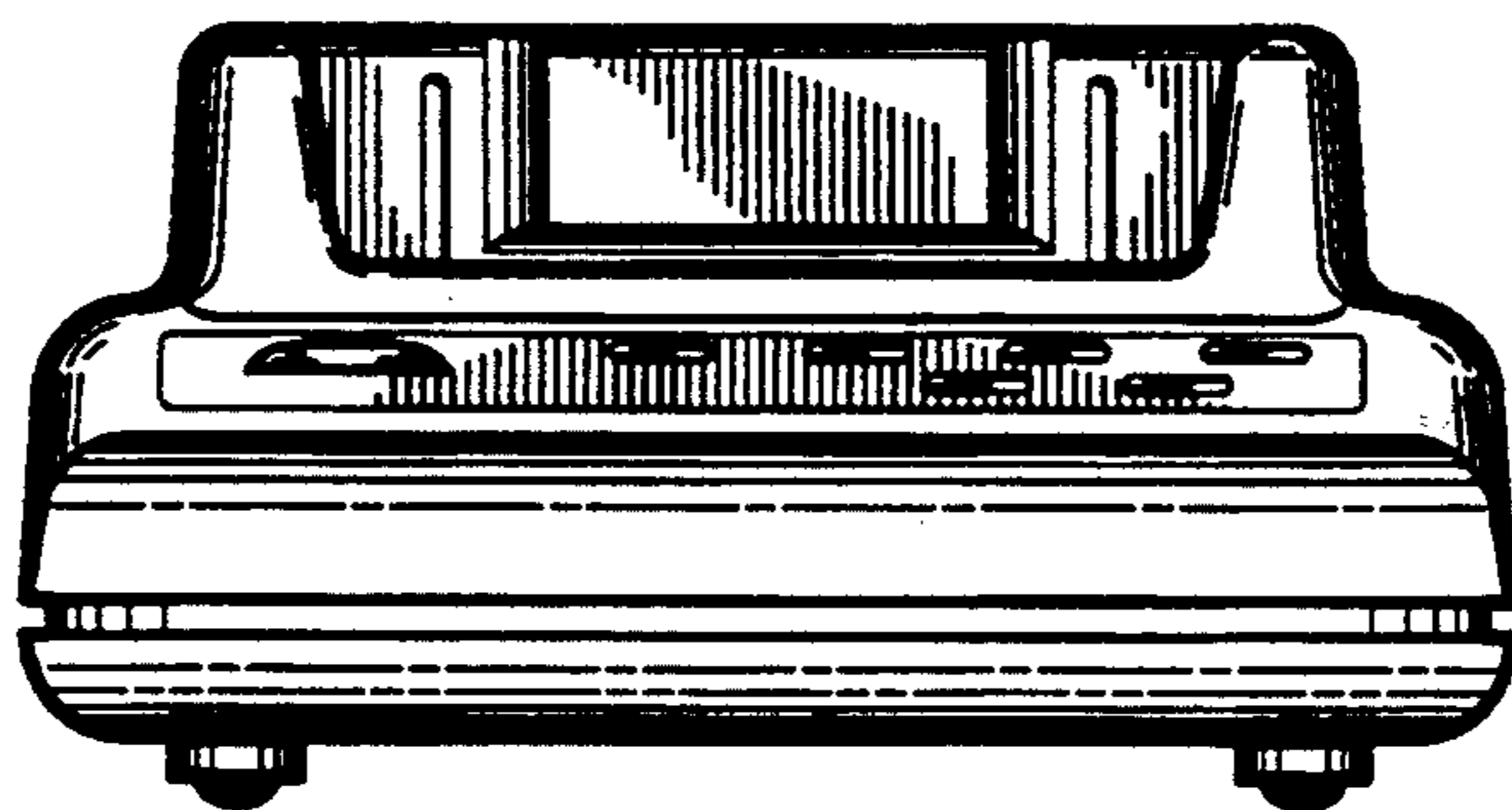
*FIG. 5*



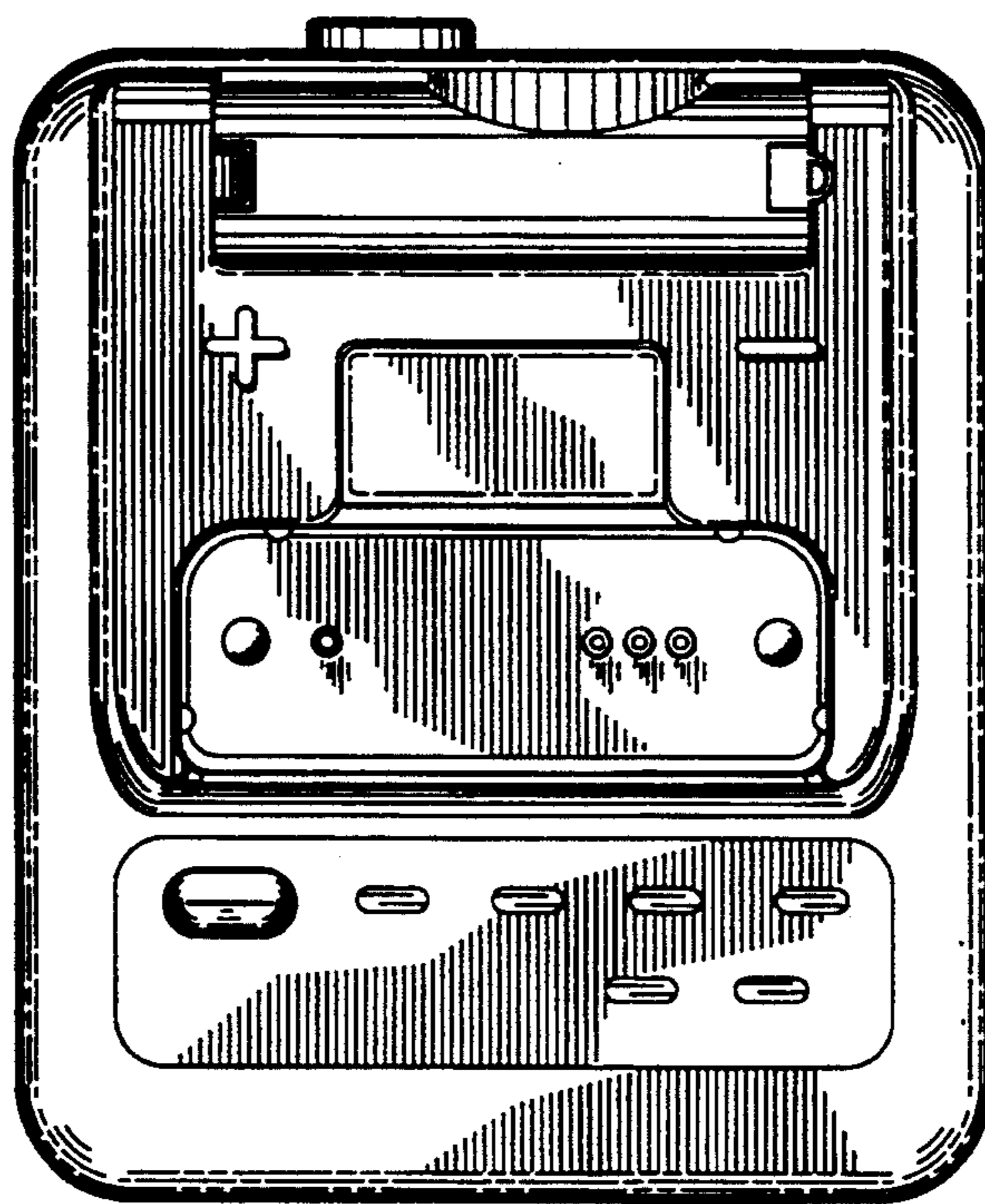
*FIG. 6*



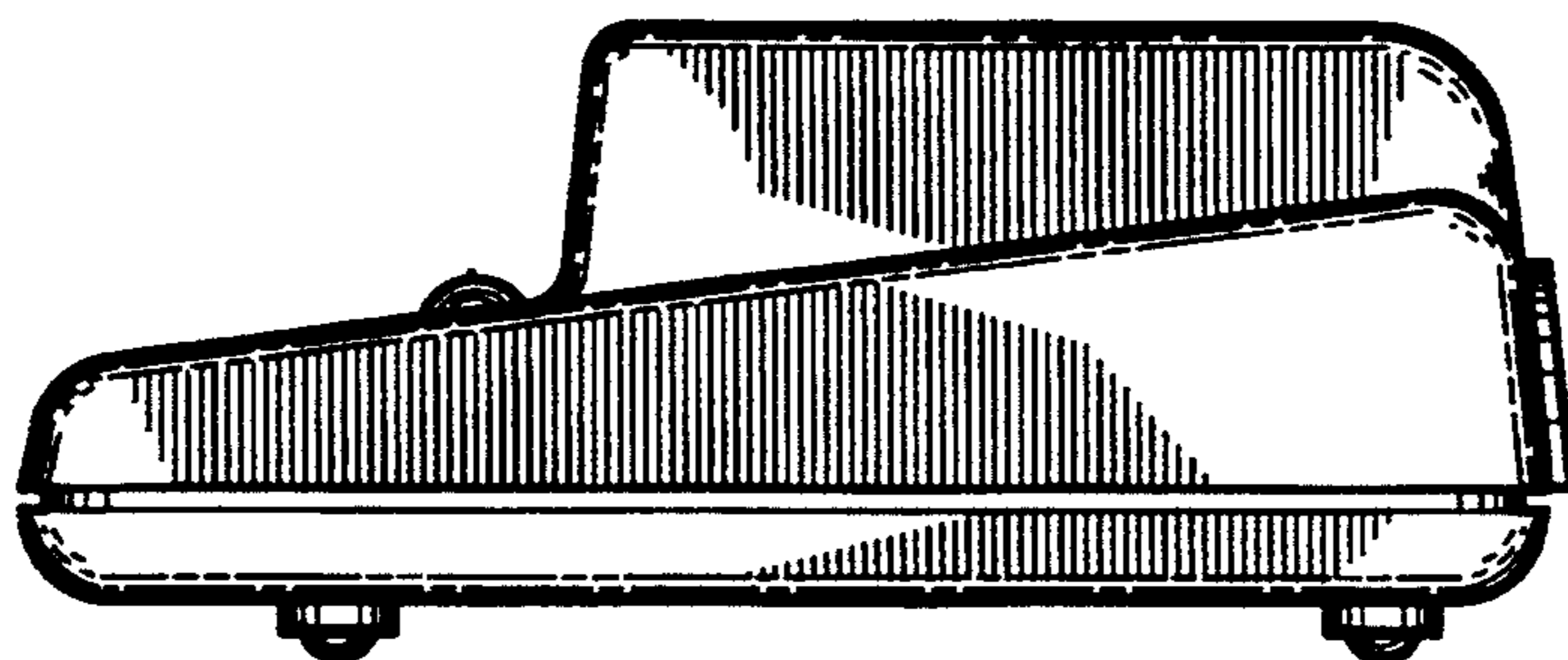
*FIG. 13*



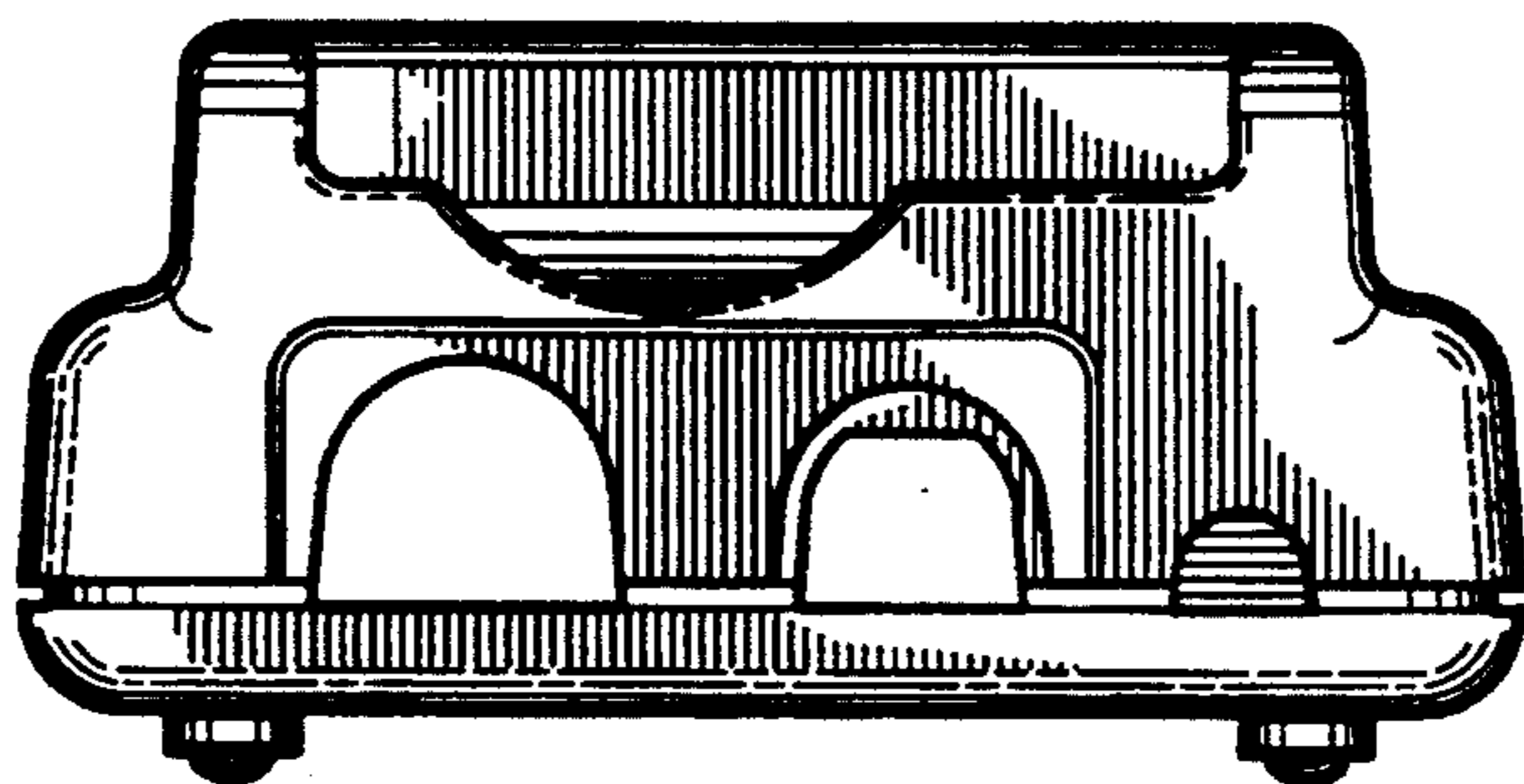
*FIG. 7*



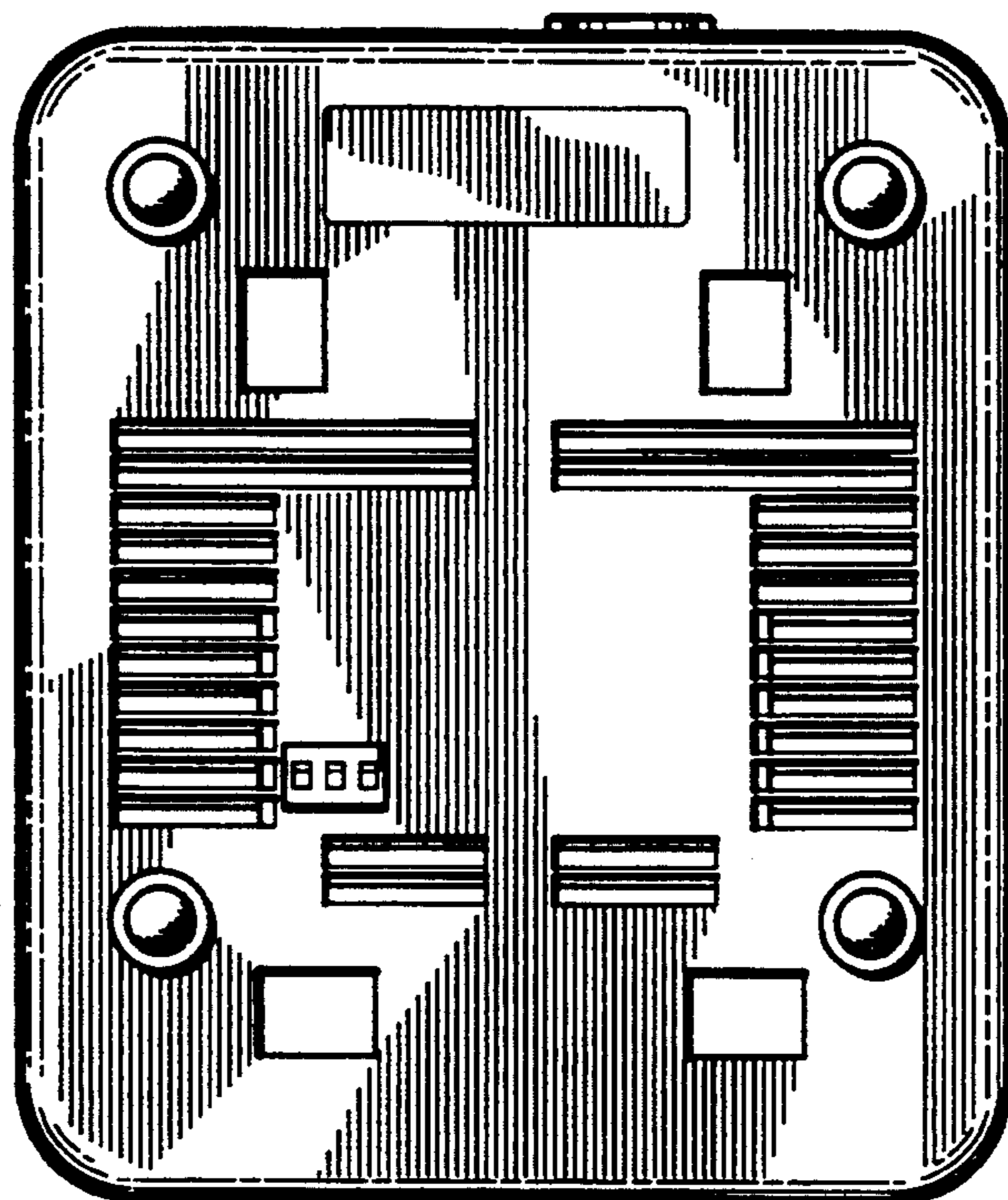
*FIG. 8*



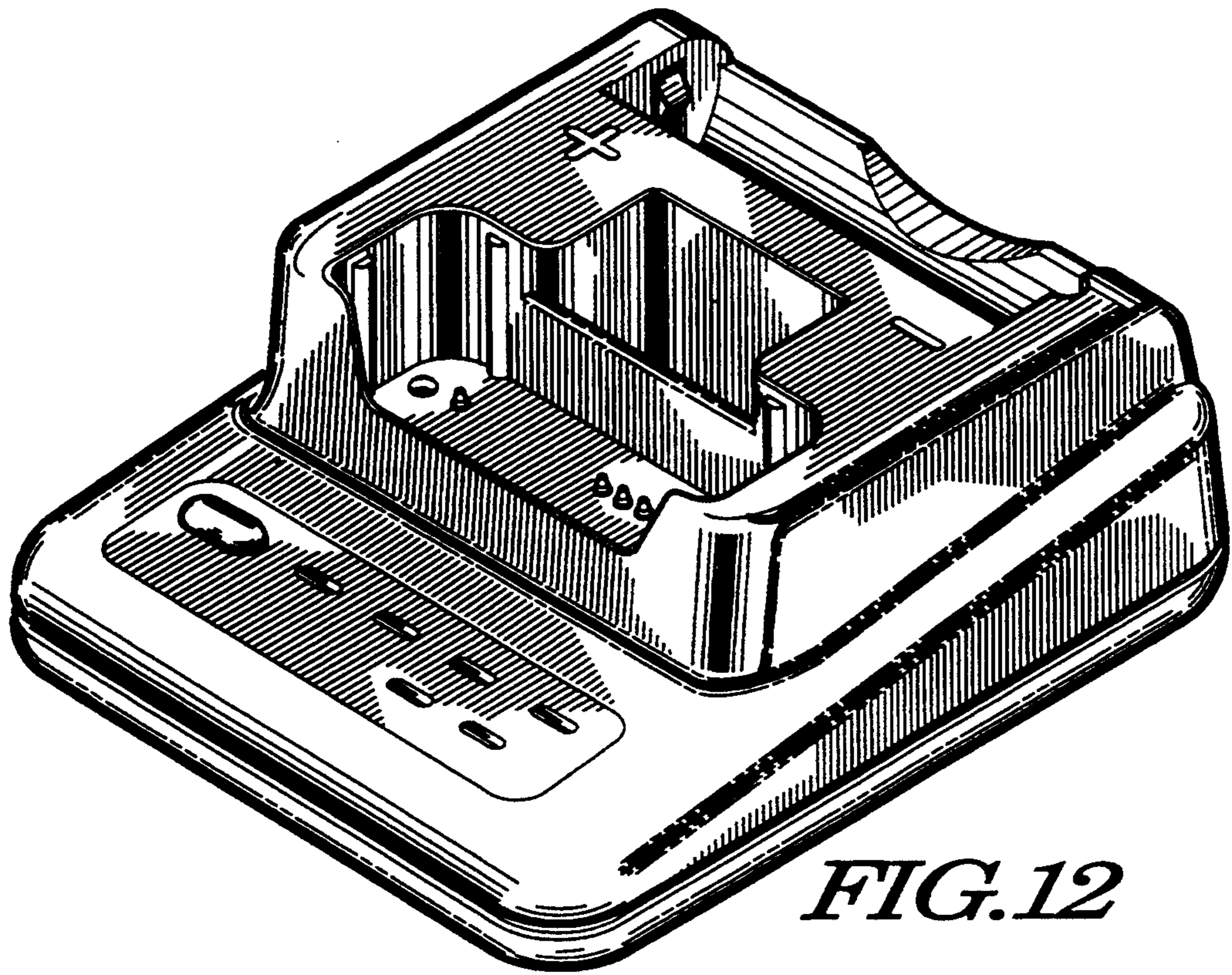
*FIG. 9*



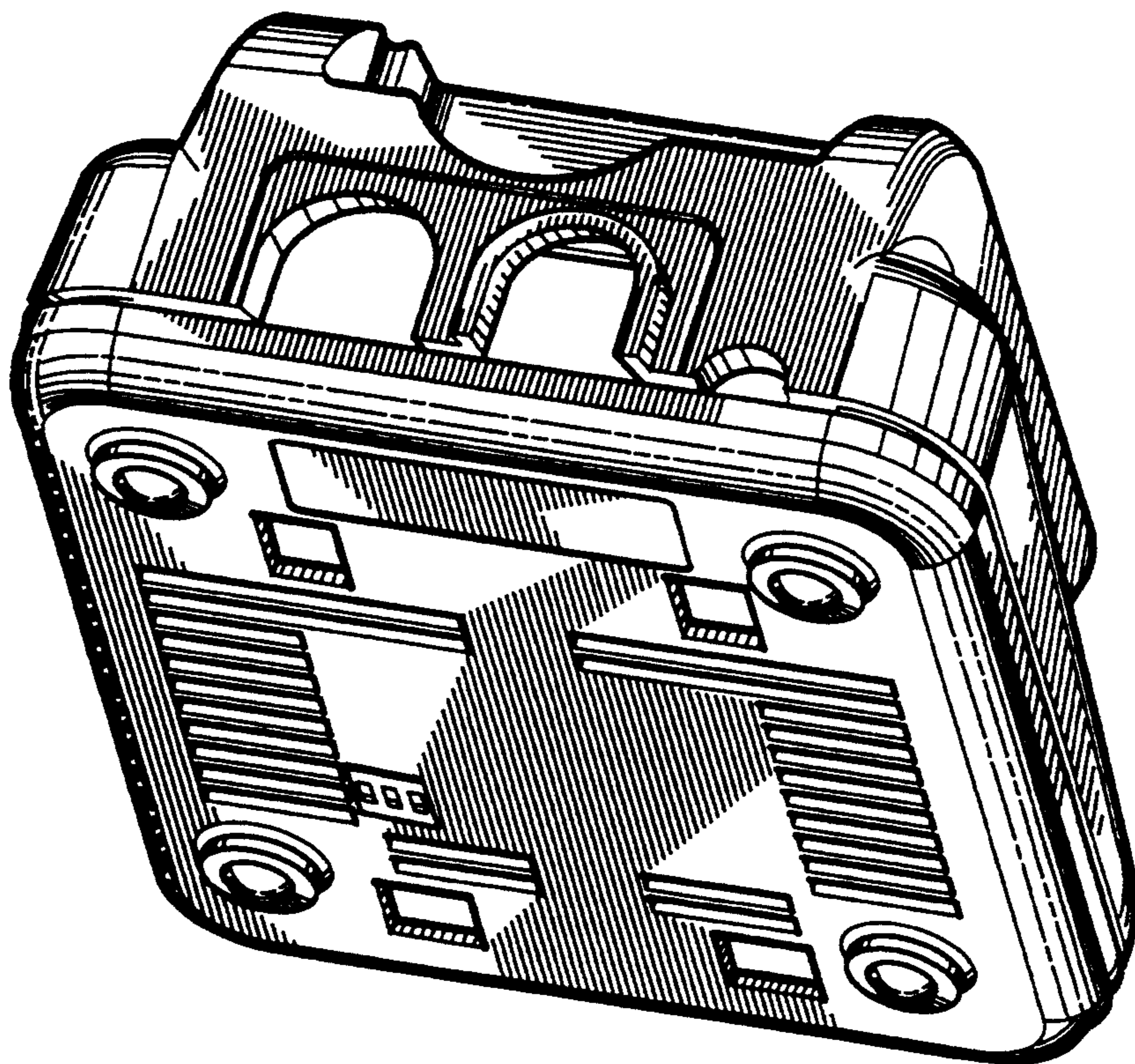
*FIG. 10*



*FIG. 11*



*FIG. 12*



*FIG. 14*