



US00D354037S

United States Patent [19]
Skirzynski

[11] **Patent Number: Des. 354,037**
[45] **Date of Patent: ** Jan. 3, 1995**

[54] **BICYCLE FAIRING**

[76] **Inventor: Martin L. Skirzynski, 7355 Bock Ave., Stanton, Calif. 90680**

[**] **Term: 14 Years**

[21] **Appl. No.: 2,914**

[22] **Filed: Dec. 22, 1992**

[52] **U.S. Cl. D12/182**

[58] **Field of Search D12/182; 296/78.1**

[56] **References Cited**

FOREIGN PATENT DOCUMENTS

0469919	3/1952	Italy	296/78.1
0560678	4/1957	Italy	296/78.1
0021311	8/1929	Netherlands	296/78.1
0113485	1/1926	Switzerland	296/78.1
0016783	9/1901	United Kingdom	296/78.1

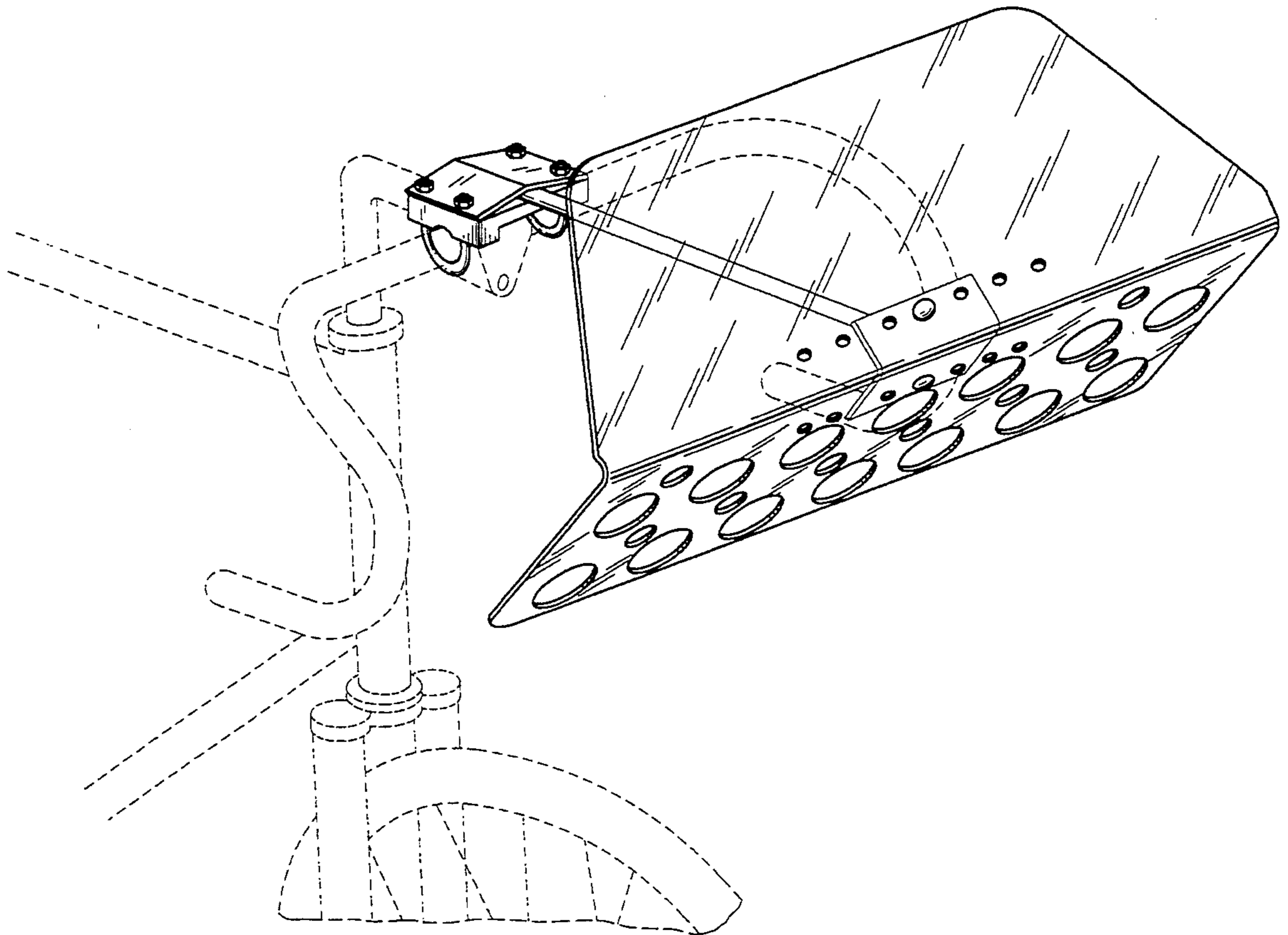
Primary Examiner—Wallace R. Burke
Assistant Examiner—M. Brown
Attorney, Agent, or Firm—Hawes & Fischer

[57] **CLAIM**

The ornamental design for a bicycle fairing, as shown.

DESCRIPTION

FIG. 1 is a perspective view of a bicycle fairing showing my new design, it being understood that the broken lines are for illustrative purposes only and form no part of the claimed design;
FIG. 2 is a front elevational view thereof;
FIG. 3 is a right side elevational view thereof, the left side view being the mirror image of the right side view;
FIG. 4 is a rear elevational view thereof;
FIG. 5 is a top view thereof;
FIG. 6 is a bottom view thereof;
FIG. 7 is a front elevational view of a bicycle fairing showing a second embodiment of my new design;
FIG. 8 is a right side elevational view of FIG. 7, the left side view being the mirror image of the right side view;
FIG. 9 is a rear elevational view of FIG. 7;
FIG. 10 is a top view of FIG. 7; and,
FIG. 11 is a bottom view of FIG. 7.



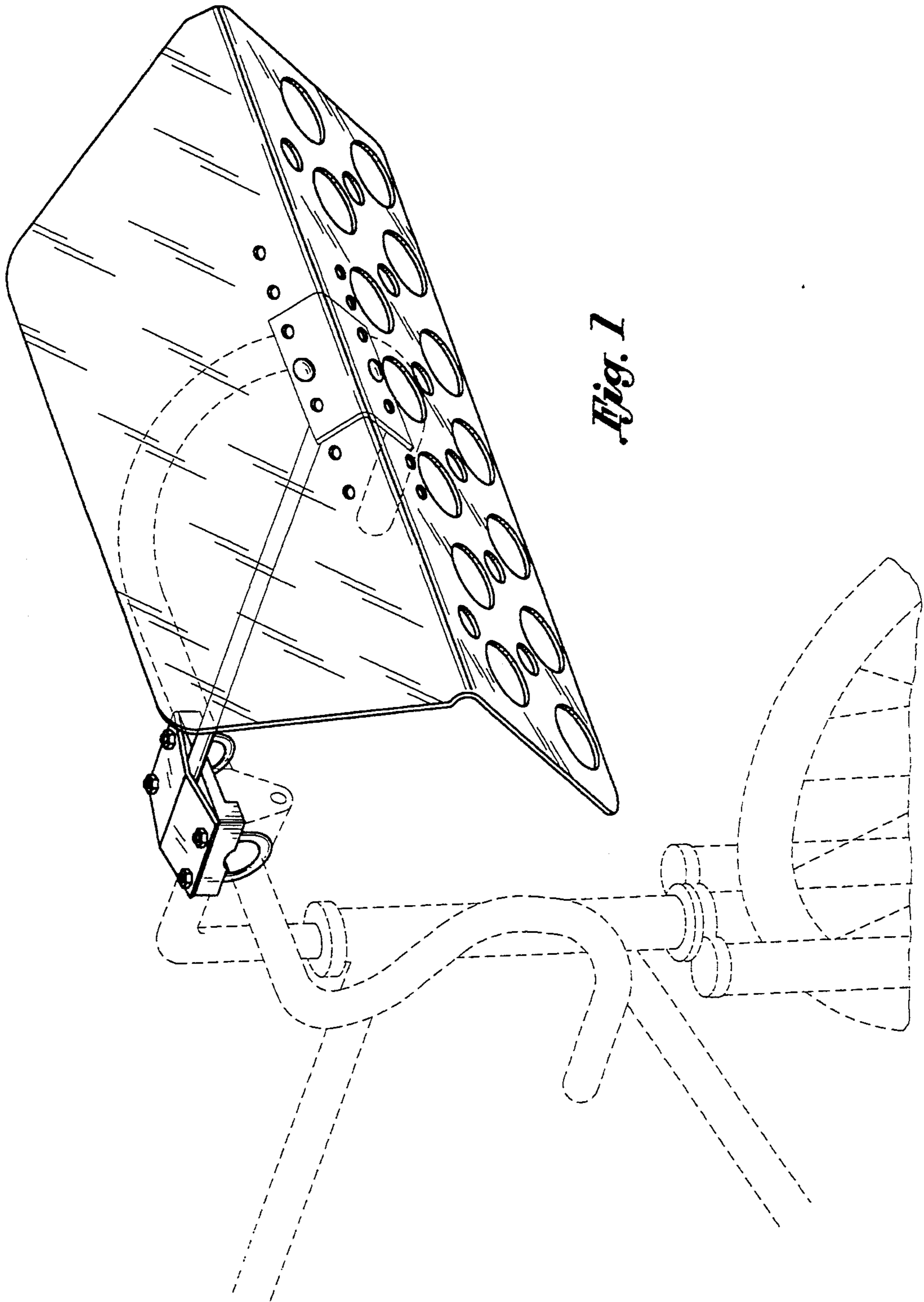


Fig. 1

Fig. 2

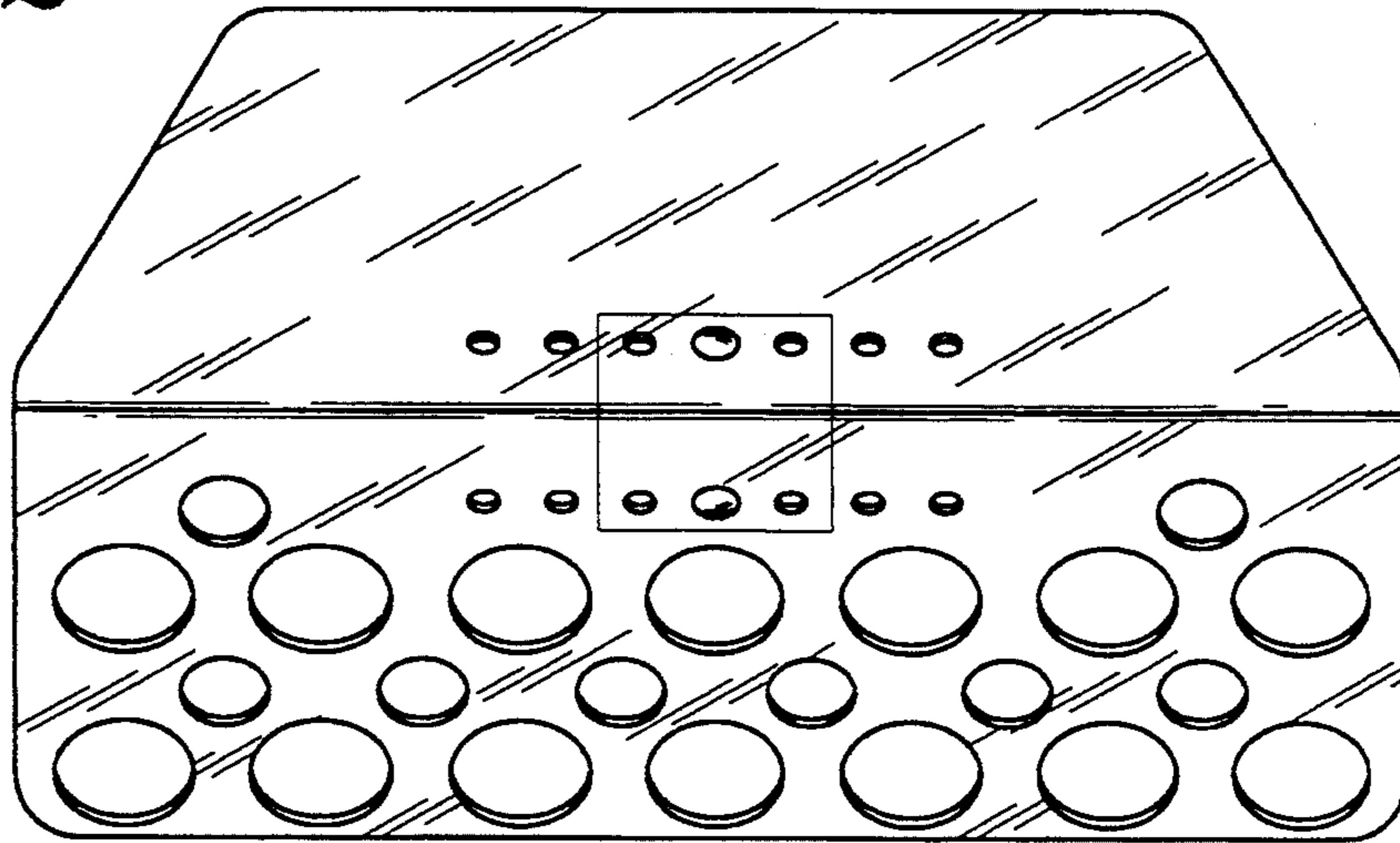


Fig. 3

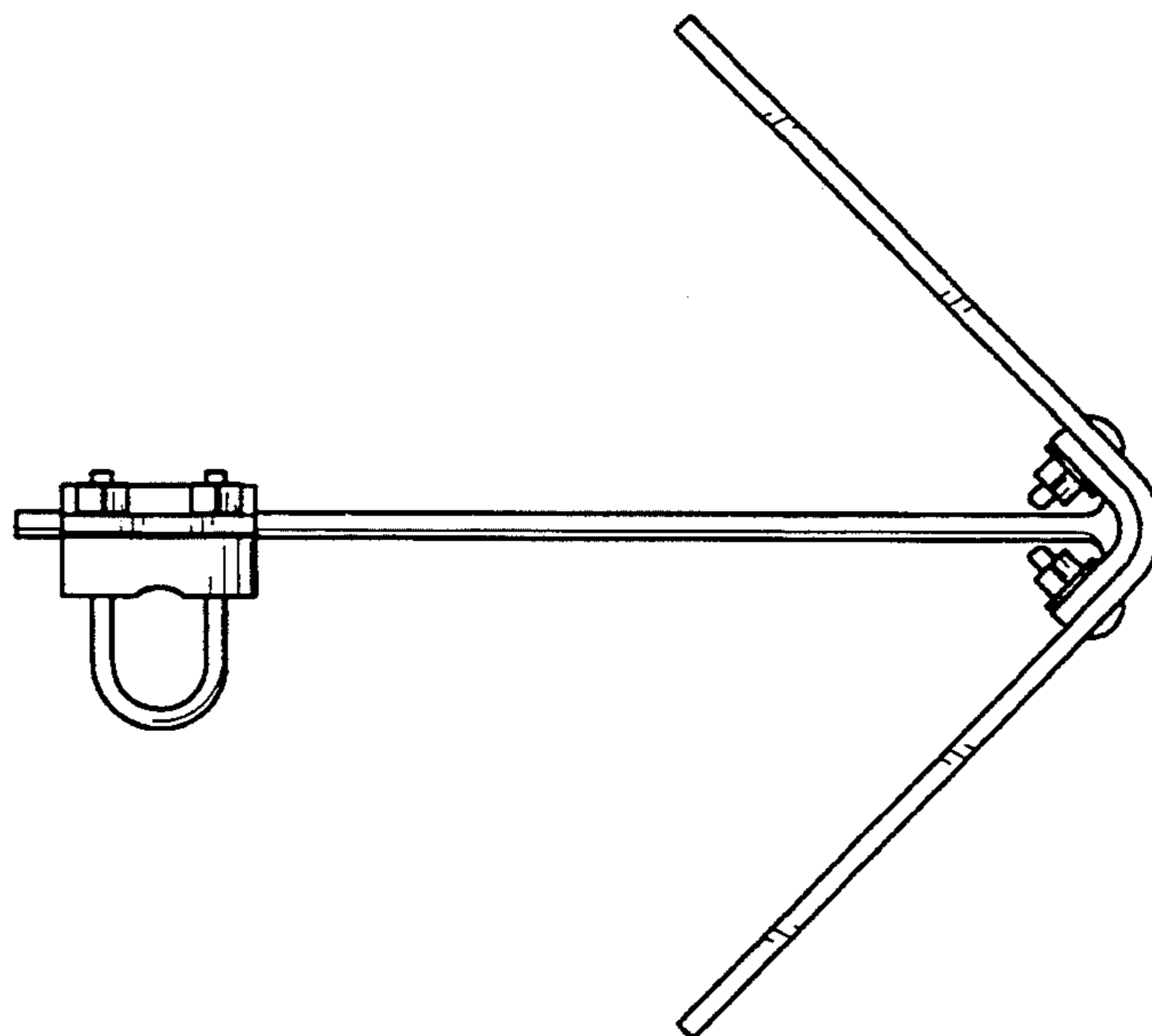


Fig. 4

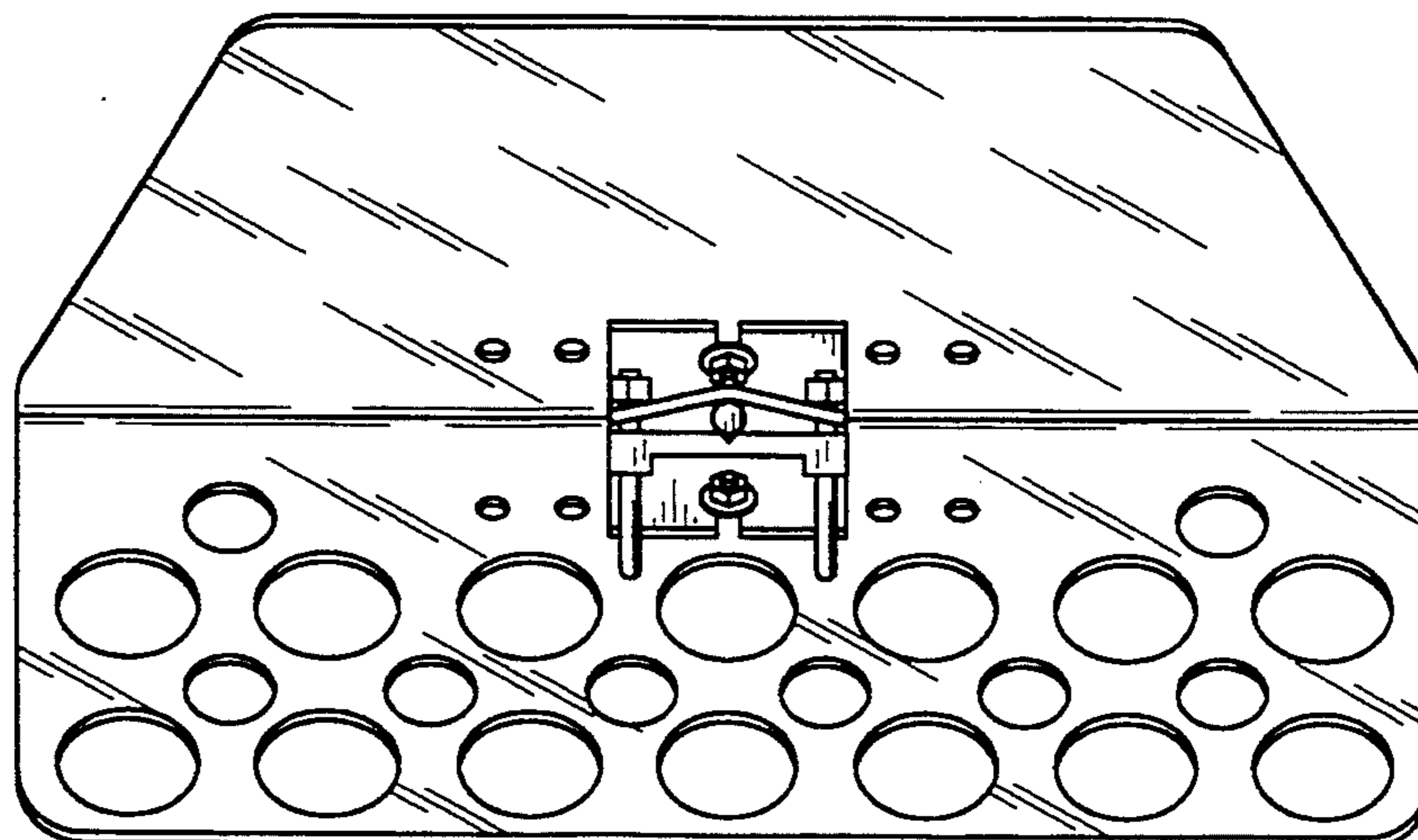


Fig. 5

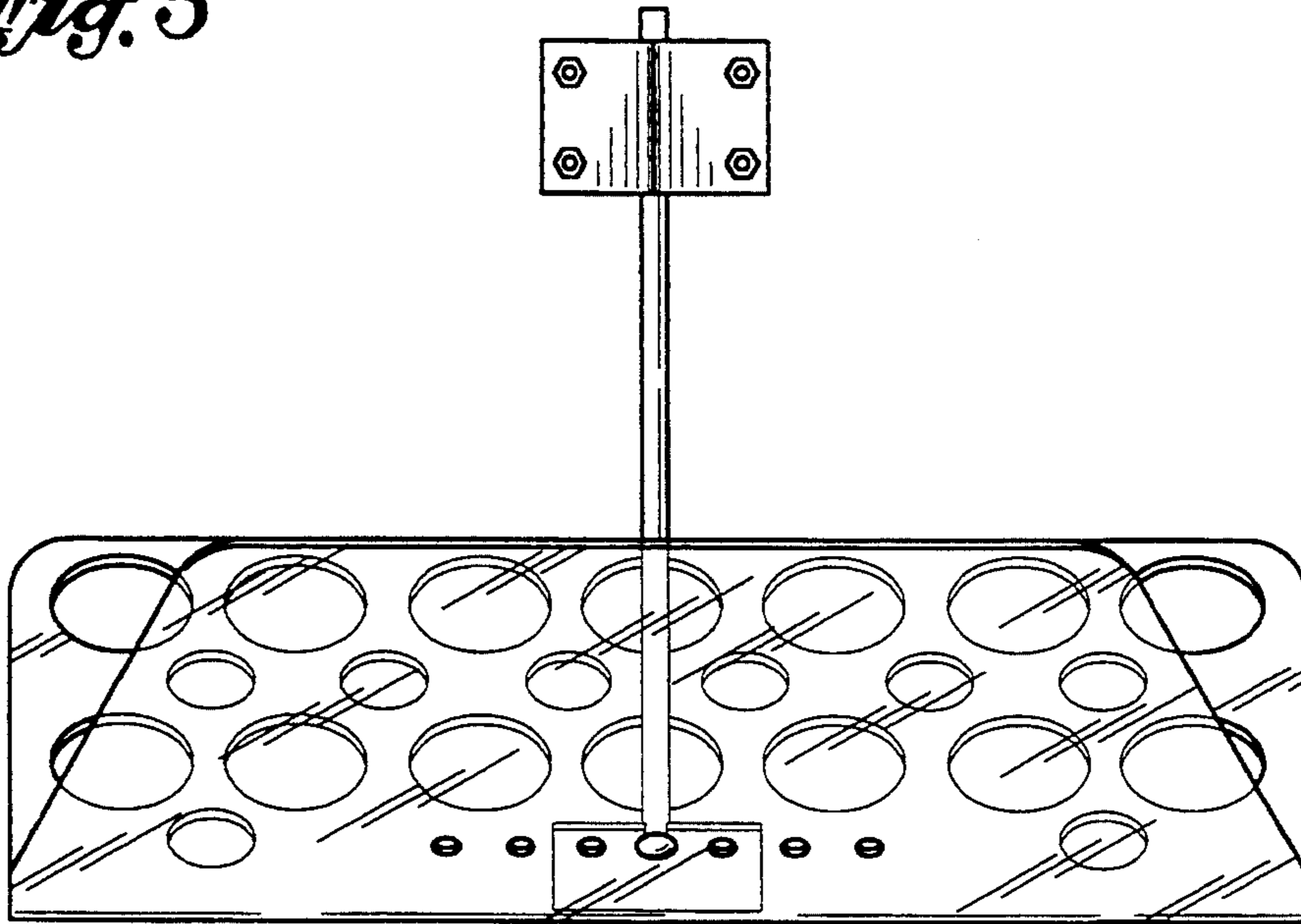


Fig. 6

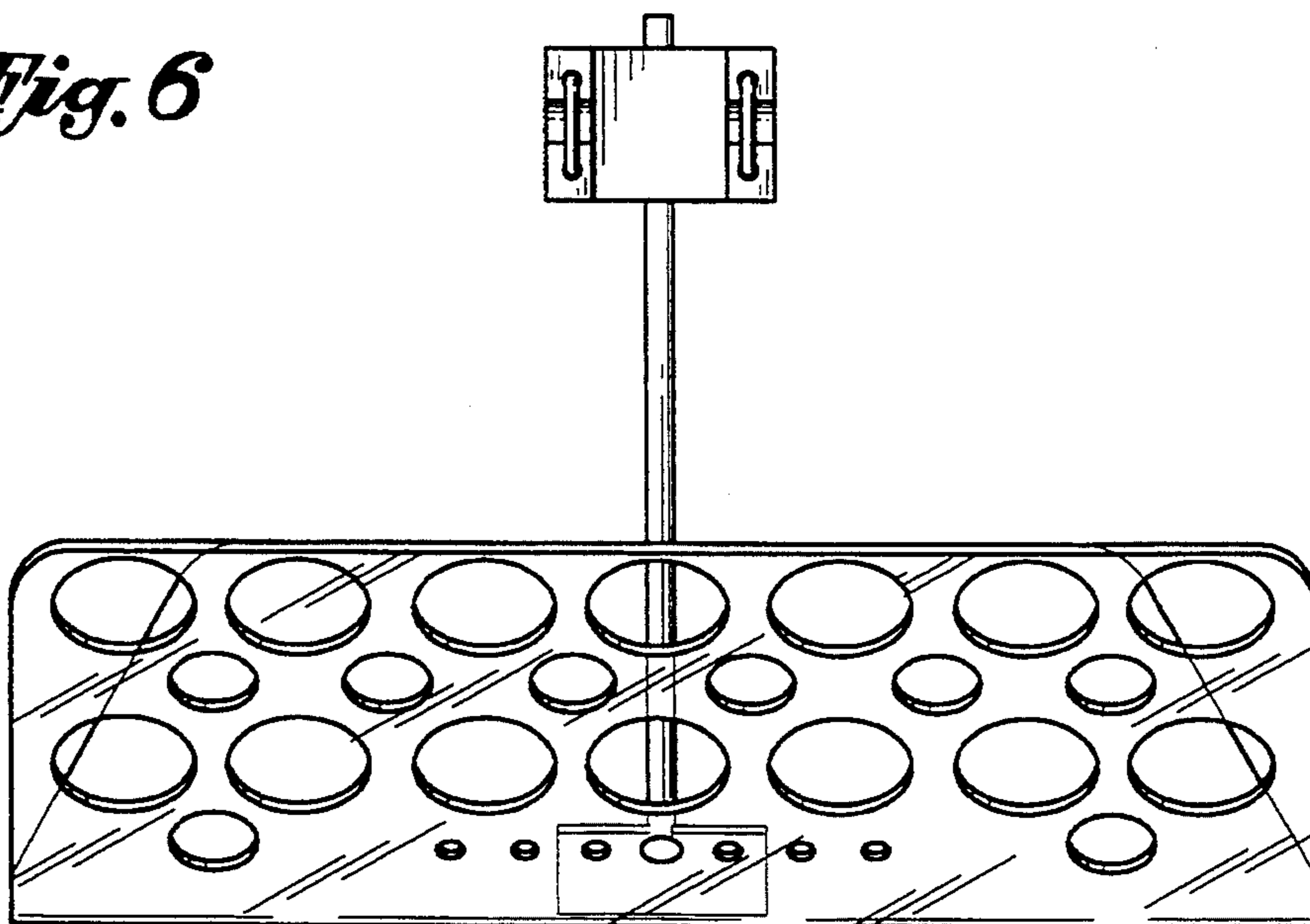


Fig. 7

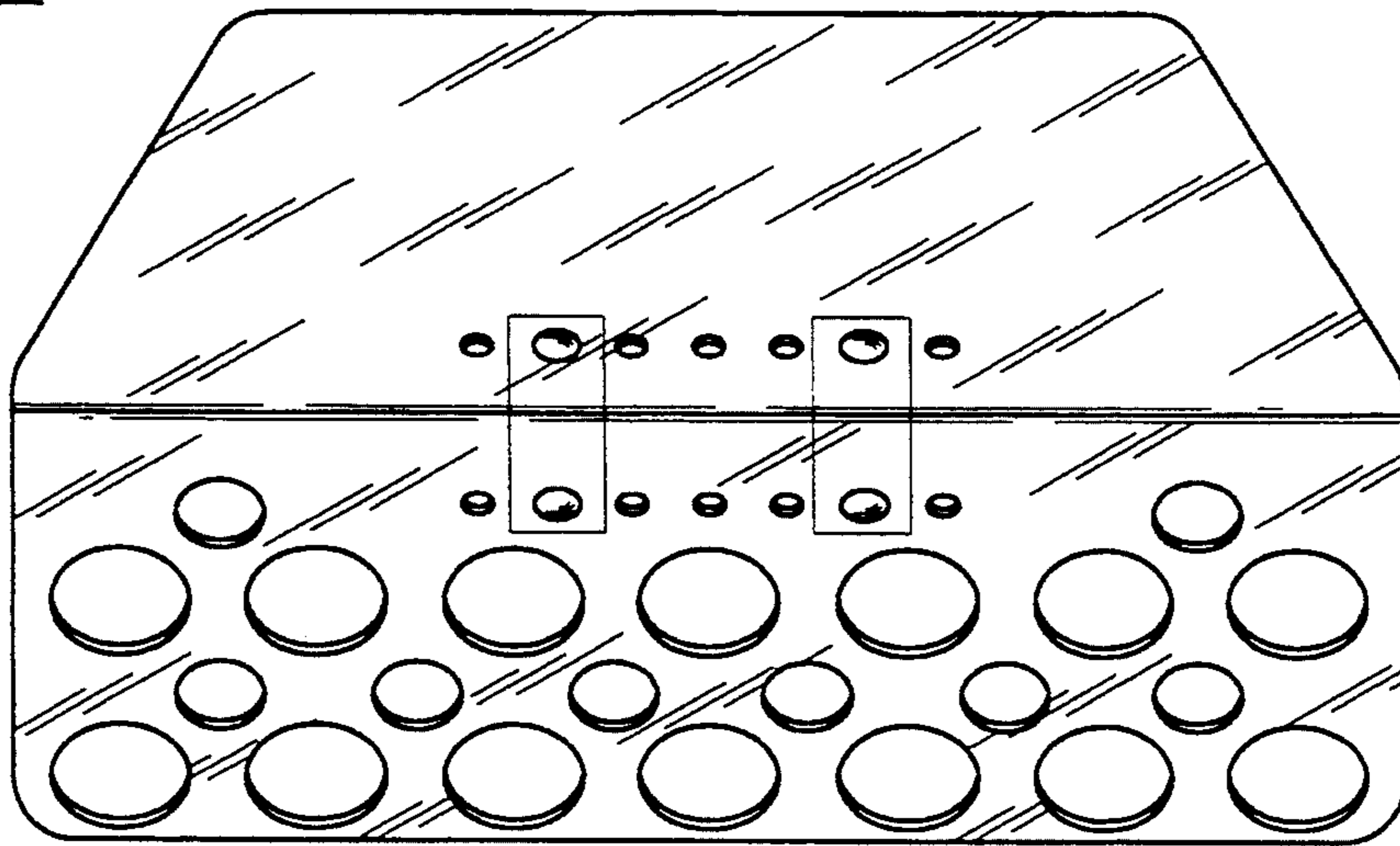


Fig. 8

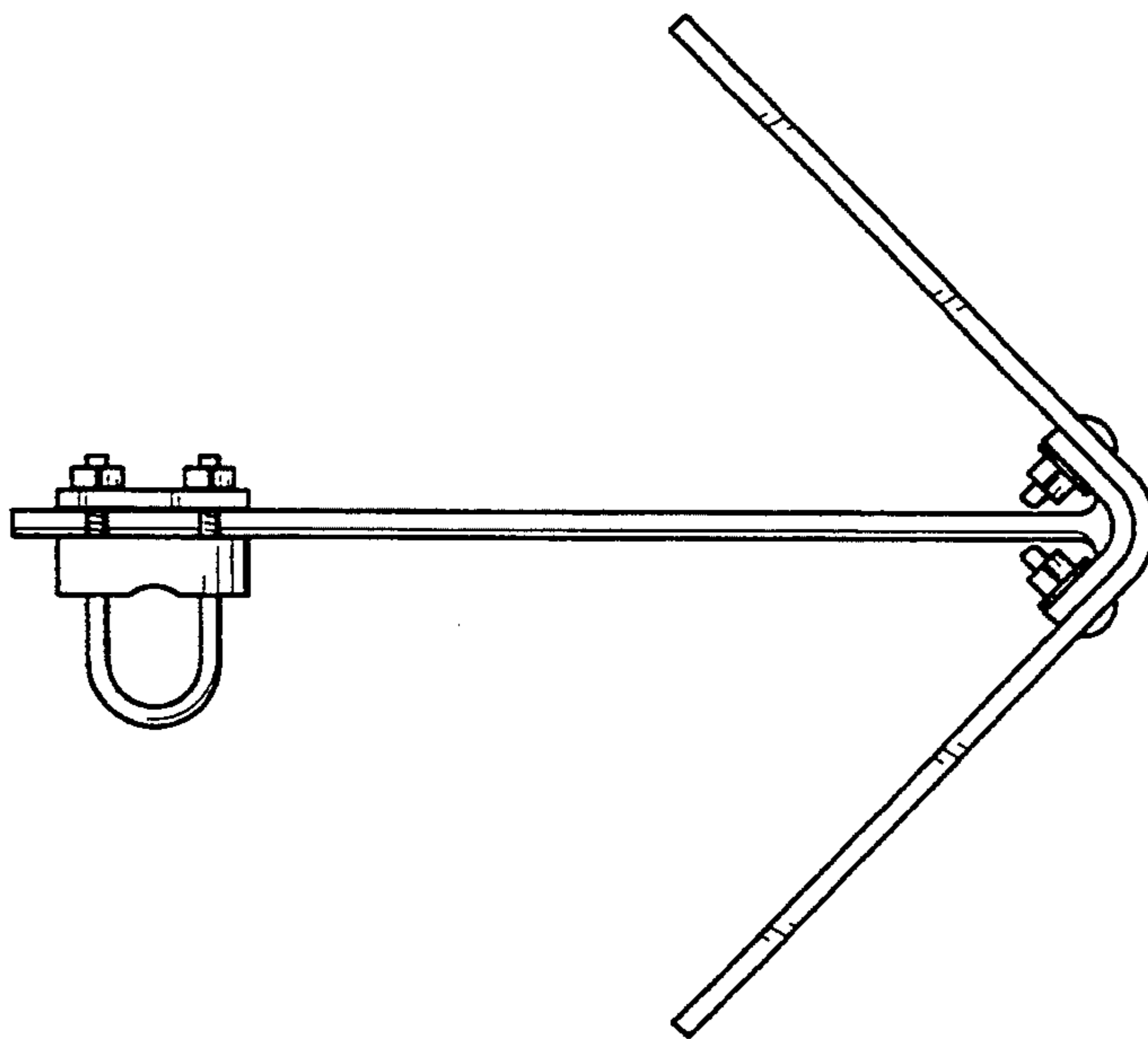


Fig. 9

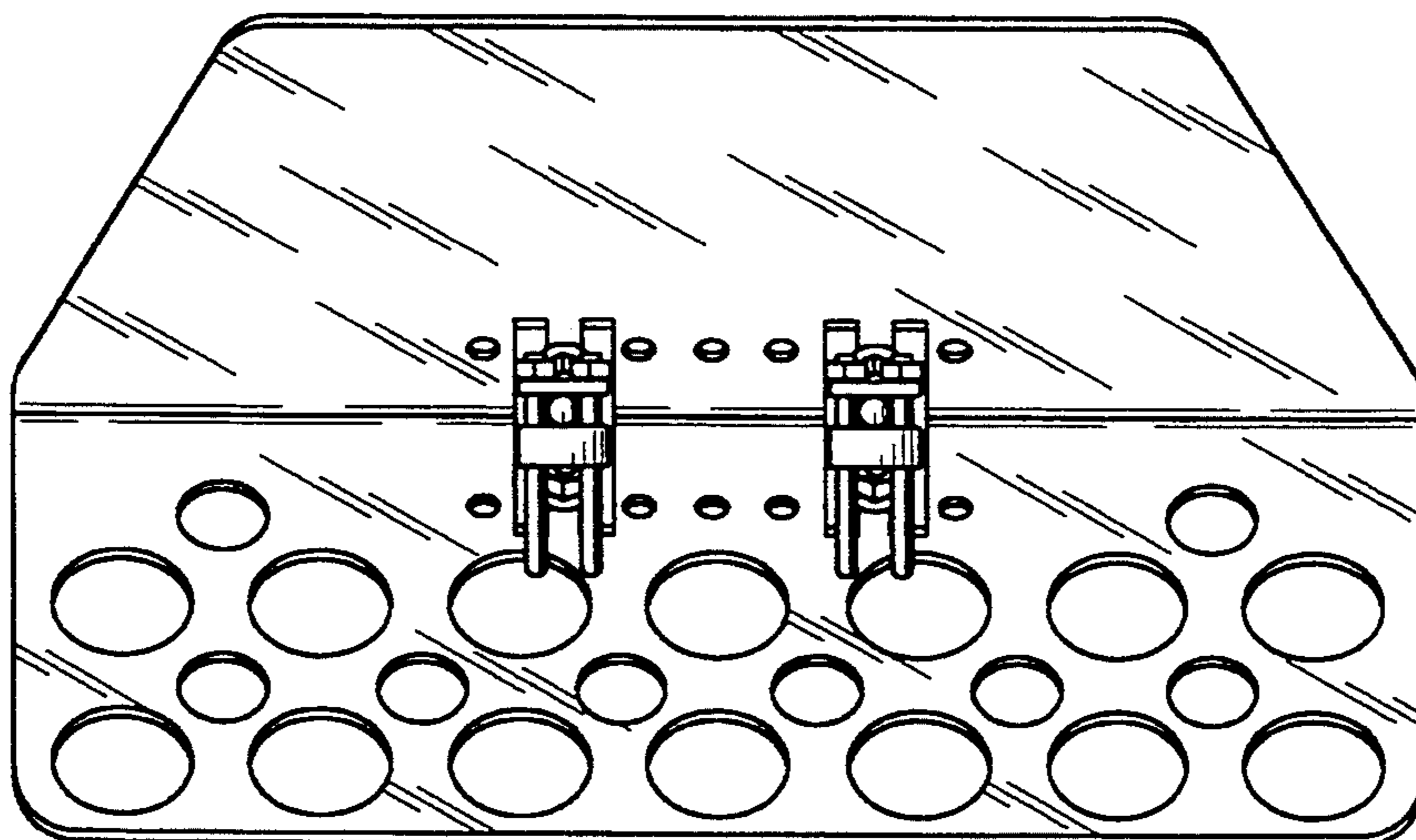


Fig. 10

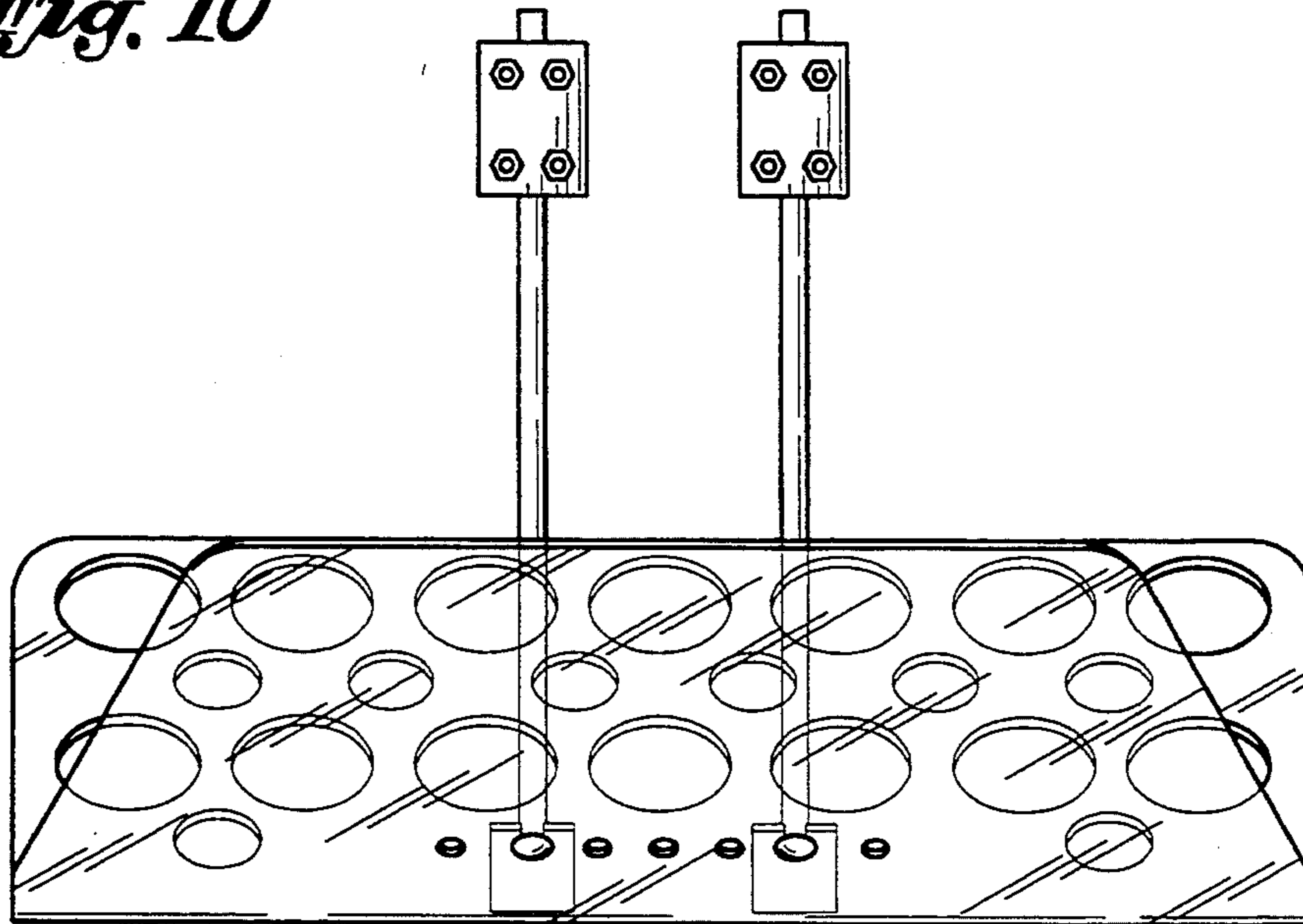


Fig. 11

