



US00D354023S

# United States Patent [19]

[11] Patent Number: **Des. 354,023**

Romesburg

[45] Date of Patent: **\*\* Jan. 3, 1995**

[54] **SMALL HORSE TRAILER**

[76] Inventor: **R. Bruce Romesburg**, 11 Apple Hill, Sandy, Utah 84092

[\*\*] Term: **14 Years**

[21] Appl. No.: **1,483**

[22] Filed: **Nov. 16, 1992**

[52] U.S. Cl. .... **D12/102**

[58] Field of Search ..... **D12/101, 103, 104; 296/136, 160; 280/418.6, 475**

[56] **References Cited**

**U.S. PATENT DOCUMENTS**

- D. 242,851 12/1976 Sakow ..... D12/103
- D. 258,949 4/1981 White ..... D12/103
- D. 314,165 1/1991 Sandey ..... D12/103

**OTHER PUBLICATIONS**

Design, 1980, p. 60, the British caravans.

*Primary Examiner*—Wallace R. Burke

*Assistant Examiner*—Melody N. Brown  
*Attorney, Agent, or Firm*—K. S. Cornaby

[57] **CLAIM**

The ornamental design for a horse trailer substantially, as shown and described.

**DESCRIPTION**

FIG. 1 is a perspective view of a horse trailer showing my new design;

FIG. 2 is a top view of the small horse trailer depicted in FIG. 1;

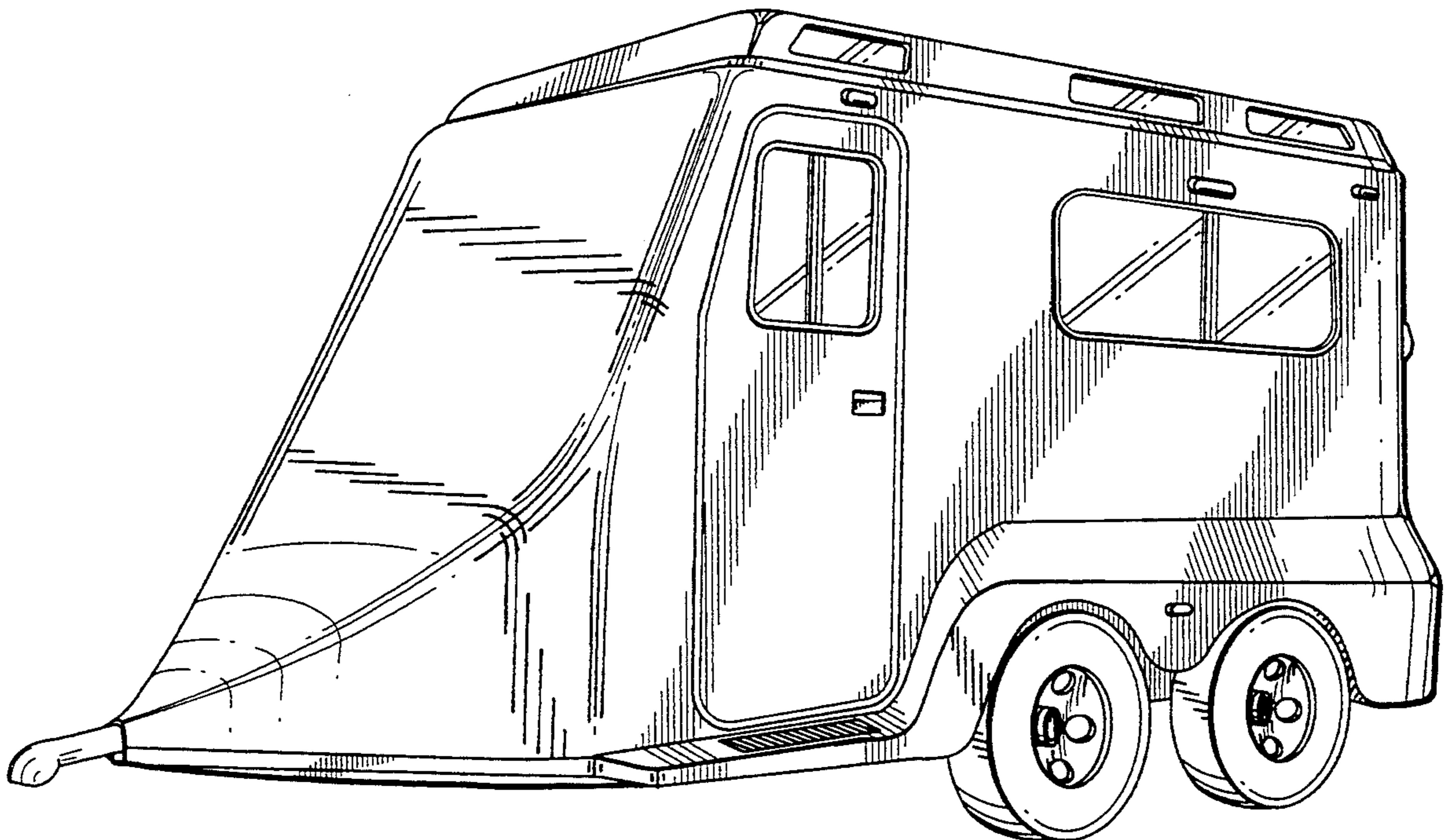
FIG. 3 is a right side view of the small horse trailer depicted in FIG. 1;

FIG. 4 is a bottom view of the large horse trailer depicted in FIG. 1;

FIG. 5 is a front view of the small horse trailer depicted in FIG. 1; and,

FIG. 6 is a back view of the large horse trailer depicted in FIG. 1.

The left side view of the small horse trailer is a mirror image of the right side view.



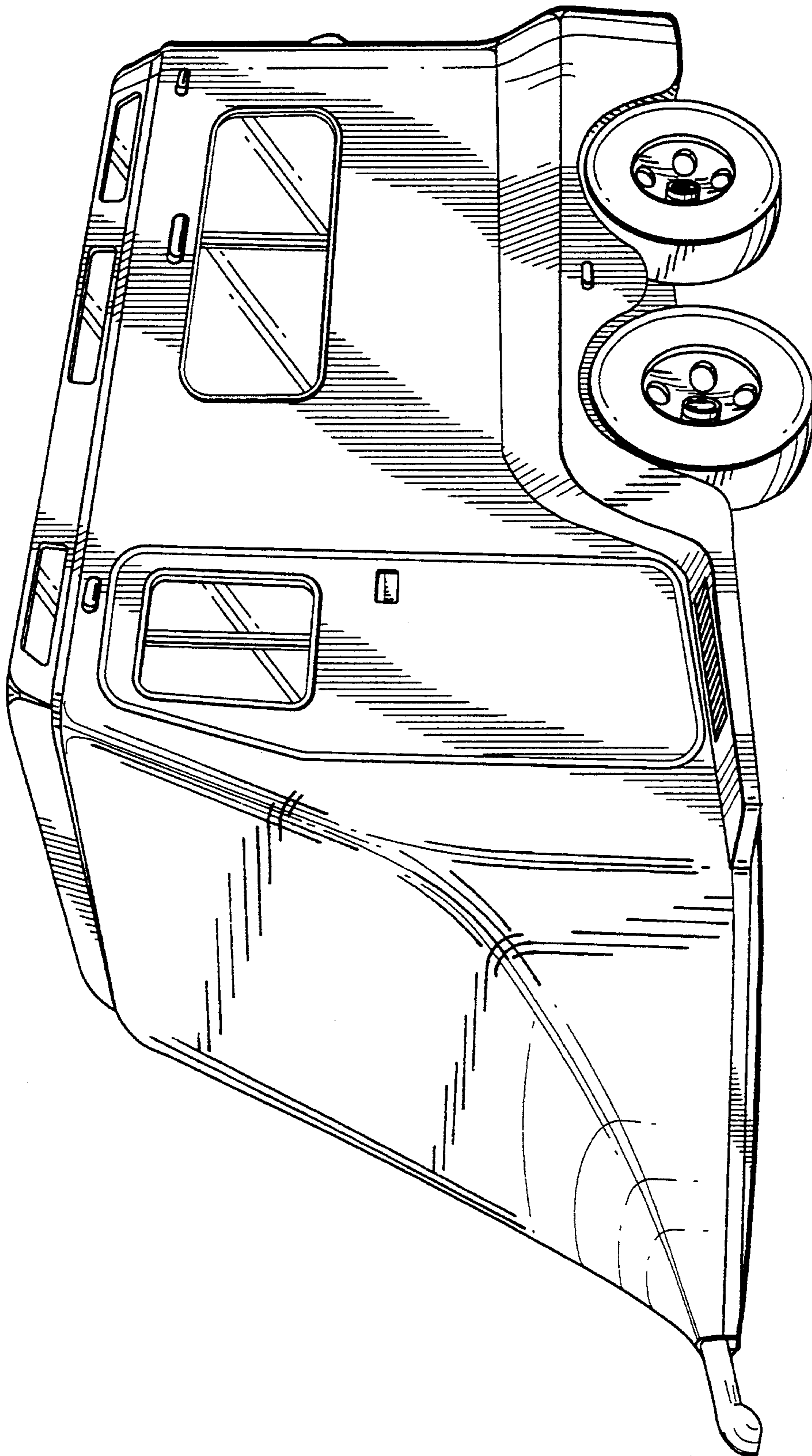


FIG. 1

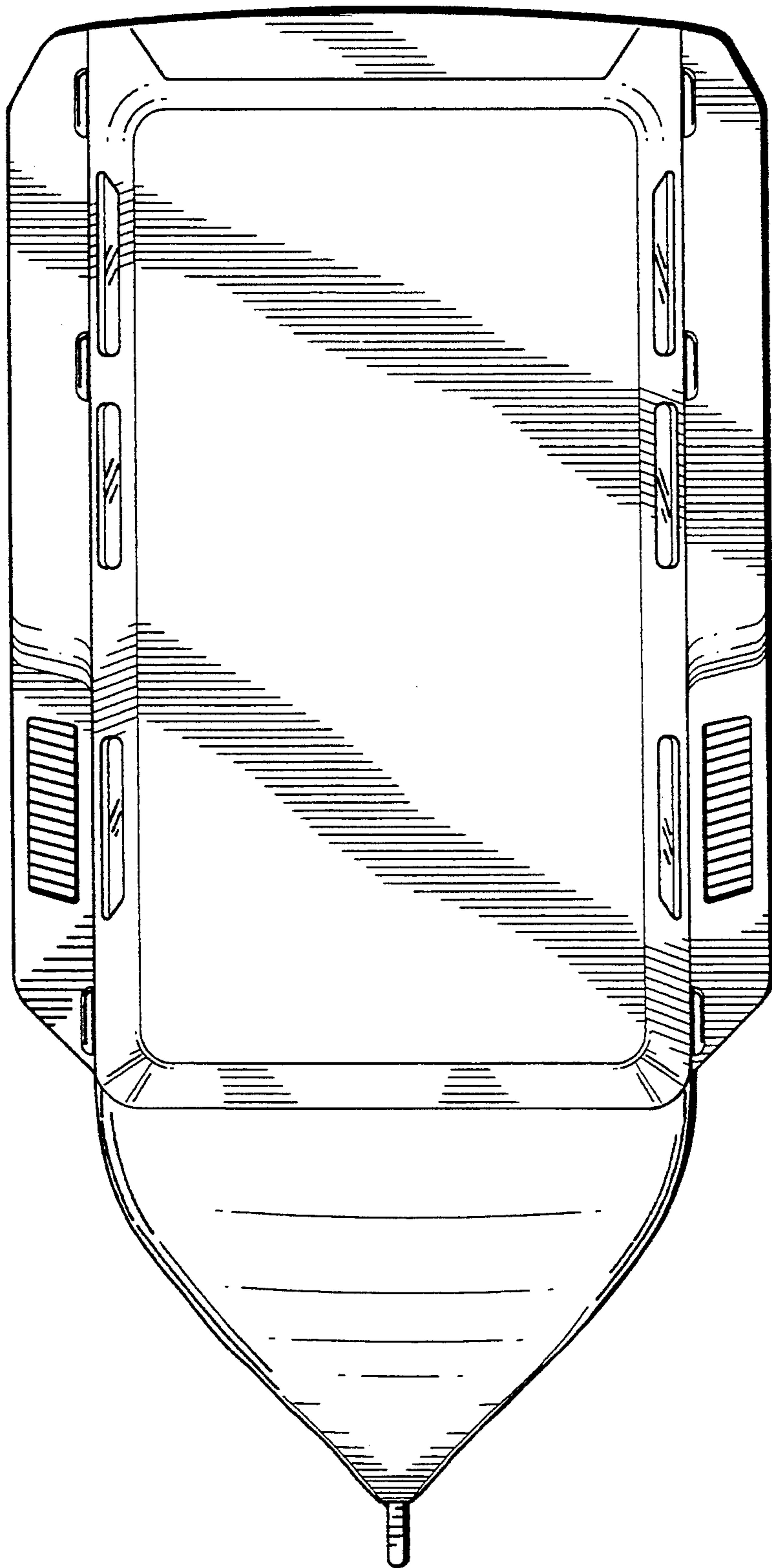


FIG. 2



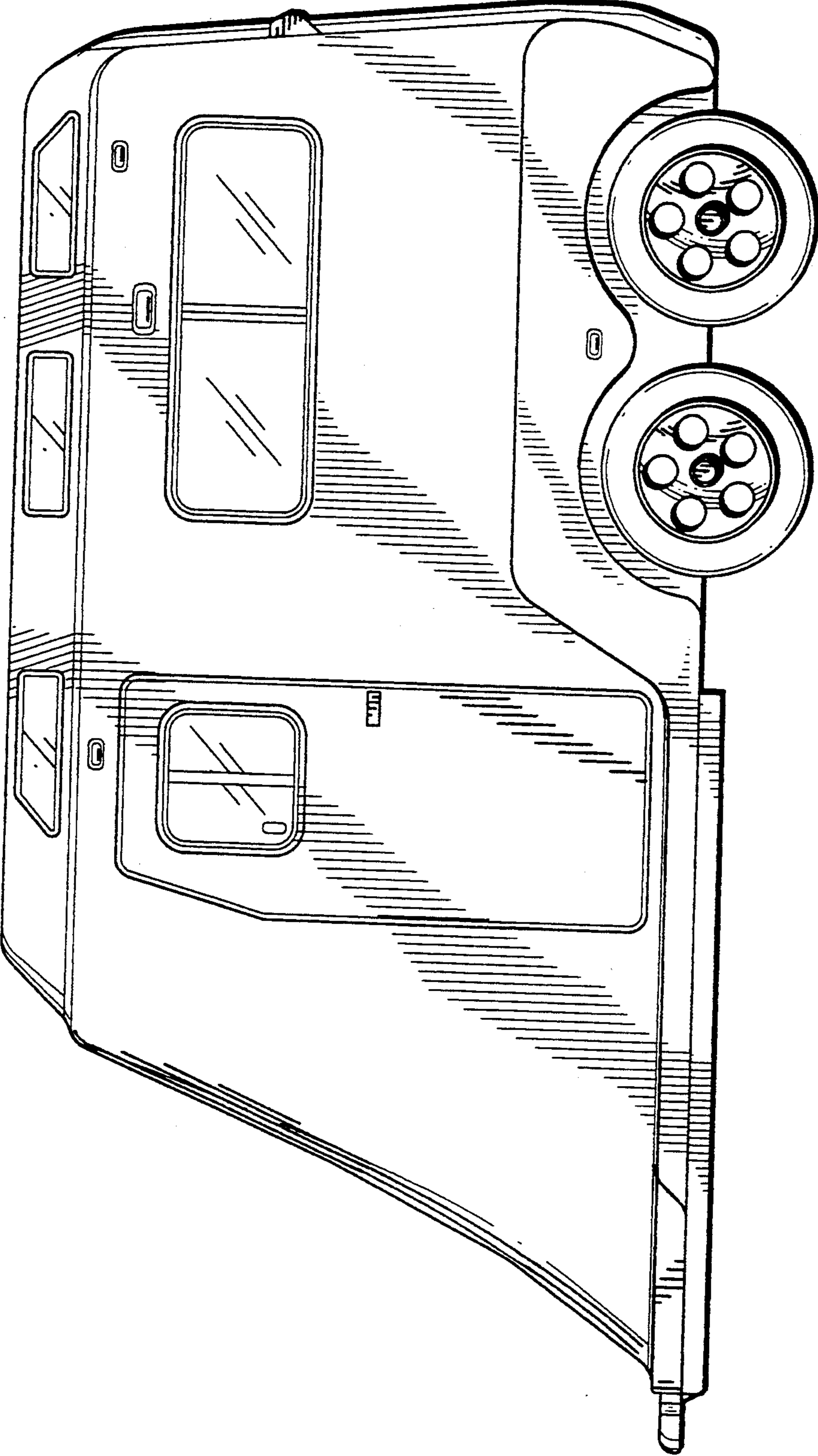


FIG. 3

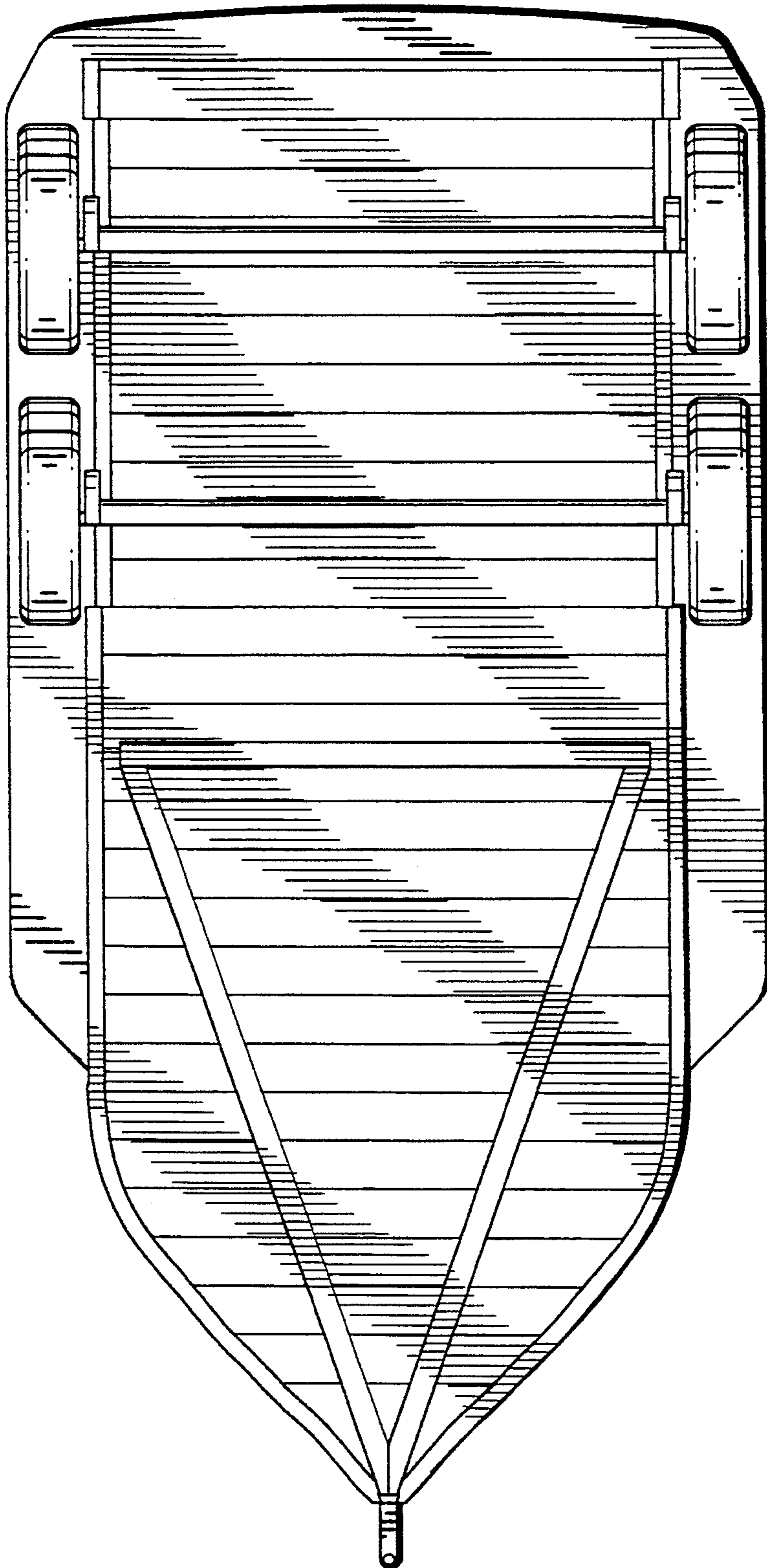


FIG. 4

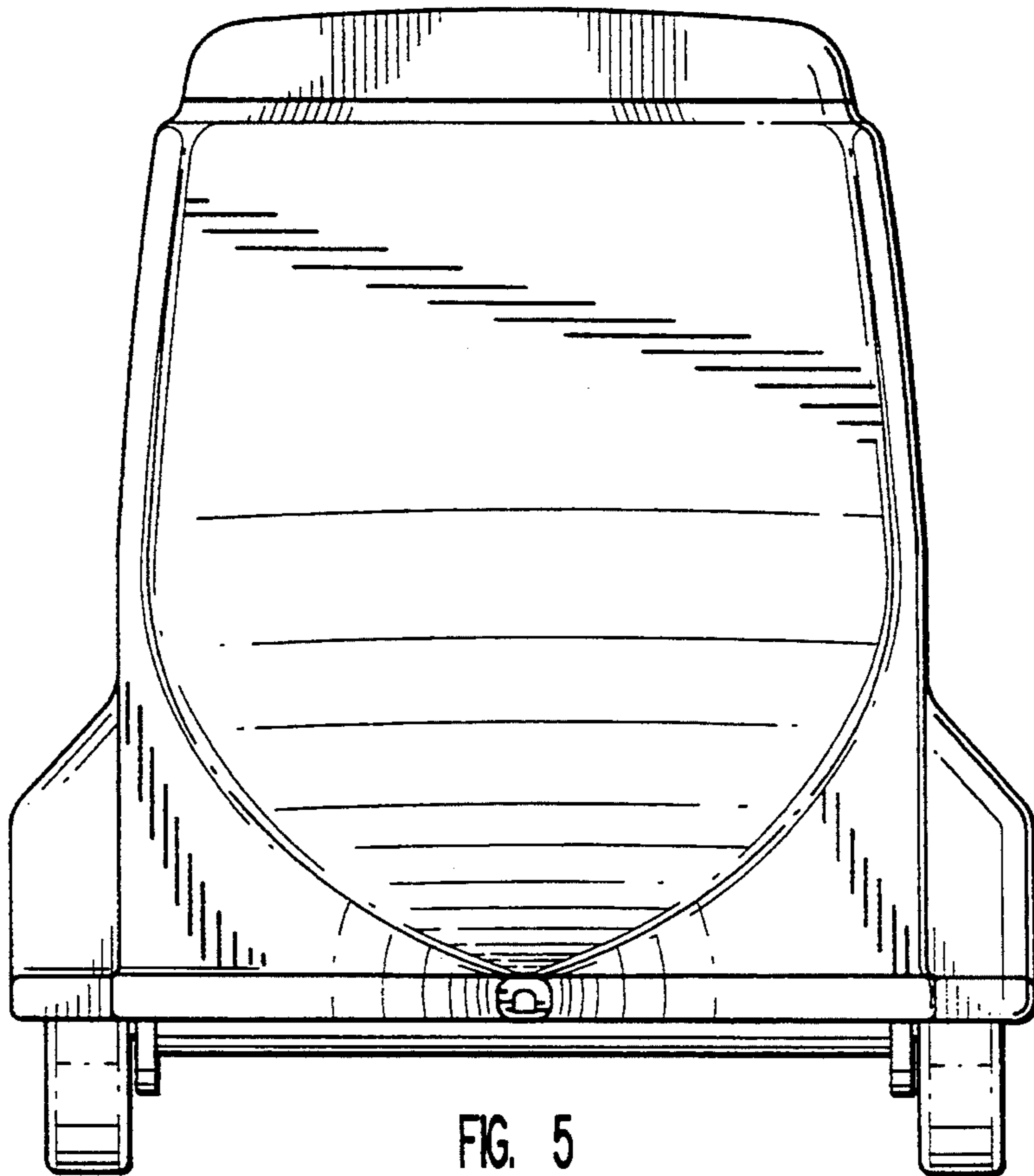


FIG. 5

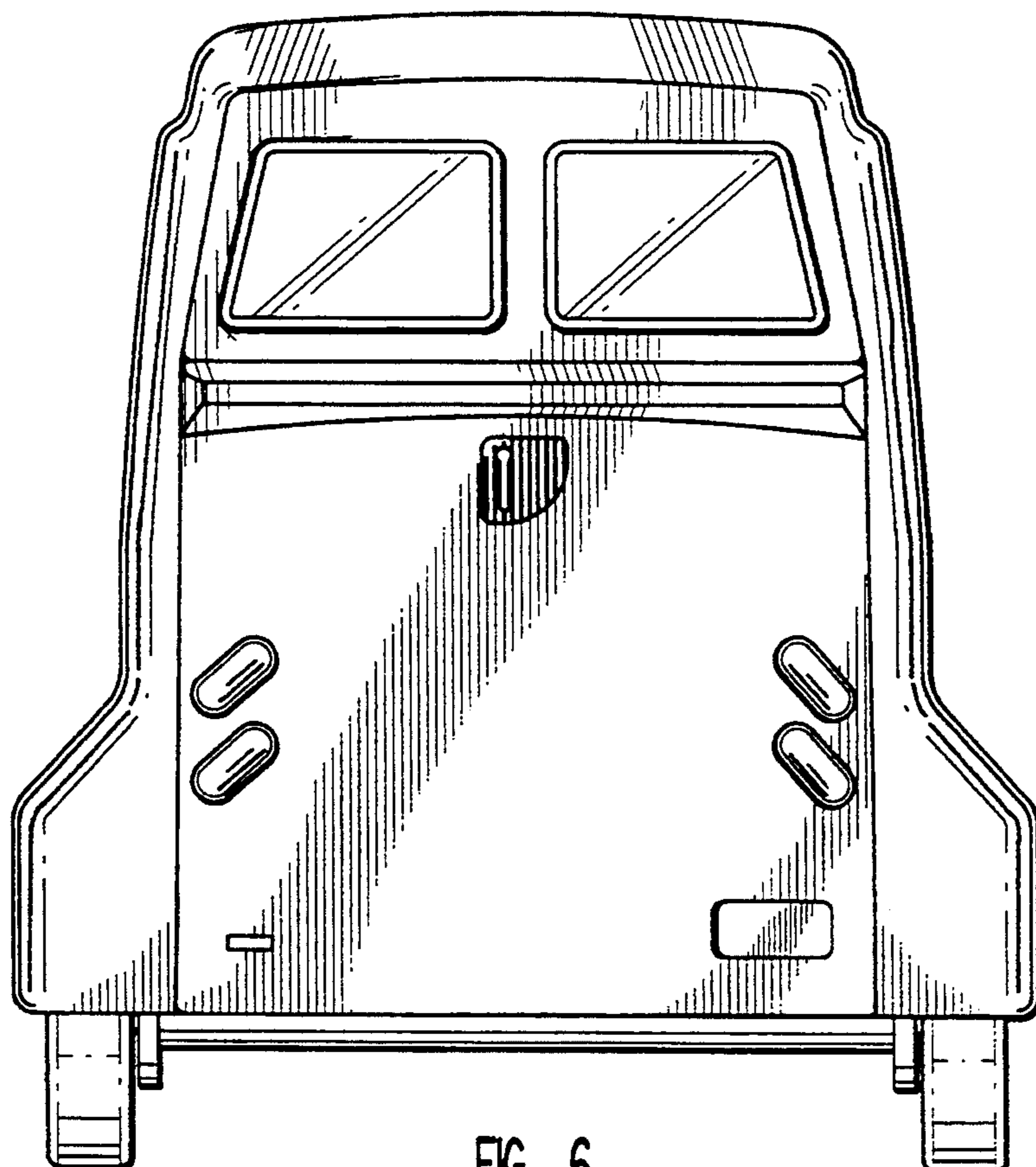


FIG. 6