



US00D354021S

United States Patent [19]

[11] Patent Number: Des. 354,021

Kielbasa

[45] Date of Patent: ** Jan. 3, 1995

[54] COMBINED CHRISTMAS TREE STAND AND HOLIDAY ACTION DISPLAY

4,708,685 11/1987 Udagawa 446/139
4,778,430 10/1988 Goldfarb et al. 446/167

[75] Inventor: Karen T. Kielbasa, Hong Kong, Hong Kong

Primary Examiner—Melvin B. Feifer
Assistant Examiner—Dominic Simone
Attorney, Agent, or Firm—Cohen, Pontani, Lieberman, Pavane

[73] Assignee: Mr. Christmas, Inc., New York, N.Y.

[**] Term: 14 Years

[57] CLAIM

[21] Appl. No.: 2,330

The ornamental design for a combined Christmas tree stand and holiday action display, as shown and described.

[22] Filed: Dec. 7, 1992

[52] U.S. Cl. D11/130.1; D21/143

[58] Field of Search D11/130.1, 129; D21/59, D21/143; 446/168-171, 129, 133, 138

DESCRIPTION

[56] References Cited

U.S. PATENT DOCUMENTS

D. 70,397	6/1926	Beazley	D11/130.1
D. 310,499	9/1990	Grzebyk	D11/130.1
2,765,583	10/1956	Gamble	D11/129 X
3,108,810	10/1963	Wiley, Jr.	446/171 X
3,820,265	6/1974	Leonard	D11/129 X
4,609,363	9/1986	Udagawa	446/444
4,678,449	7/1987	Udagawa	446/136

FIG. 1 is a front elevational view of a combined Christmas tree stand and holiday action display showing my new design;

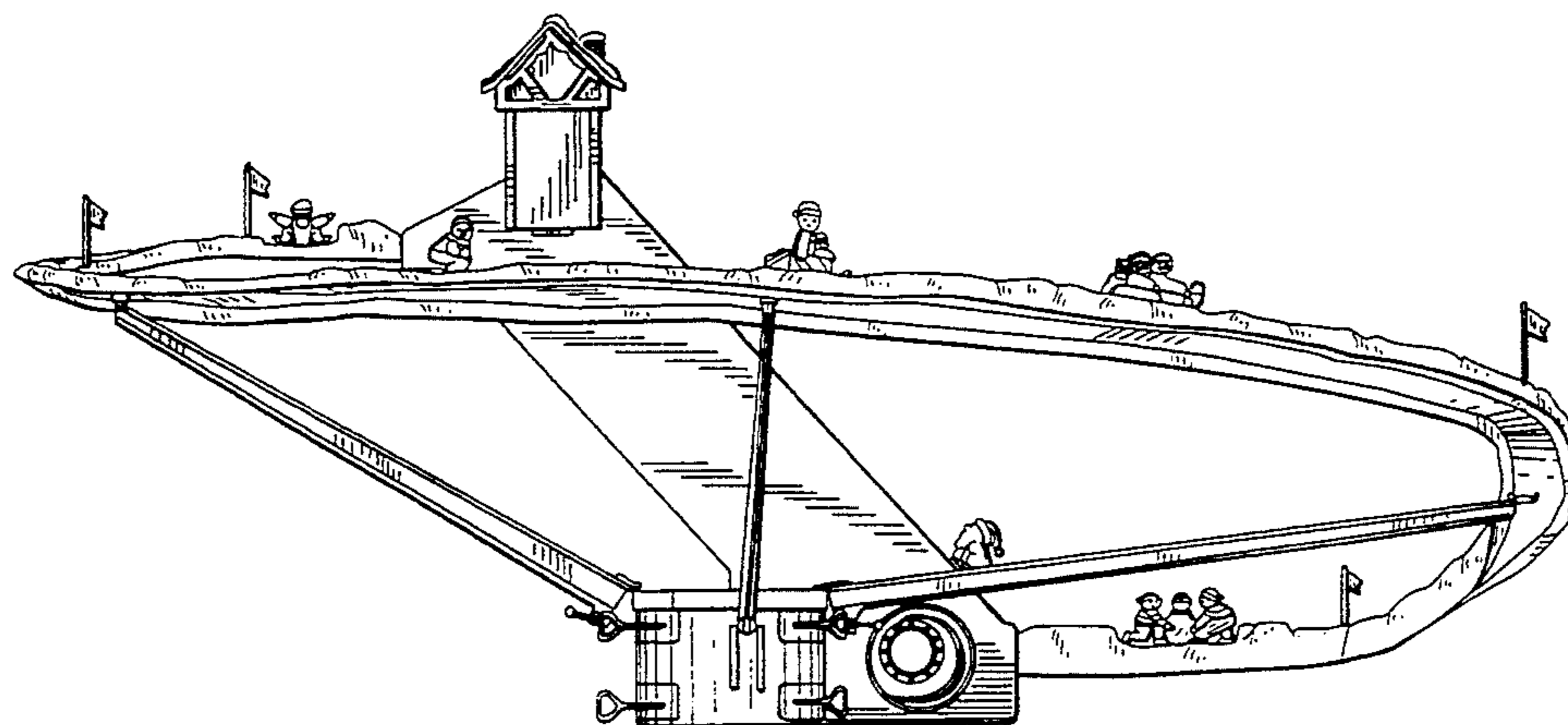
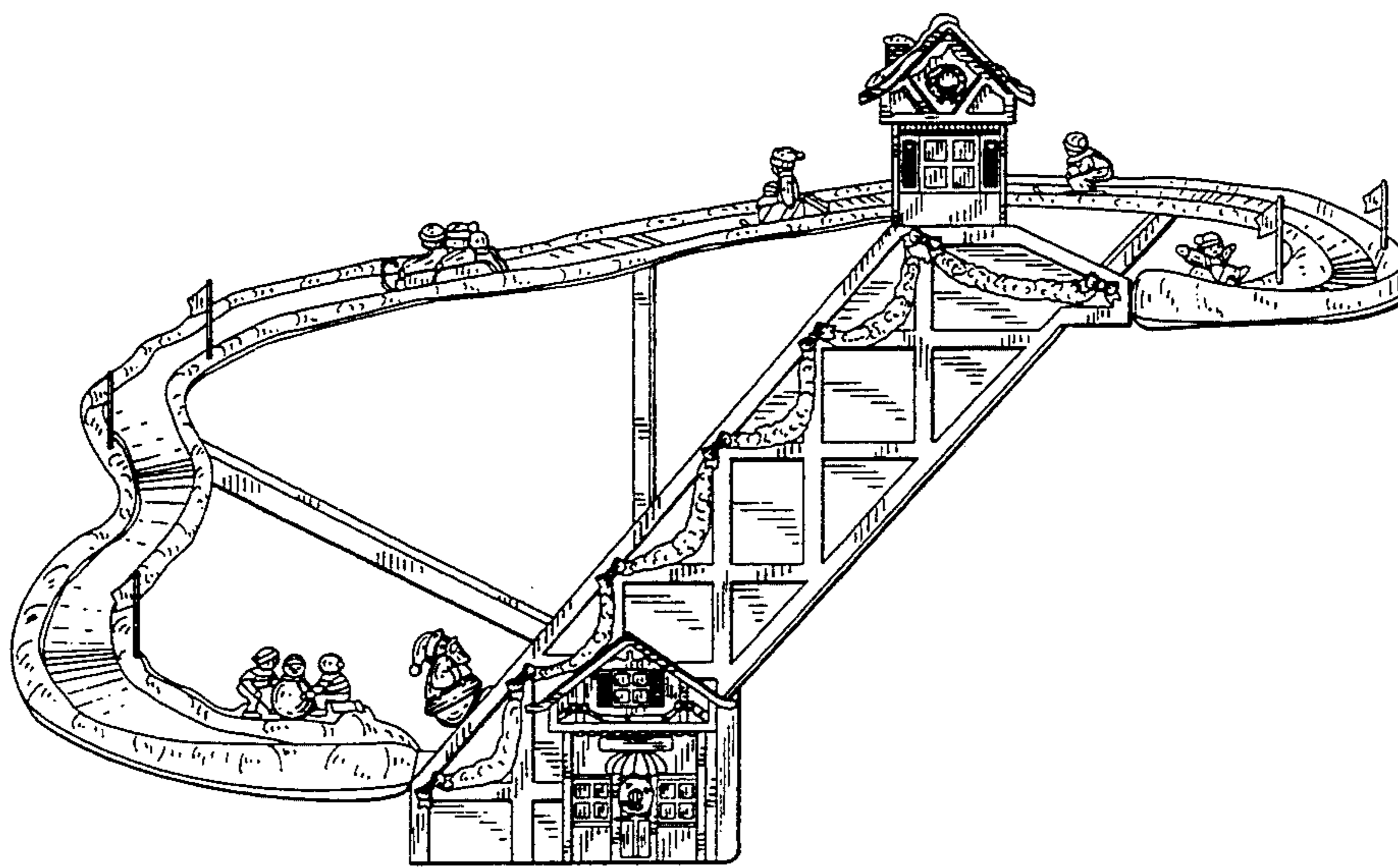
FIG. 2 is a back elevational view of the display of FIG. 1;

FIG. 3 is a top plan view of the display of FIG. 1;

FIG. 4 is a bottom plan view of the display of FIG. 1;

FIG. 5 is a side elevational view taken from the left side of the display of FIG. 1; and,

FIG. 6 is a side elevational view taken from the right side of the display shown in FIG. 1.



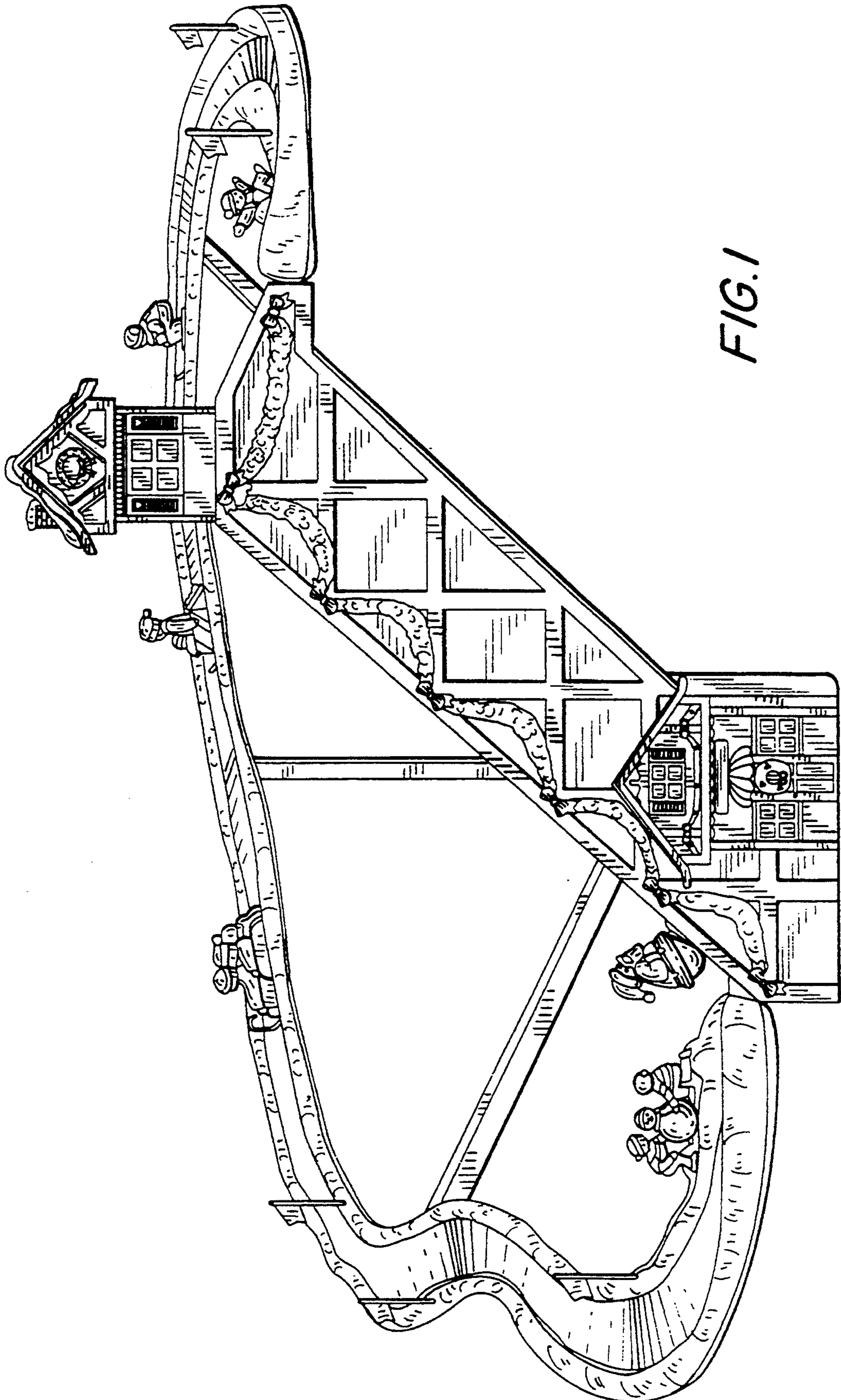
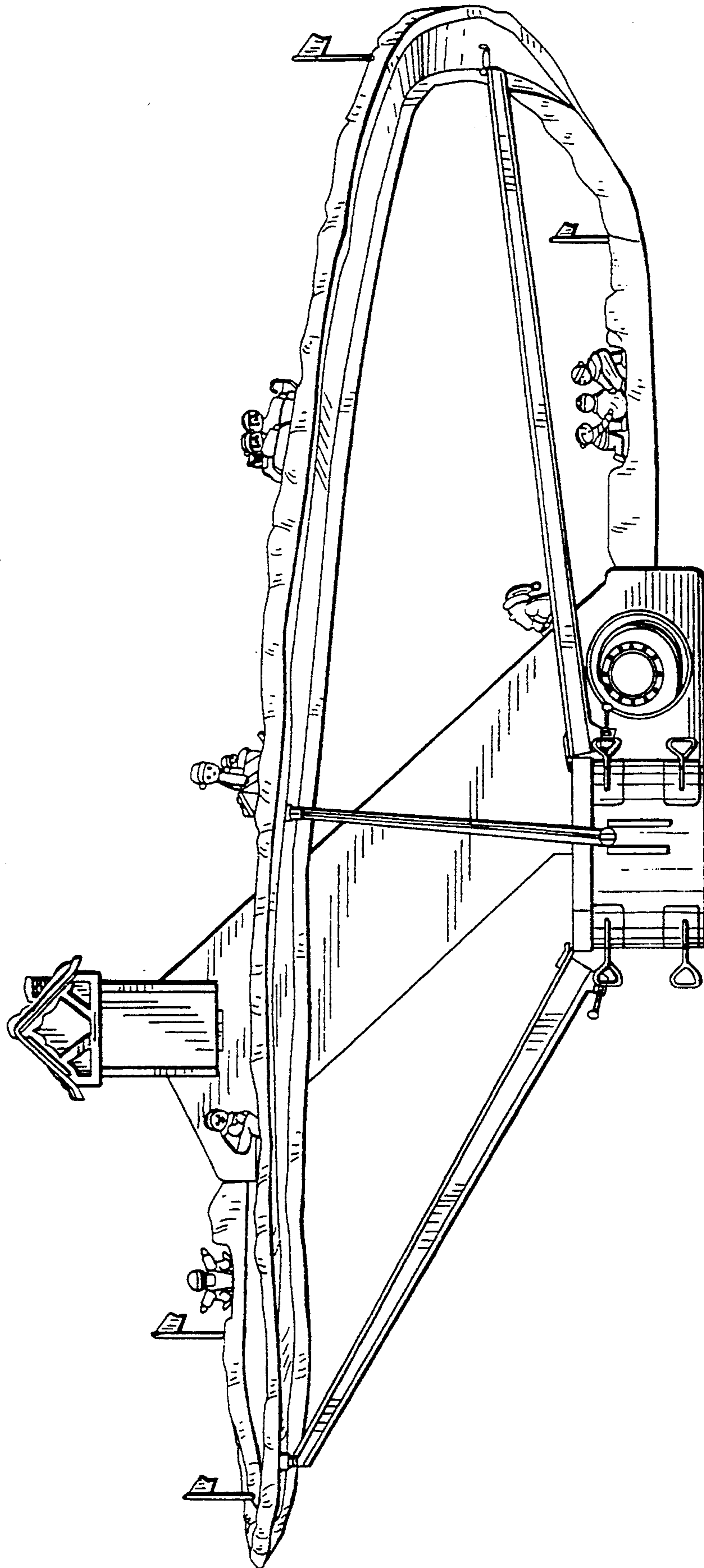


FIG. 1

FIG. 2



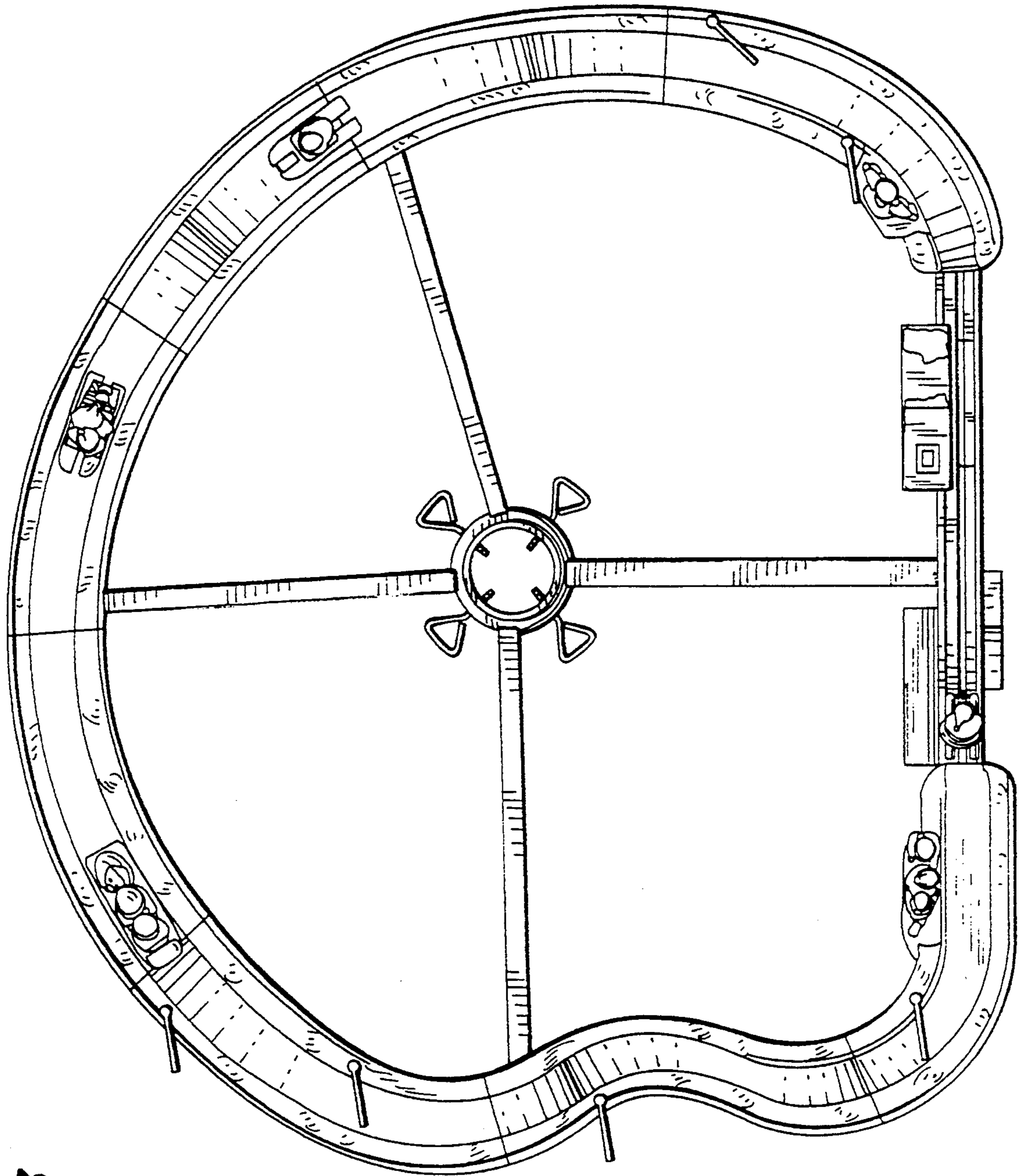


FIG. 3

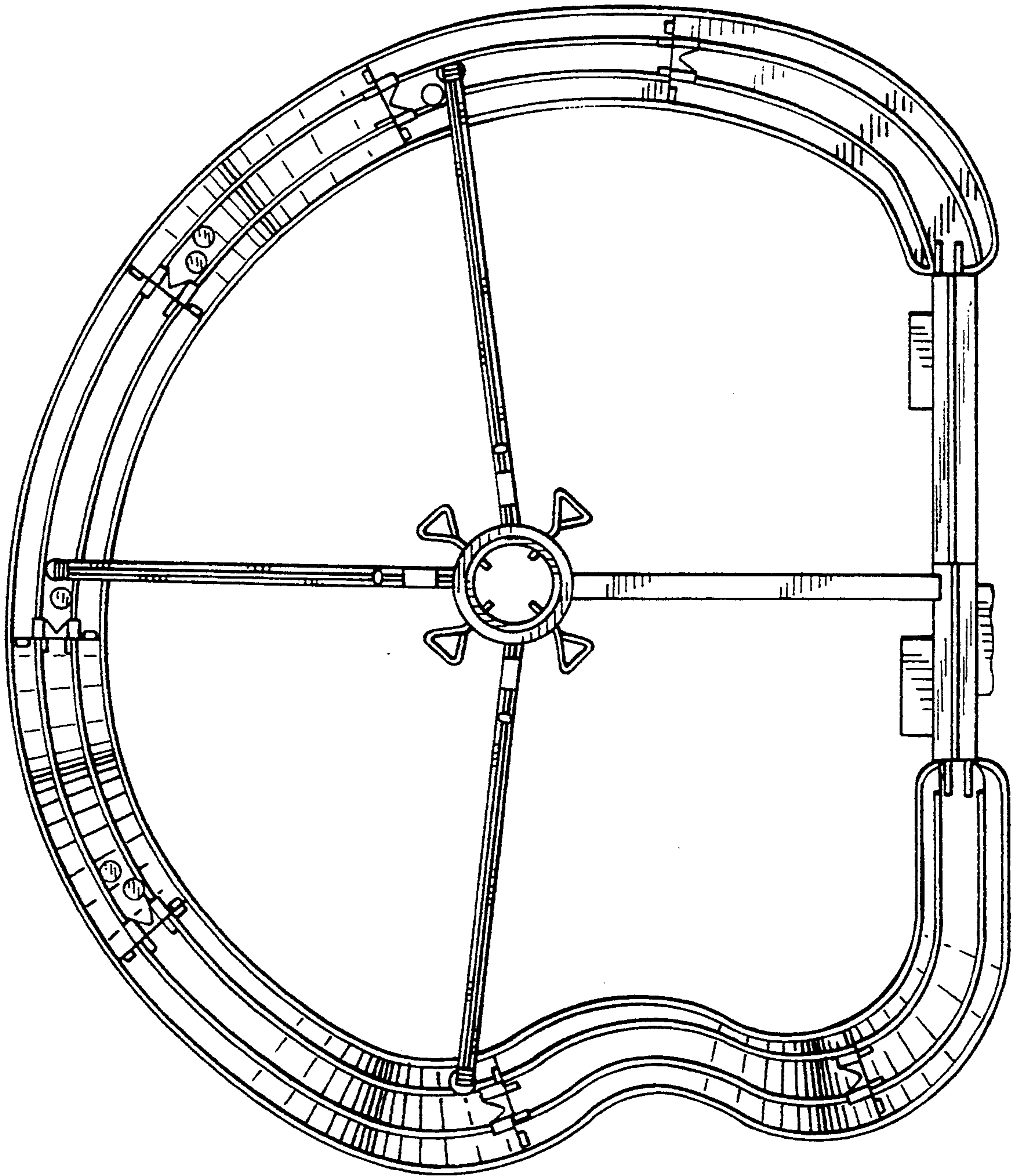


FIG. 4

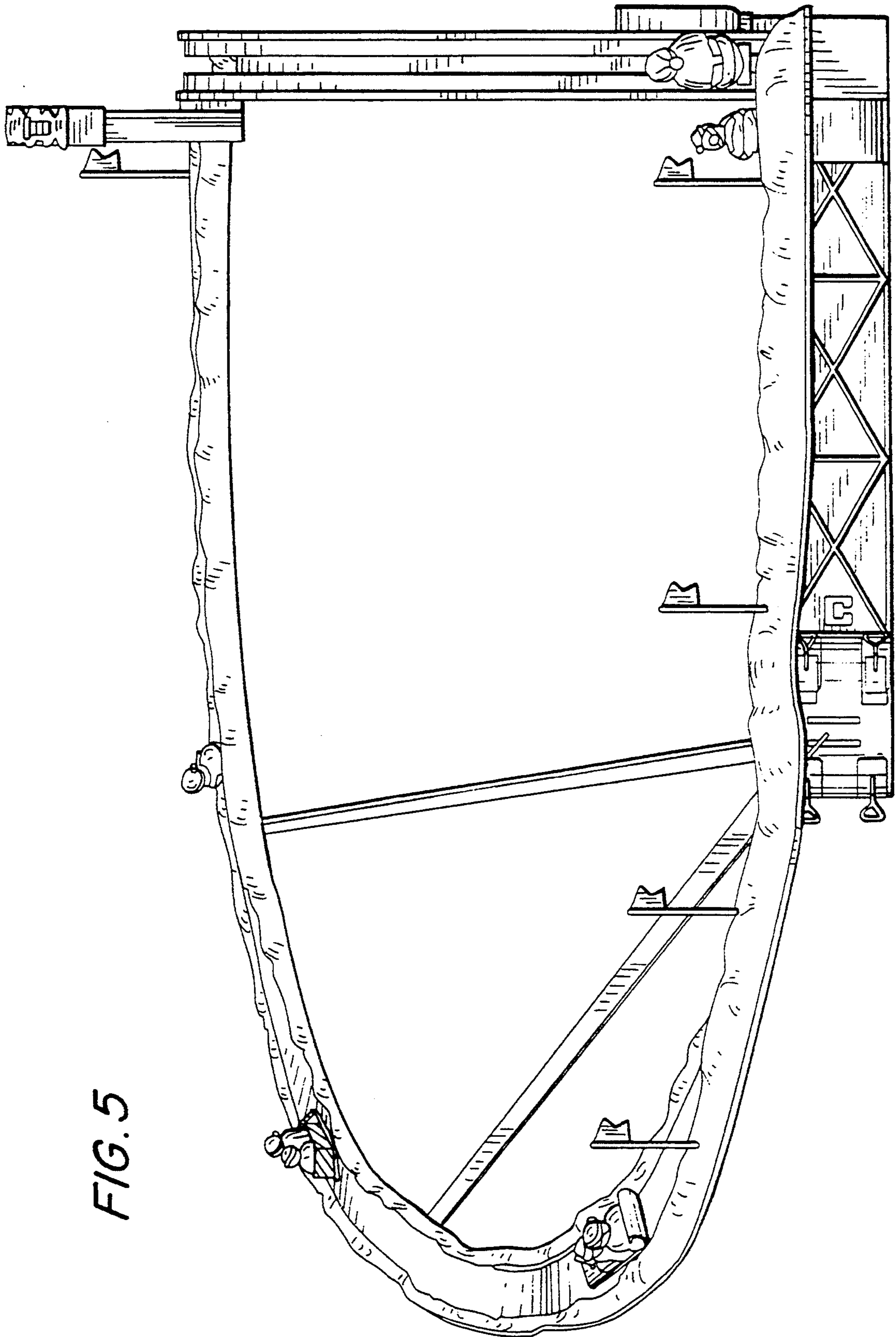


FIG. 5

FIG. 6

