



US00D354004S

United States Patent [19]

[11] Patent Number: **Des. 354,004**

Brown

[45] Date of Patent: **** Jan. 3, 1995**

[54] **TABLE CLOCK**

[56] **References Cited**

[76] Inventor: **Julian F. Brown**, 27 George Street,
Berkhamsted, Herts HP4 4EG,
England

U.S. PATENT DOCUMENTS

D. 73,457	9/1927	Weiss	D10/23
D. 93,523	10/1934	Schlenker	D10/23
D. 332,407	1/1993	Giordano	D10/23
344,025	2/1994	Shimamura	D10/22

[**] Term: **14 Years**

Primary Examiner—Nelson C. Holtje
Attorney, Agent, or Firm—Steinberg, Raskin &
Davidson

[21] Appl. No.: **1,380**

[57] CLAIM

[22] Filed: **Nov. 12, 1992**

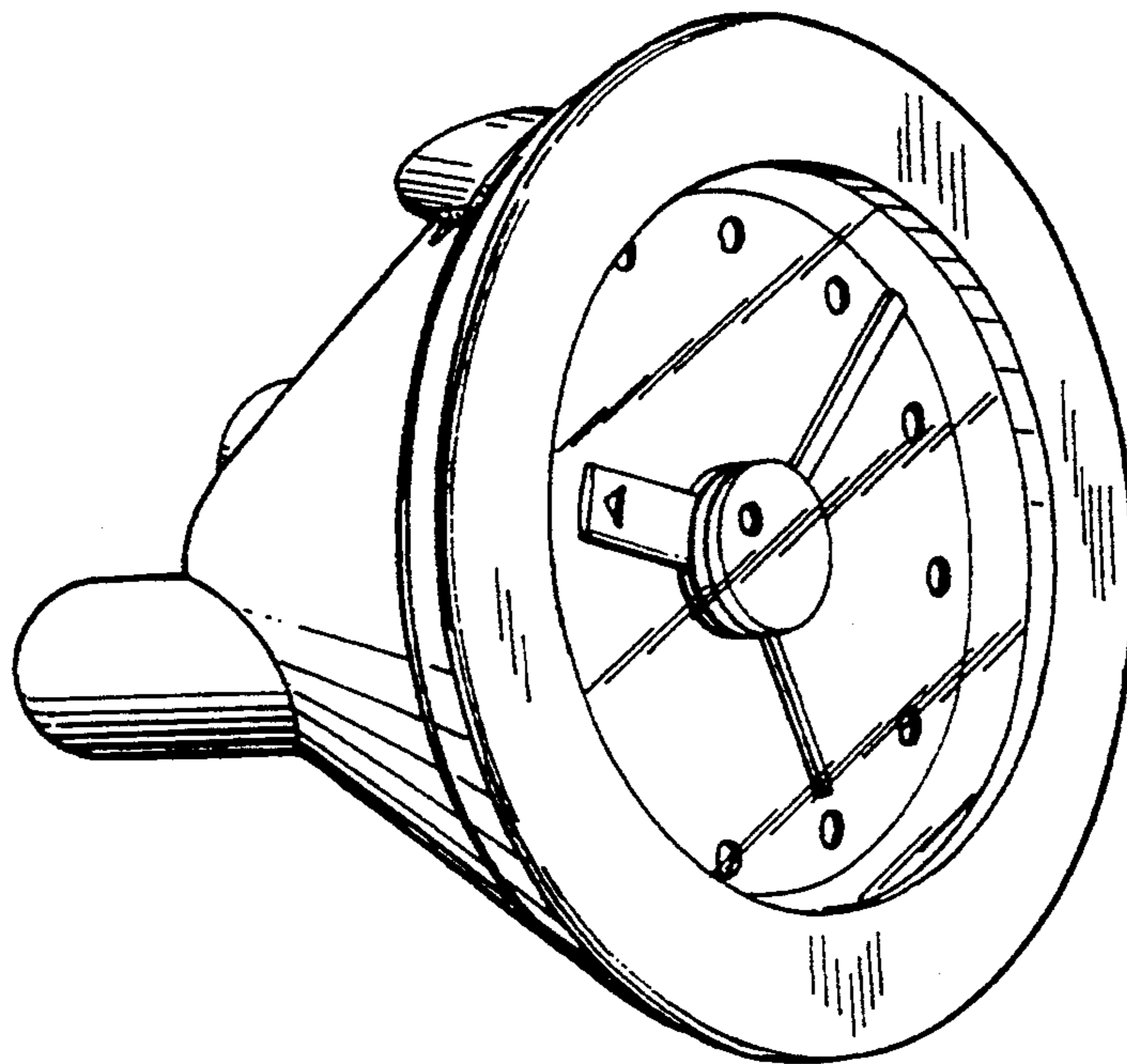
The ornamental design for a table clock, as shown.

[30] Foreign Application Priority Data

May 20, 1992	[IT]	Italy	MI920000329
[52]	U.S. Cl.	D10/23; D10/21	
[58]	Field of Search	D10/1-40, D10/122-132; 368/276-277, 285	

DESCRIPTION

FIG. 1 is a perspective view of a table clock showing my new design;
FIG. 2 is a top view thereof;
FIG. 3 is a side view thereof;
FIG. 4 is a front view thereof; and,
FIG. 5 is a rear view thereof.



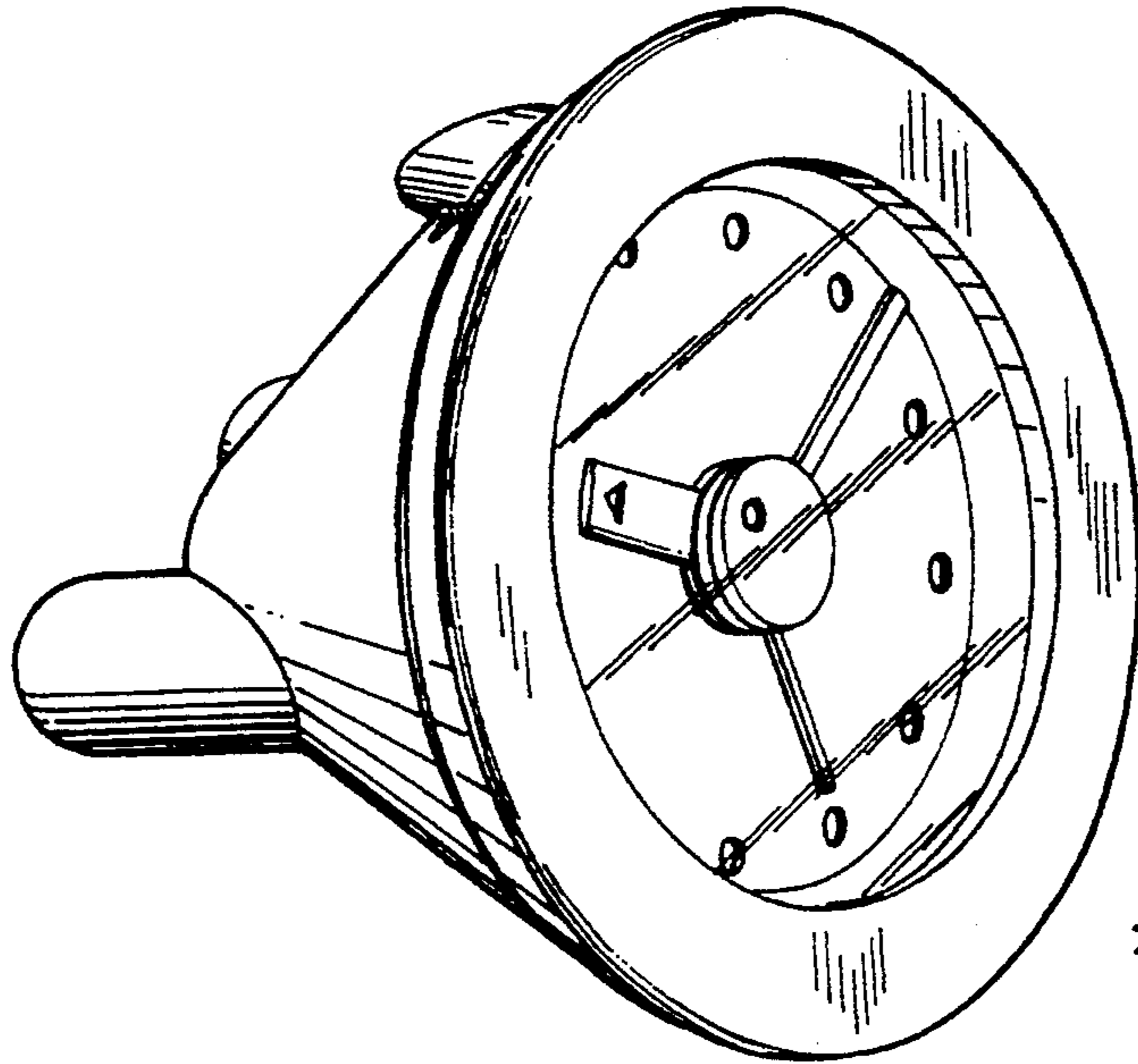


Fig. 1

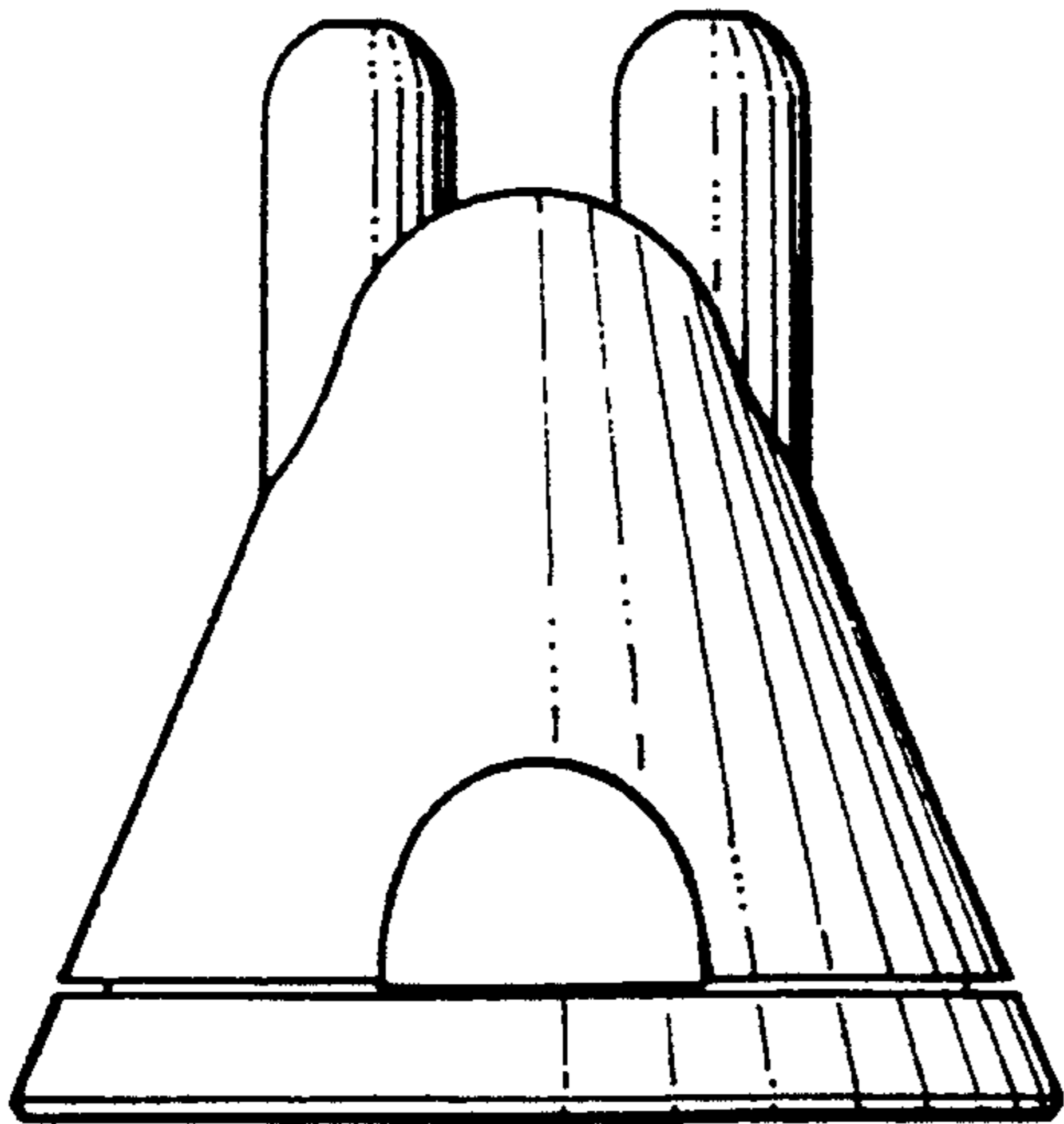


Fig. 2

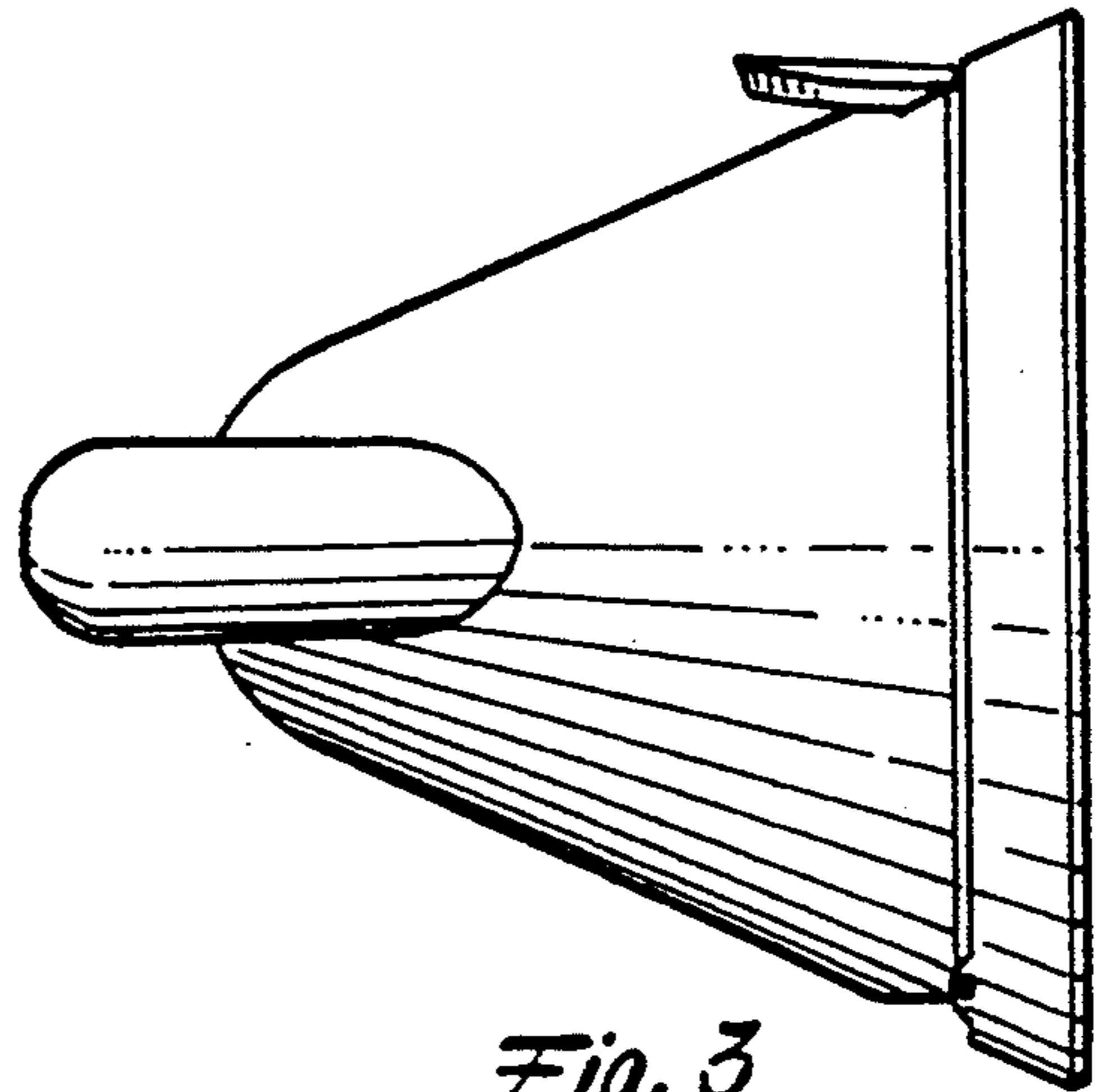


Fig. 3

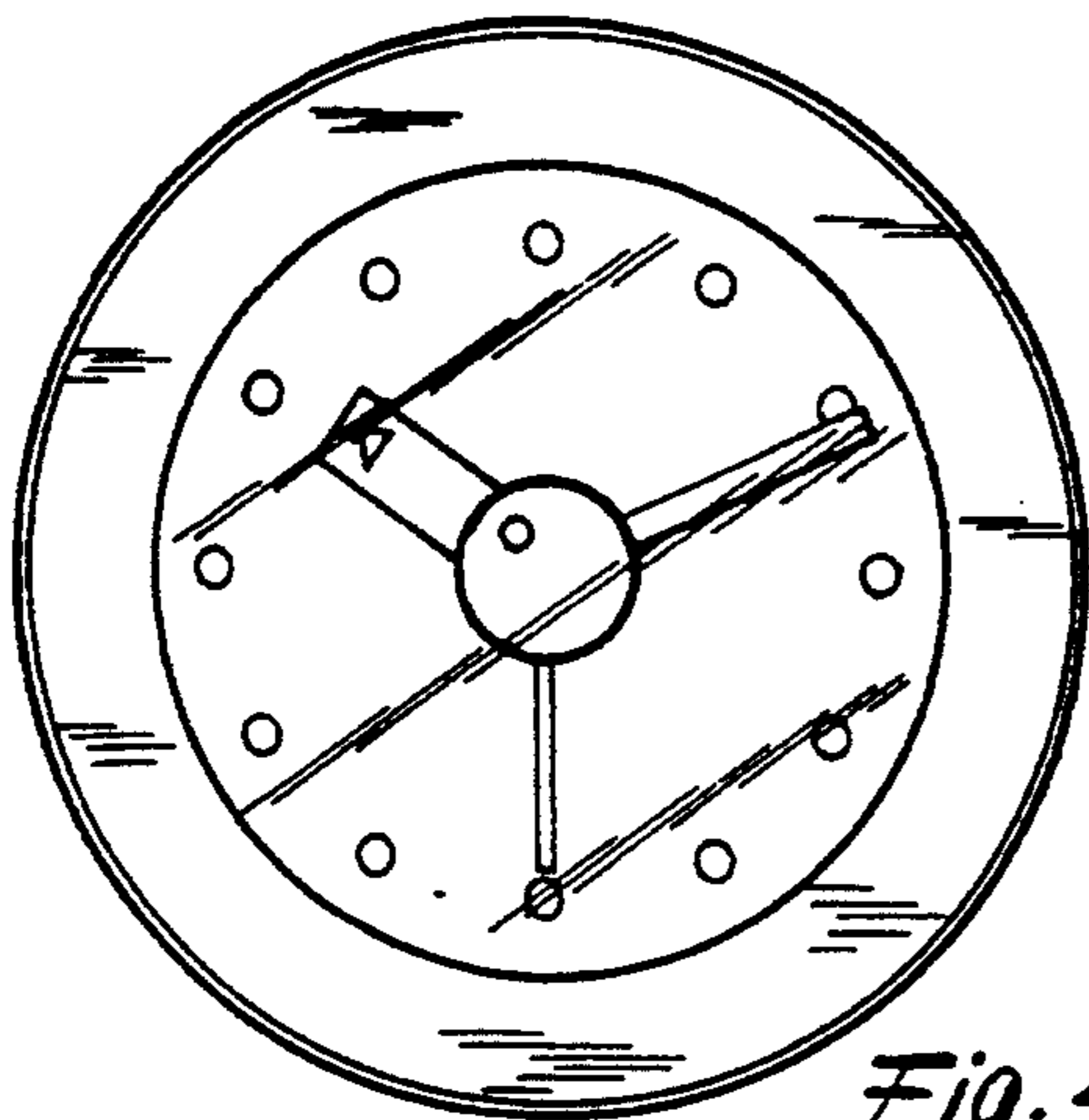


Fig. 4

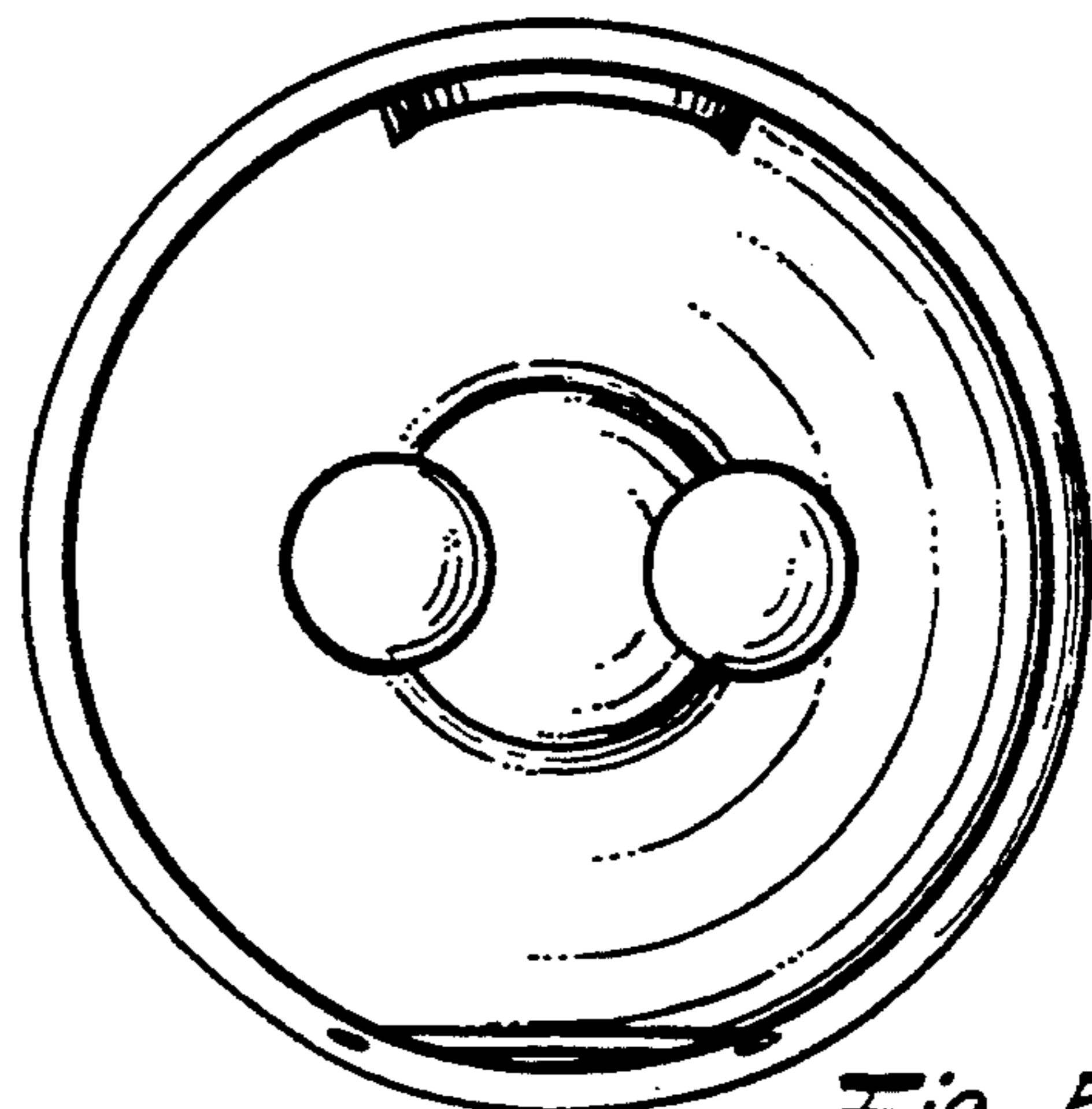


Fig. 5