



US00D353989S

United States Patent [19]

[11] Patent Number: **Des. 353,989**

Watson

[45] Date of Patent: **** Jan. 3, 1995**

[54] **COMBINED DRESSING AND SKINNING KNIFE**

3,890,707	6/1975	Cremonese	30/315
4,117,593	10/1978	Piligrino	30/315
4,574,479	3/1986	Gramann	30/315

[76] Inventor: **Wilbert e. Watson, 9315 Meade St., Westminster, Colo. 80030-6462**

FOREIGN PATENT DOCUMENTS

[**] Term: **14 Years**

96265 7/1939 Sweden 30/315

[21] Appl. No.: **10,318**

Primary Examiner—Bernard Ansher
Assistant Examiner—Philip Hyder
Attorney, Agent, or Firm—Kevin A. Sembrat

[22] Filed: **Jul. 2, 1993**

[52] U.S. Cl. **D8/98**

[58] Field of Search D8/14, 98, 99; D22/118; D7/693; 30/340, 314, 315, 356

[57] CLAIM

The ornamental design for a combined dressing and skinning knife, as shown and described.

[56] References Cited

U.S. PATENT DOCUMENTS

D. 144,225	3/1946	Teague	D7/693
D. 150,920	9/1948	Besozzi	D7/693
D. 151,026	9/1948	Besozzi	D7/693
D. 152,600	2/1949	Danielson	D7/693
D. 152,749	2/1949	Selikoff et al.	D7/693
D. 235,841	7/1975	Cremonese	D8/98
3,865,370	2/1975	Rogers	30/340

DESCRIPTION

FIG. 1 is a perspective view of the combined dressing and skinning knife showing my new design; FIG. 2 is a left elevational view thereof; FIG. 3 is a front elevational view thereof; FIG. 4 is a rear elevational view thereof; FIG. 5 is a top plan view thereof; and, FIG. 6 is a bottom plan view.

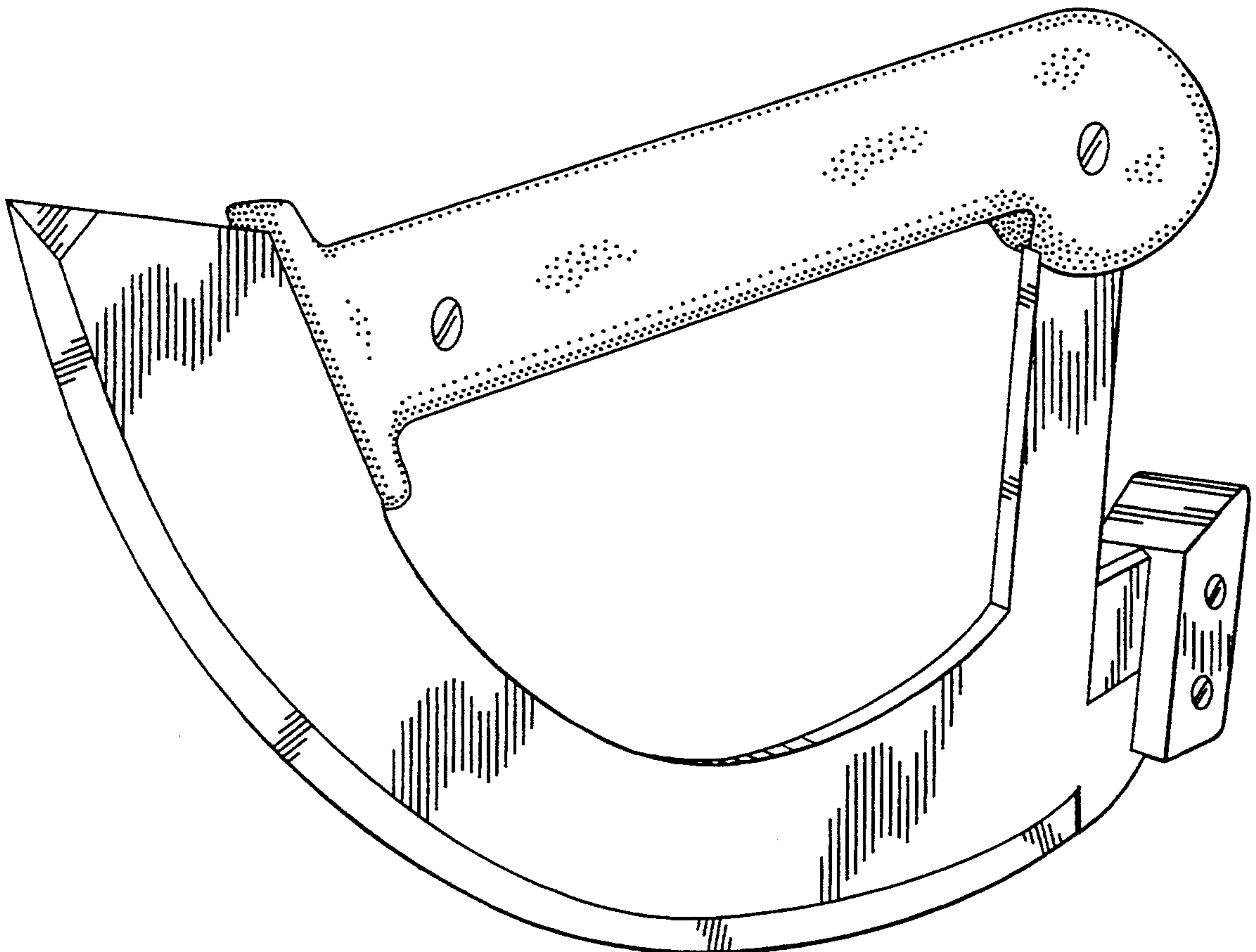


Fig.1

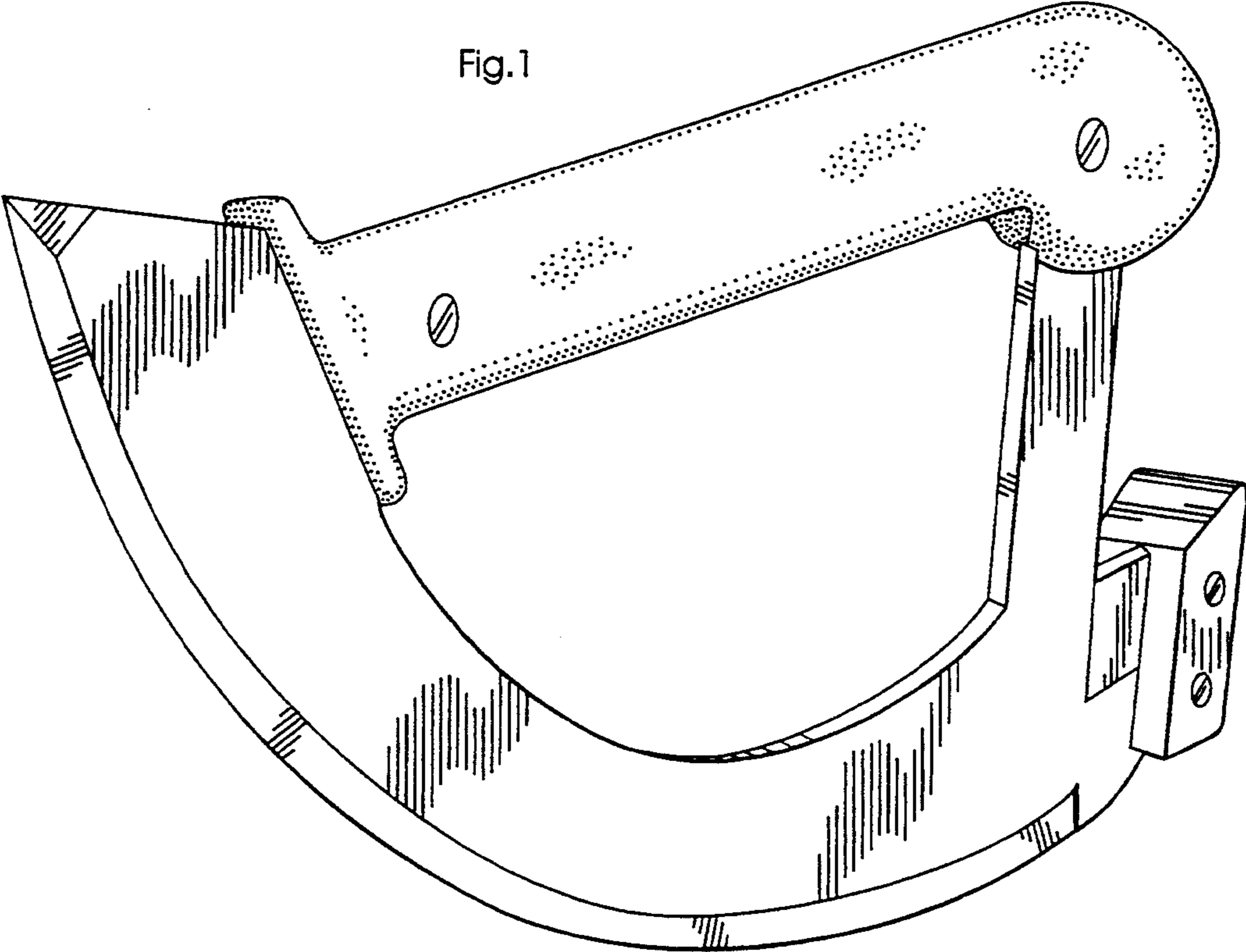


Fig.2

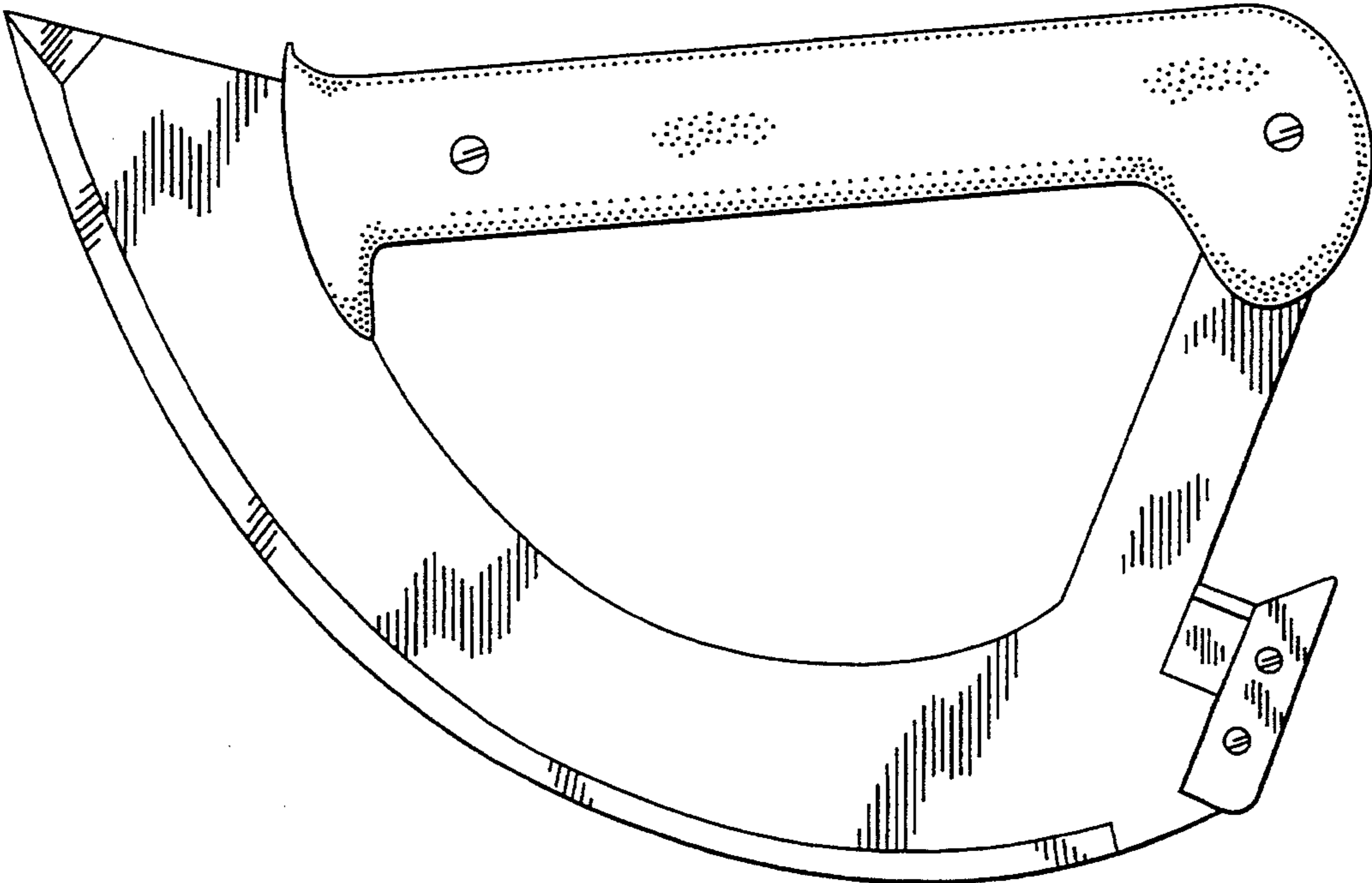


Fig.3

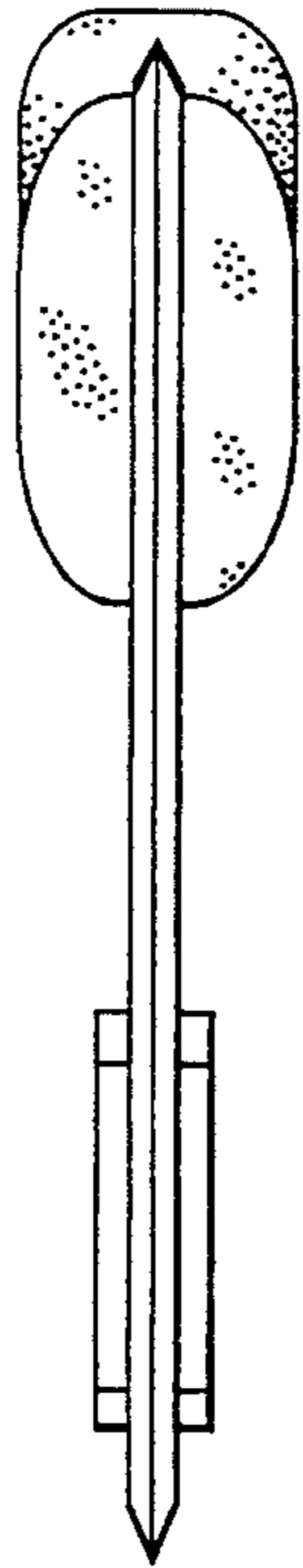


Fig.4

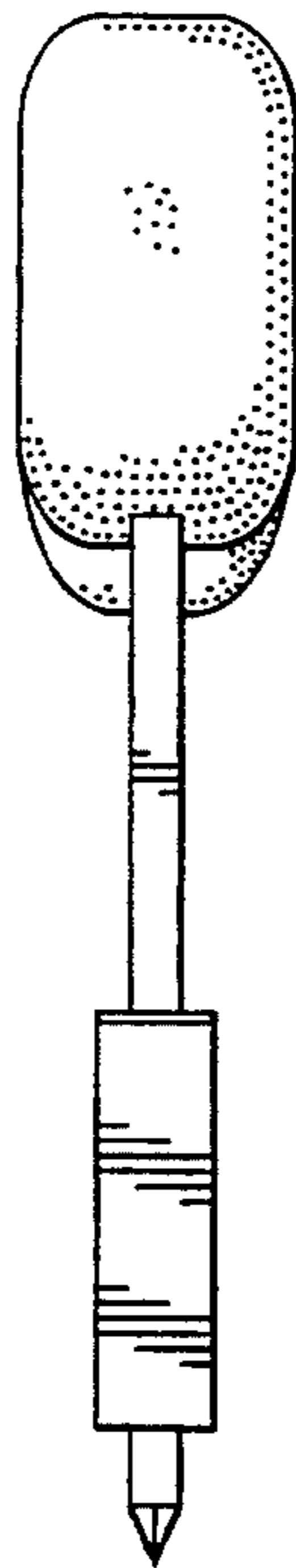


Fig.5

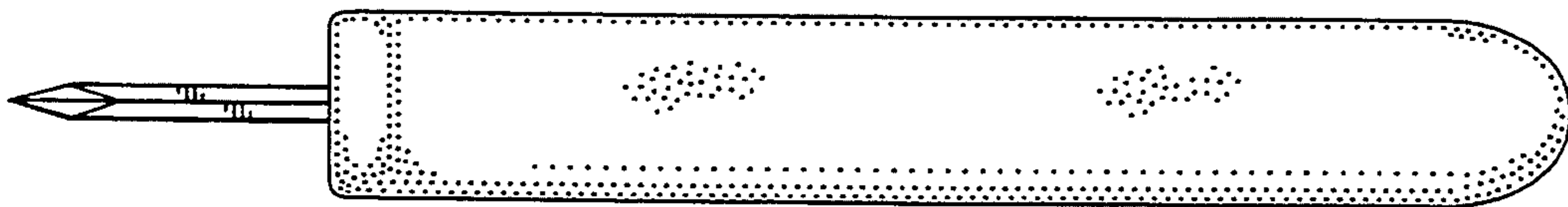


Fig.6

