



US00D353987S

# United States Patent [19]

[11] Patent Number: **Des. 353,987**

Pasto

[45] Date of Patent: **\*\* Jan. 3, 1995**

[54] **TOOL FOR INSTALLING WOODEN PLANKS**

[76] Inventor: **Cris E. Pasto**, 244 Van Etten Rd.,  
Spencer, N.Y. 14883

[\*\*] Term: **14 Years**

[21] Appl. No.: **1,116**

[22] Filed: **Nov. 4, 1992**

[52] U.S. Cl. .... **D8/88; D8/14**

[58] Field of Search ..... **D8/14, 88, 89, 51;**  
**7/166; 254/15, 16, 17, 11**

[56] **References Cited**

**U.S. PATENT DOCUMENTS**

D. 275,446	9/1984	McSwain	.....	D8/89
77,610	5/1868	Hall	.	
673,164	4/1901	Fike	.....	254/15
1,475,371	11/1923	Davis	.....	7/166
2,552,519	5/1951	Clair	.....	254/17
2,585,013	2/1952	Johnson	.....	254/17
2,896,910	7/1959	Cooper et al.	.....	7/166
3,883,117	5/1975	Powell	.....	254/16
4,493,477	1/1985	Greer	.....	254/15
4,621,791	11/1986	Staskiewicz et al.	.....	254/17
4,821,784	4/1989	Cone	.....	144/381
5,139,231	8/1992	Temple	.....	254/15
5,248,127	9/1993	Young	.....	254/15

*Primary Examiner*—Bernard Ansher  
*Assistant Examiner*—Philip Hyder  
*Attorney, Agent, or Firm*—Salzman & Levy

[57] **CLAIM**

The ornamental design for a tool for installing wooden planks, as shown and described.

**DESCRIPTION**

FIG. 1 is a perspective view of the preferred embodiment of the tool of the design;  
FIG. 2 is a top plan view of the tool;  
FIG. 3 is a side elevational view of the tool;  
FIG. 4 is a right end elevational view of the tool;  
FIG. 5 is a perspective view thereof on a reduced scale, the broken line portions of the drawing being for illustrative purposes only and forming no part of the claimed design;  
FIG. 6 is a perspective view of an alternative embodiment of the tool of the design;  
FIG. 7 is a top plan view of the tool;  
FIG. 8 is a side elevational view of the tool;  
FIG. 9 is a right end elevational view of the tool; and,  
FIG. 10 is a perspective view thereof on a reduced scale, the broken line portions of the drawing being for illustrative purposes only and forming no part of the claimed design.

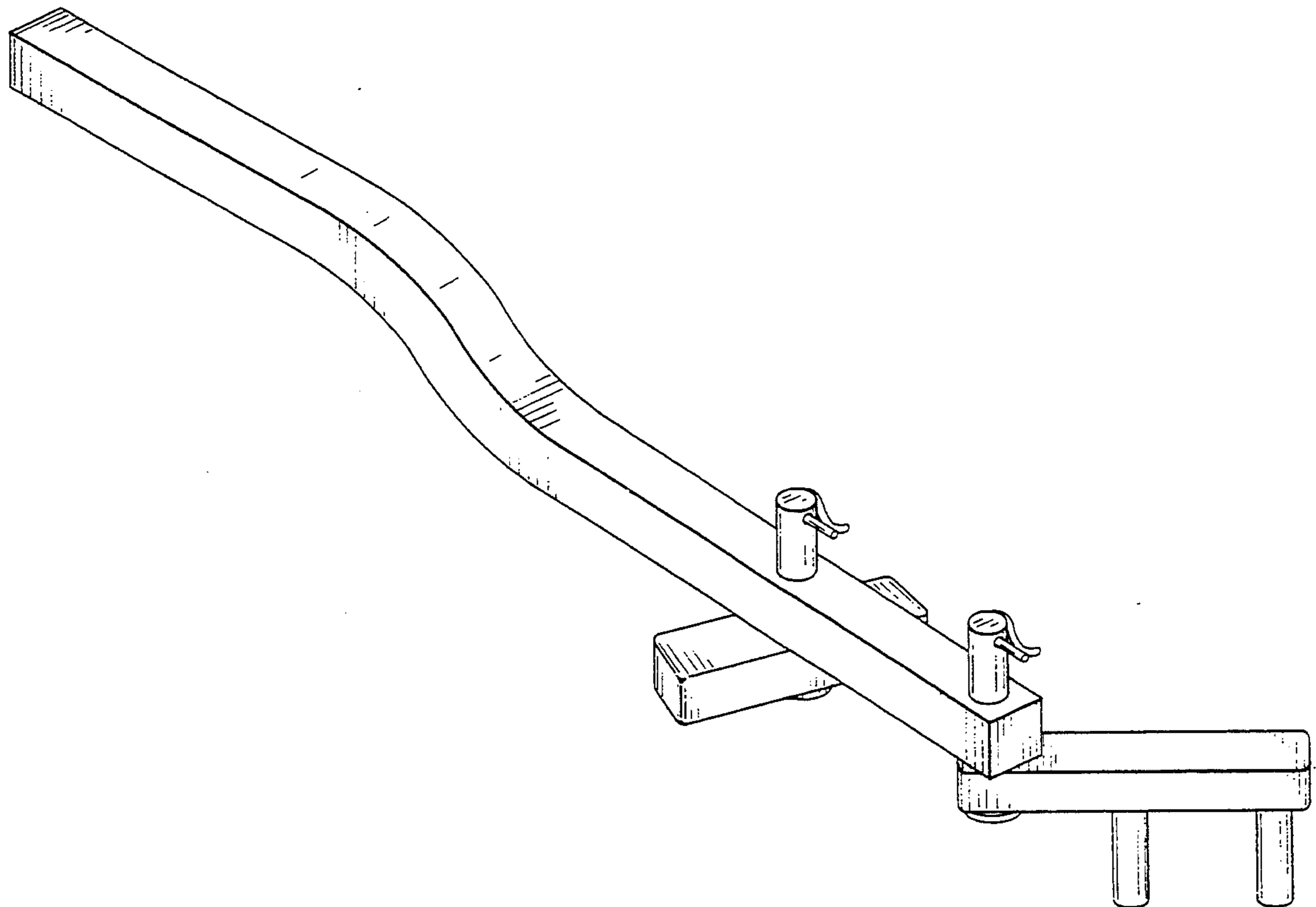


FIG-1

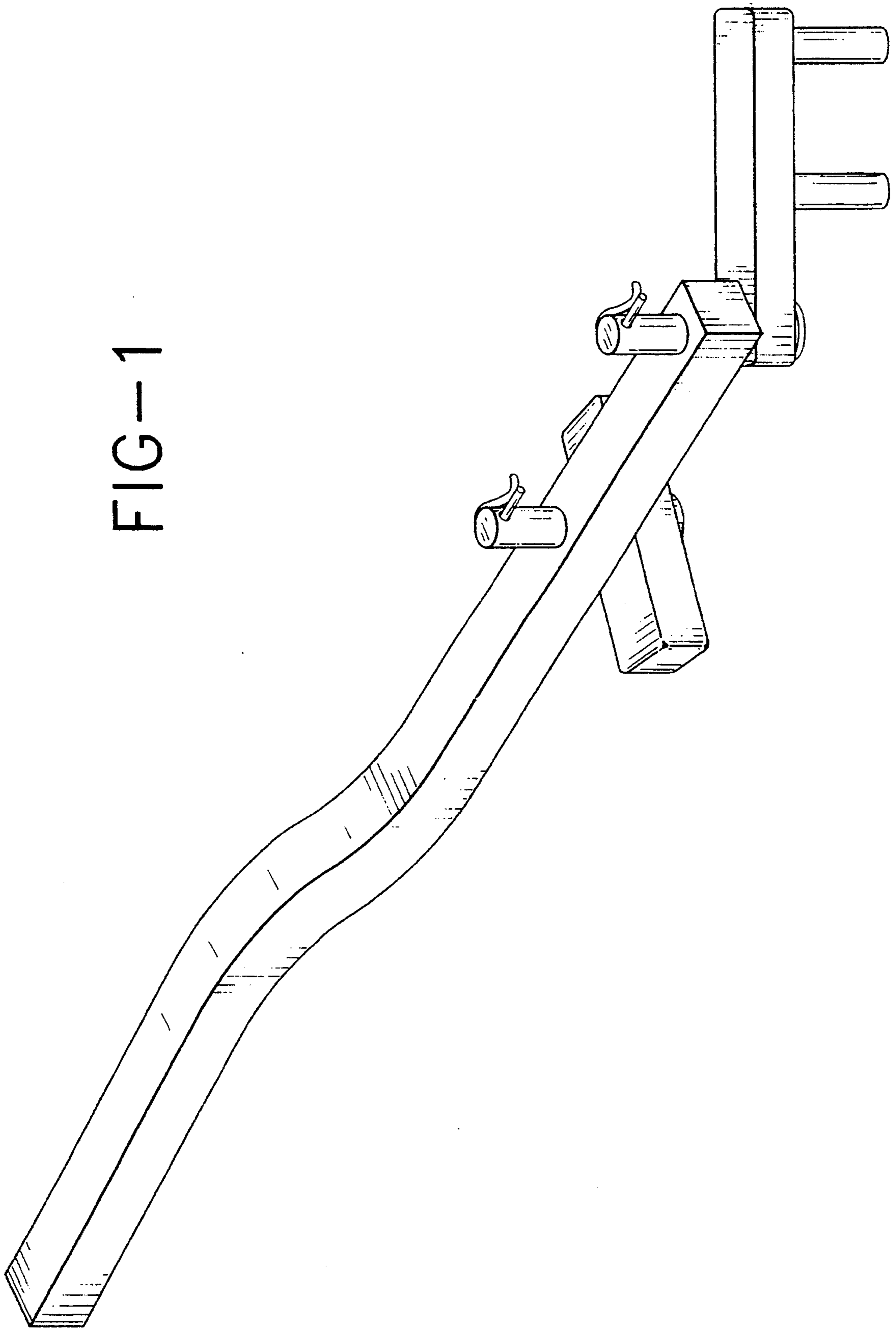


FIG-2

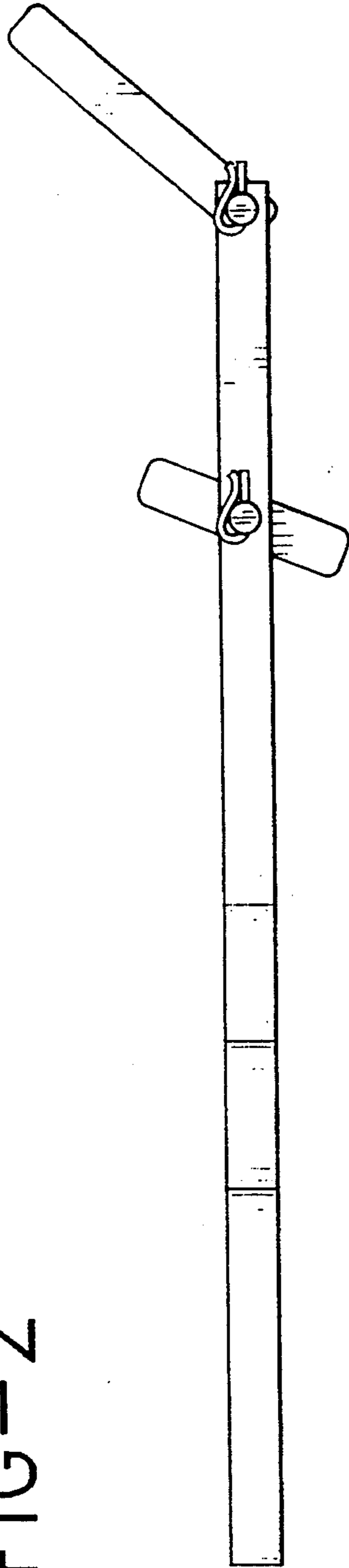


FIG-3

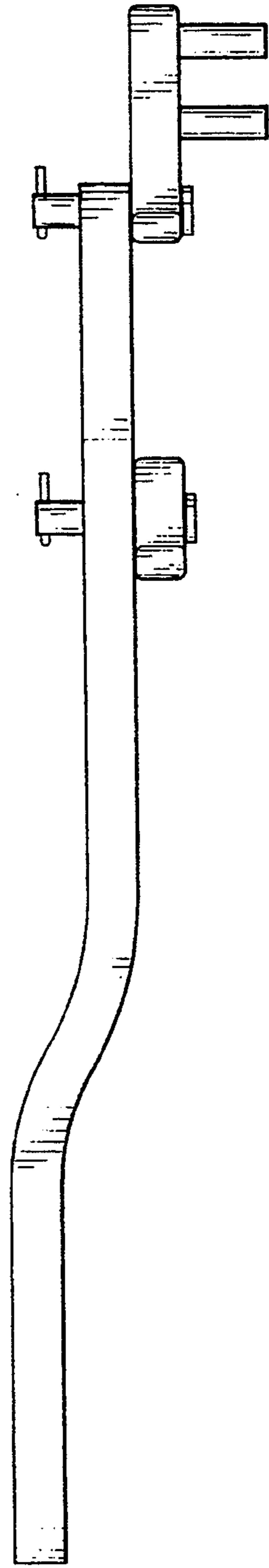
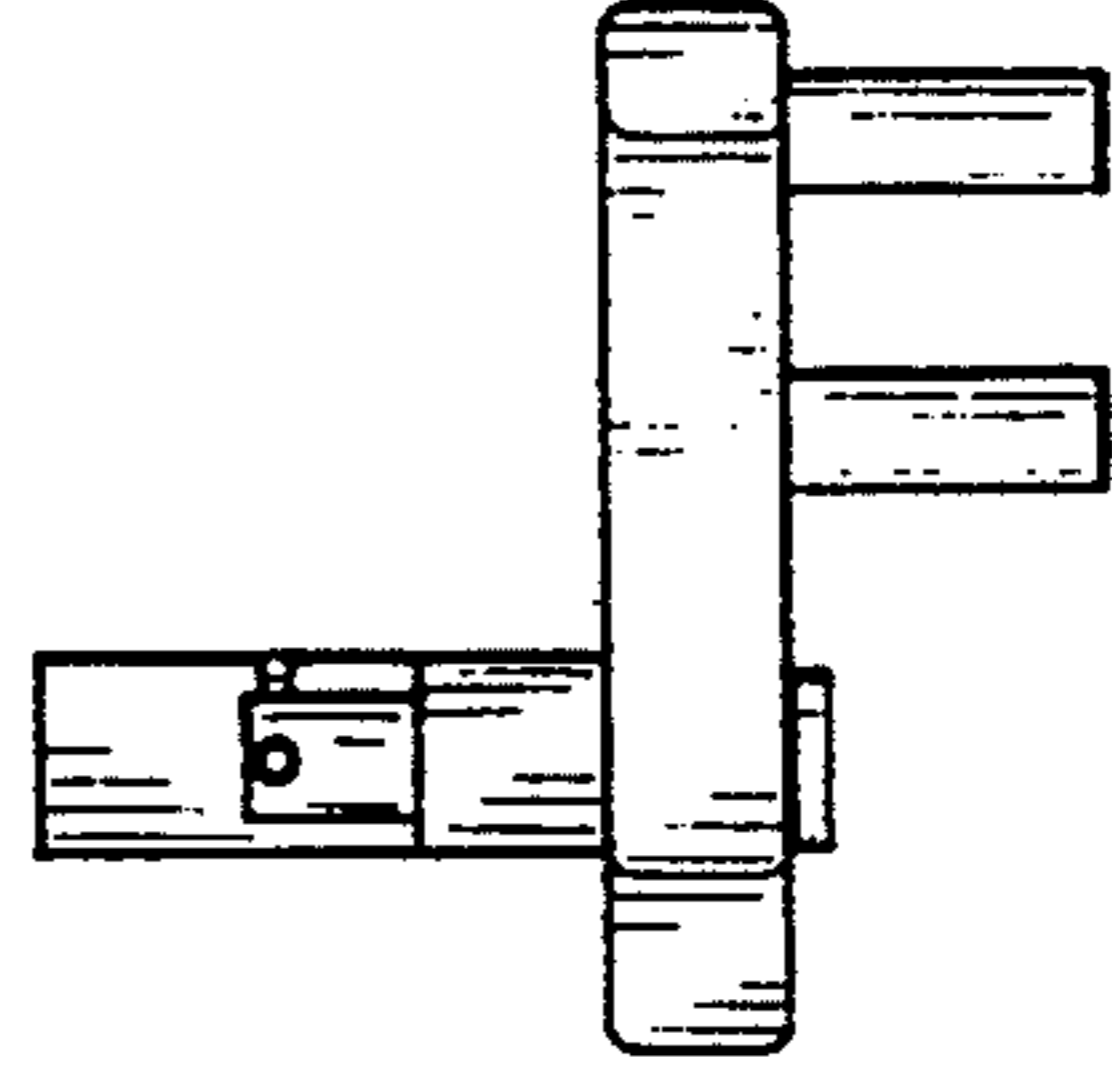


FIG-4



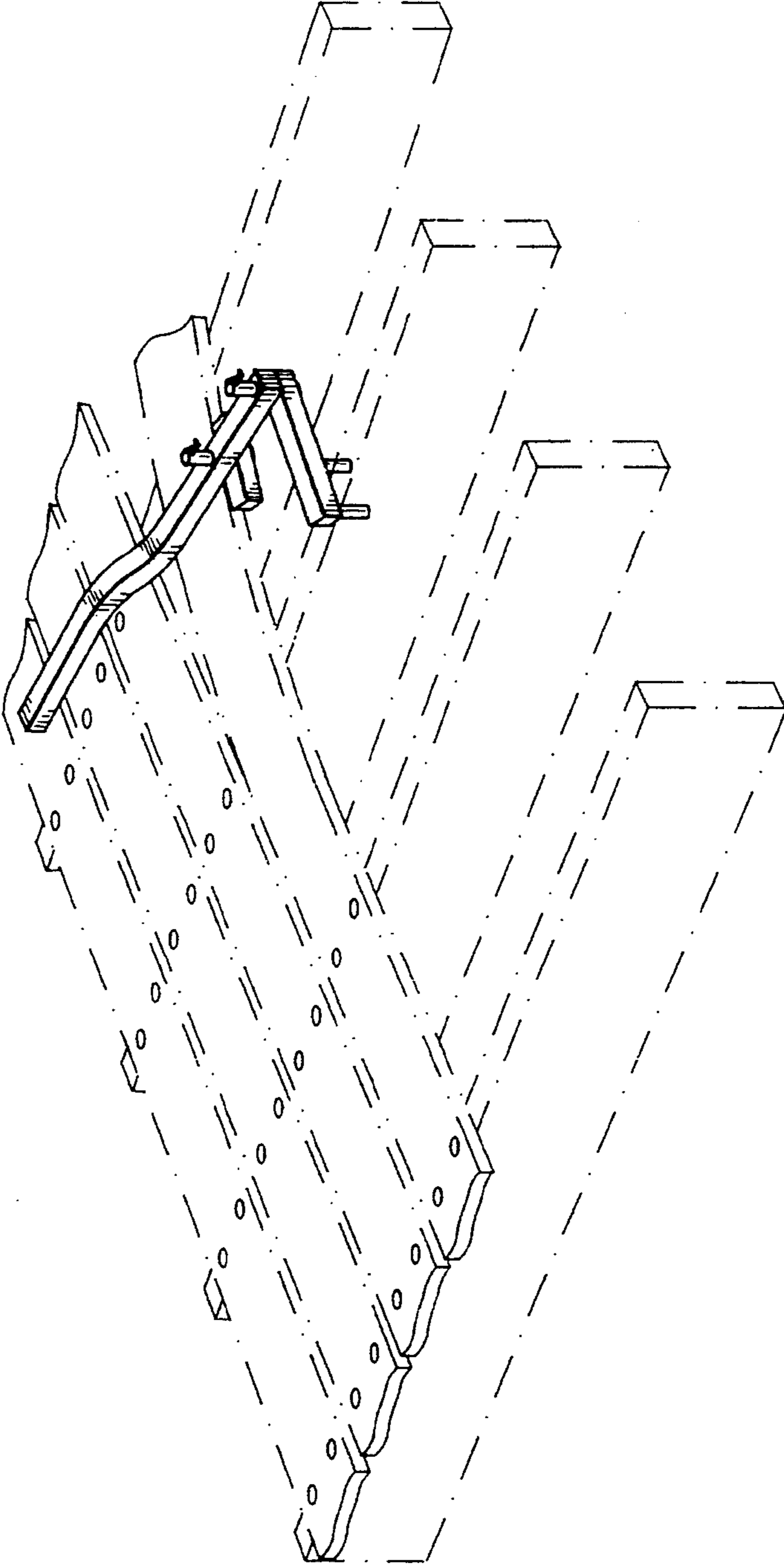


FIG-5

FIG-6

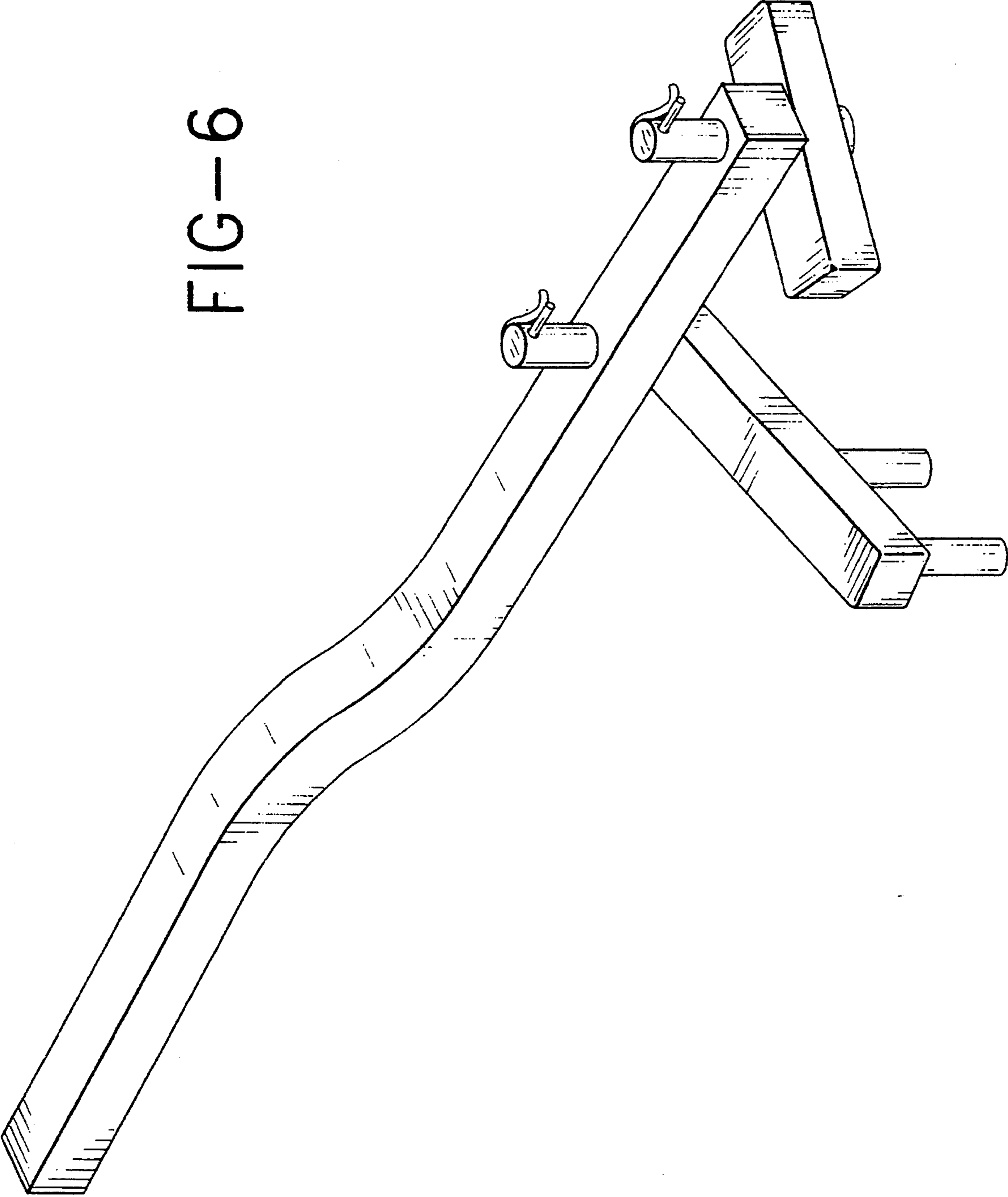


FIG-7

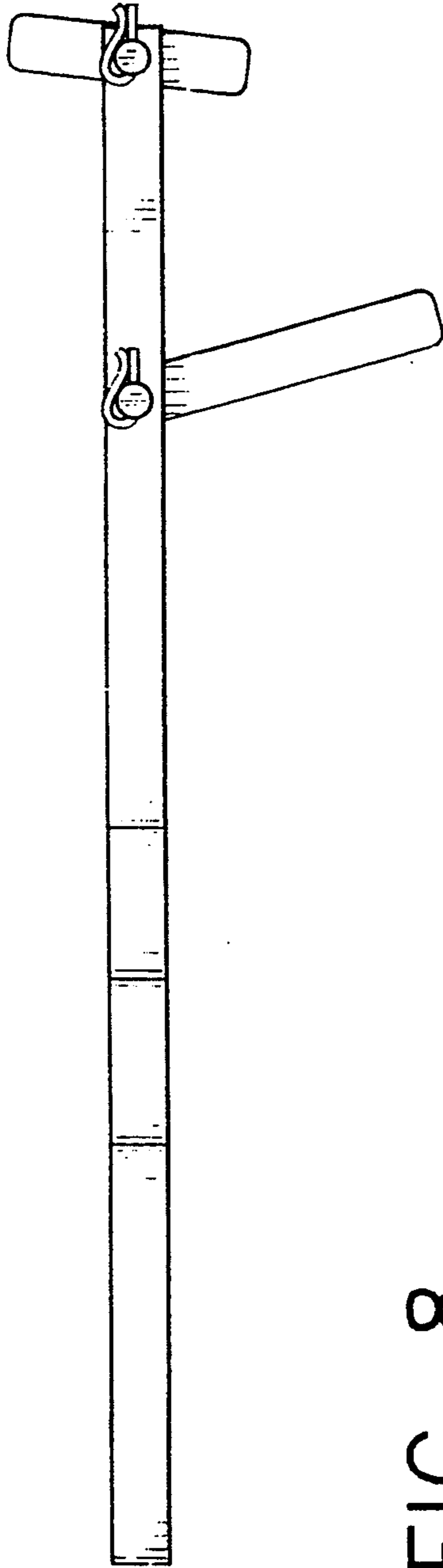


FIG-8

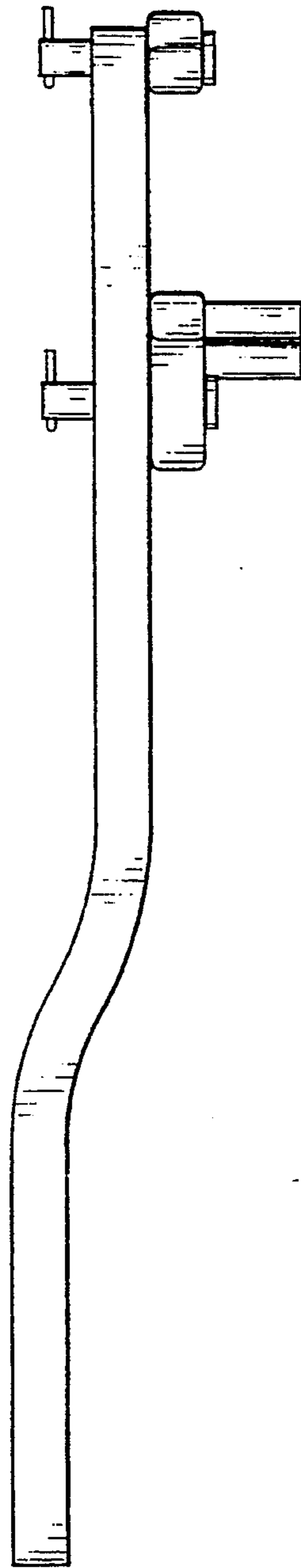
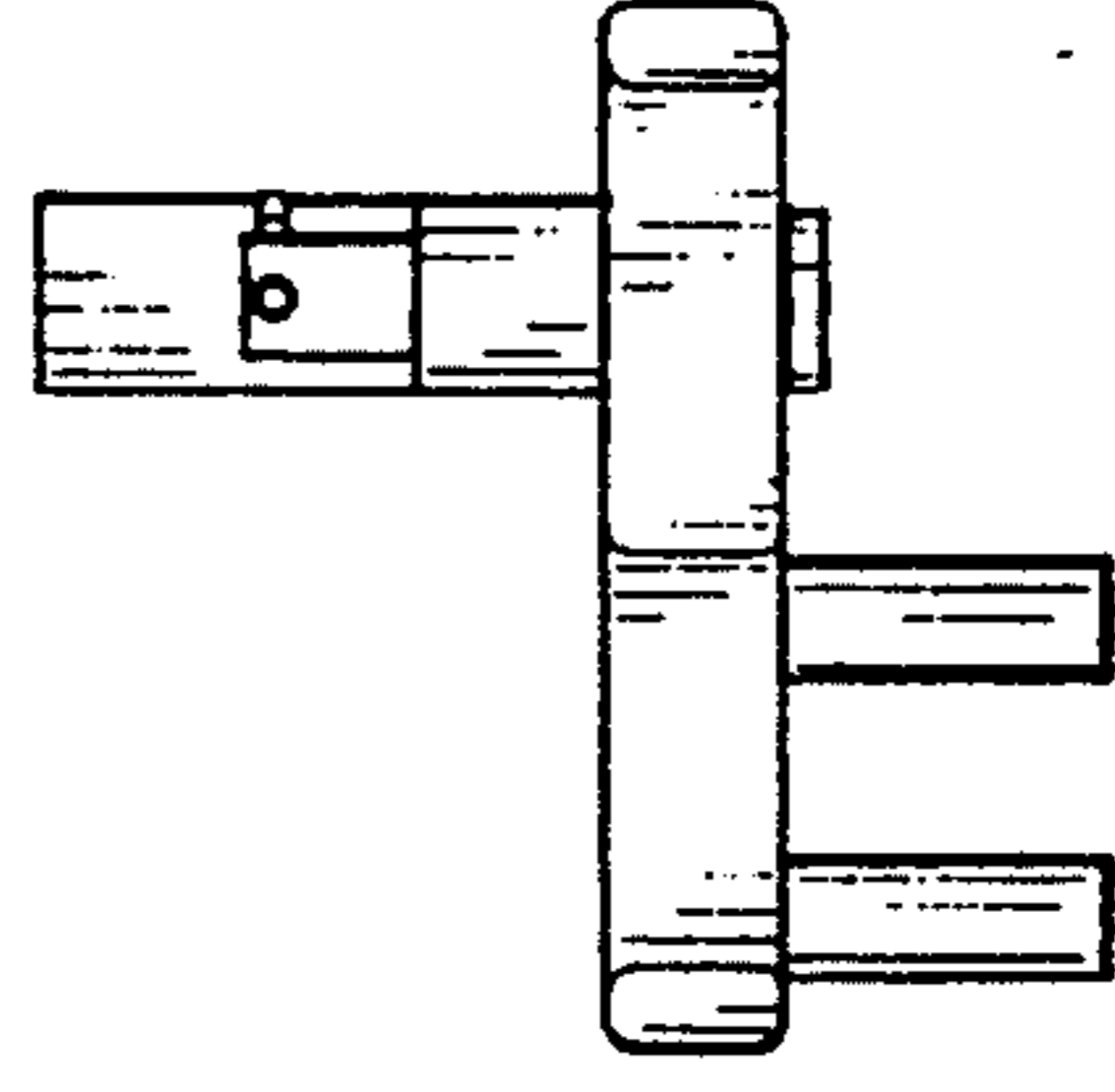


FIG-9





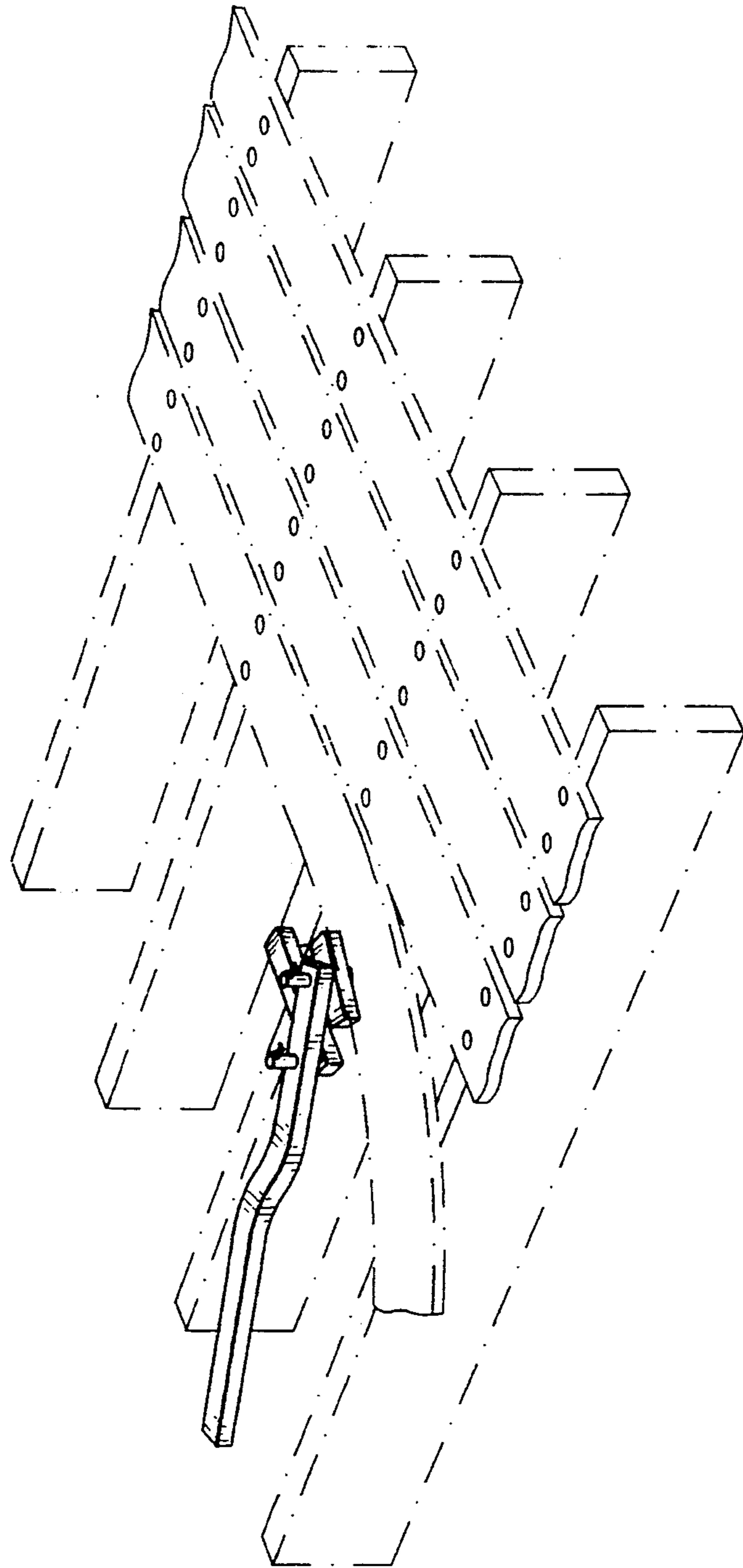


FIG-10