



US00D353986S

# United States Patent [19]

[11] Patent Number: **Des. 353,986**

**Maglica**

[45] Date of Patent: **\*\* Jan. 3, 1995**

[54] **CLAMP ASSEMBLY**

5,195,817 3/1993 Deccio ..... 362/72  
5,276,593 1/1994 Lighthill et al. .... 362/72

[75] Inventor: **Anthony Maglica, Anaheim, Calif.**

*Primary Examiner*—Alan P. Douglas  
*Assistant Examiner*—Jeffrey H. Musgrove  
*Attorney, Agent, or Firm*—Lyon & Lyon

[73] Assignee: **MAG Instrument, Inc., Ontario, Calif.**

[\*\*] Term: **14 Years**

[57] **CLAIM**

[21] Appl. No.: **11,807**

The ornamental design for a clamp assembly, as shown and described.

[22] Filed: **Aug. 13, 1993**

**DESCRIPTION**

[52] U.S. Cl. .... **D8/72; D12/114**

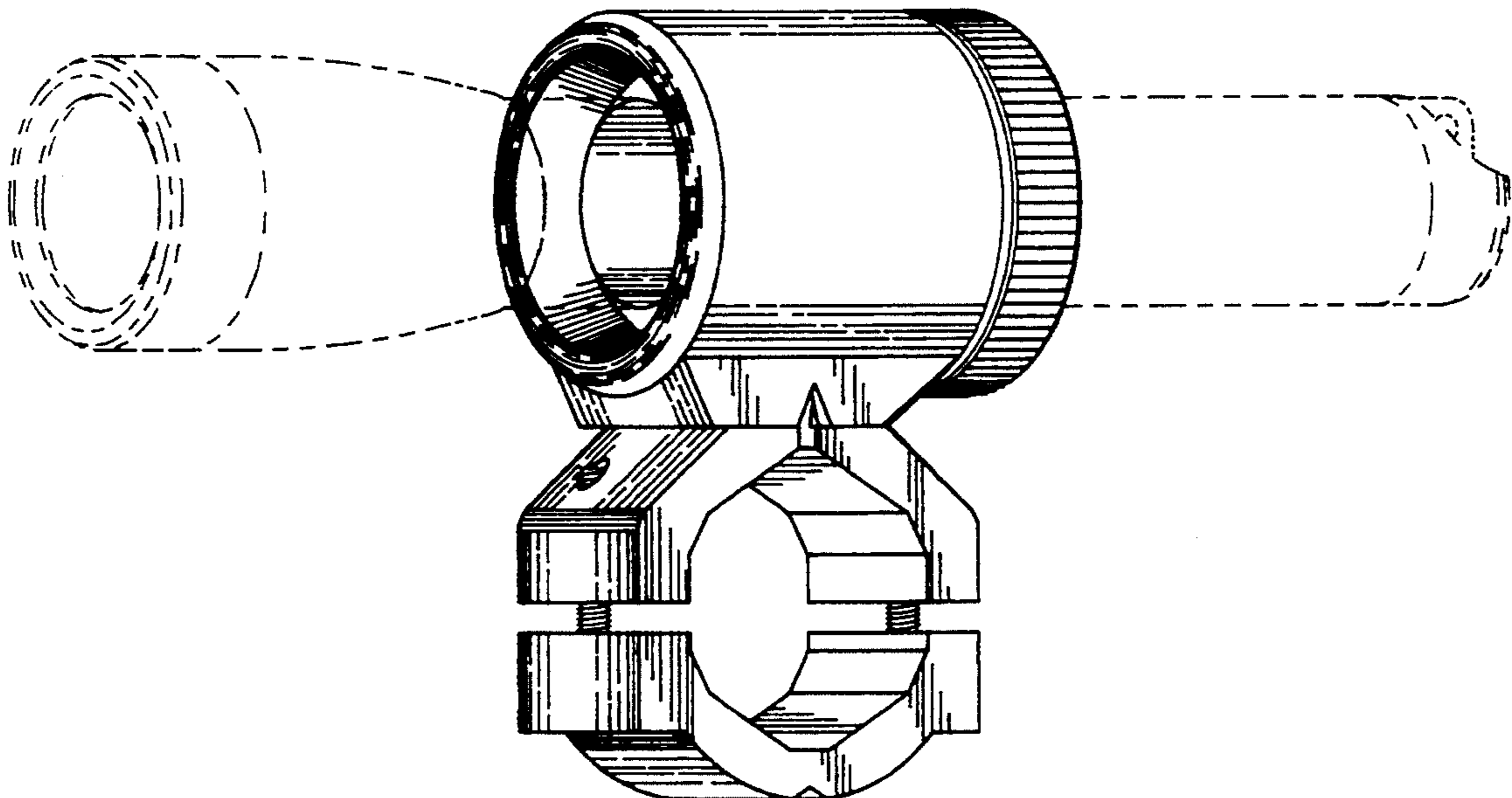
[58] Field of Search ..... **D12/114, 117, 223; D8/72, 71; 269/287; 248/288.3; 362/72**

FIG. 1 is a top view showing my new design with a flashlight illustrated in phantom;  
FIG. 2 is a right side view thereof, the left side view being a mirror image;  
FIG. 3 is a bottom view thereof;  
FIG. 4 is a right side view thereof with a lower clamp part inverted;  
FIG. 5 is a front view thereof;  
FIG. 6 is a back view thereof;  
FIG. 7 is a right front perspective view thereof;  
FIG. 8 is a right front perspective view thereof with the lower clamp rotated; and,  
FIG. 9 is a right rear perspective view with the lower clamp part as seen in FIG. 4.  
The broken line showing of the flashlight is for illustrative purposes only and forms no part of the claimed design.

[56] **References Cited**

**U.S. PATENT DOCUMENTS**

D. 304,565	11/1989	Lane	.....	D12/223
D. 304,567	11/1989	Lane	.....	D12/223
D. 305,628	1/1990	Mannier	.....	D12/114
4,577,261	3/1986	Tsuyama	.....	362/72
4,618,081	10/1986	Miree	.....	362/72
4,697,725	10/1987	Miree	.....	362/72
4,980,805	1/1990	Maglica et al.	.....	362/72
5,062,026	10/1991	Maglica et al.	.....	362/72
5,109,321	4/1992	Maglica et al.	.....	362/72
5,128,841	7/1992	Maglica et al.	.....	362/72
5,144,546	9/1992	Burdi	.....	362/72
5,184,884	2/1993	Maglica et al.	.....	362/72



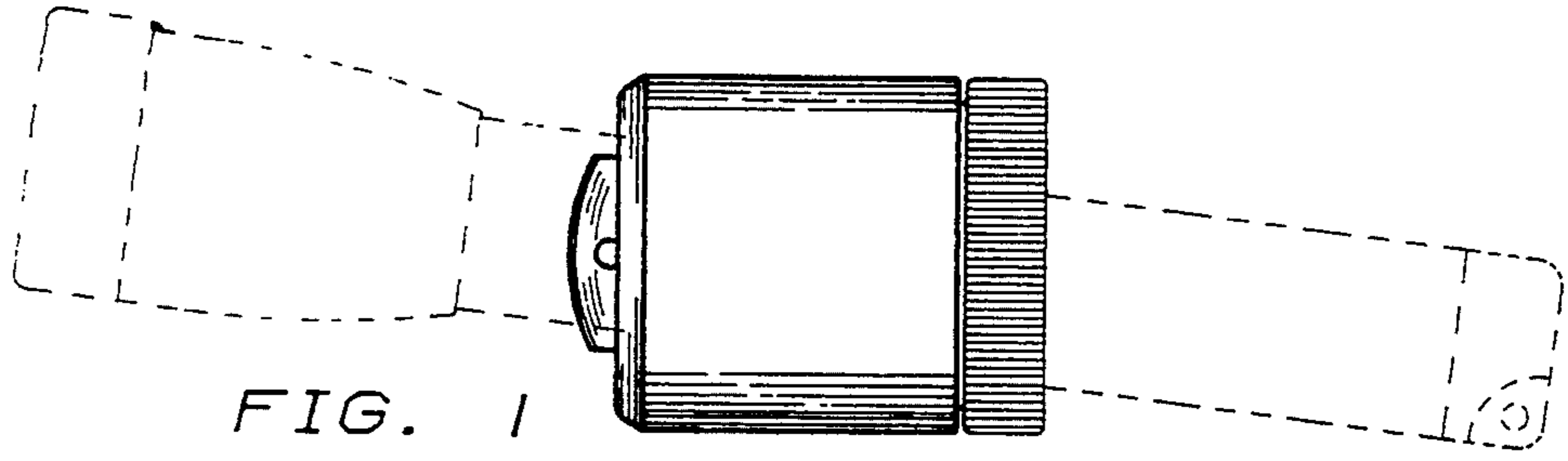


FIG. 1

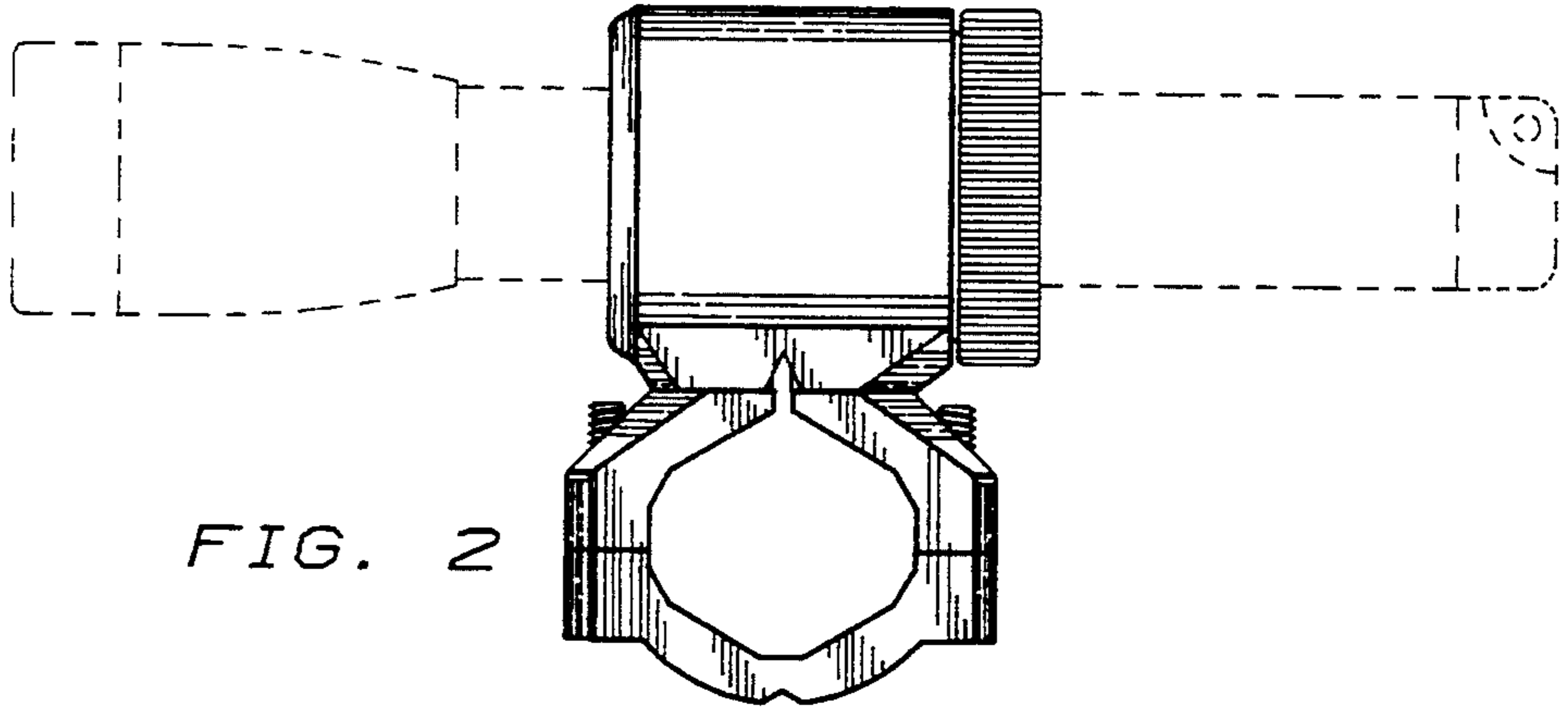


FIG. 2

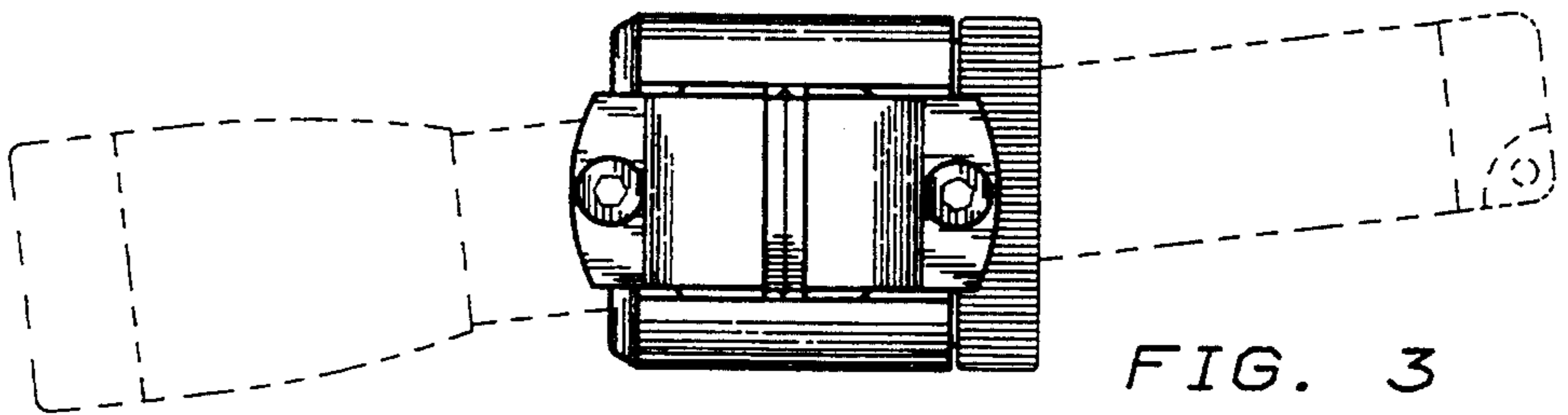


FIG. 3

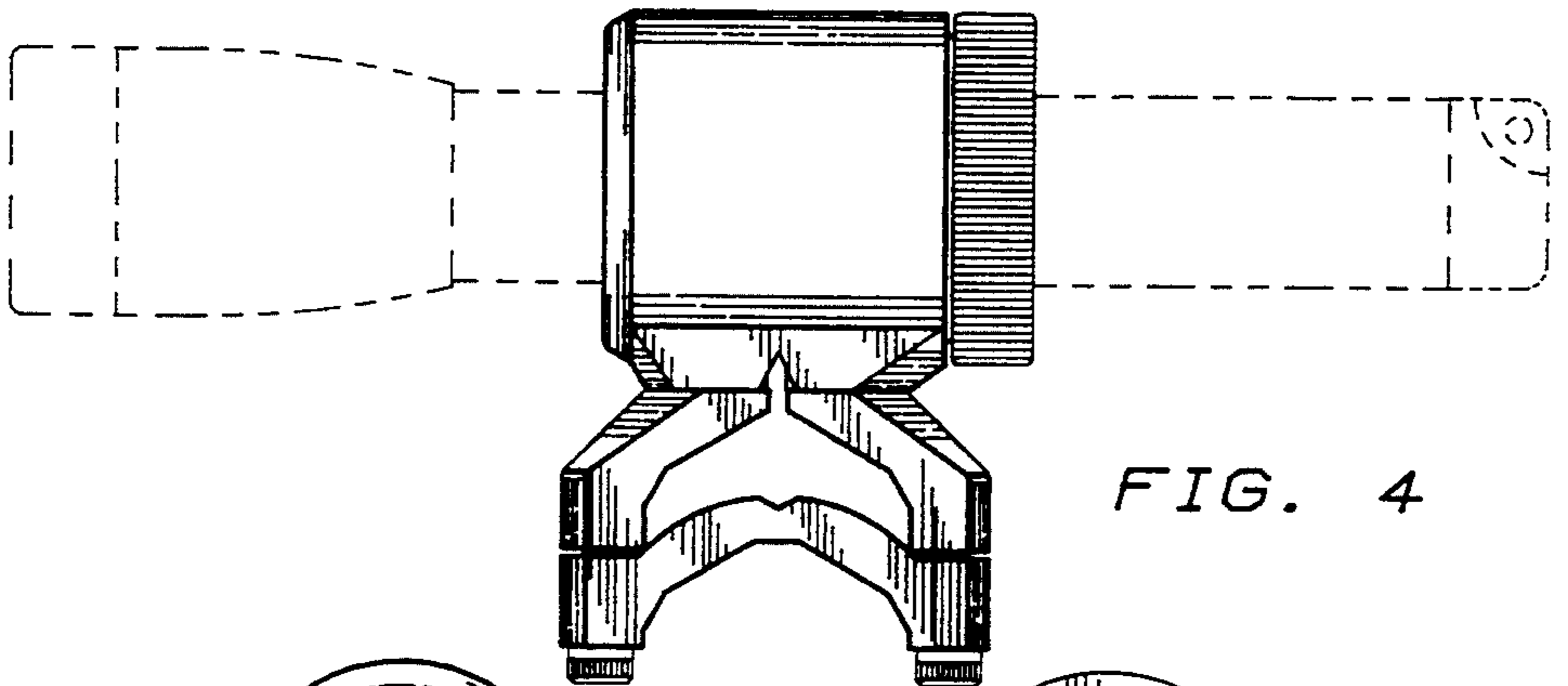


FIG. 4

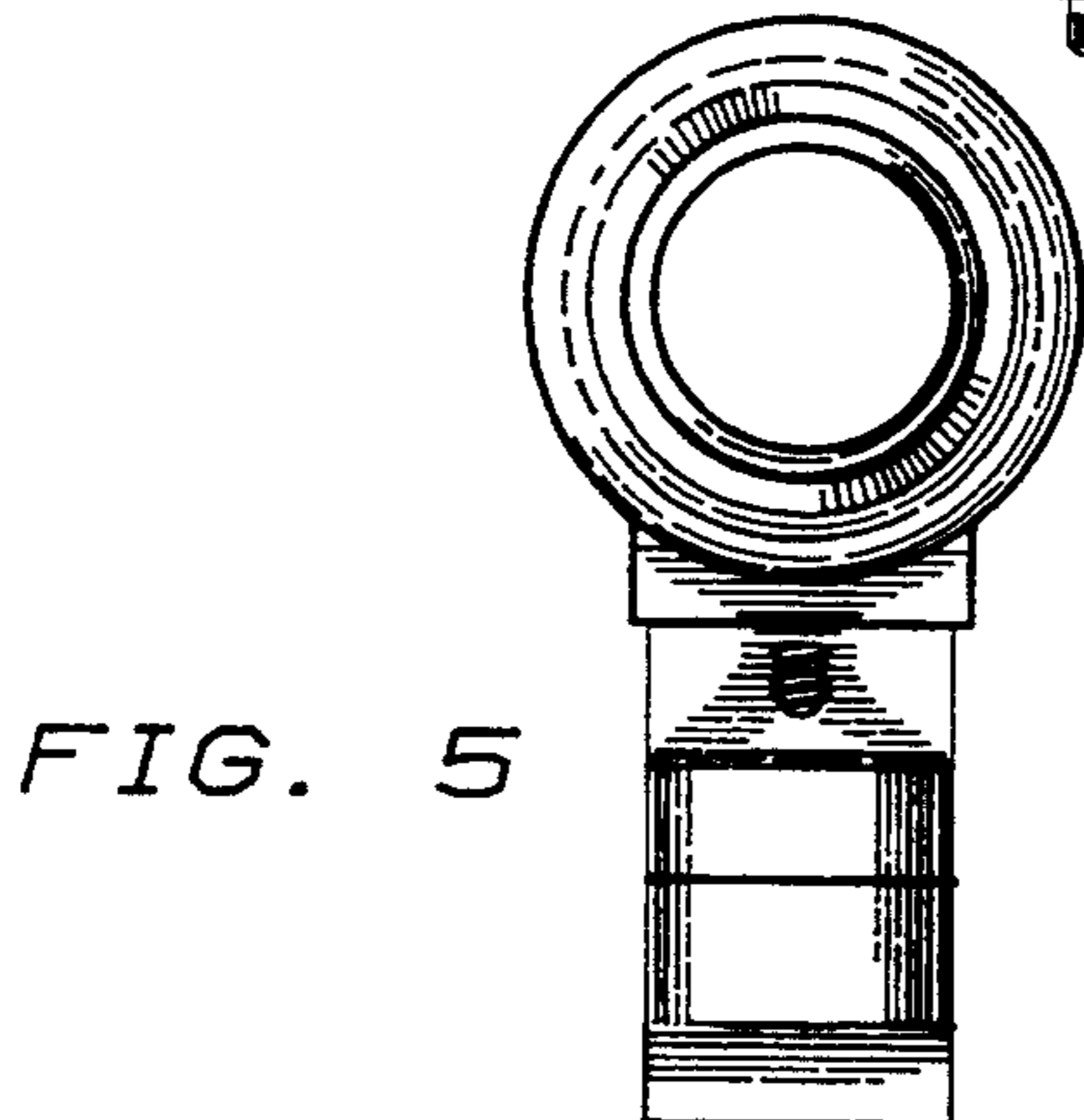


FIG. 5

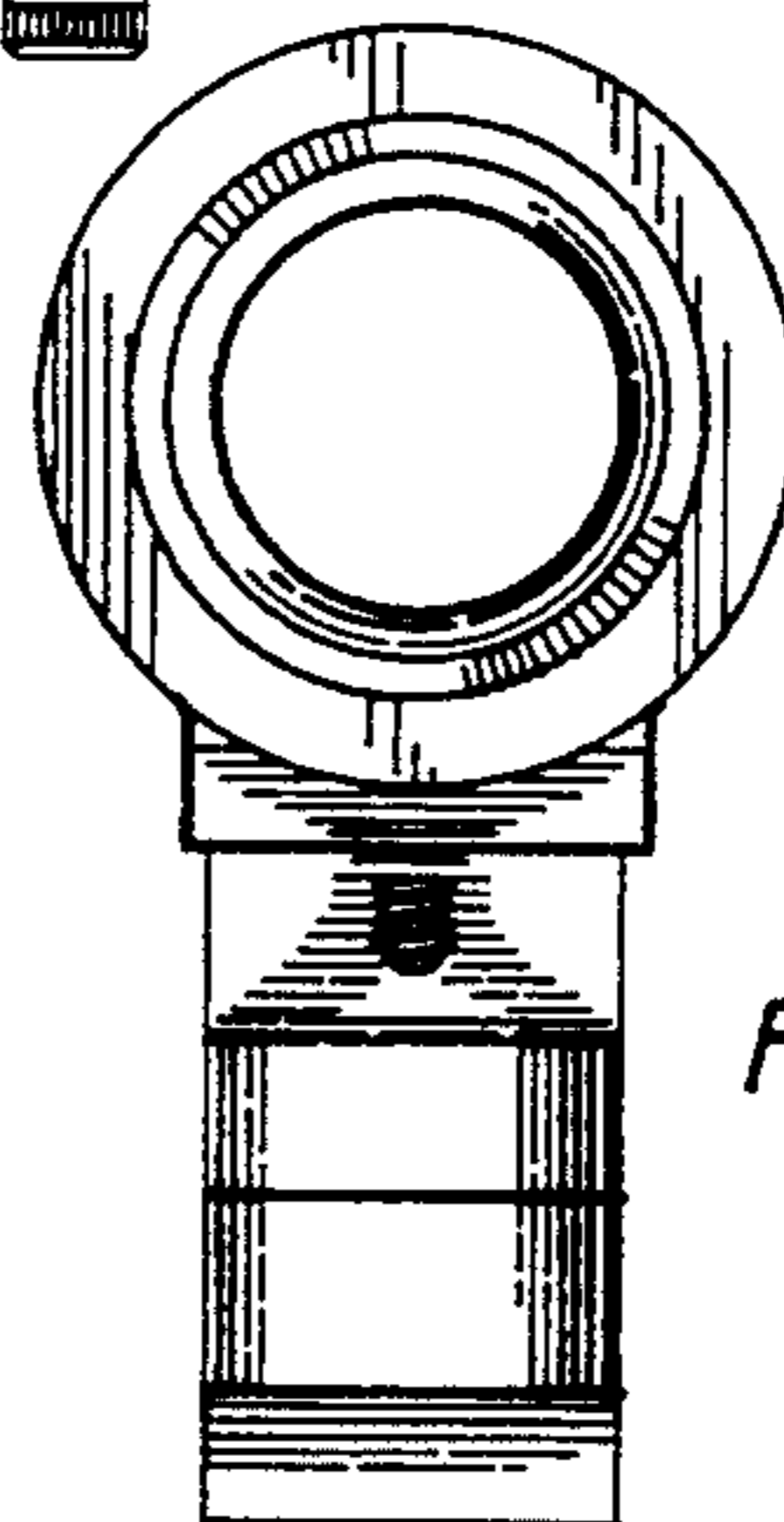


FIG. 6

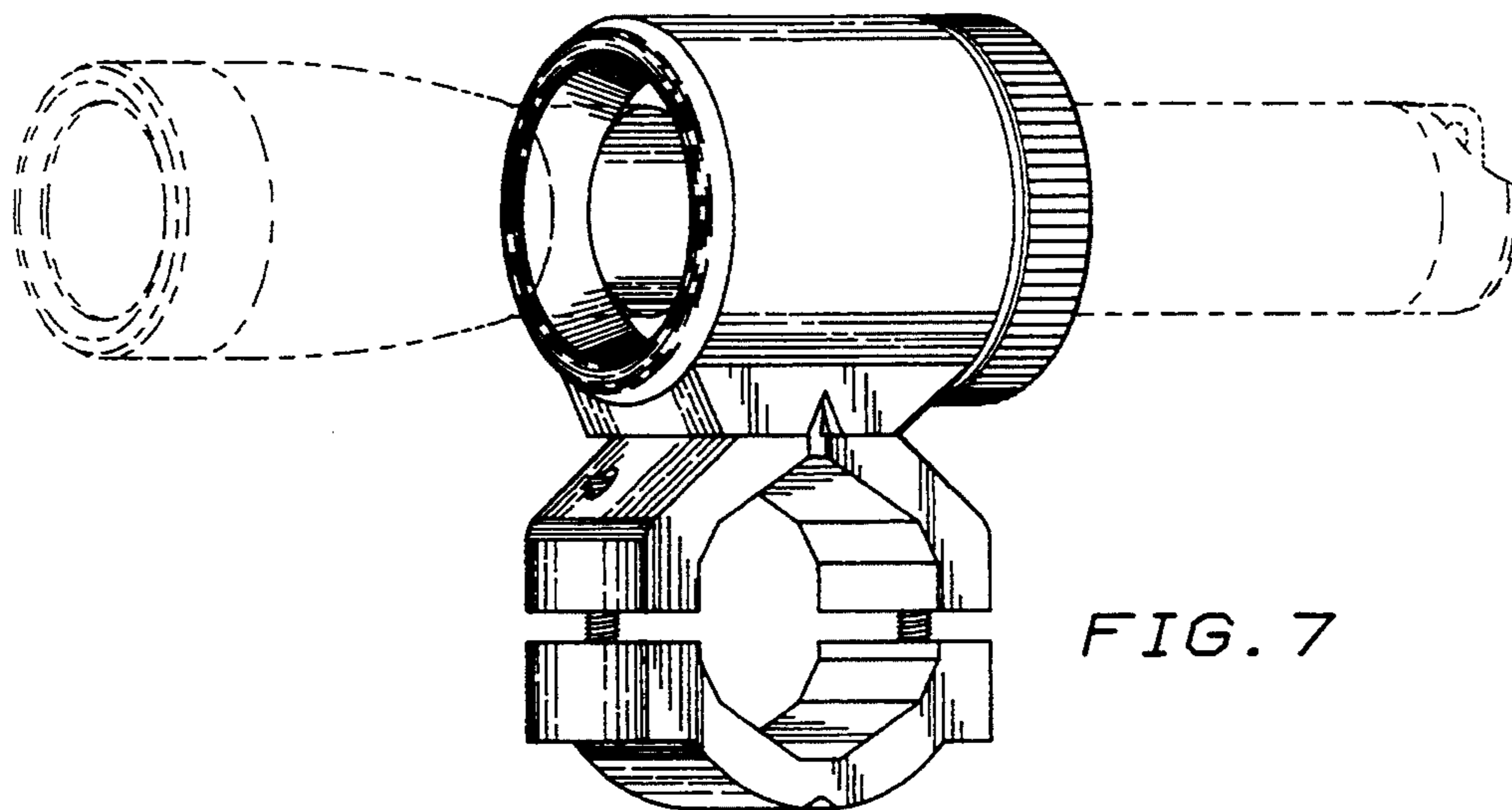


FIG. 7

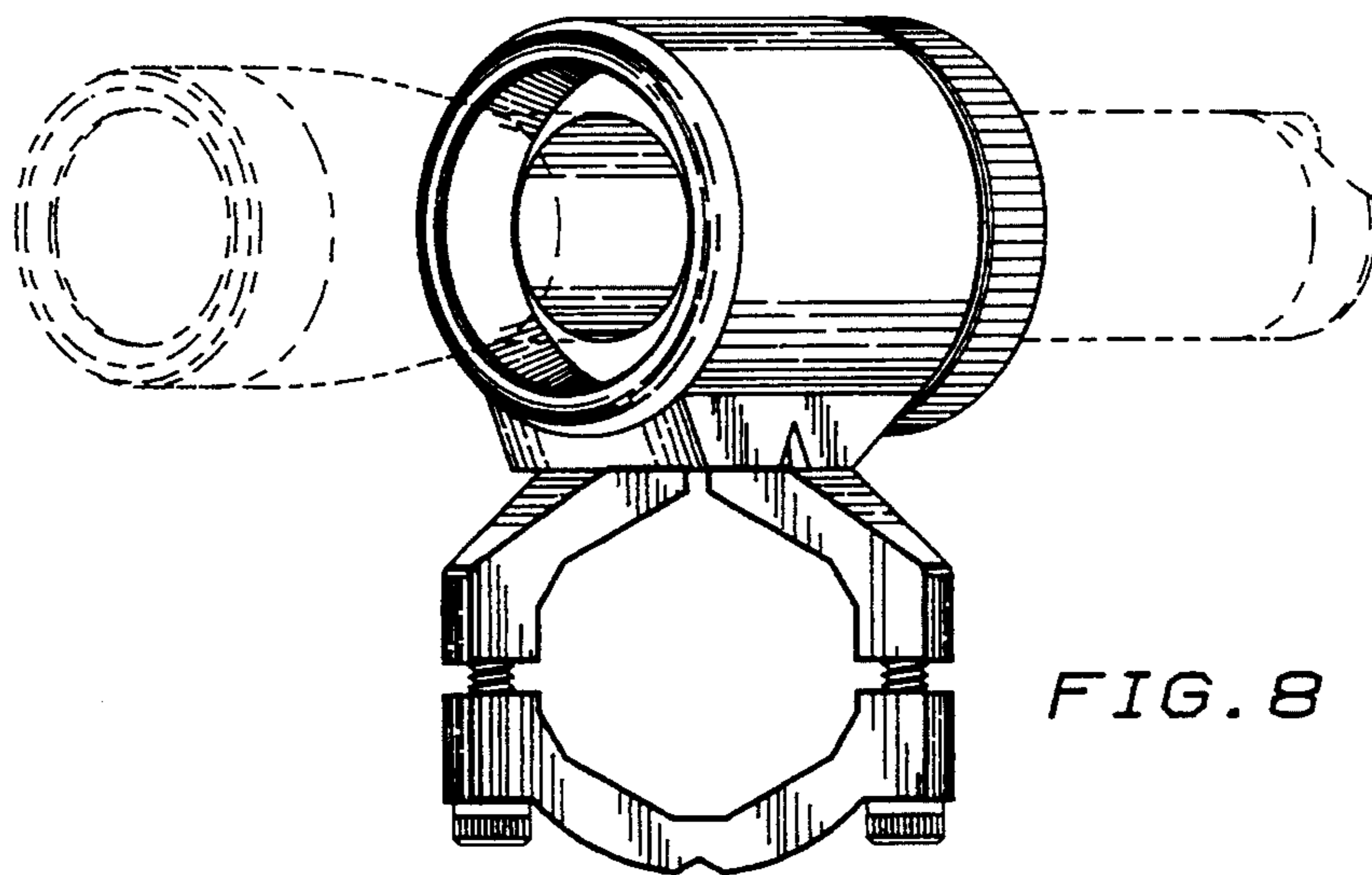


FIG. 8

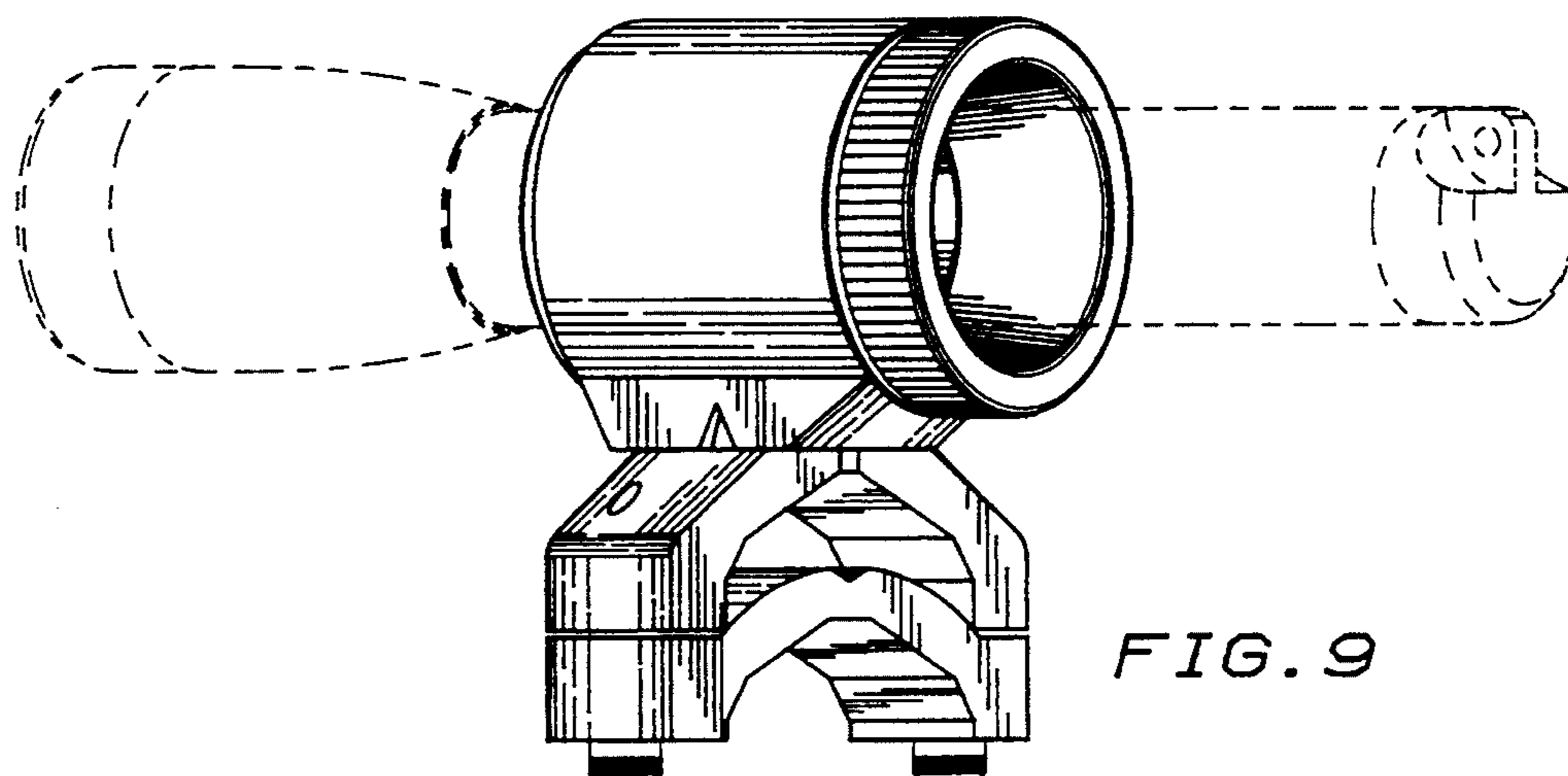


FIG. 9