



US00D353985S

United States Patent [19]

[11] Patent Number: **Des. 353,985**

Hanzek

[45] Date of Patent: **** Jan. 3, 1995**

[54] **CARBURETOR SUPPORT FOR A MOTOR SAW**

[56] **References Cited**

[75] Inventor: **Vinko Hanzek, Sparvgatan, Sweden**

U.S. PATENT DOCUMENTS

D. 296,058	6/1988	Pirrone	D6/522
4,372,468	2/1983	Harvey	211/70.6
4,541,533	9/1985	Uemura	211/70.6

[73] Assignee: **Aktiebolaget Electrolux, Sweden**

Primary Examiner—Alan P. Douglas
Assistant Examiner—J. H. Musgrove
Attorney, Agent, or Firm—Pearne, Gordon, McCoy & Granger

[**] Term: **14 Years**

[21] Appl. No.: **10,174**

[57] CLAIM

[22] Filed: **Jun. 29, 1993**

The ornamental design for a carburetor support for a motor saw, as shown and described.

[30] Foreign Application Priority Data

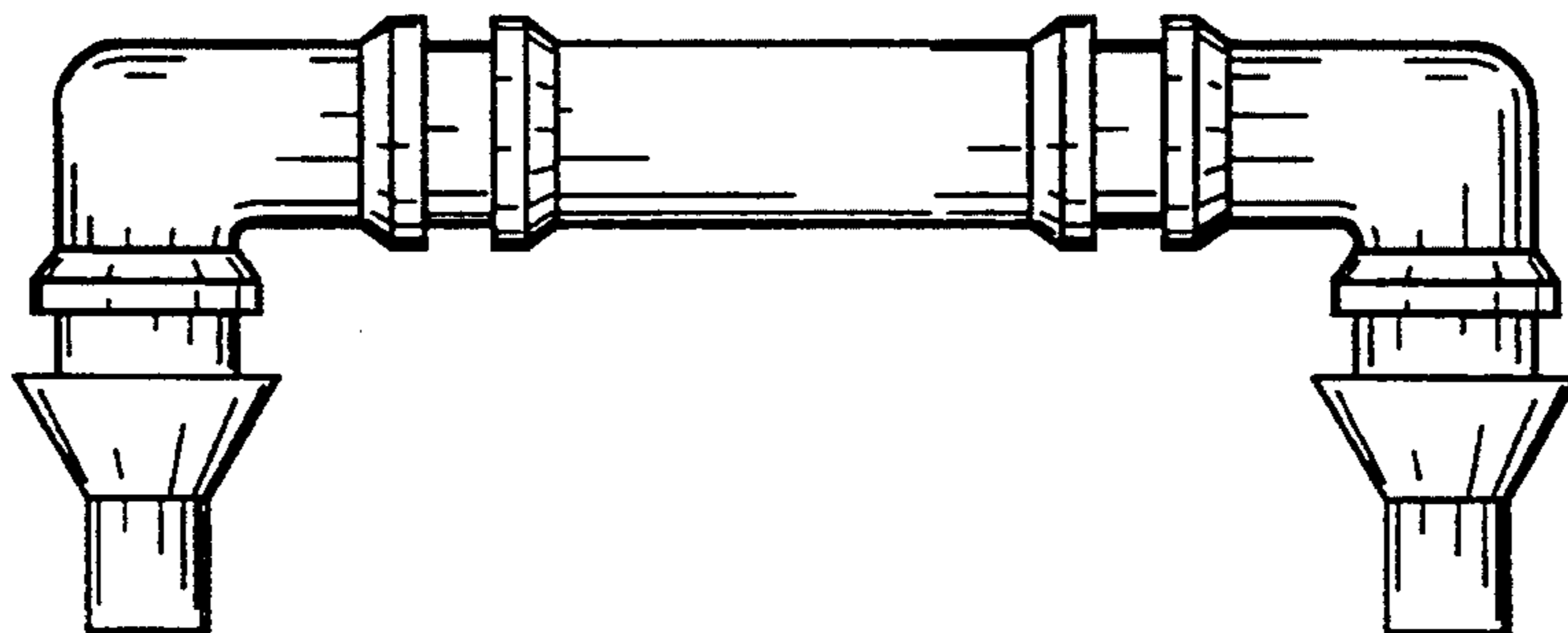
Jan. 8, 1993 [SE] Sweden 93-0029

[52] U.S. Cl. **D8/65**

[58] Field of Search D8/71, 65, 64, 70;
D6/522, 515, 518, 519, 520; 248/300; 211/70.6;
D15/5; D23/263, 266

DESCRIPTION

FIG. 1 is a front elevation view of a carburetor support for a motor saw, showing my new design;
FIG. 2 is a top plan view thereof;
FIG. 3 is a bottom plan view thereof; and,
FIG. 4 is an end view thereof.



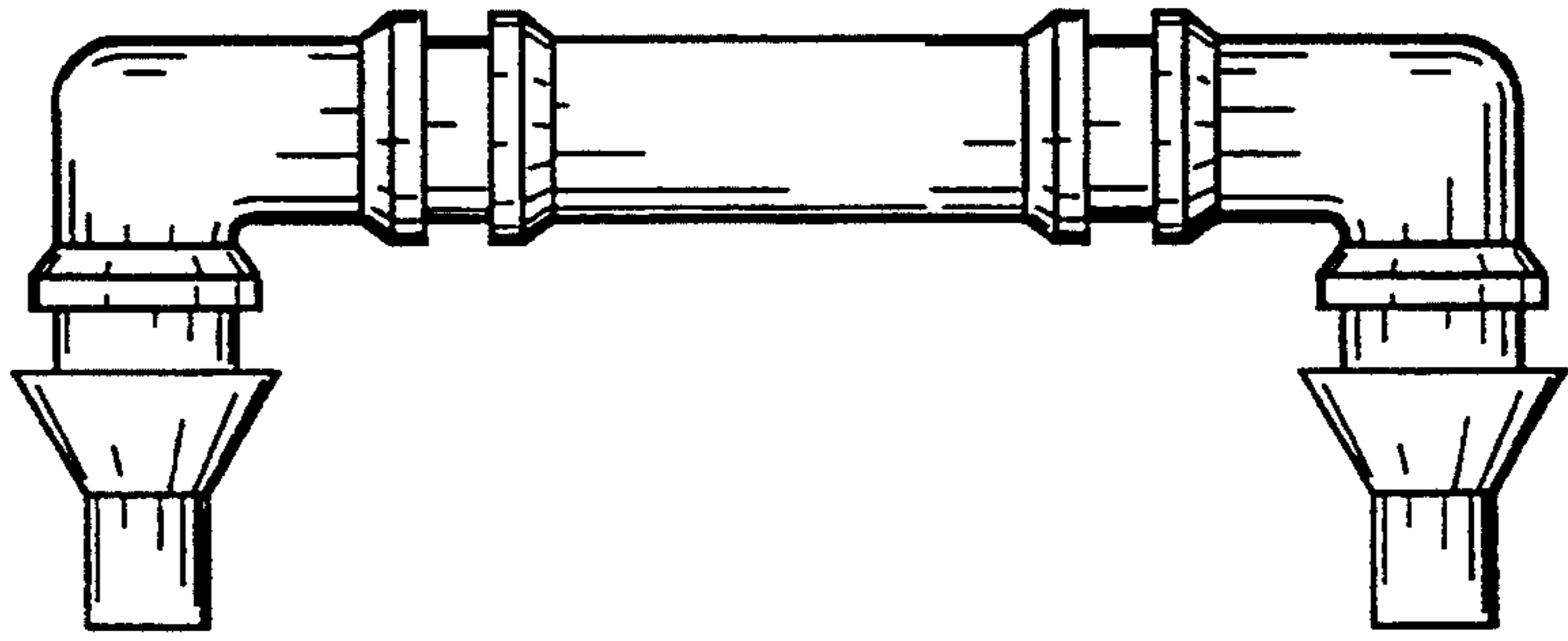


Fig.1

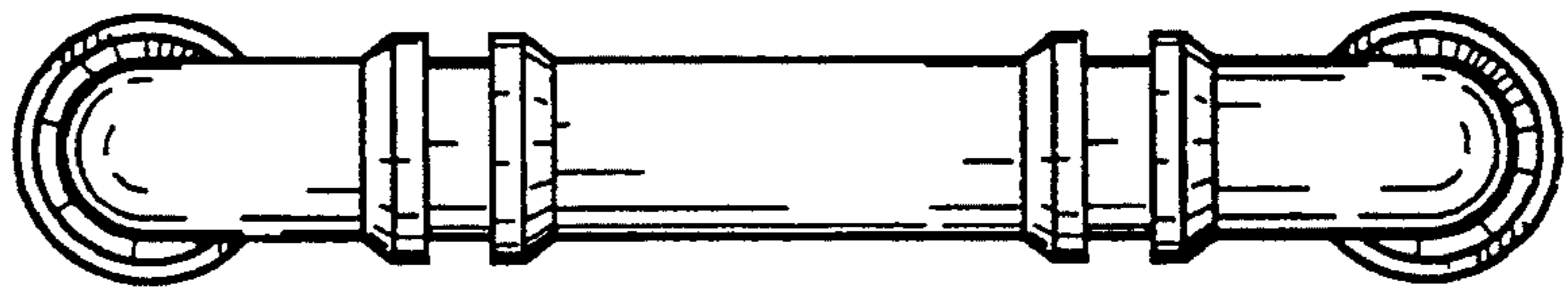


Fig.2

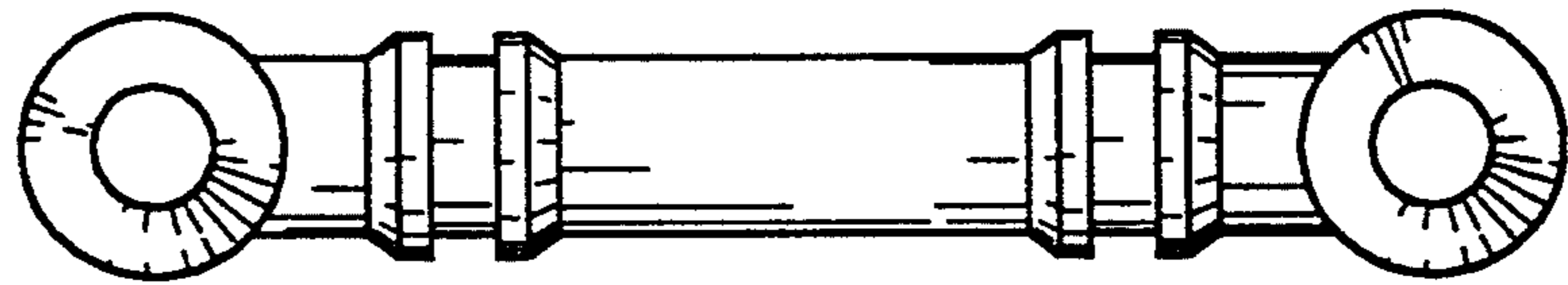


Fig.3

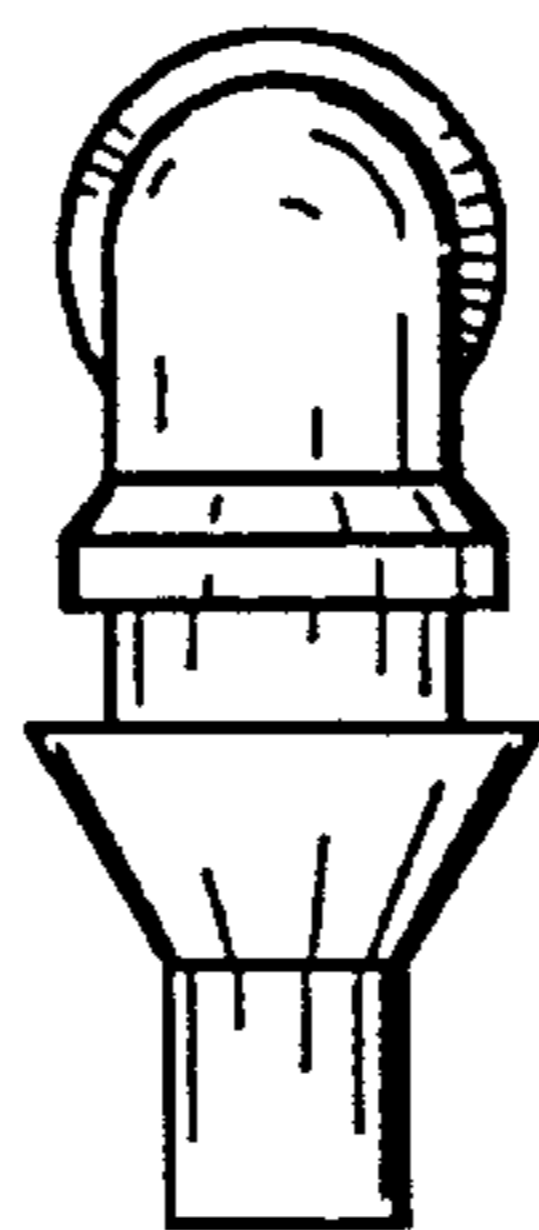


Fig.4