



US00D353983S

United States Patent [19]

[11] Patent Number: **Des. 353,983**

Rosenblad

[45] Date of Patent: **** Jan. 3, 1995**

[54] **STAPLER**

D. 274,783	7/1984	Rosenblad	D8/58
D. 277,161	1/1985	Miller et al.	D8/49
D. 301,677	6/1989	Rosenblad	D8/50

[75] Inventor: **Lars-Göran Rosenblad**, Huskvarna, Sweden

[73] Assignee: **Isaberg AB**, Hestra, Sweden

[**] Term: **14 Years**

[21] Appl. No.: **10,648**

[22] Filed: **Jul. 14, 1993**

[30] **Foreign Application Priority Data**

Jan. 25, 1993 [SE] Sweden 930162

[52] U.S. Cl. **D8/49**

[58] Field of Search D8/49, 50, 61, 69;
227/127, 128, 132, 134

[56] **References Cited**

U.S. PATENT DOCUMENTS

D. 189,501 12/1960 Goldring D8/69

OTHER PUBLICATIONS

ACCO Catalog, Jul. 1969 (Electric Stapler at the top left of the page).

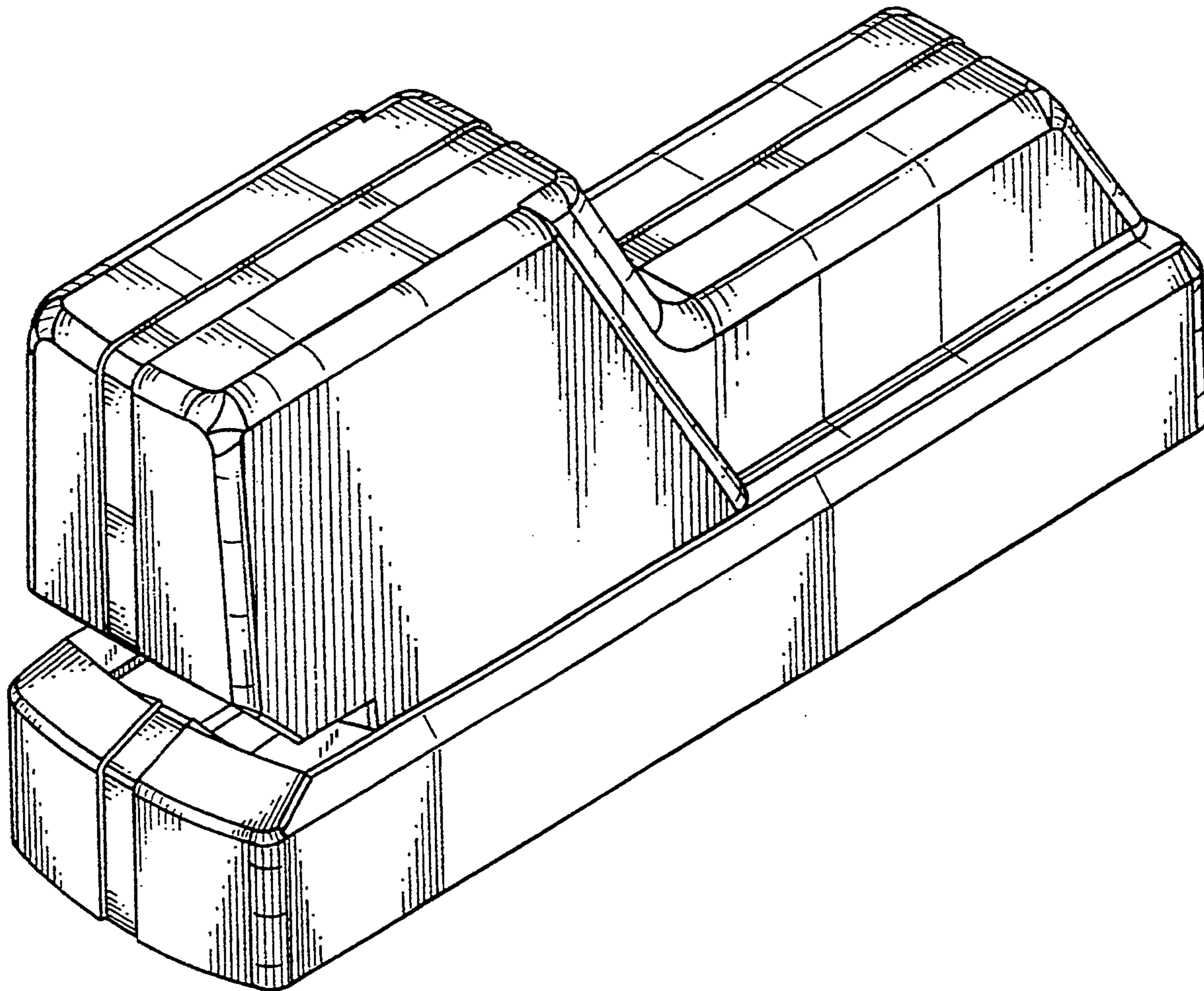
Primary Examiner—Bernard Ansher
Assistant Examiner—Adir Aronovich
Attorney, Agent, or Firm—Shapiro and Shapiro

[57] **CLAIM**

The ornamental design for a stapler, as shown.

DESCRIPTION

FIG. 1 is a top, front and left side perspective view of a stapler showing my new design;
FIG. 2 is a top, rear and right side perspective view thereof; and,
FIG. 3 is a front, bottom and left side perspective view thereof.



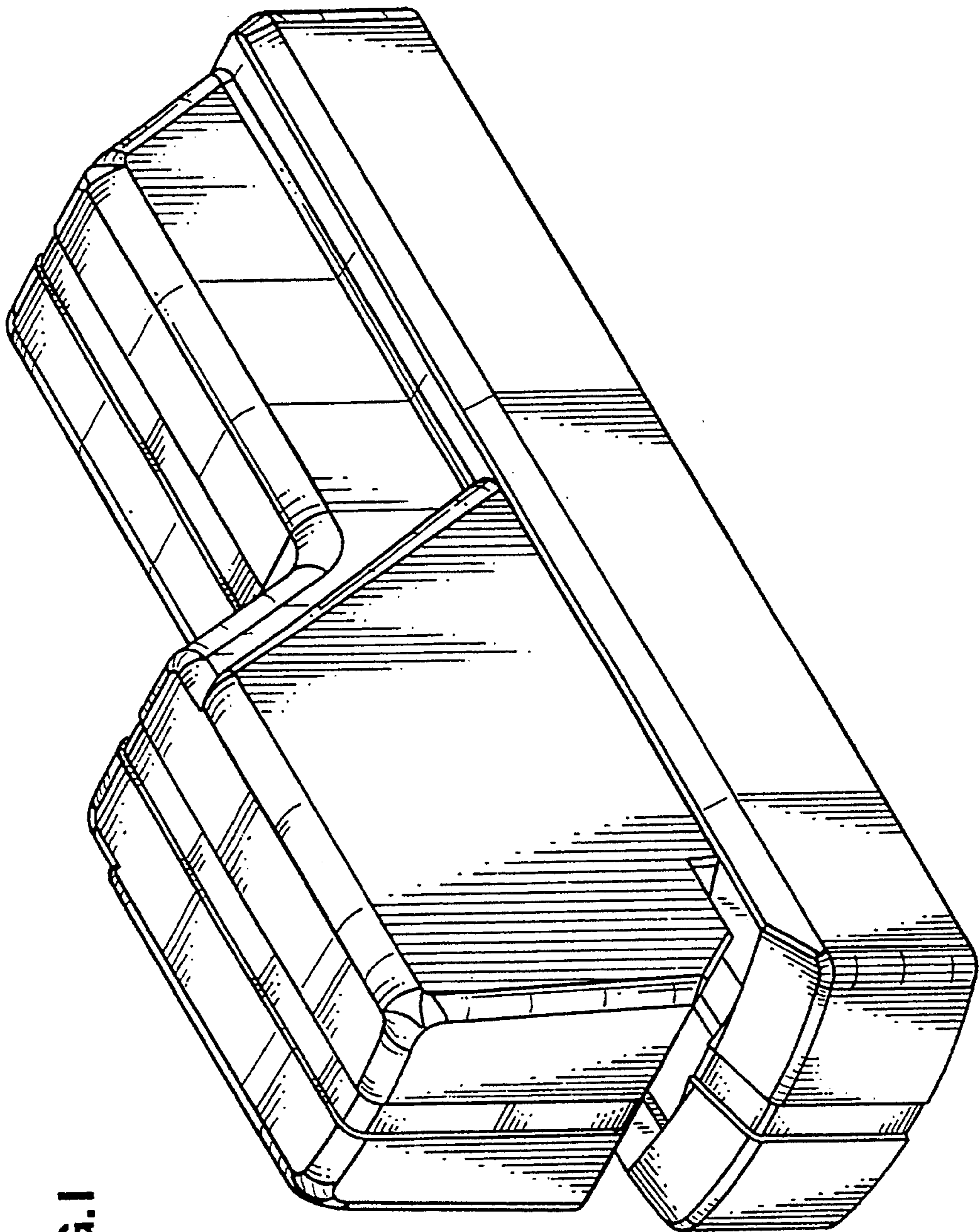


FIG. 1

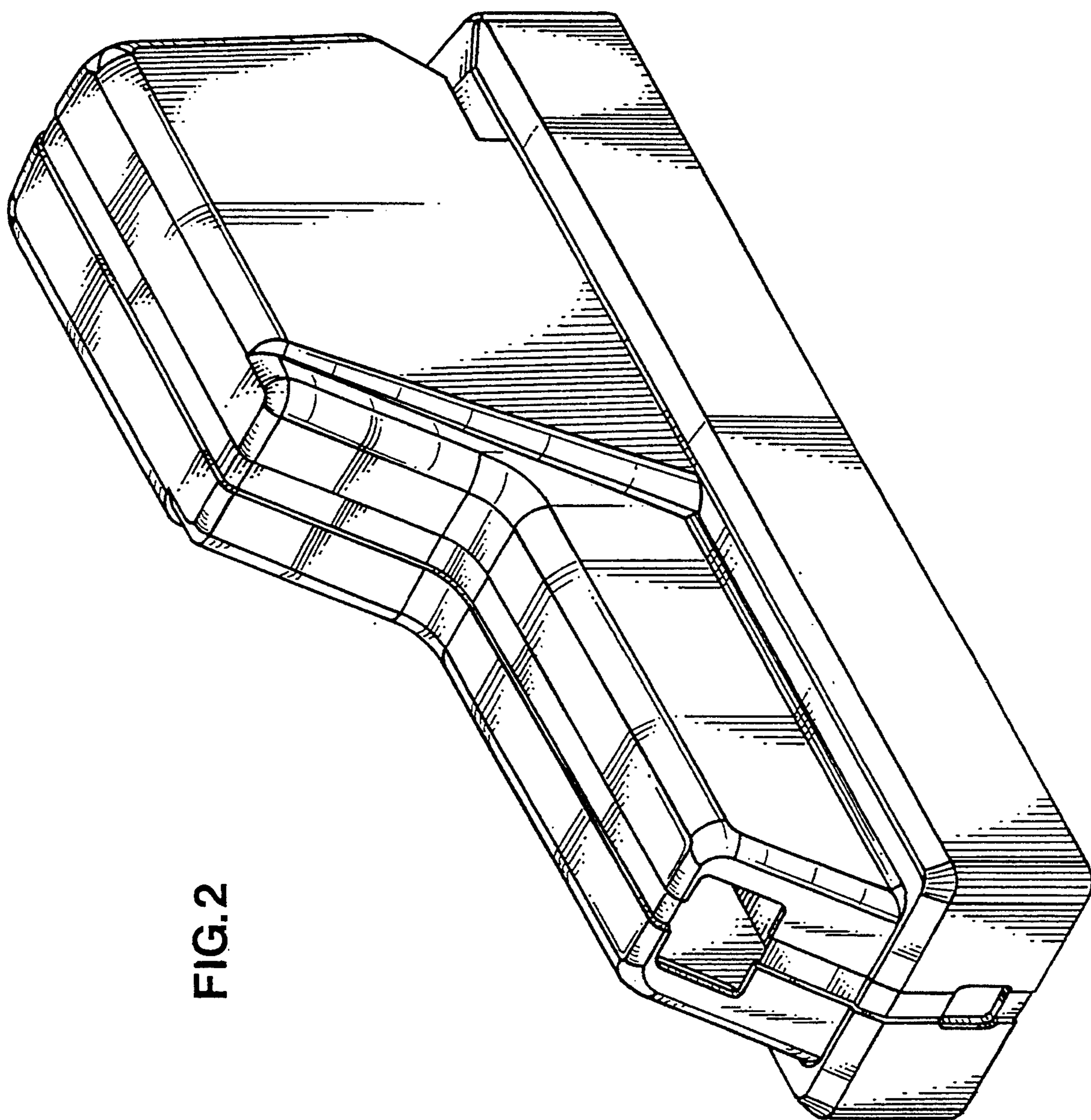


FIG.2

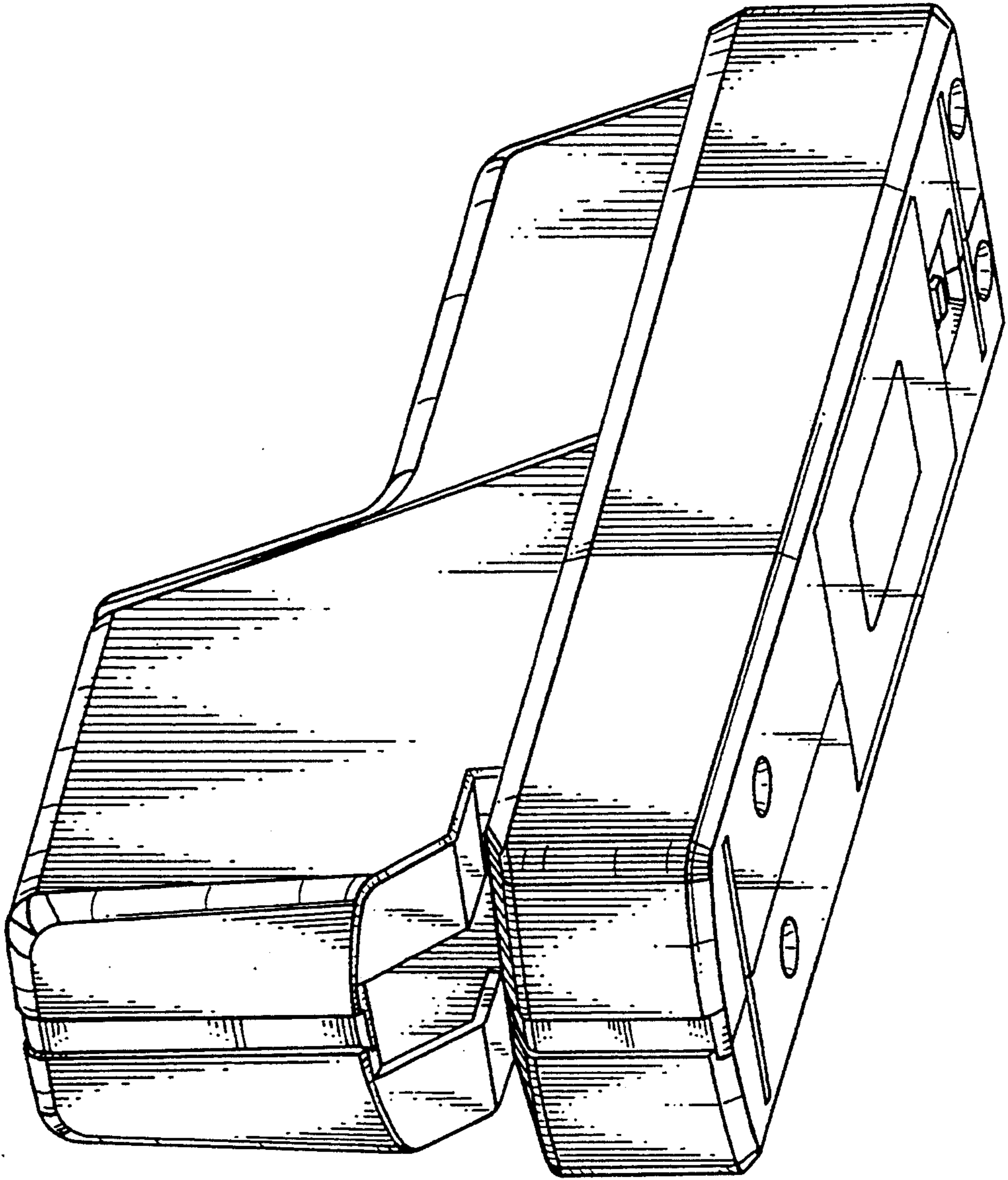


FIG. 3