



US00D353980S

United States Patent [19]

[11] Patent Number: **Des. 353,980**

Johnson

[45] Date of Patent: **** Jan. 3, 1995**

[54] **RAKE**

FOREIGN PATENT DOCUMENTS

[76] Inventor: **Edward M. Johnson**, 4105D 57th A Avenue, Lloydminster, Alberta, Canada, T9V 1V1

2574617 6/1986 France 172/375

[**] Term: **14 Years**

Primary Examiner—Wallace R. Burke
Assistant Examiner—H. Baynham
Attorney, Agent, or Firm—Hugh E. Smith

[21] Appl. No.: **20,956**

[57] CLAIM

[22] Filed: **Apr. 5, 1994**

The ornamental design for a rake, as shown and described.

[52] U.S. Cl. **D8/13**

DESCRIPTION

[58] Field of Search **D8/13; 56/400.01, 400.04-400.21; 172/371-372, 375-376**

FIG. 1 is a front elevational view of the rake showing my new design;
FIG. 2 is a rear elevational view thereof;
FIG. 3 is a left side elevational view thereof;
FIG. 4 is a right side elevational view thereof;
FIG. 5 is a top plan view thereof; and,
FIG. 6 is a bottom plan view thereof.
The handle of the rake is shown broken away to show indeterminate length.

[56] References Cited

U.S. PATENT DOCUMENTS

2,790,297	4/1957	Gardner	56/400.14
3,374,614	3/1968	Dacheux, Jr.	56/400.14
5,125,459	6/1992	Richards	D8/13 X

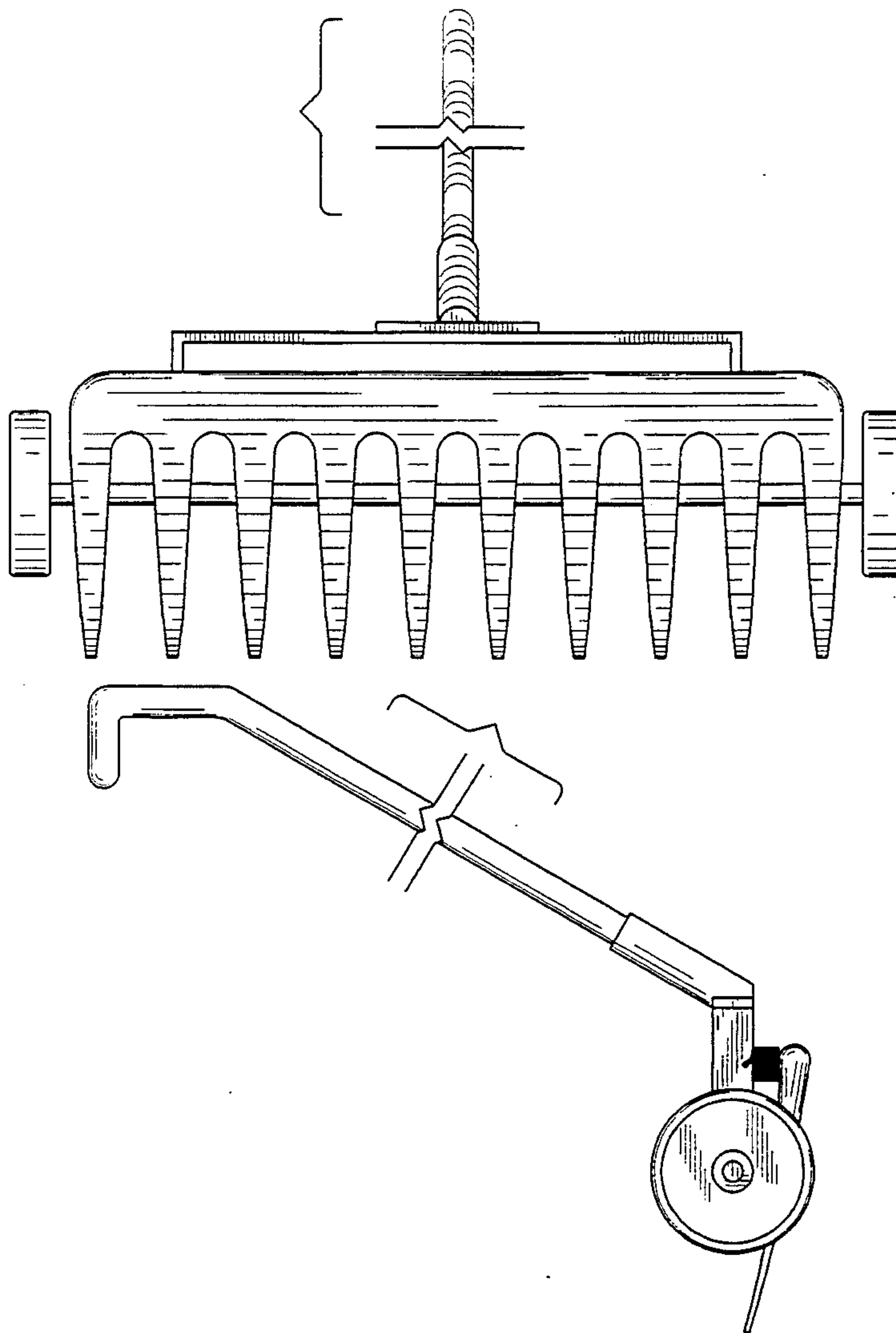


FIG. 1

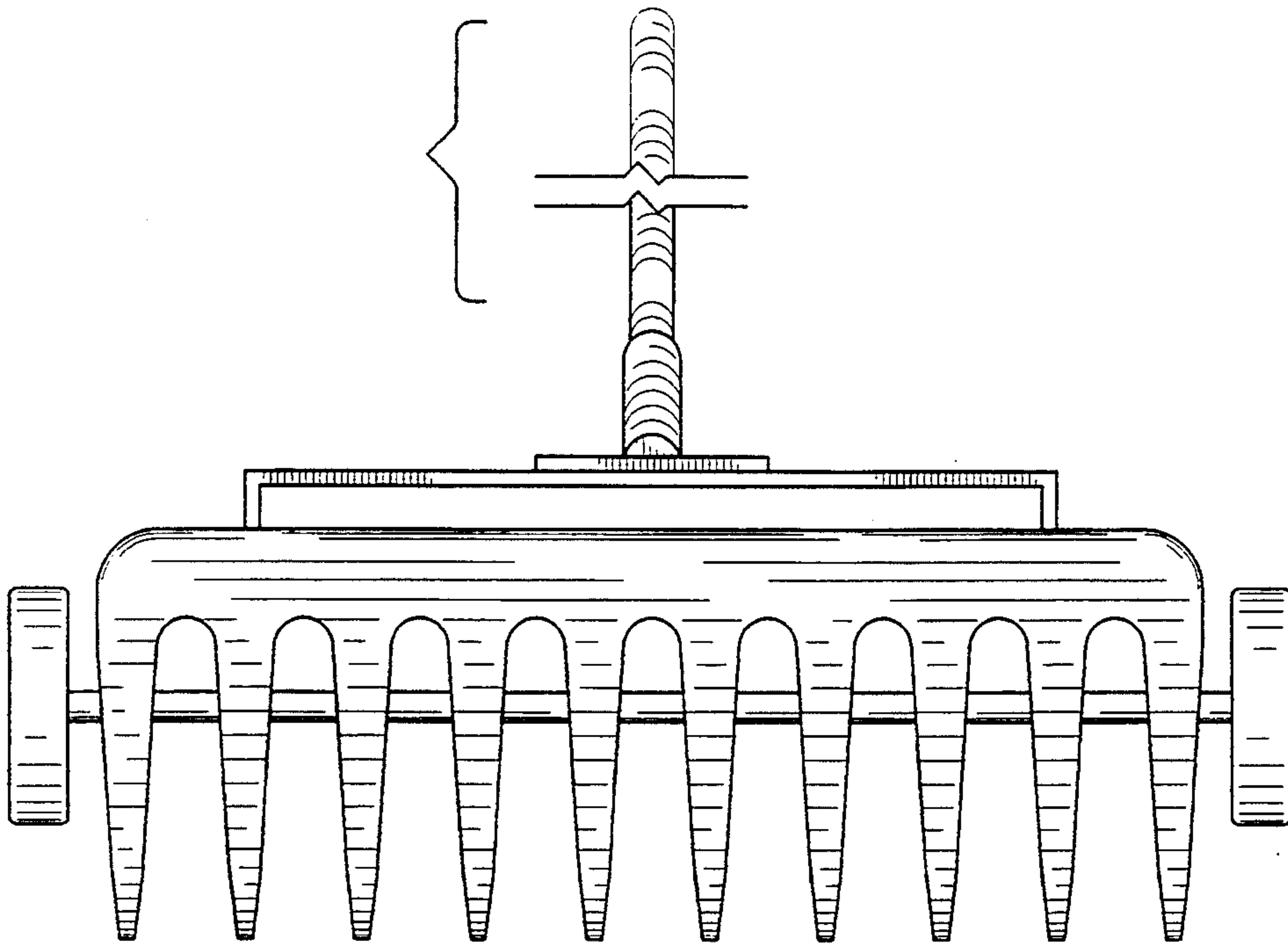


FIG. 2

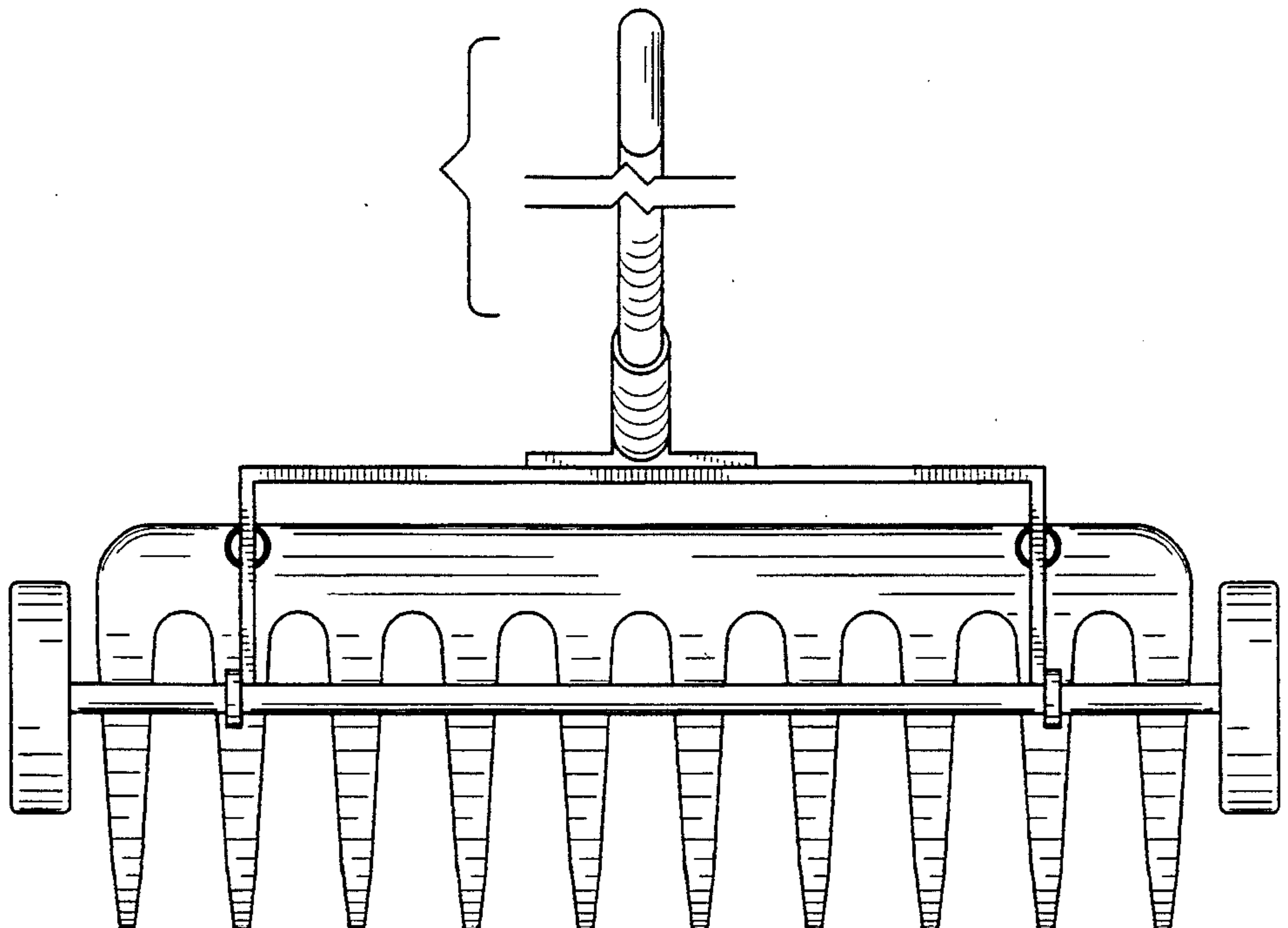


FIG. 3

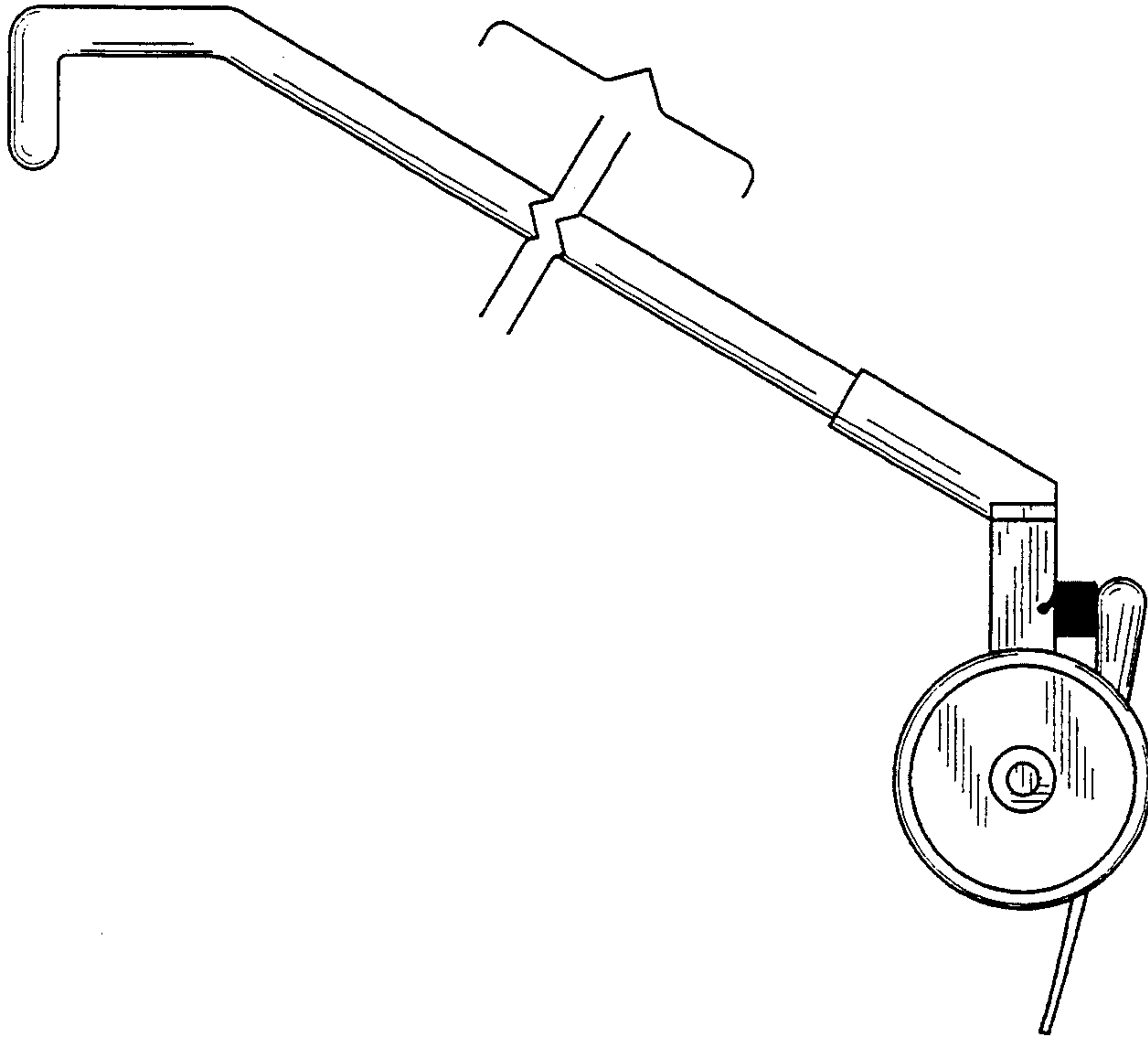


FIG. 4

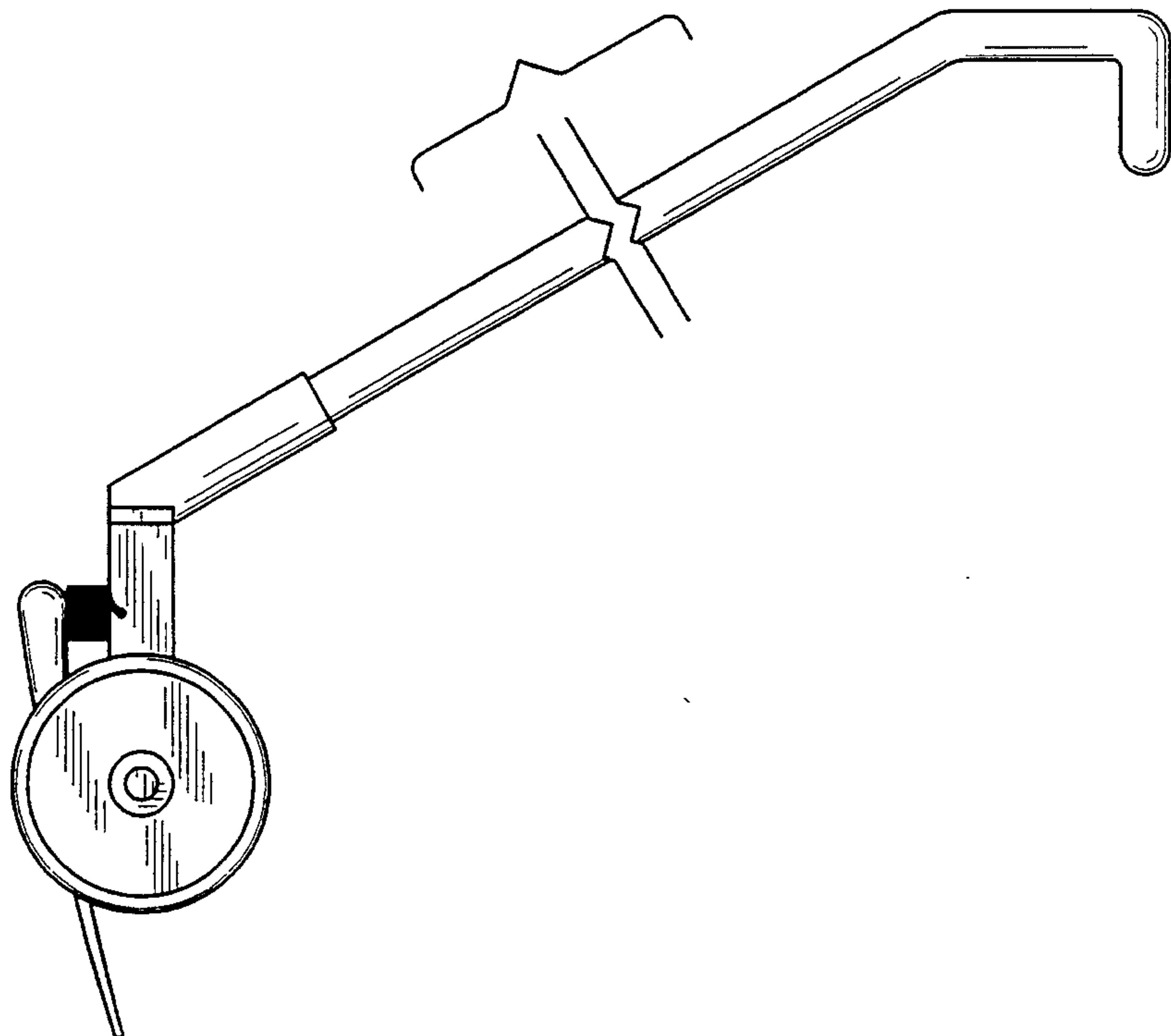


FIG. 5

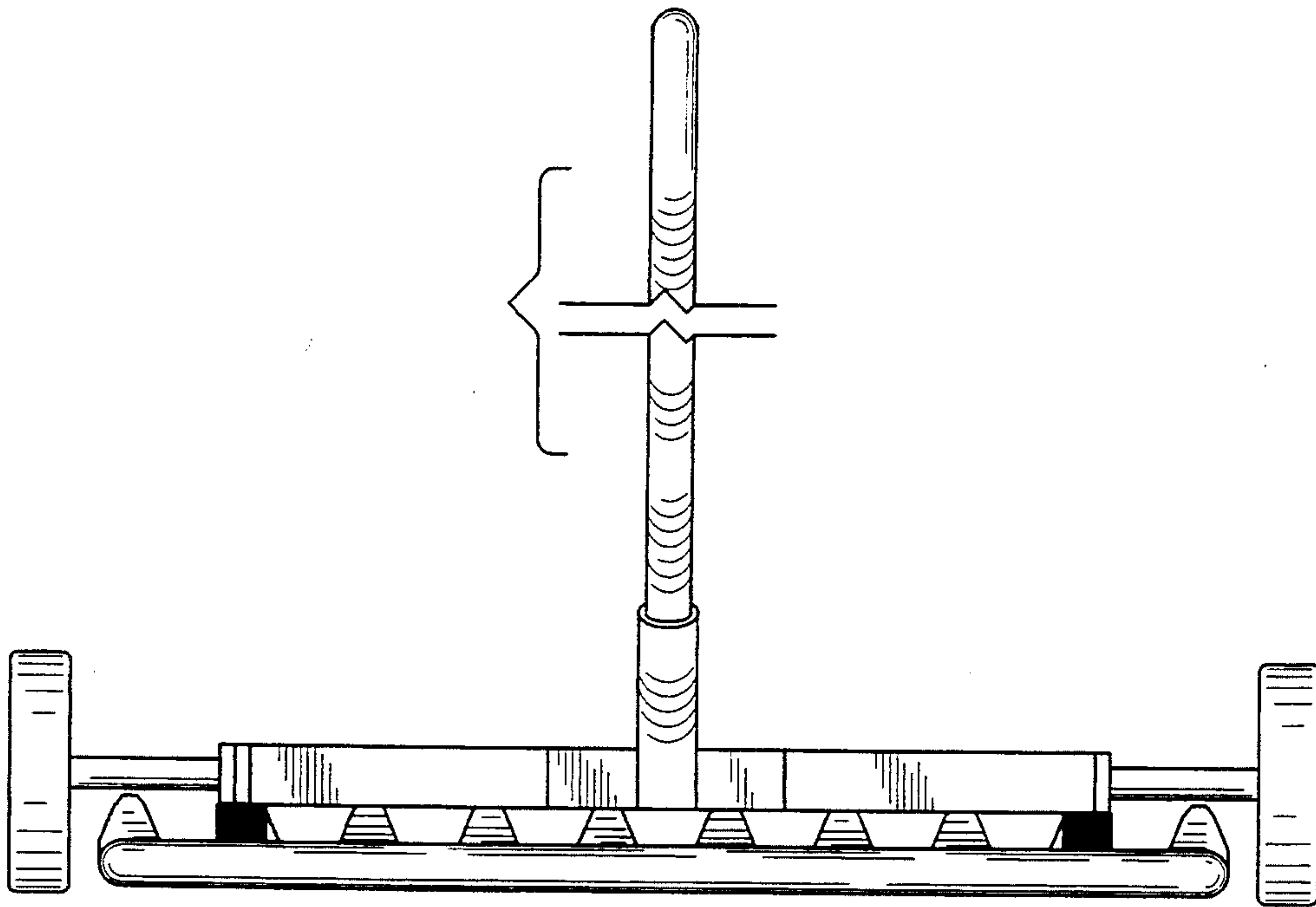


FIG. 6

