



US00D353977S

# United States Patent [19]

[11] Patent Number: **Des. 353,977**

Muschett

[45] Date of Patent: **\*\* Jan. 3, 1995**

[54] **COMBINED GIMBAL TRAY AND CUPS THEREFOR**

[76] Inventor: **William G. Muschett, Rte., Box 198, Vilas, N.C. 28692**

[\*\*] Term: **14 Years**

[21] Appl. No.: **14,444**

[22] Filed: **Oct. 21, 1993**

[52] U.S. Cl. .... **D7/708; D7/509; D7/550**

[58] Field of Search ..... **D7/701-708, D7/621, 509-512, 533-536, 550-554; 211/74, 113, 116; 229/1.5 B; 206/520**

[56] **References Cited**

**U.S. PATENT DOCUMENTS**

- D. 223,704 5/1972 Cheladze ..... D7/509
- D. 311,115 10/1990 Abraham ..... D7/708
- D. 346,092 4/1994 Van De Velde ..... D7/533 X

**OTHER PUBLICATIONS**

House & Garden, Sep. 1958, p. 216, Wine Caddy.

*Primary Examiner*—Terry A. Wallace

*Attorney, Agent, or Firm*—Herbert L. Lerner; Laurence A. Greenberg

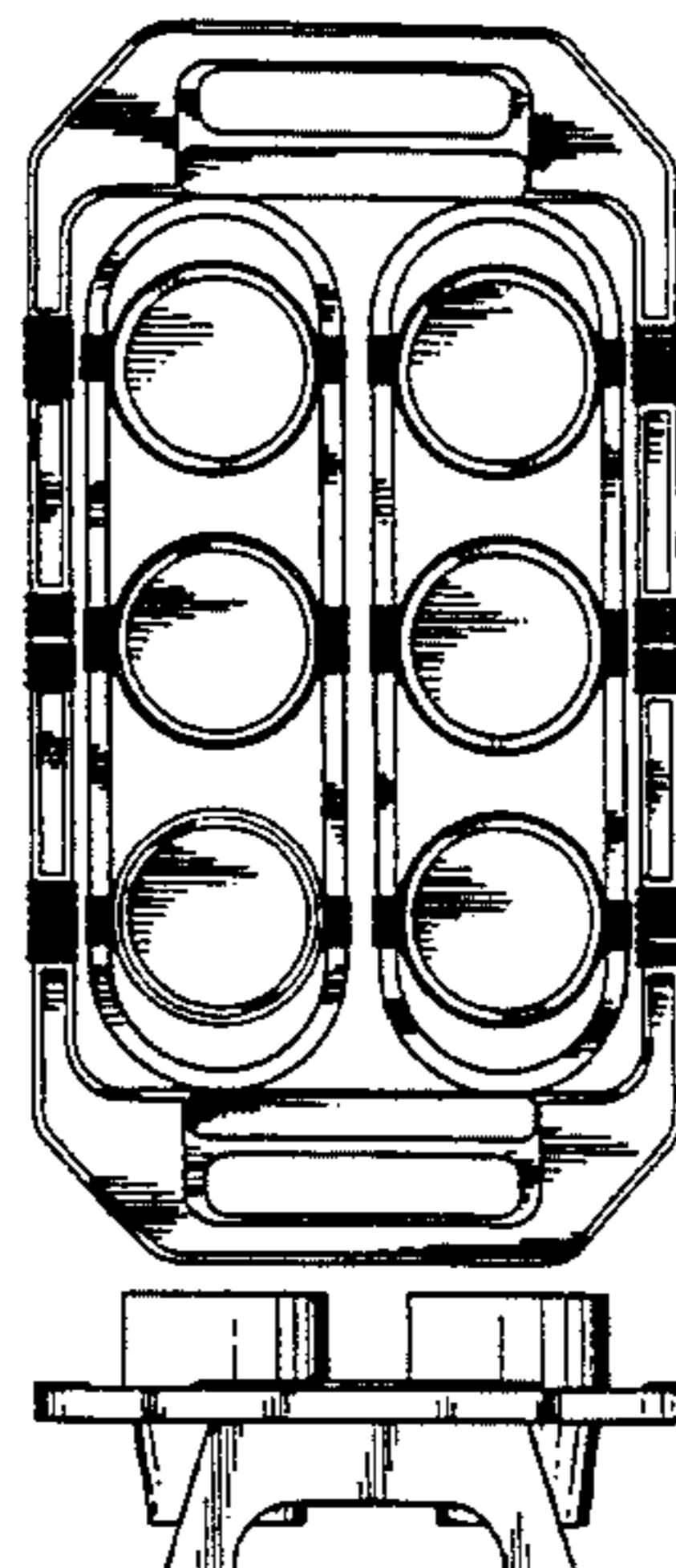
[57] **CLAIM**

The ornamental design for a combined gimbal tray and cups therefor, as shown and described.

**DESCRIPTION**

FIG. 1 is a top plan view of a combined gimbal tray and cups therefor showing my new design;  
 FIG. 2 is a front elevational view thereof, the opposite side being a mirror image;  
 FIG. 3 is a right side elevational view thereof, the opposite side being a mirror image;  
 FIG. 4 is a bottom plan view thereof;  
 FIG. 5 is a top plan view of an alternate embodiment of FIG. 1;

FIG. 6 is a front elevational view of FIG. 5, the opposite side being a mirror image;  
 FIG. 7 is a right side elevational view of FIG. 5, the opposite side being a mirror image;  
 FIG. 8 is a bottom plan view of FIG. 5;  
 FIG. 9 is a top plan view of an alternate embodiment of FIG. 1;  
 FIG. 10 is a front elevational view of FIG. 9, the opposite side being a mirror image;  
 FIG. 11 is a right side elevational view of FIG. 9, the opposite side being a mirror image;  
 FIG. 12 is a bottom plan view of FIG. 9;  
 FIG. 13 is a top plan view of an alternate embodiment of FIG. 1;  
 FIG. 14 is a front elevational view of FIG. 13, the opposite side being a mirror image;  
 FIG. 15 is a right side elevational view of FIG. 13, the opposite side being a mirror image;  
 FIG. 16 is a top plan view of an alternate embodiment of FIG. 1, the bottom view being similar to FIG. 1 except for the handles;  
 FIG. 17 is a front elevational view of FIG. 16, the opposite side being a mirror image;  
 FIG. 18 is a right side elevational view of FIG. 16, the opposite side being a mirror image;  
 FIG. 19 is a top plan view of an alternate embodiment of FIG. 1, the bottom view being similar to FIG. 1;  
 FIG. 20 is a front elevational view of FIG. 19, the opposite side being a mirror image;  
 FIG. 21 is a right side elevational view of FIG. 19, the opposite side being a mirror image;  
 FIG. 22 is a top plan view of an alternate embodiment of FIG. 1;  
 FIG. 23 is a front elevational view of FIG. 22, the opposite side being a mirror image;  
 FIG. 24 is a right side elevational view of FIG. 22, the opposite side being a mirror image;  
 FIG. 25 is a bottom plan view of FIG. 22;  
 FIG. 26 is a top plan view of an alternate embodiment of FIG. 1, the bottom view being similar to FIG. 1 except for the wheels;  
 FIG. 27 is a front elevational view of FIG. 26, the opposite side being a mirror image; and,  
 FIG. 28 is a right side elevational view of FIG. 26, the opposite side being a mirror image.



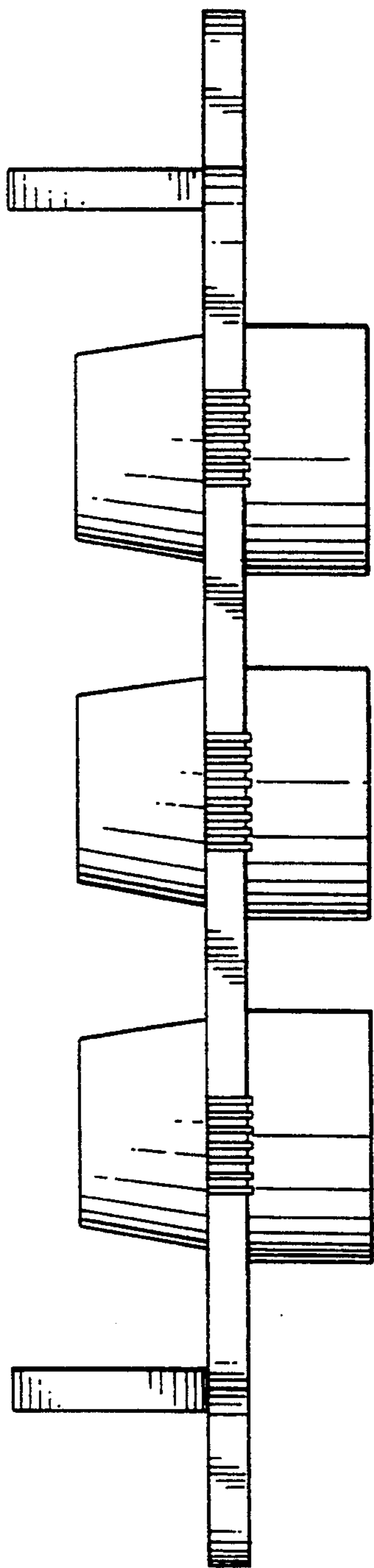


Fig.3

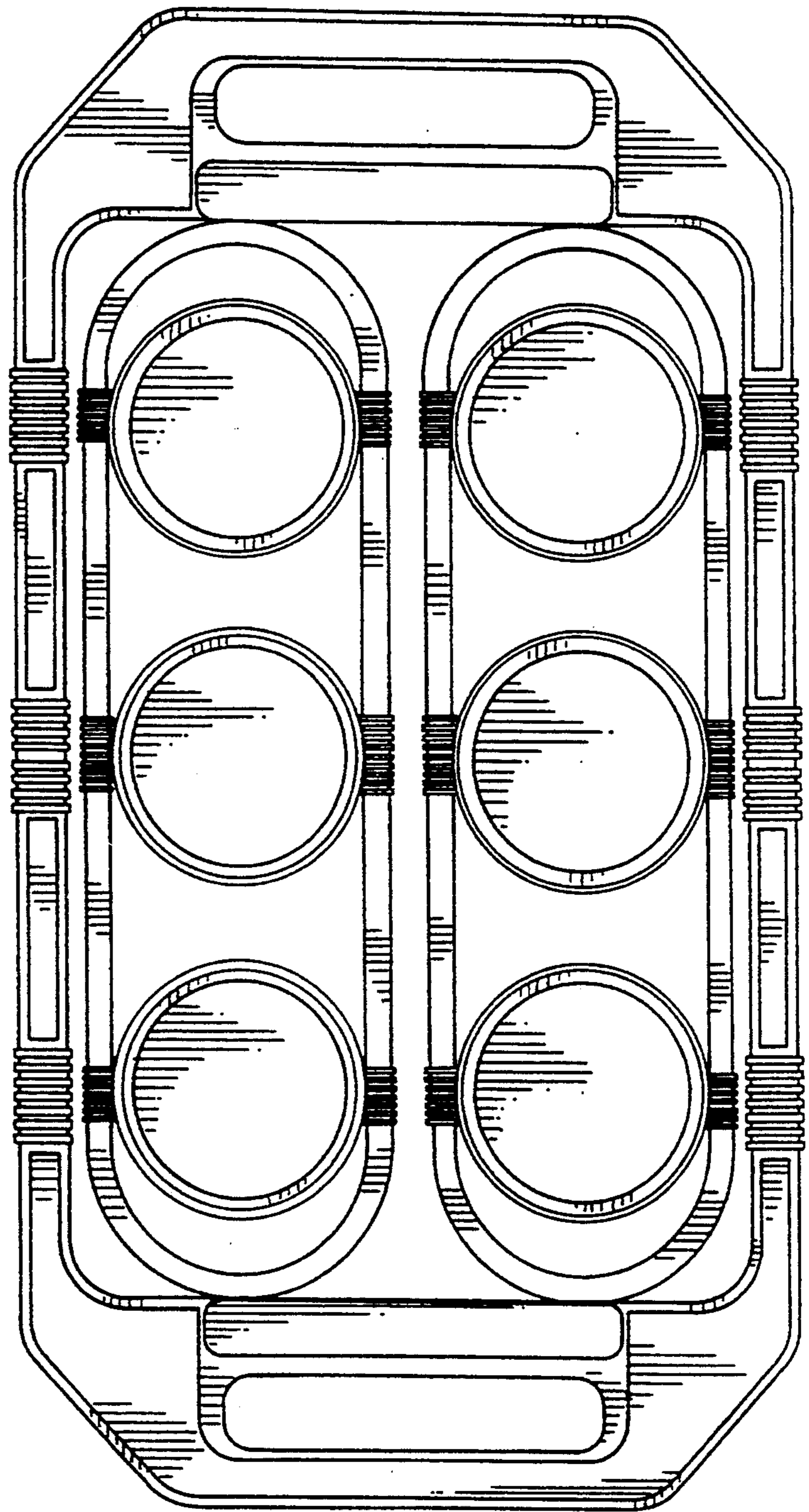


Fig.1

Fig.2

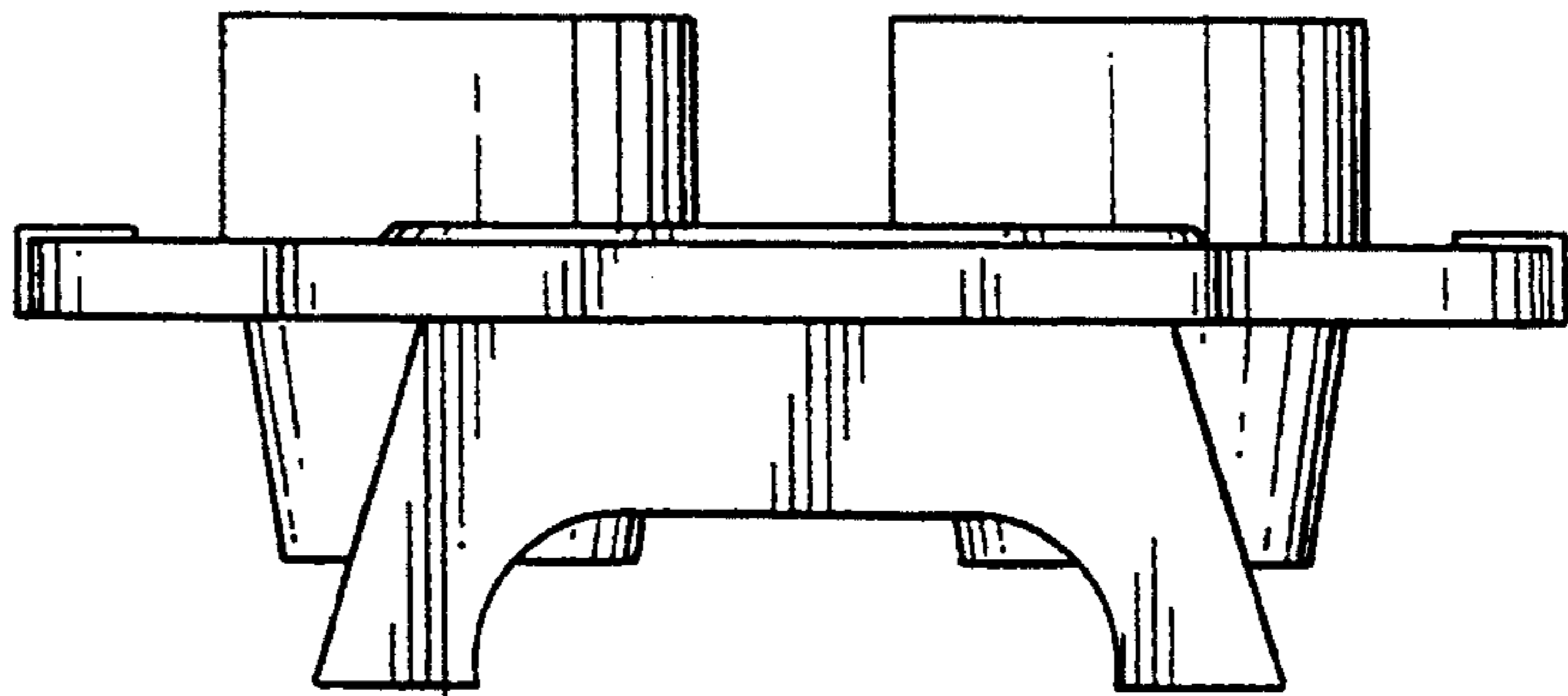
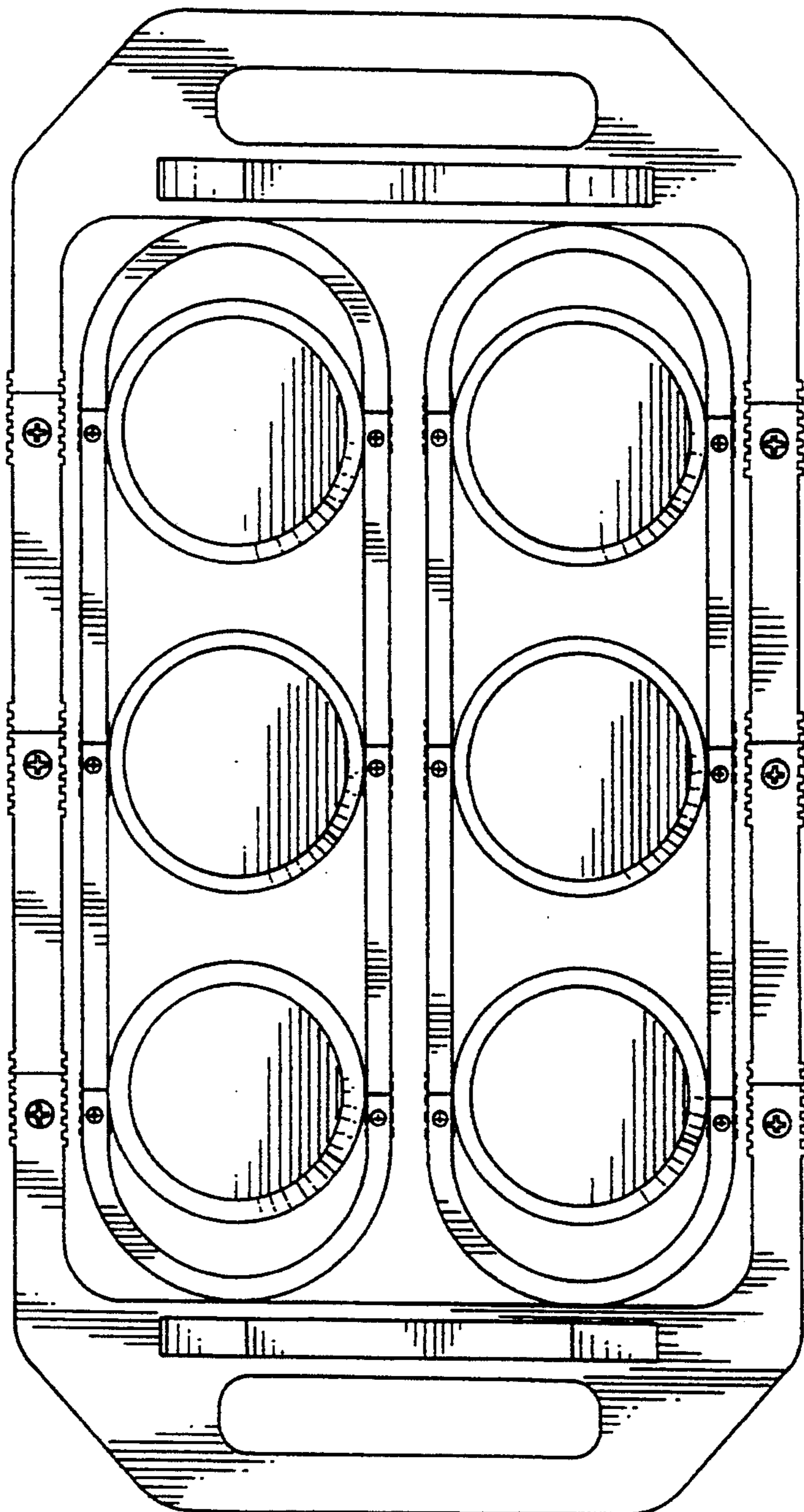


Fig.4



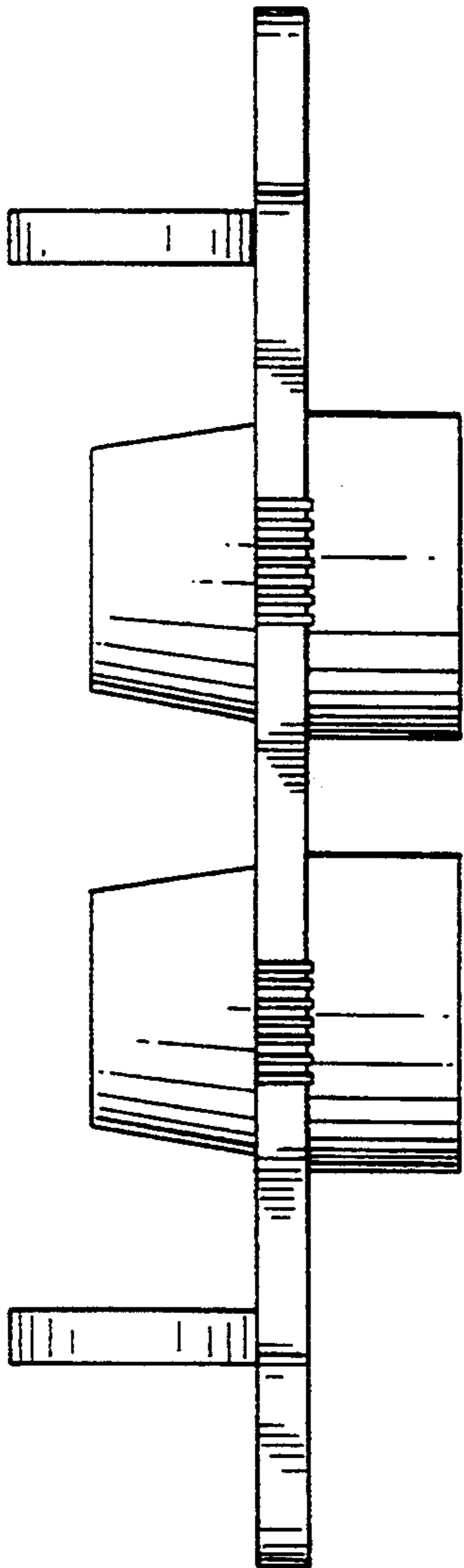


Fig.7

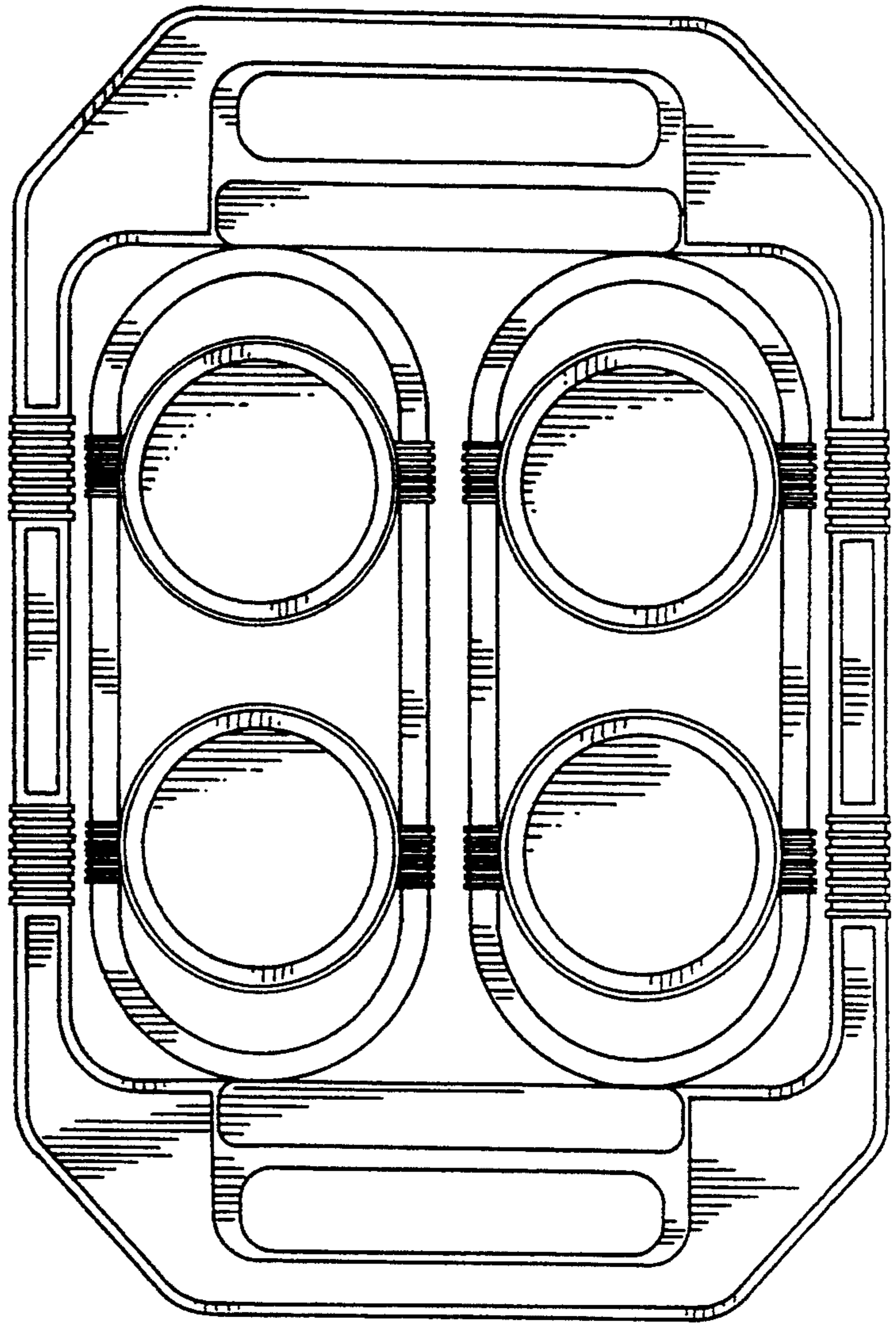


Fig.5

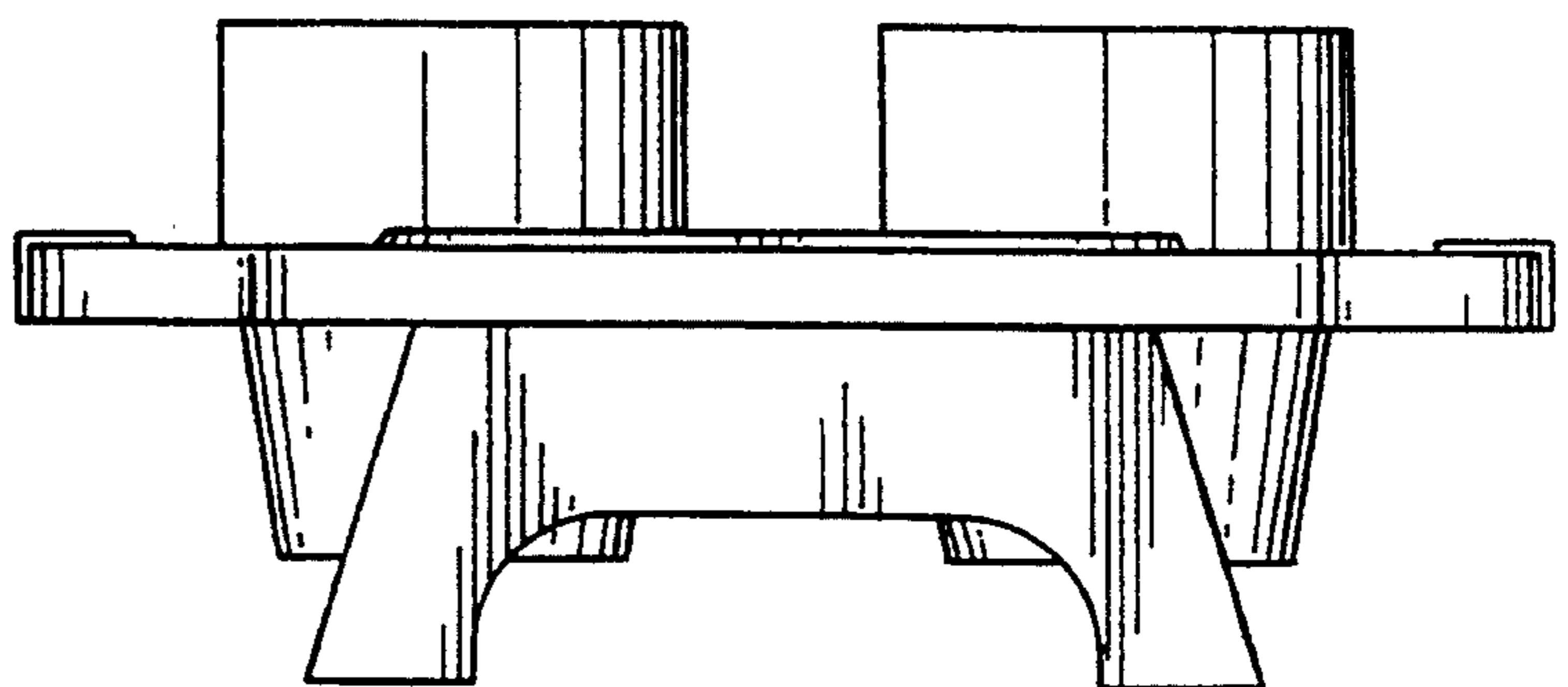
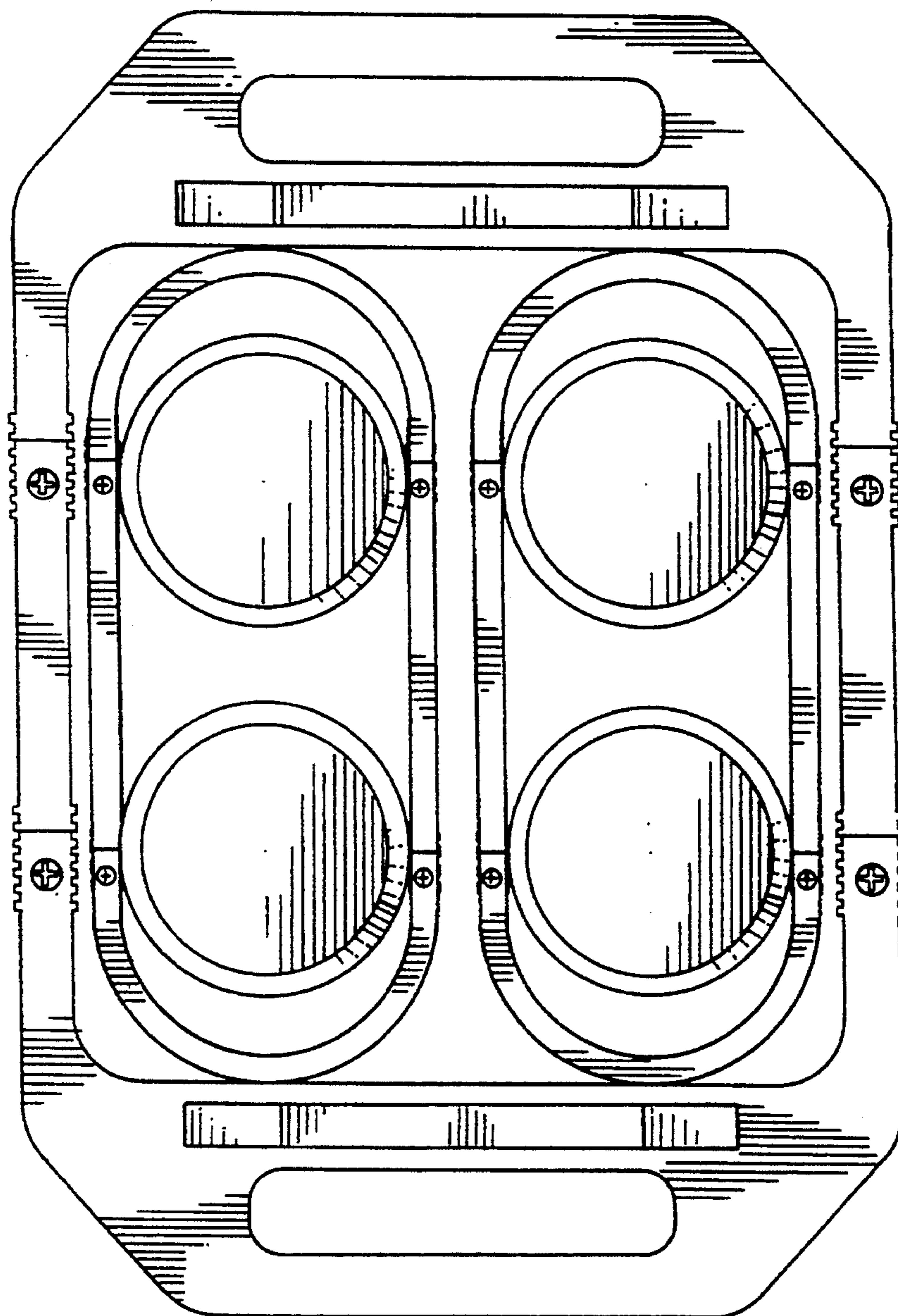


Fig.6

Fig.8



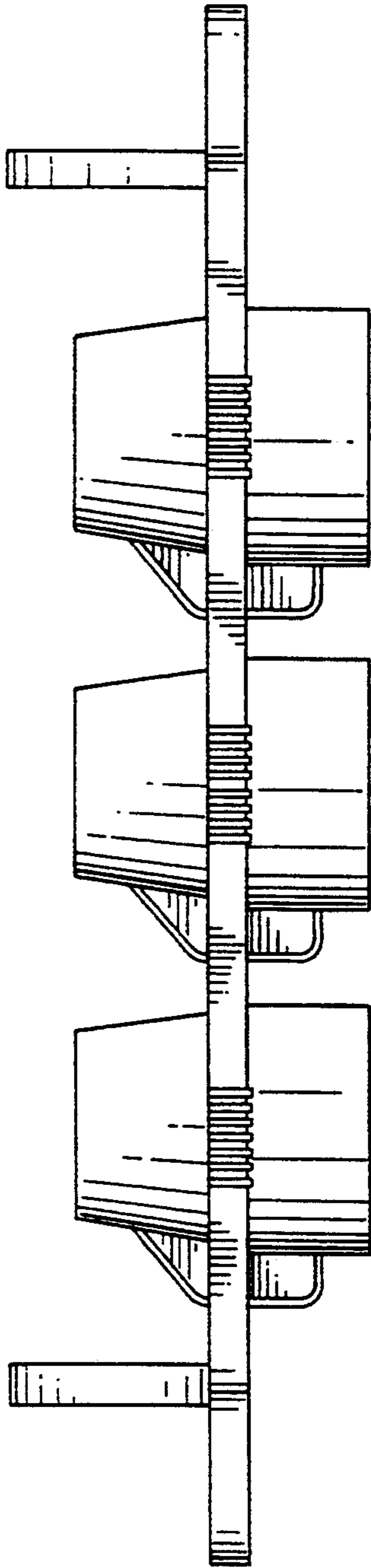


Fig. 11

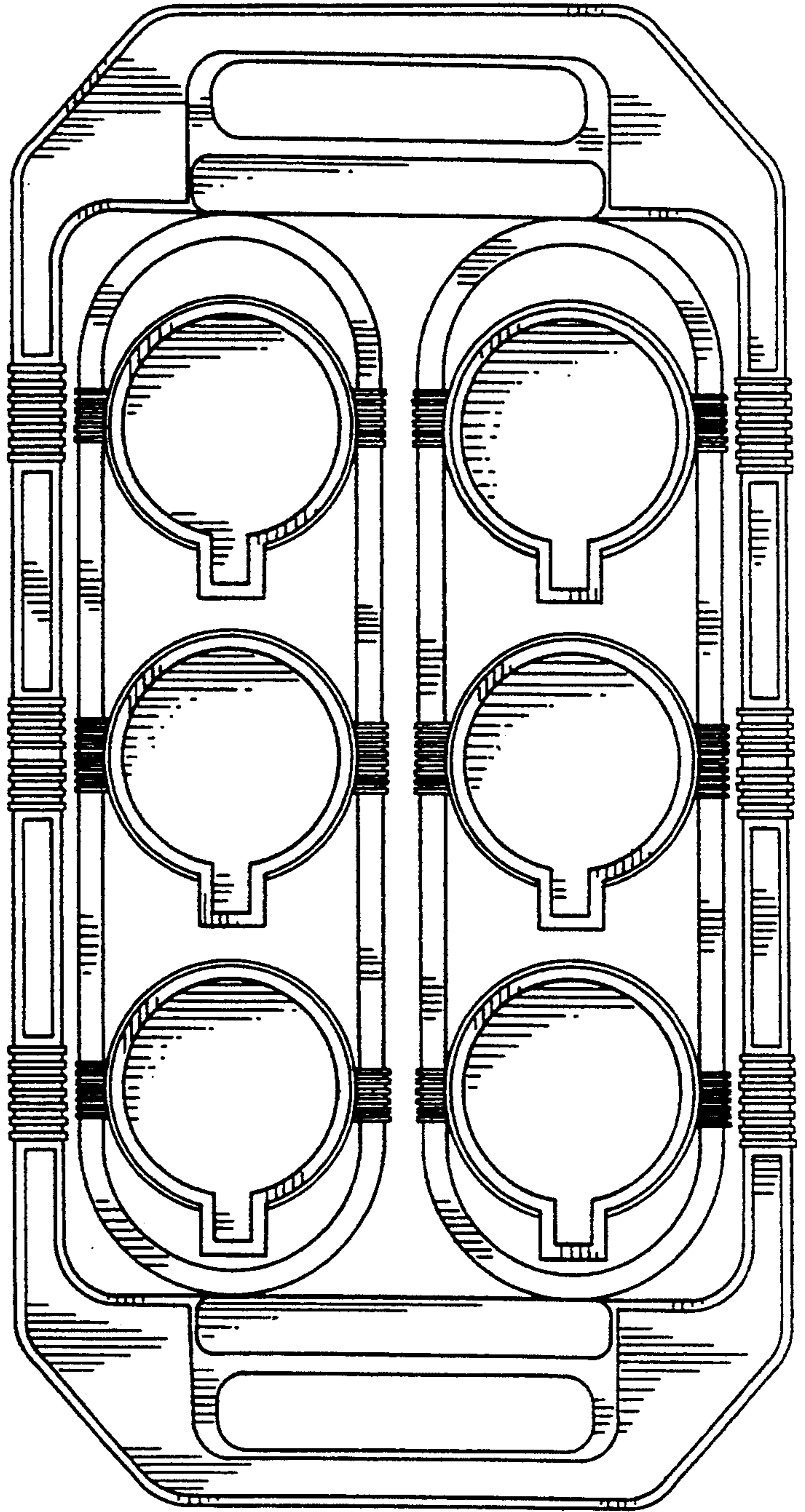


Fig. 9

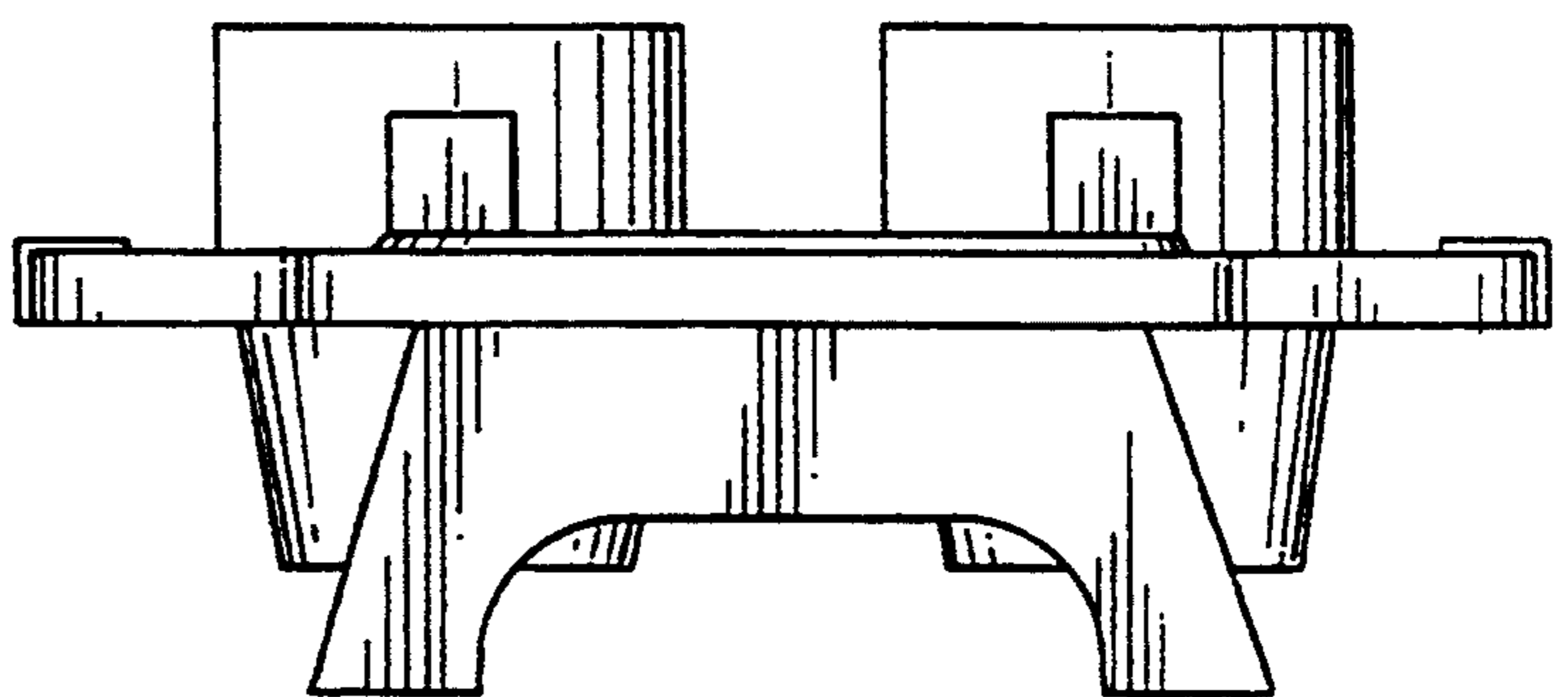


Fig. 10

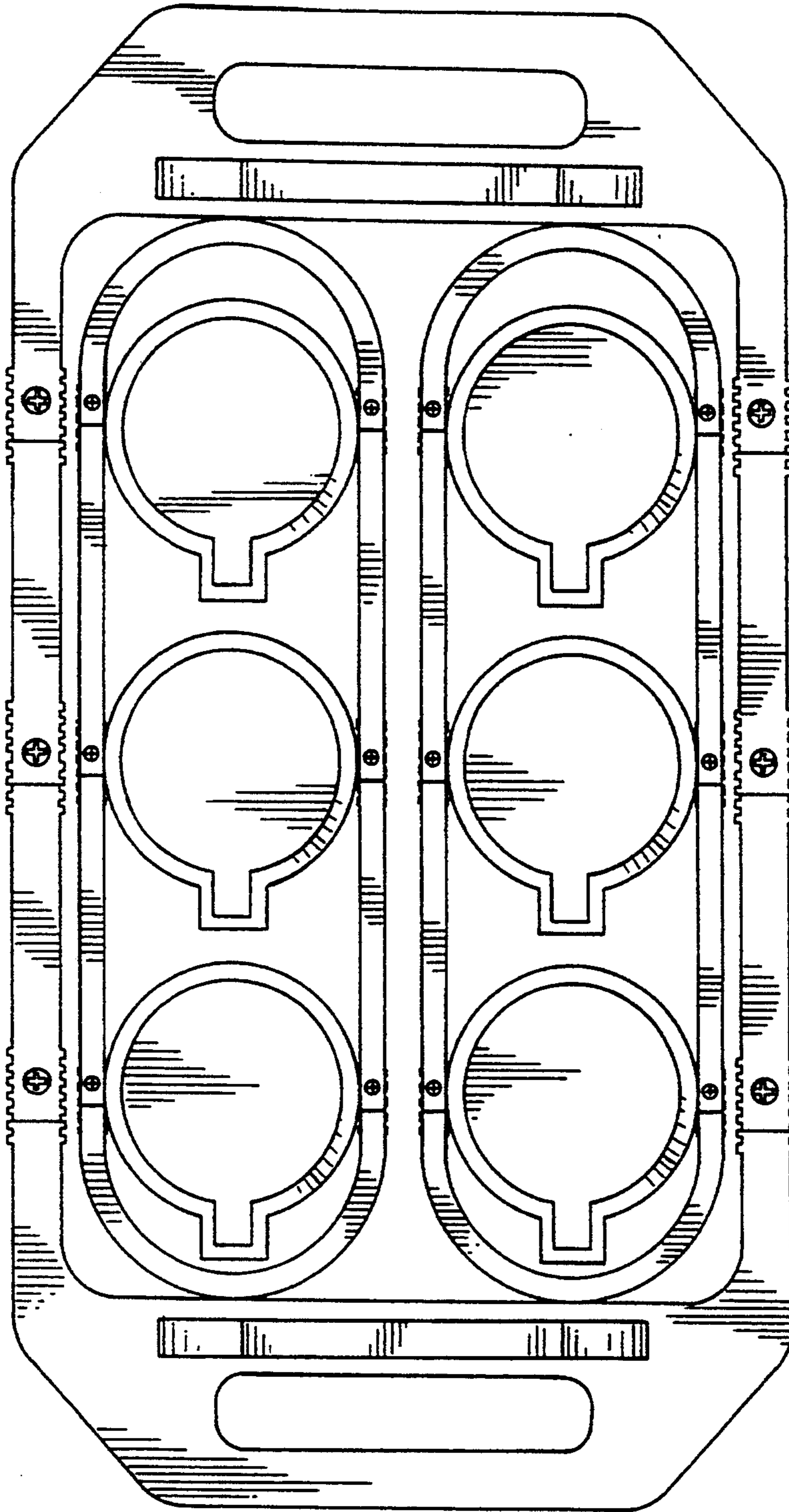


Fig.12

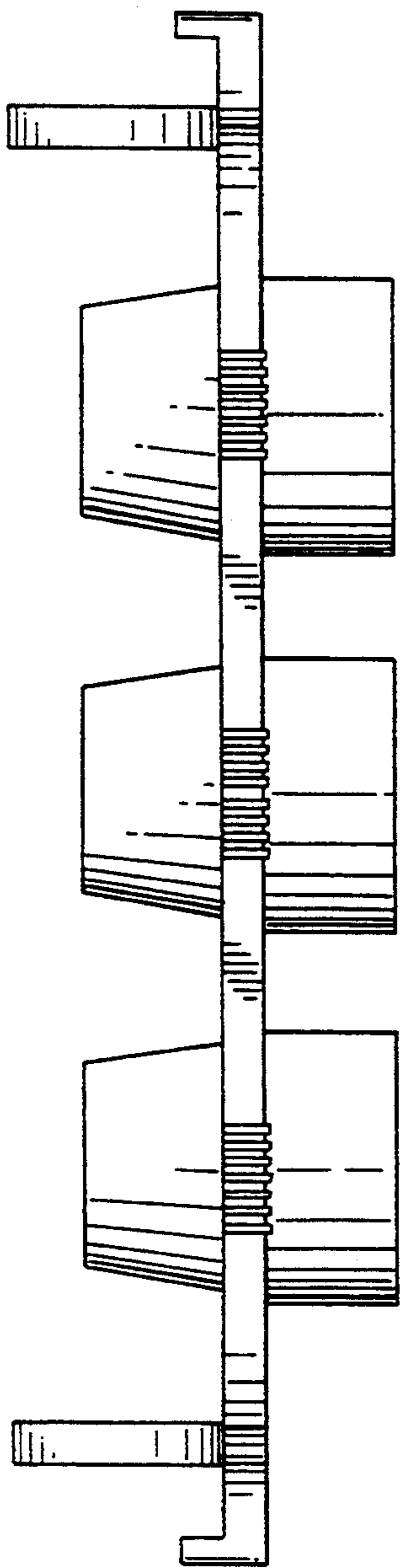


Fig.15

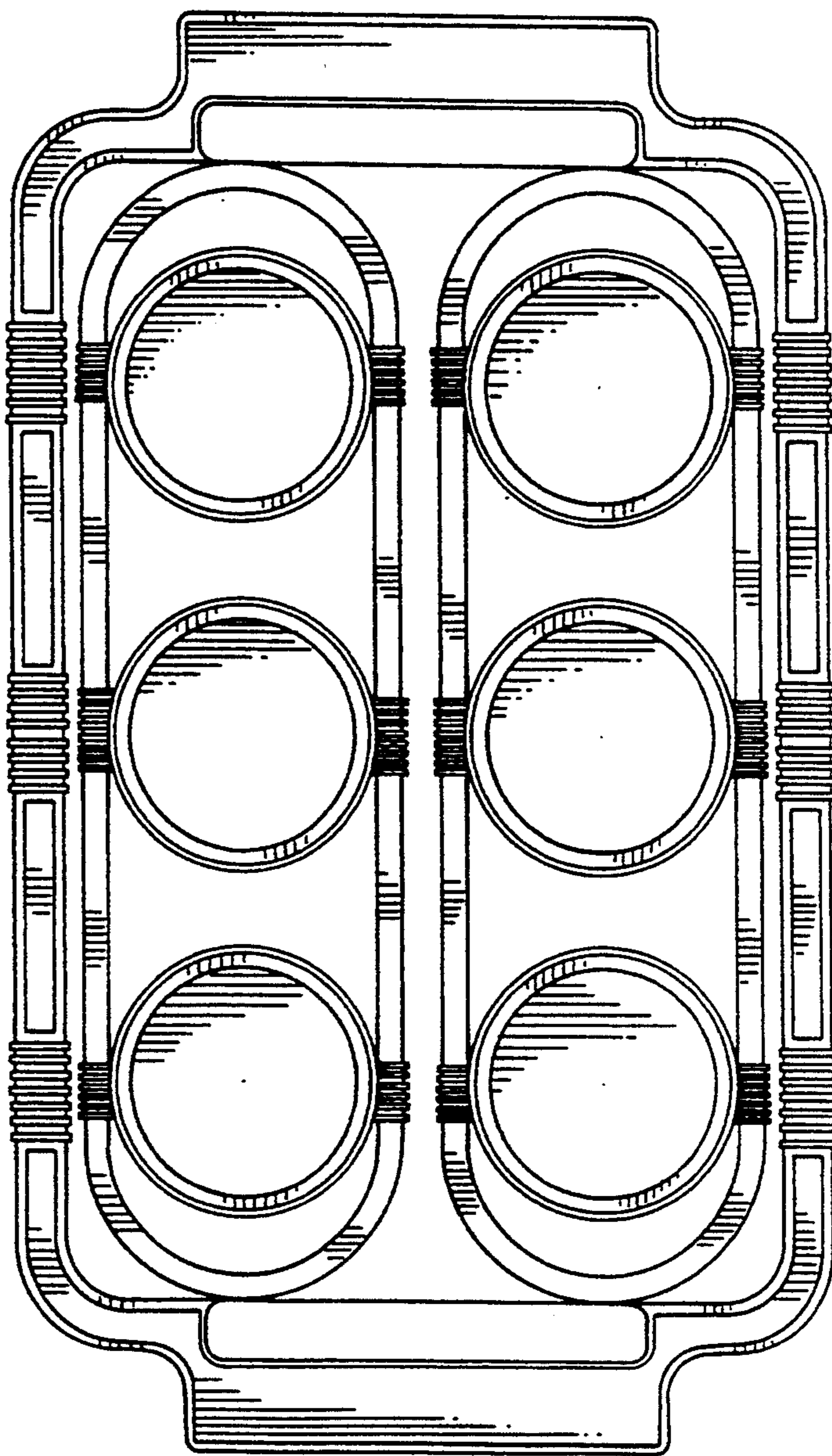


Fig.13

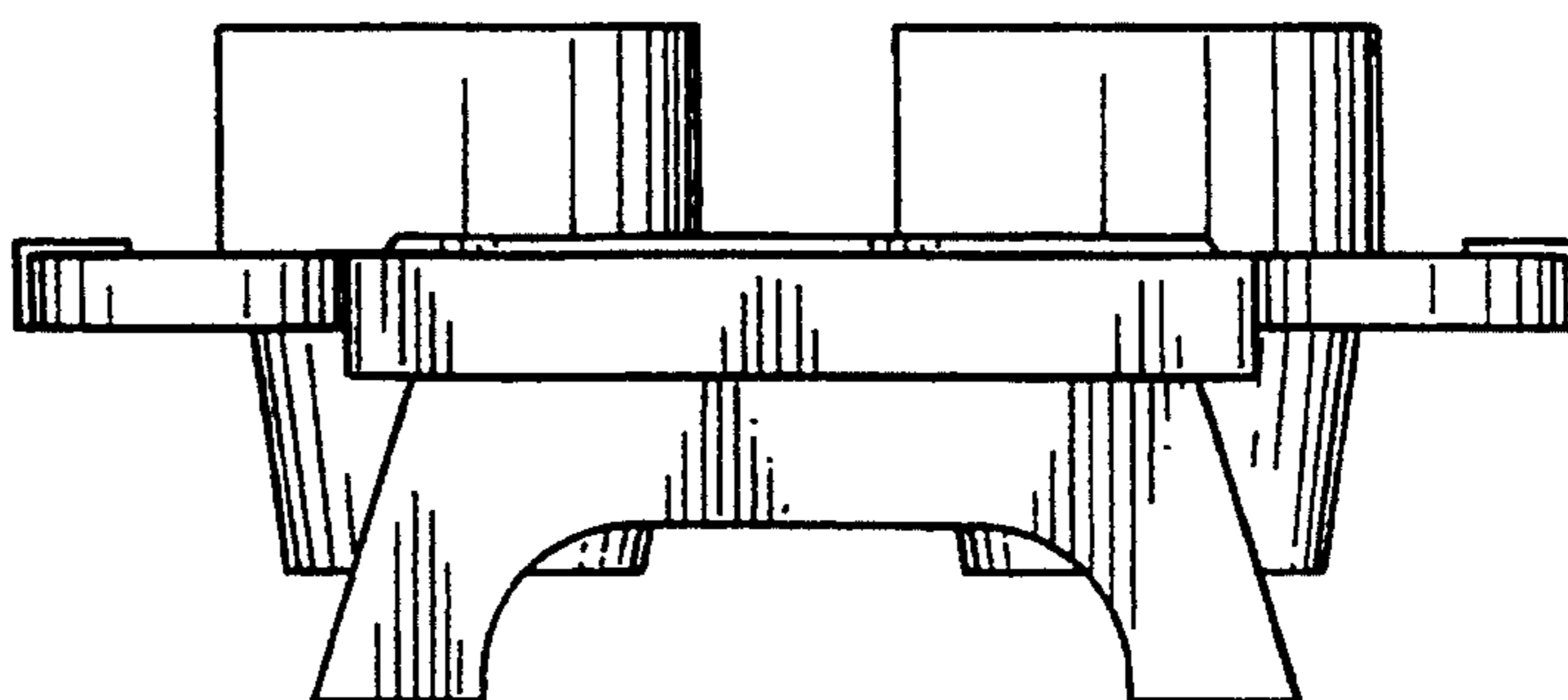


Fig.14



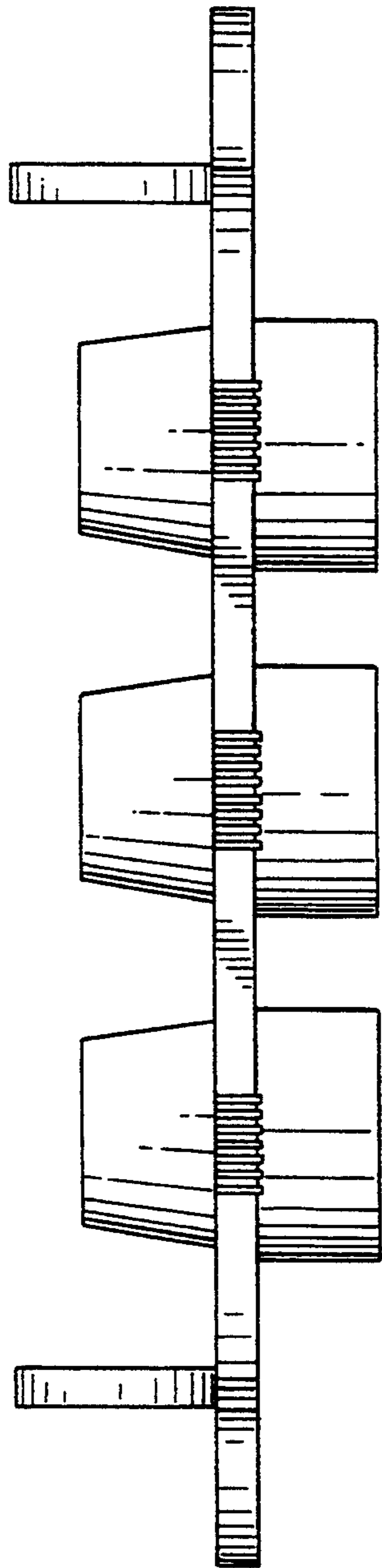


Fig.18

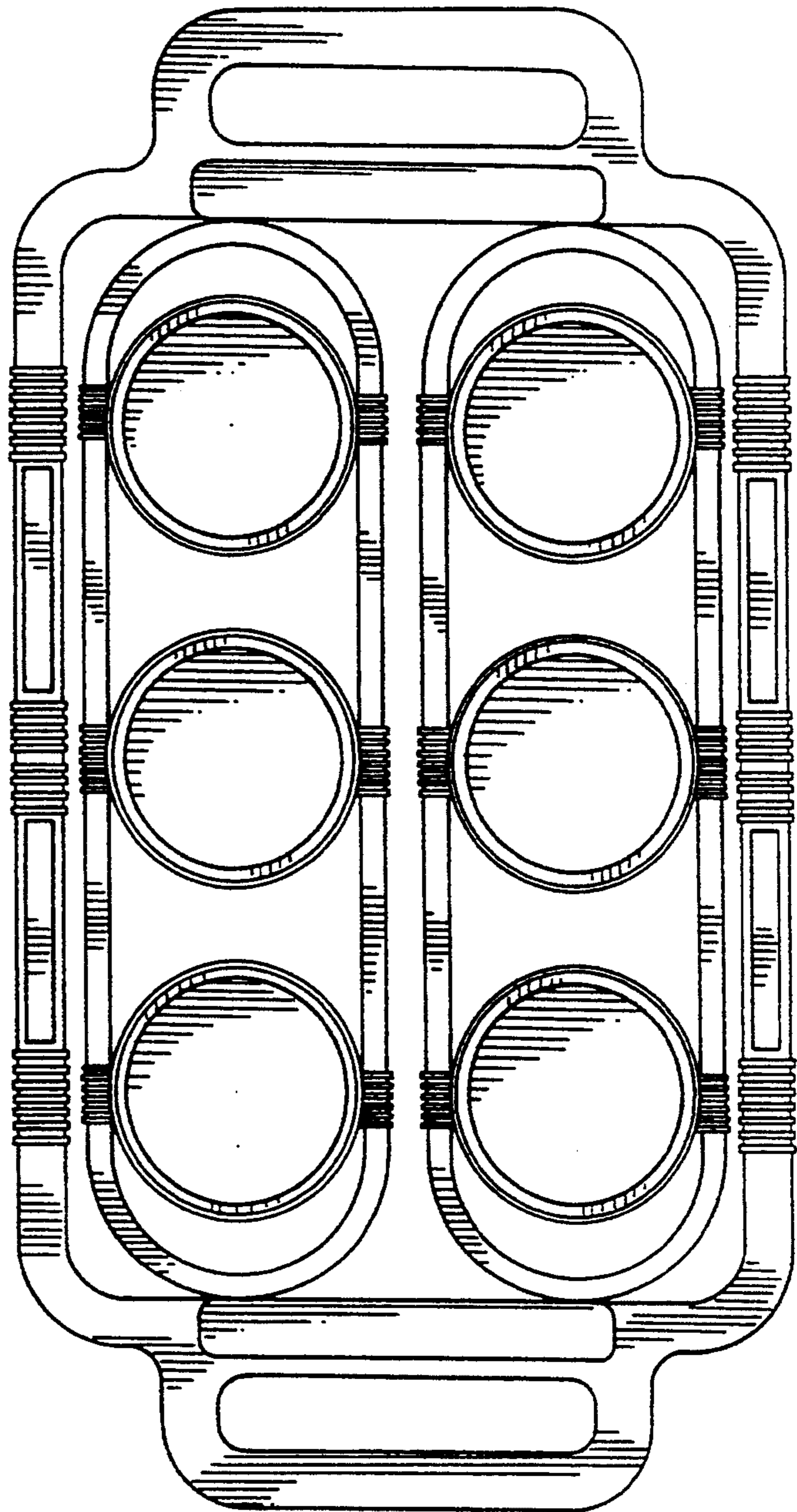


Fig.16

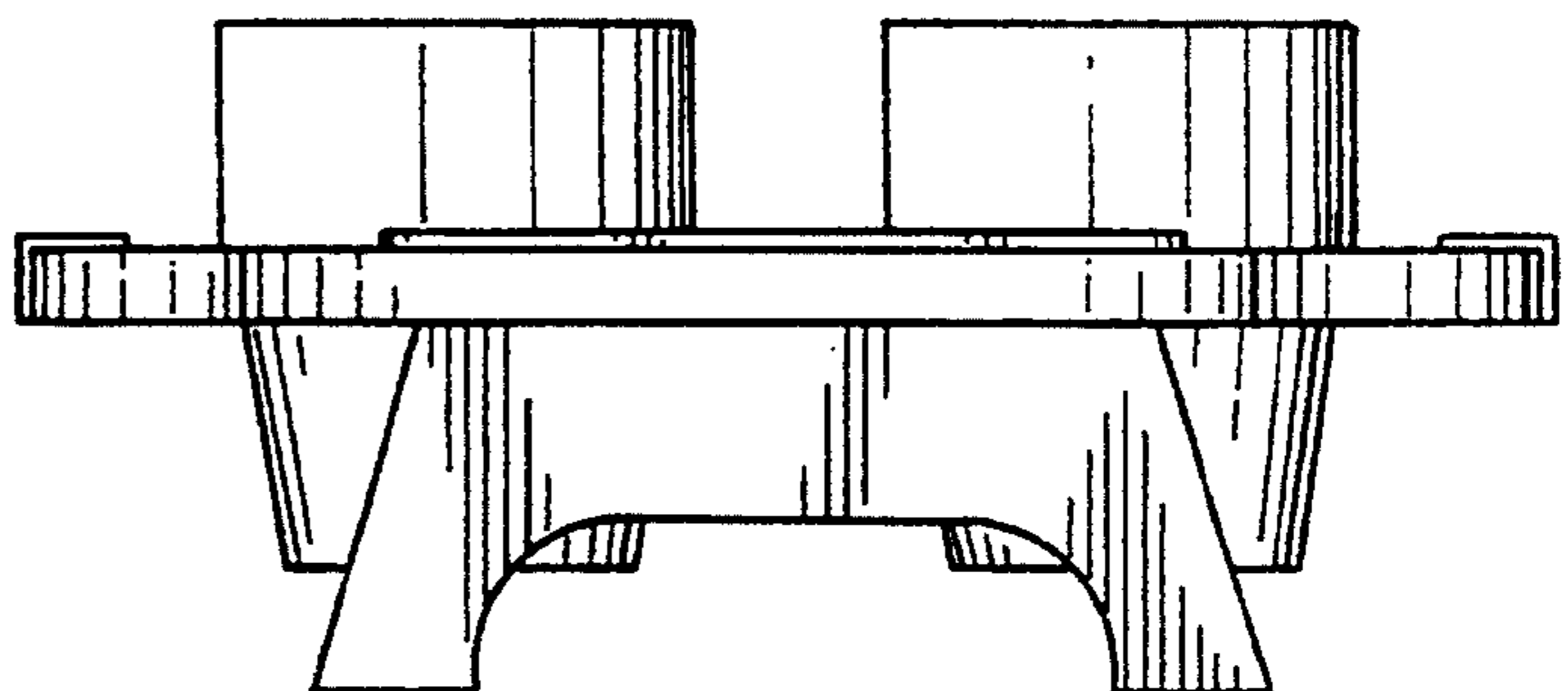


Fig.17

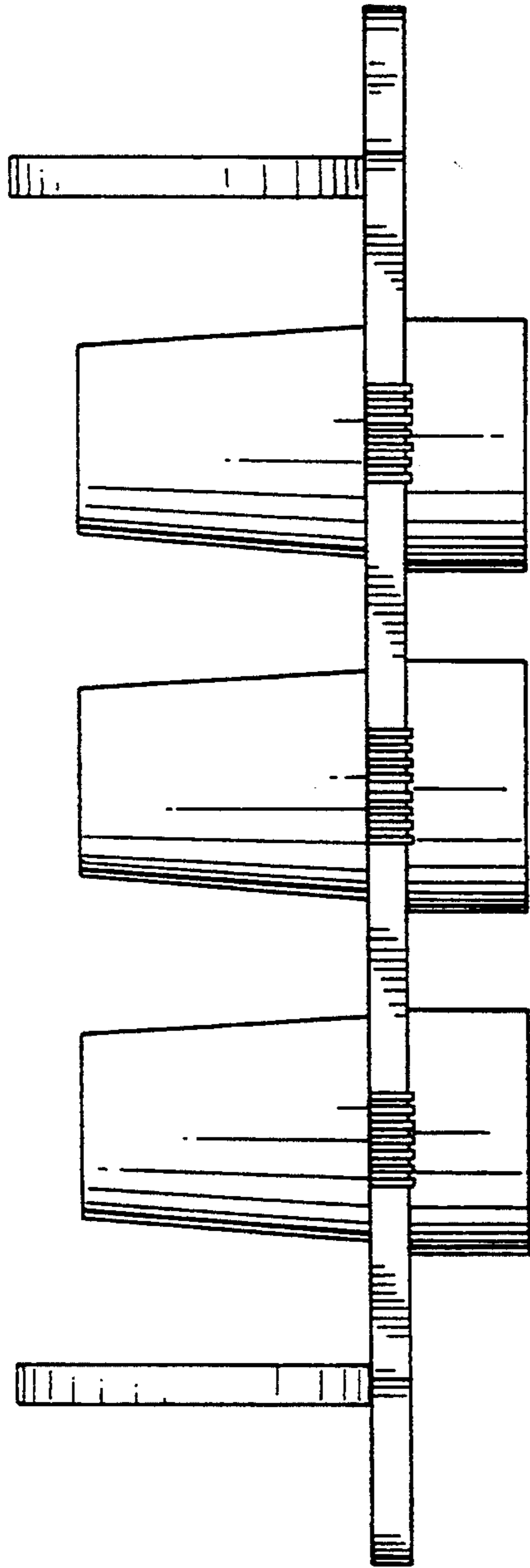


Fig.21

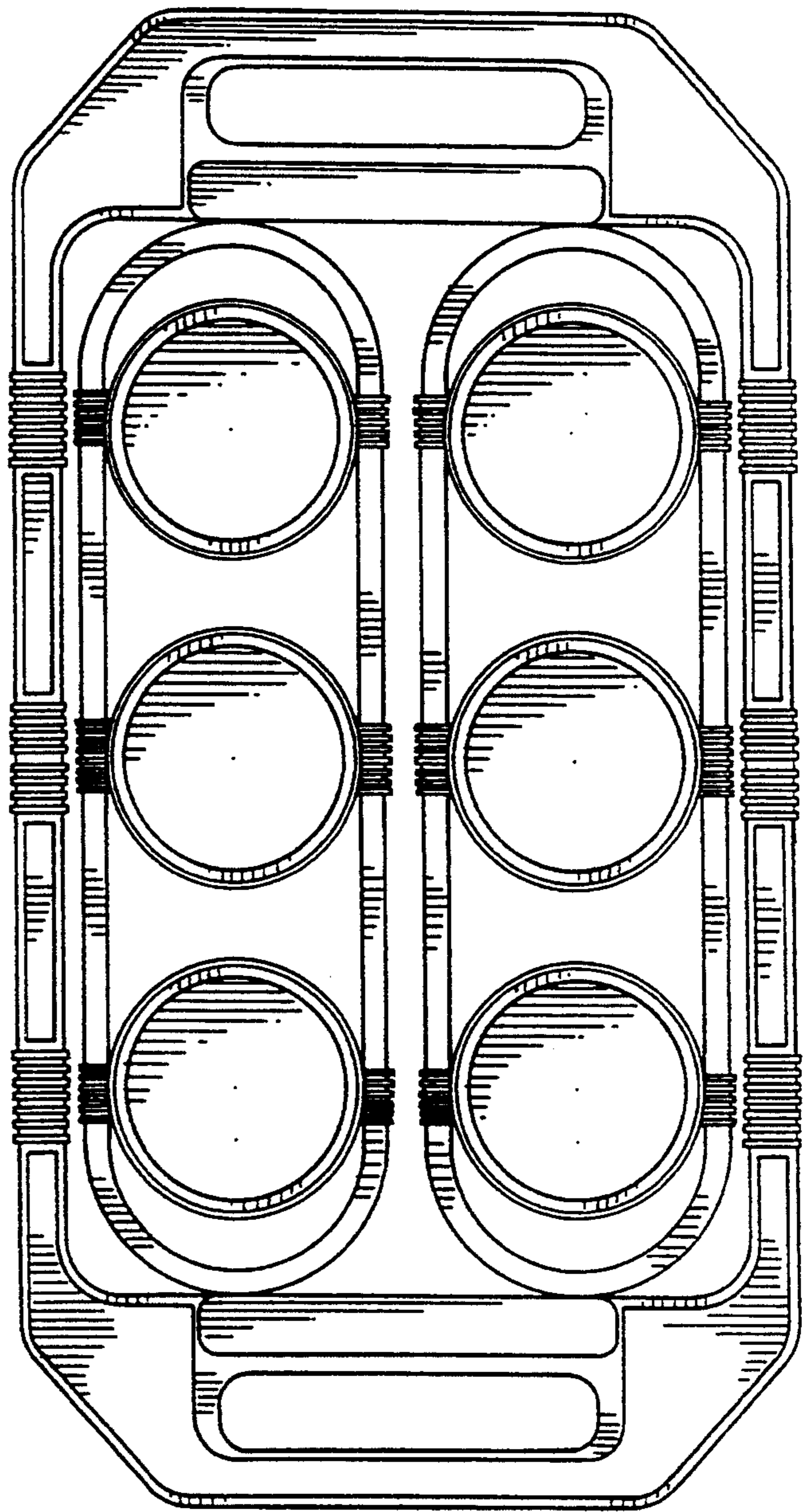


Fig.19

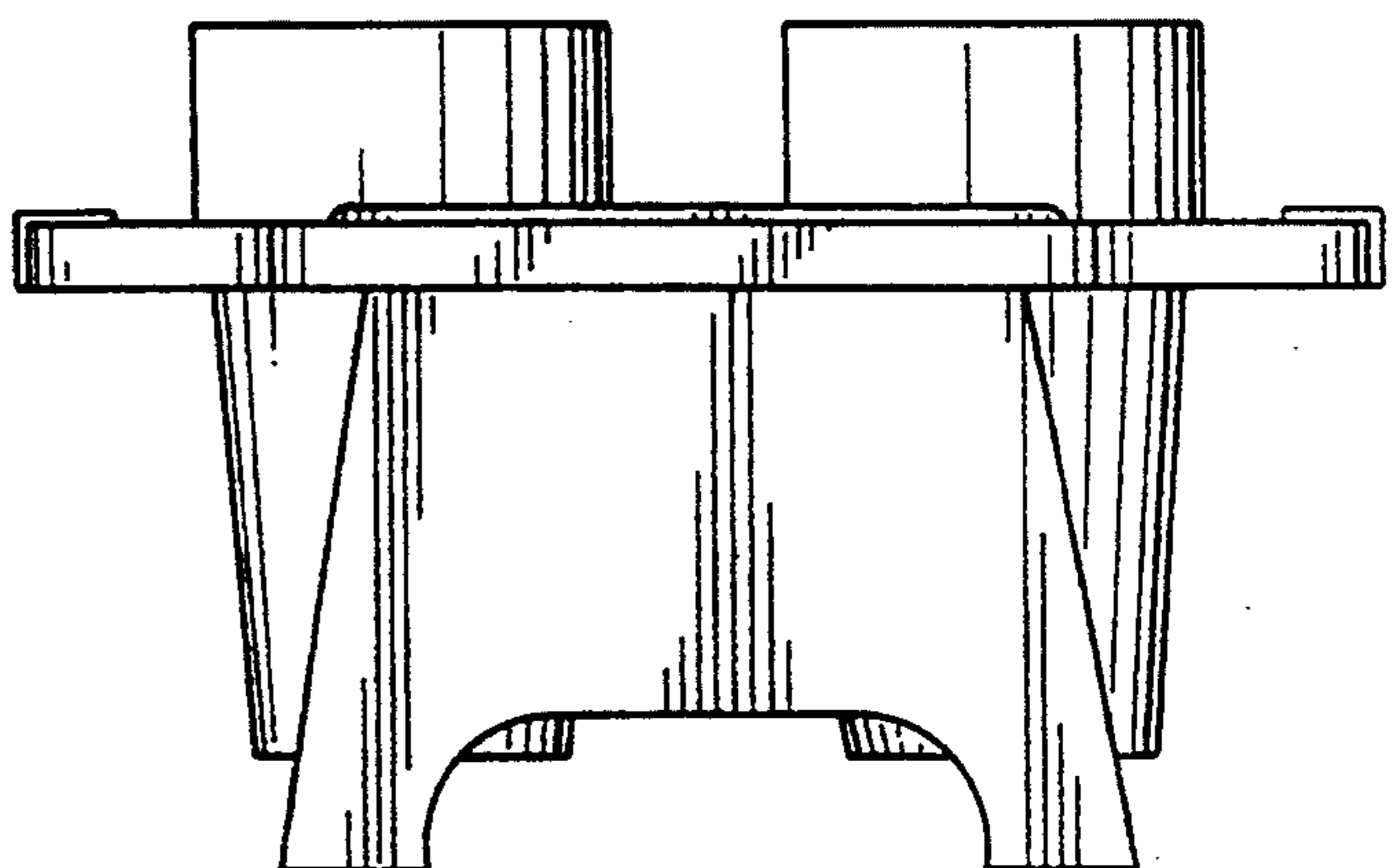


Fig.20

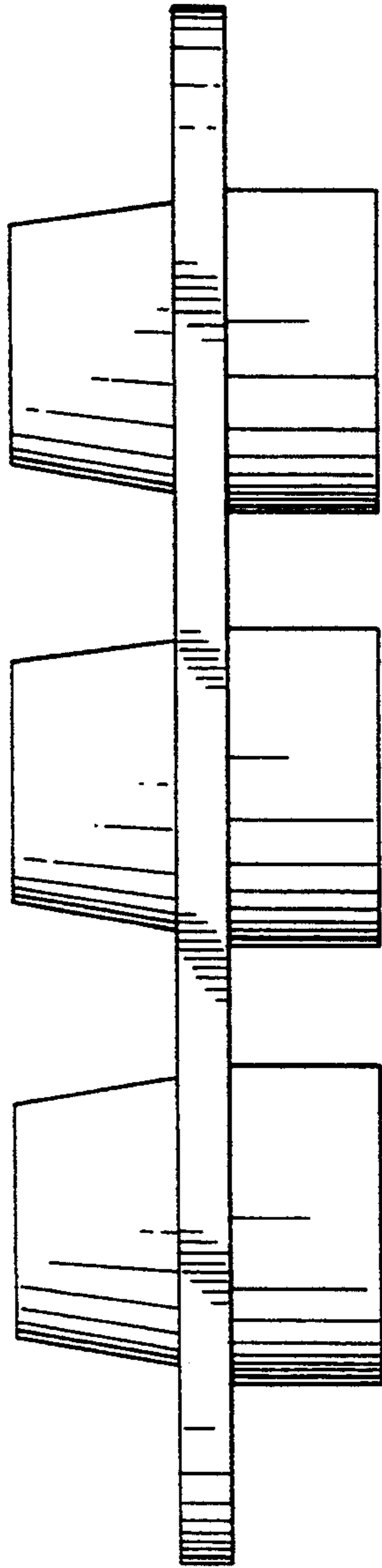


Fig.24

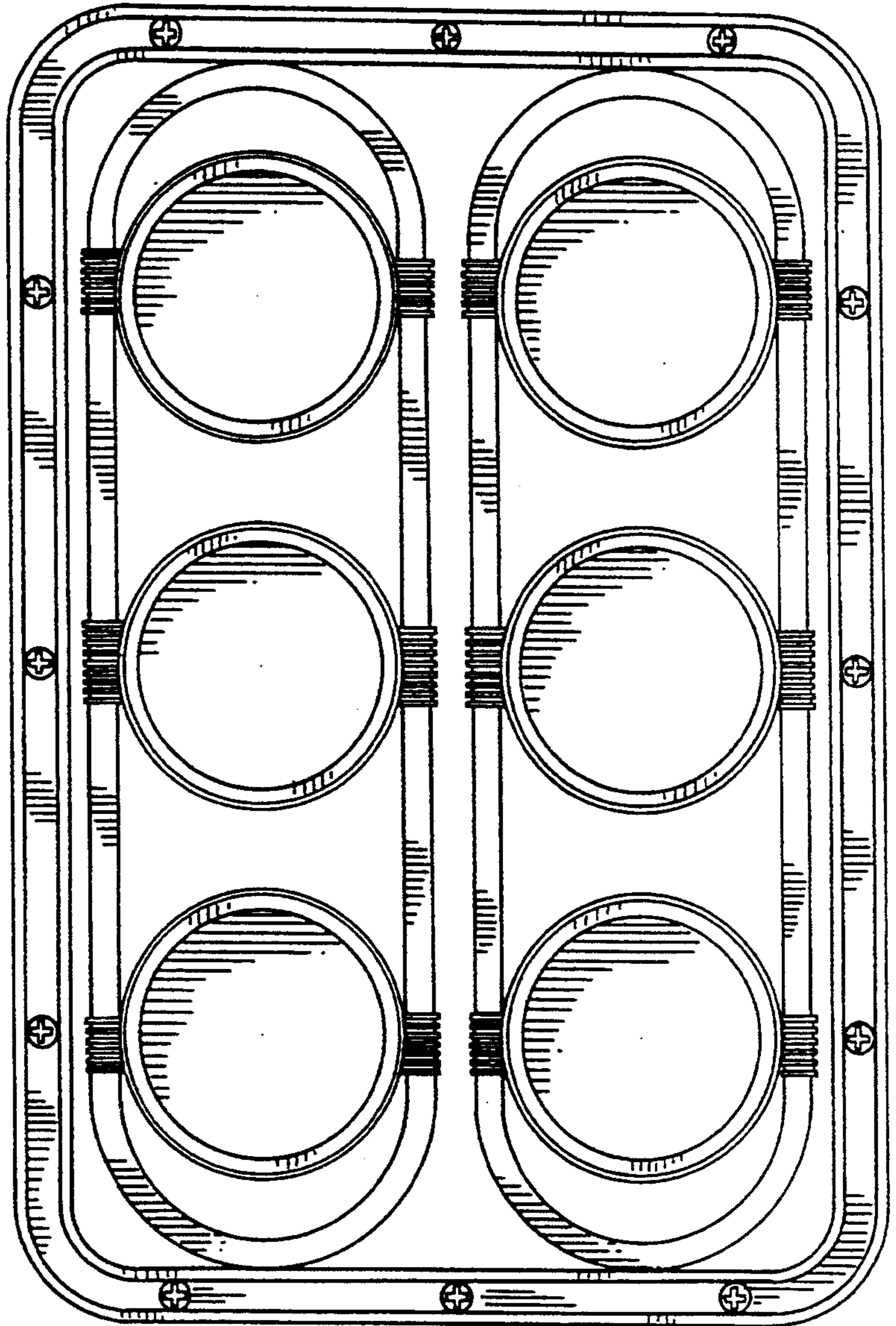


Fig.22

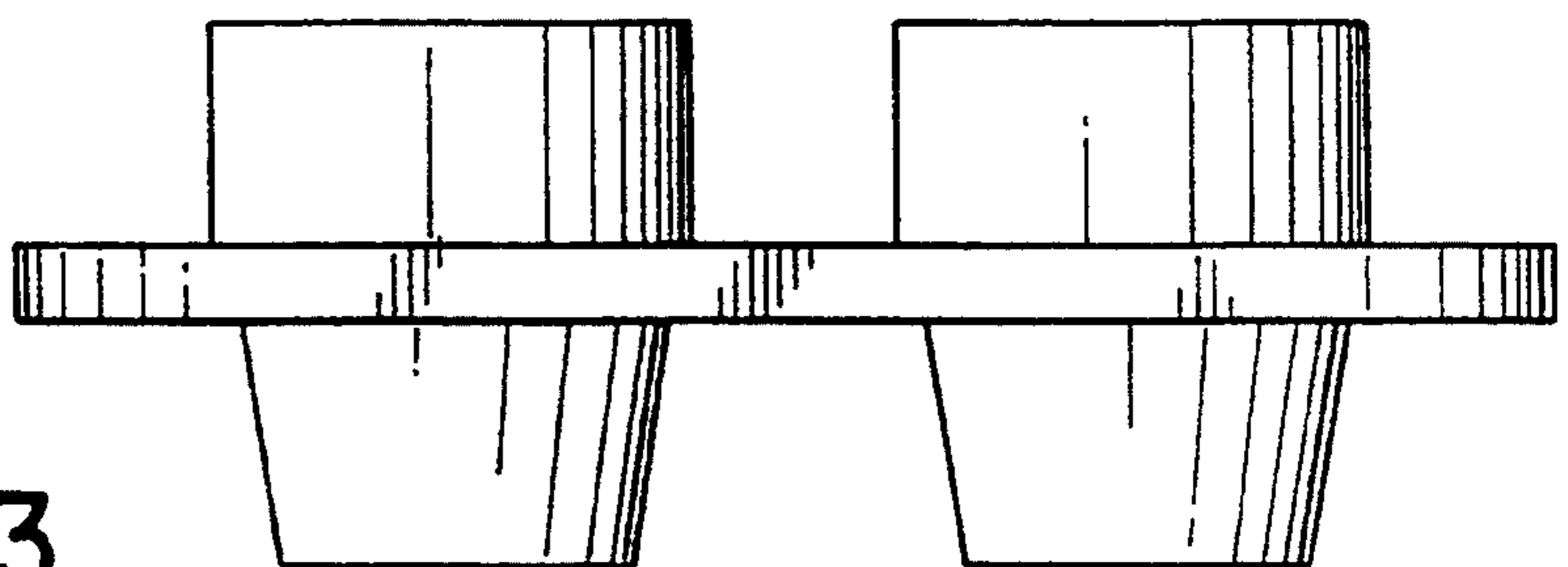


Fig.23

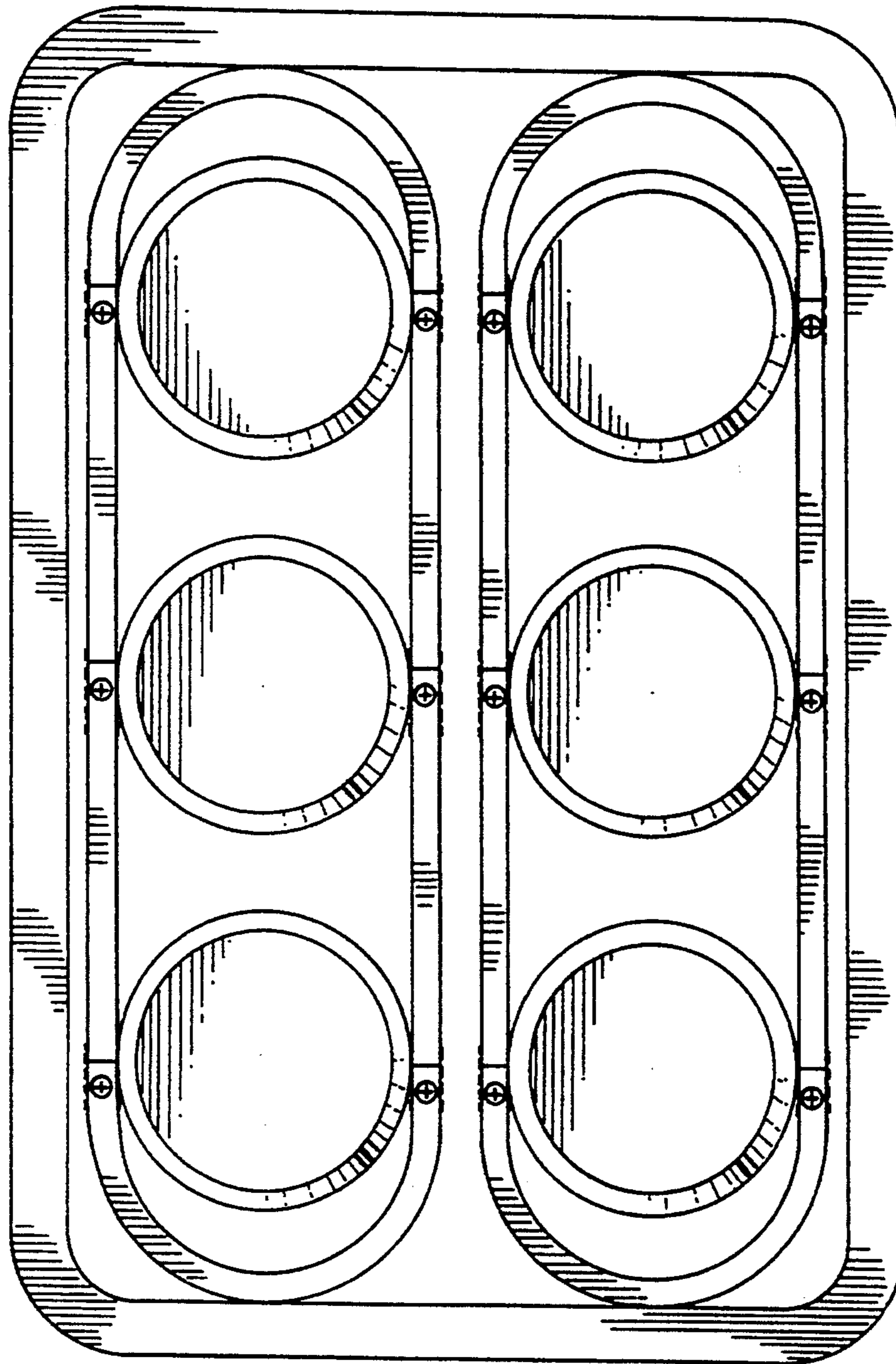


Fig.25

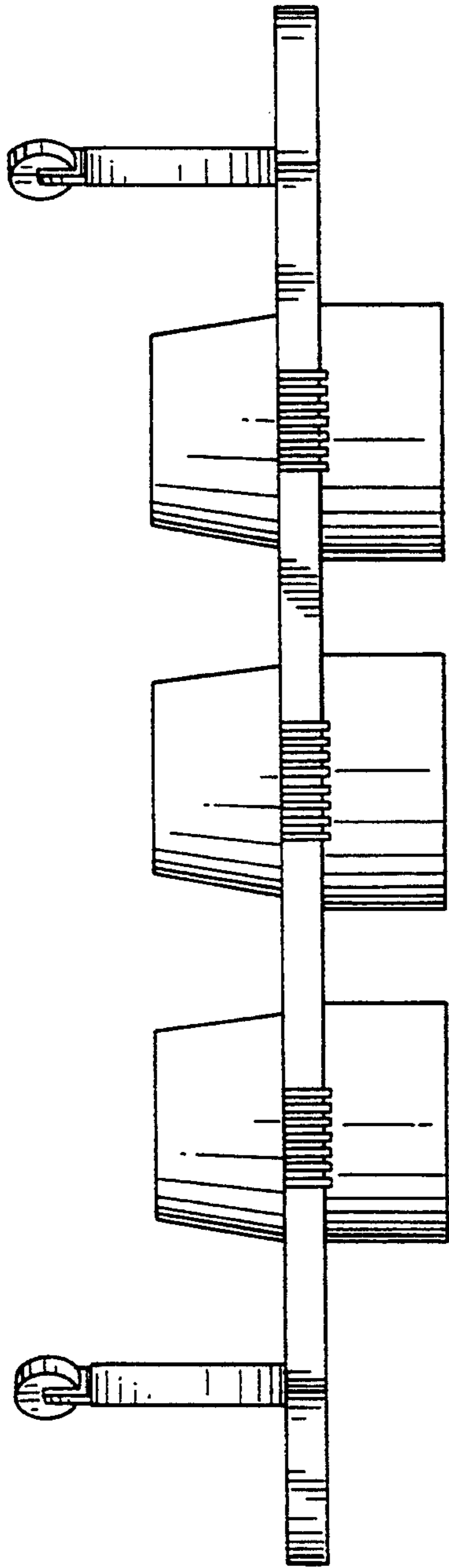


Fig.28

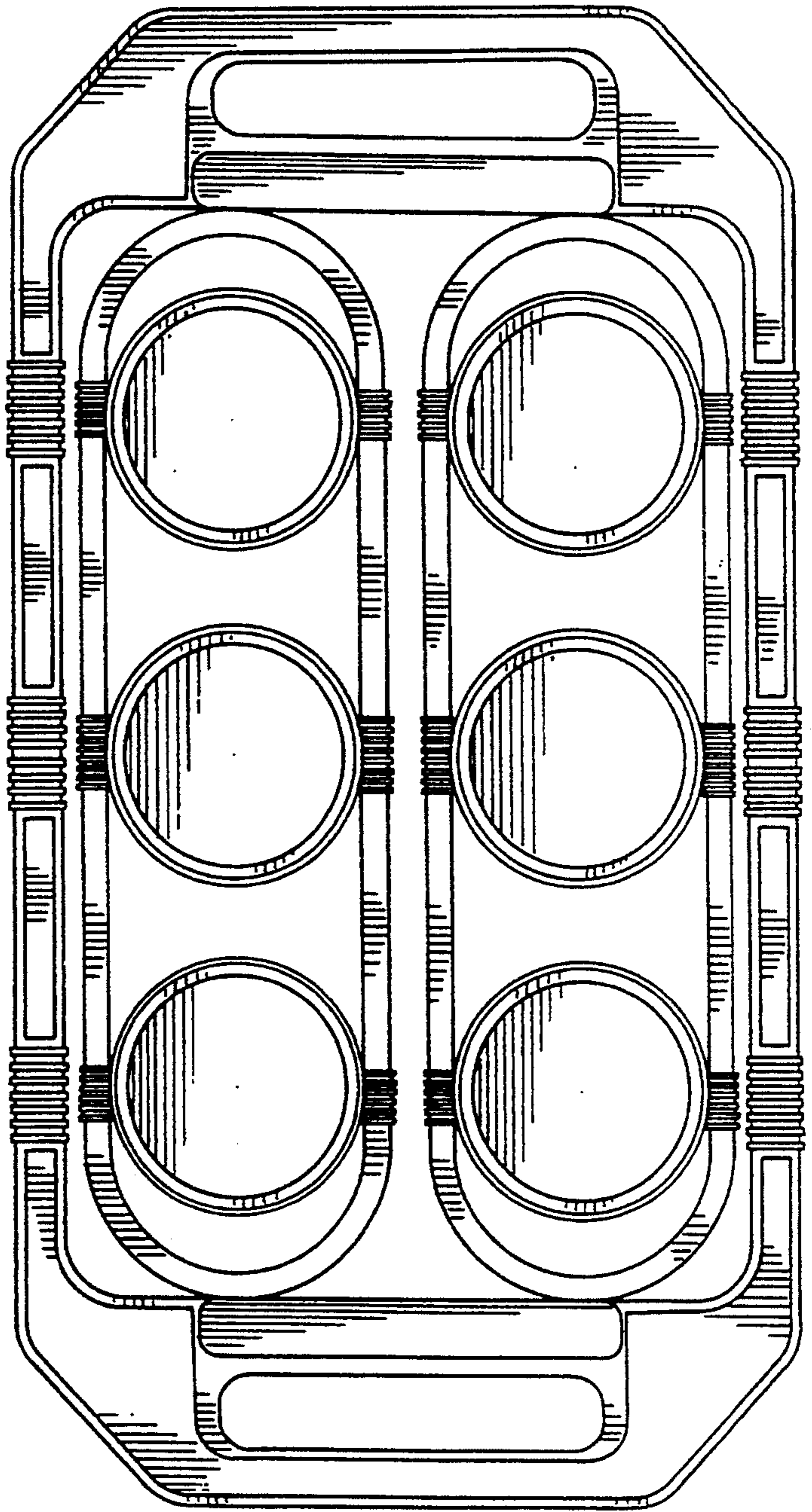


Fig.26

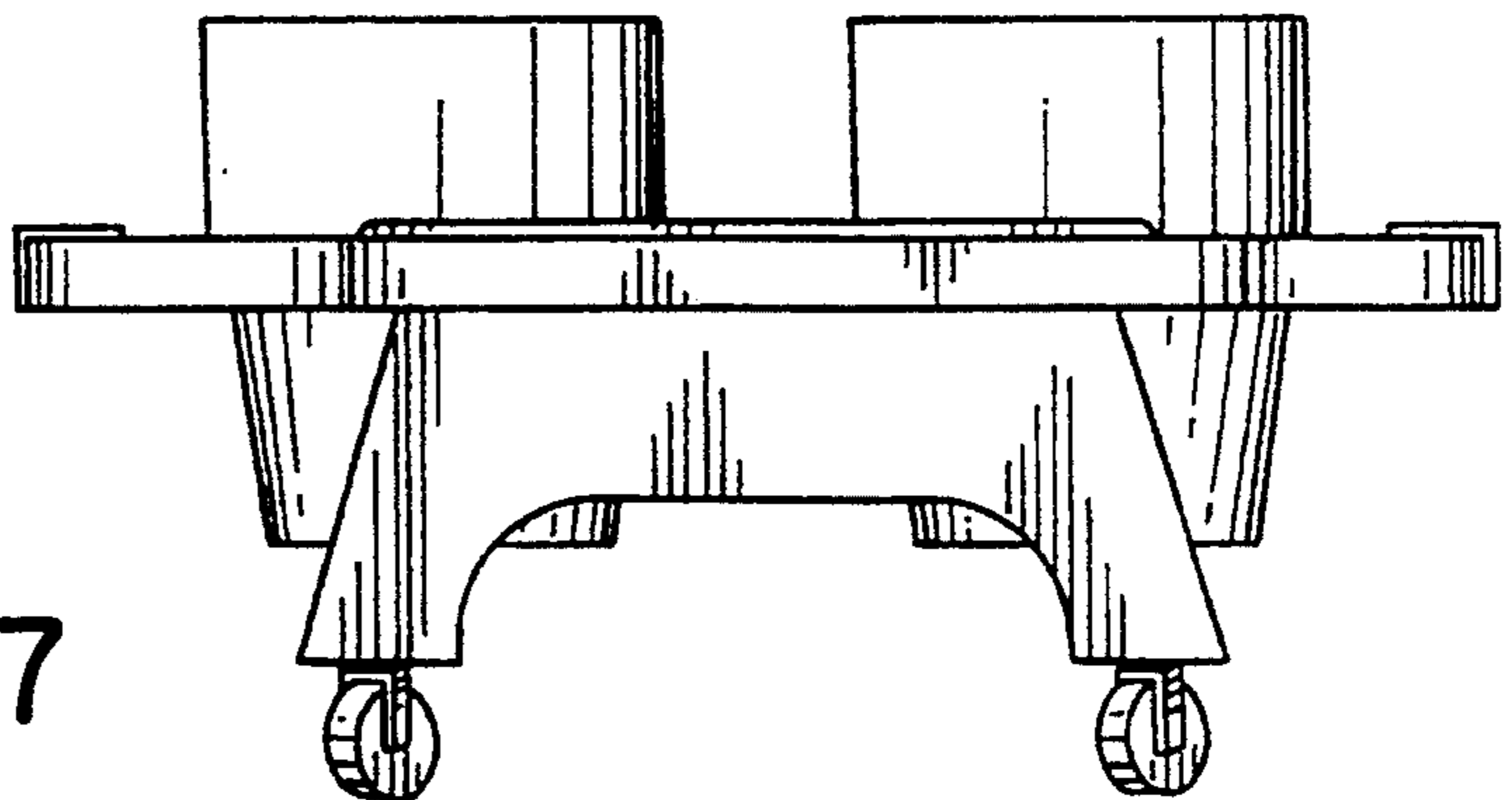


Fig.27