



US00D353973S

# United States Patent [19]

[11] Patent Number: **Des. 353,973**

**Adado**

[45] Date of Patent: **\*\* Jan. 3, 1995**

[54] **DRINKING RECEPTACLE**

[75] Inventor: **John G. Adado**, Grand Rapids, Mich.

[73] Assignee: **AMG, Inc.**, Grand Rapids, Mich.

[\*\*] Term: **14 Years**

[21] Appl. No.: **903,545**

[22] Filed: **Jun. 23, 1992**

[52] U.S. Cl. .... **D7/511; D7/510**

[58] Field of Search ..... **D7/391, 392, 392.1, D7/396, 300, 317, 321, 511, 510, 507, 509, 512, 548, 584, 538, 542, 572, 601, 602, 608, 531, 523; 220/713, 718, 711, 254, 703, 716, 715, 717, 705, 719, 708; 215/11.1; 206/501; D24/197; D9/436, 435, 417, 431, 436, 341, 447, 503, 449, 532, 504, 503, 337, 434**

|           |         |                     |            |
|-----------|---------|---------------------|------------|
| 3,185,341 | 5/1965  | Barbour .....       | 220/718    |
| 3,301,459 | 1/1967  | Gardner .....       | 220/711 X  |
| 3,412,892 | 11/1968 | Waksman et al. .... | D7/509 X   |
| 3,915,355 | 10/1975 | Young .             |            |
| 4,099,642 | 7/1978  | Nergard .           |            |
| 4,133,446 | 1/1979  | Albert .            |            |
| 4,136,799 | 1/1979  | Albert .            |            |
| 4,190,173 | 2/1980  | Mason et al. .      |            |
| 4,212,408 | 7/1980  | Valenzona .         |            |
| 4,394,928 | 7/1983  | Philip .            |            |
| 4,986,437 | 1/1991  | Farmer .            |            |
| 5,085,336 | 2/1992  | Lynd .....          | 220/708    |
| 5,109,996 | 5/1992  | Sullivan .....      | 215/11.1 X |

*Primary Examiner*—Alan P. Douglas  
*Assistant Examiner*—M. N. Pandozzi  
*Attorney, Agent, or Firm*—Ian C. McLeod

[56] **References Cited**

**U.S. PATENT DOCUMENTS**

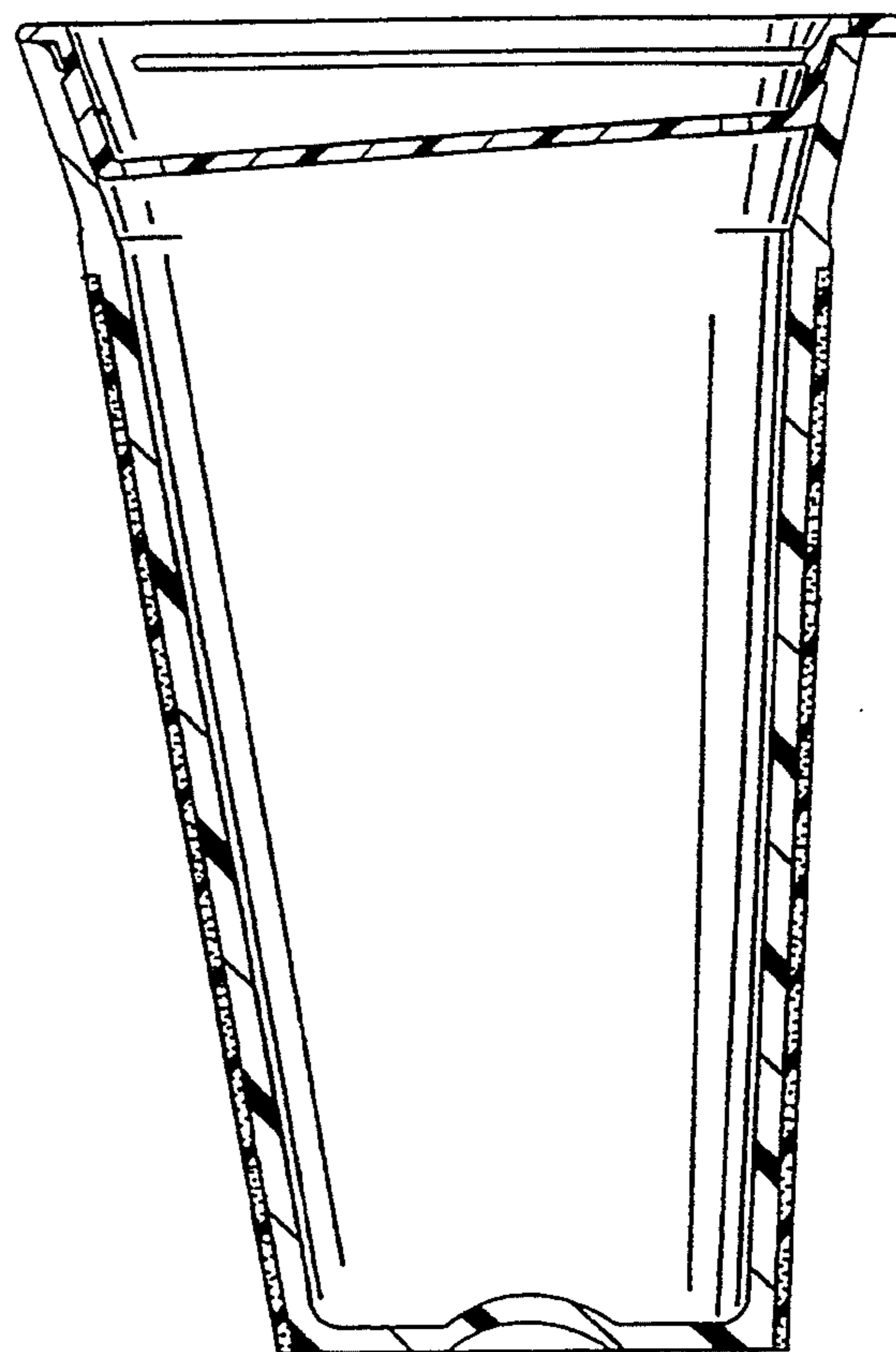
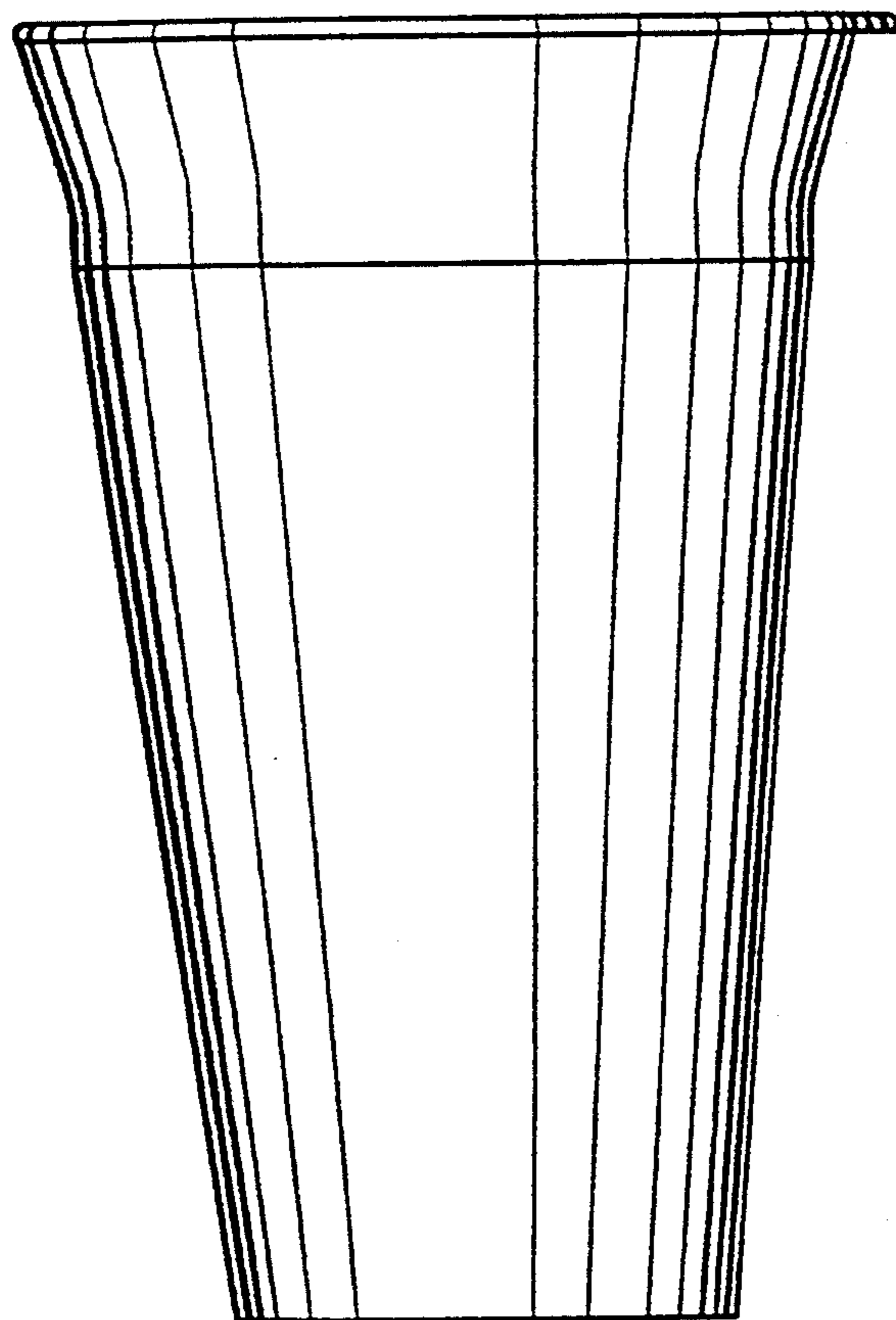
|            |         |                  |           |
|------------|---------|------------------|-----------|
| D. 158,187 | 4/1950  | Geerlings .....  | D7/510    |
| D. 214,458 | 6/1969  | Riley .....      | D7/510 X  |
| D. 282,616 | 2/1986  | Gallagher .....  | D7/392.1  |
| D. 289,955 | 5/1987  | Buist .          |           |
| D. 291,659 | 9/1987  | Powell .....     | D9/436 X  |
| D. 302,943 | 8/1989  | Cuzenza .....    | D9/503 X  |
| D. 312,157 | 11/1990 | Sjolander .....  | D9/532 X  |
| D. 323,116 | 1/1992  | Dart et al. .... | D9/447    |
| 2,012,113  | 8/1935  | Thompson .....   | D7/511 X  |
| 2,437,784  | 3/1948  | Laskin .         |           |
| 2,861,716  | 11/1958 | Kramer .....     | 220/719 X |

[57] **CLAIM**

The ornamental design for a drinking receptacle, as shown and described.

**DESCRIPTION**

FIG. 1 is a left side elevational view of a drinking receptacle showing my new design, the right side being a mirror image thereto;  
FIG. 2 is a rear elevational view thereof;  
FIG. 3 is a front elevational view thereof;  
FIG. 4 is a top plan view thereof;  
FIG. 5 is a bottom plan view thereof; and,  
FIG. 6 is a cross-section of the drinking receptacle of FIG. 2 along line 6—6.



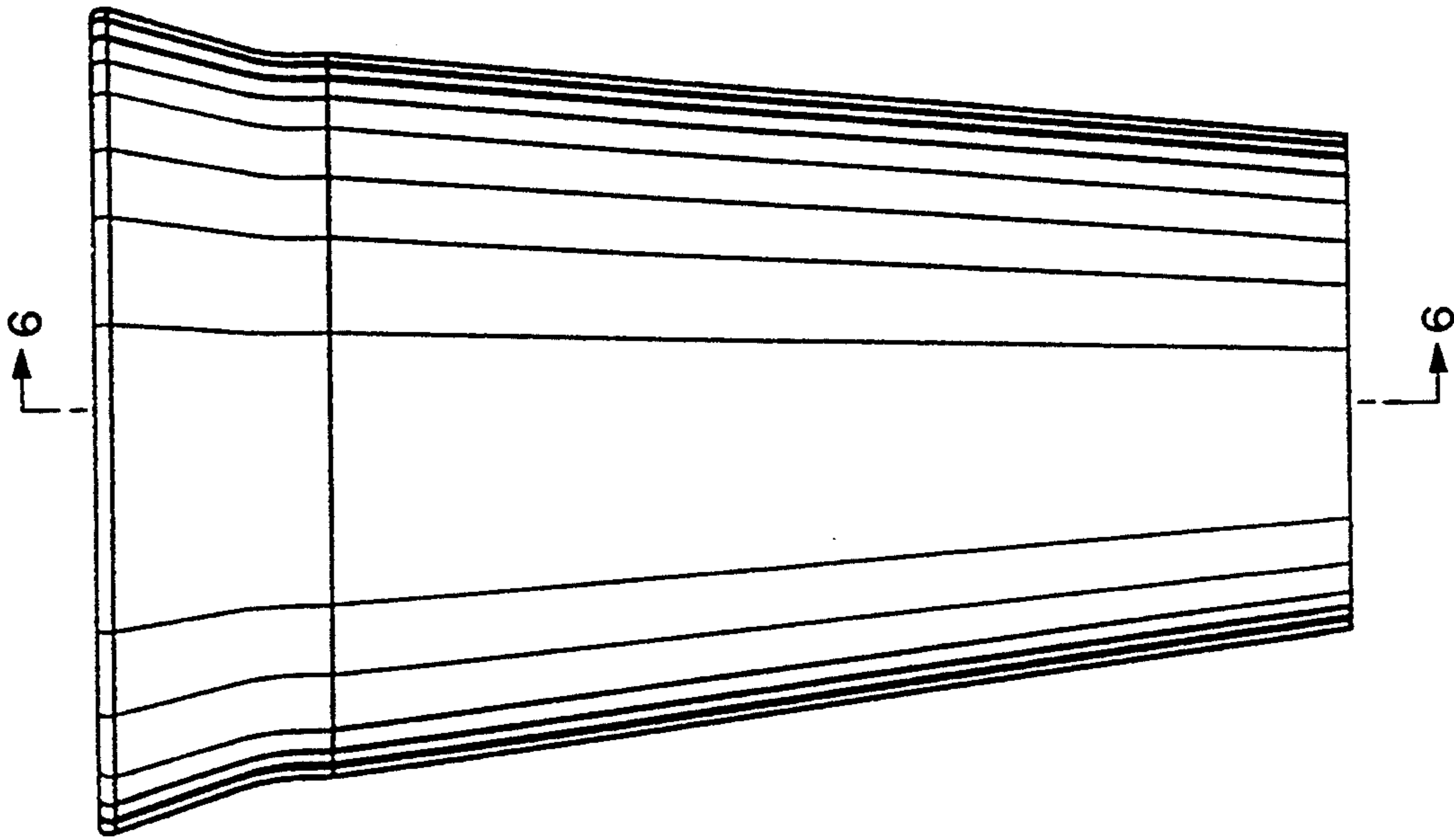


FIG.2

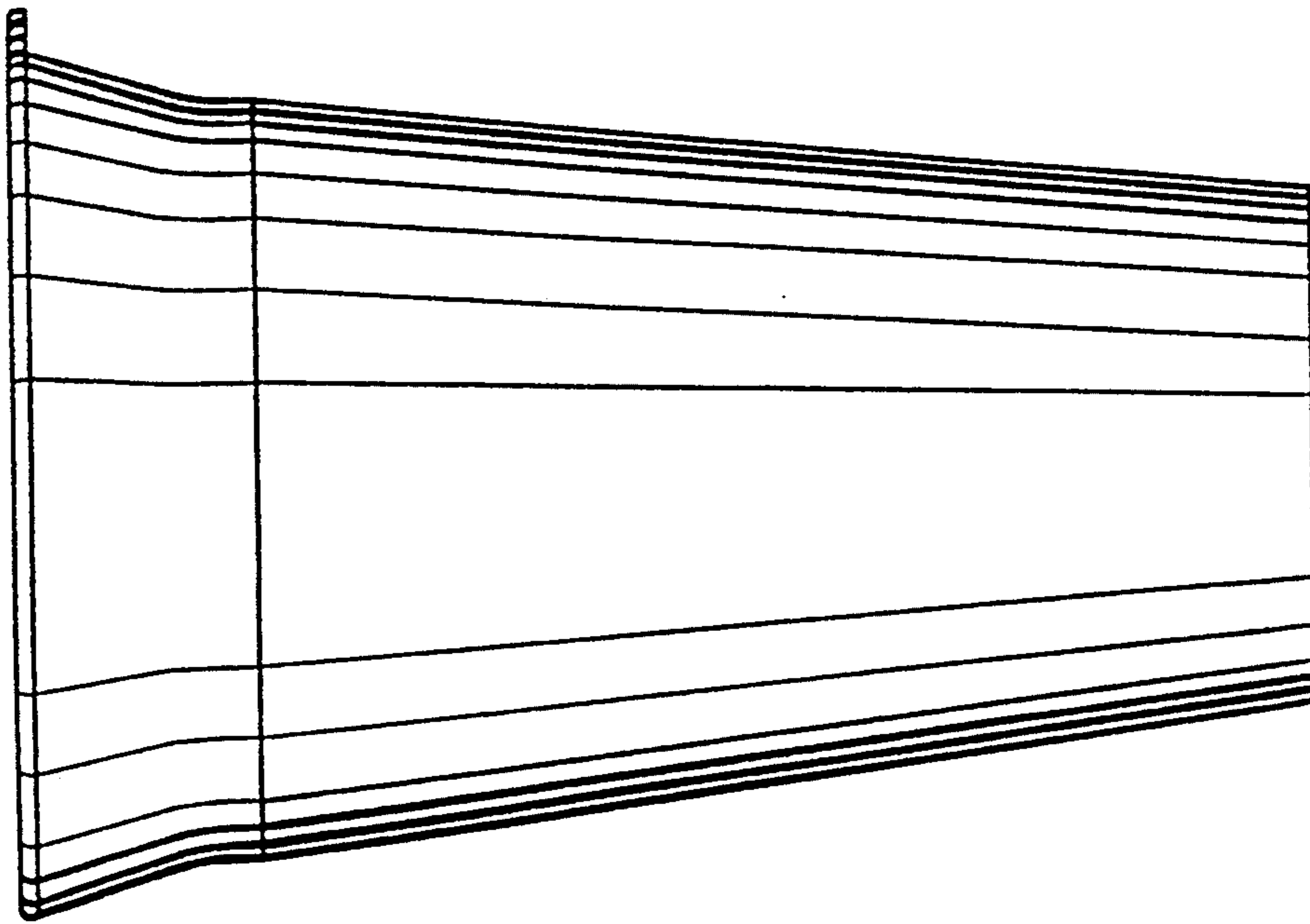


FIG.1

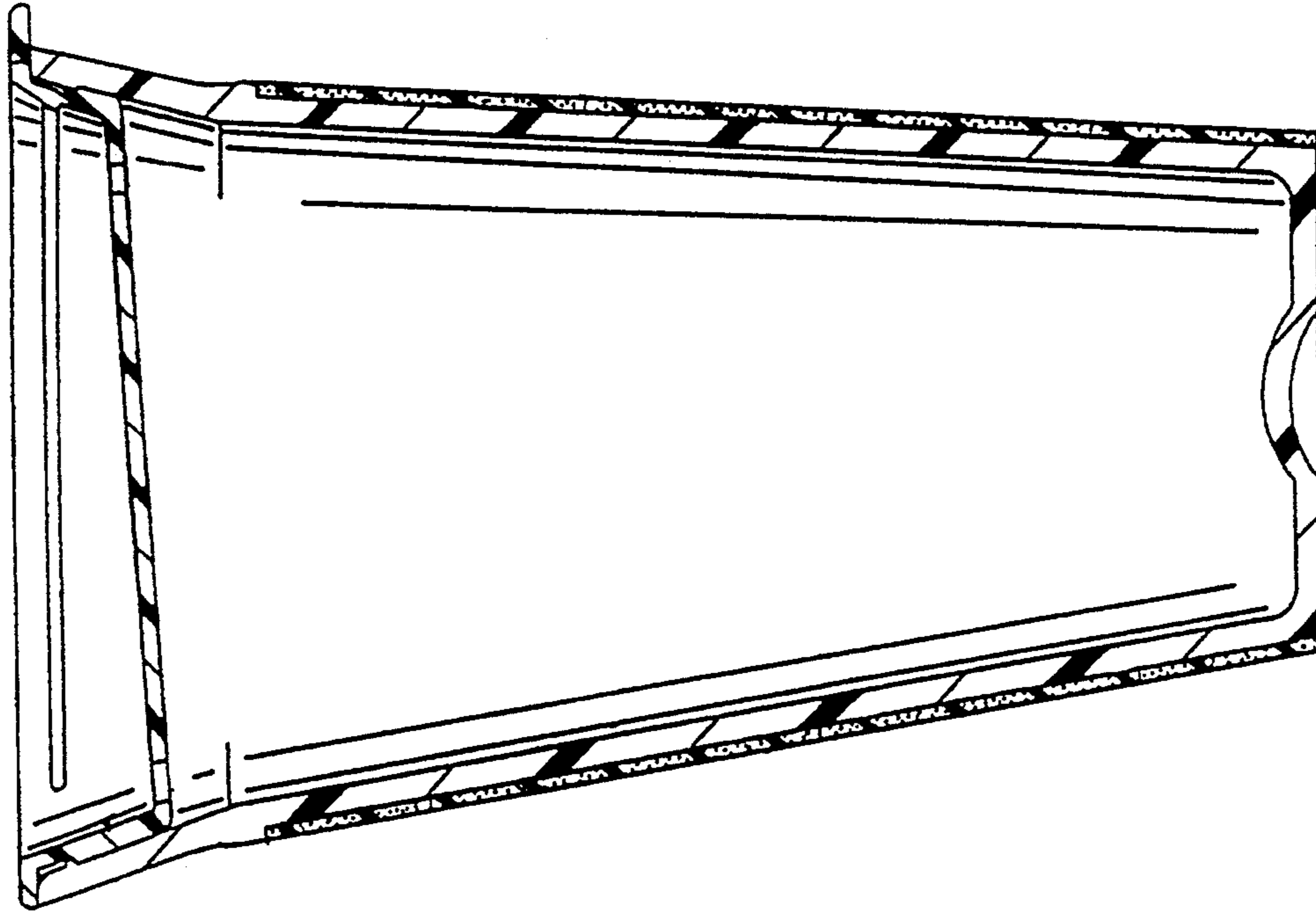


FIG. 6

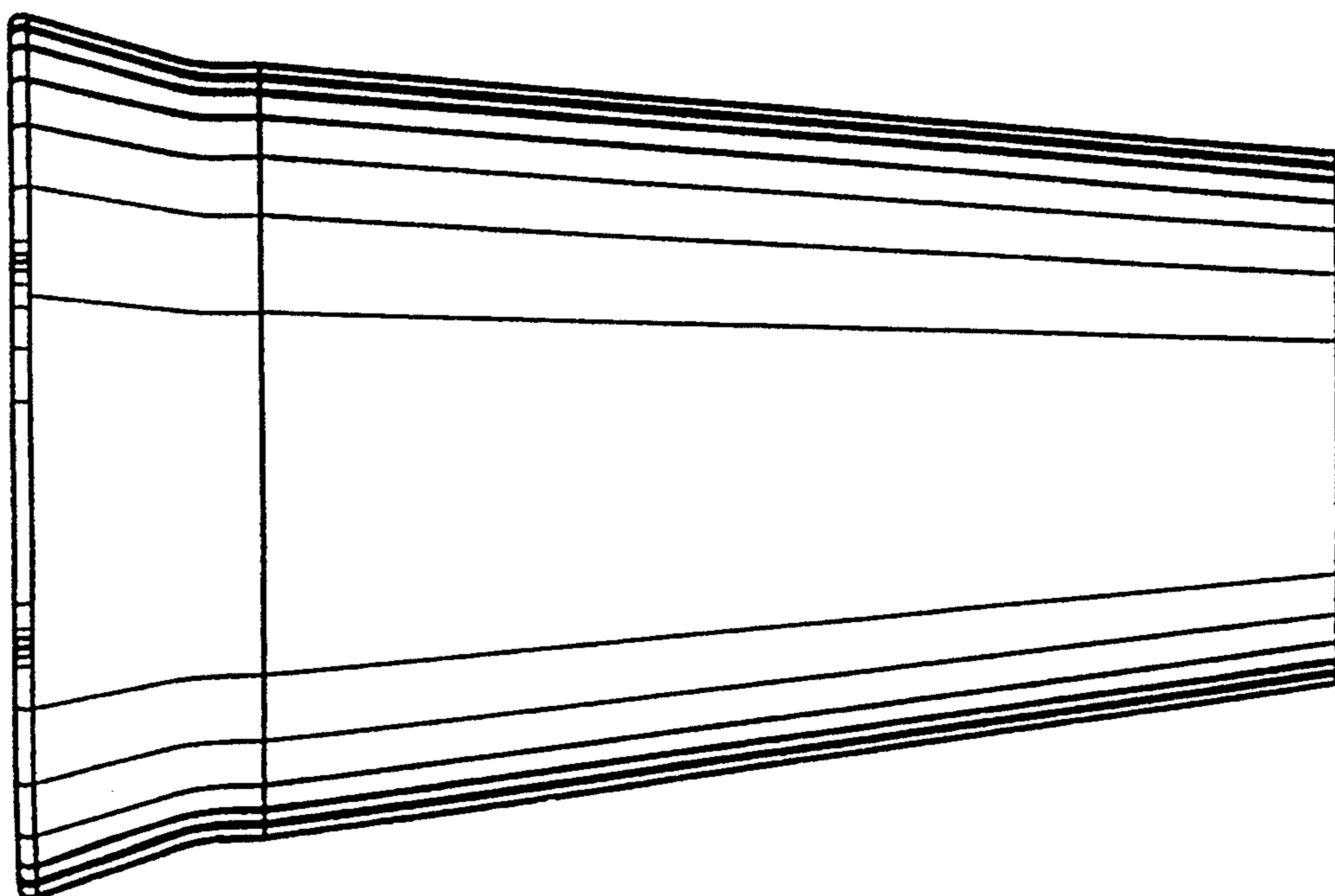


FIG. 3

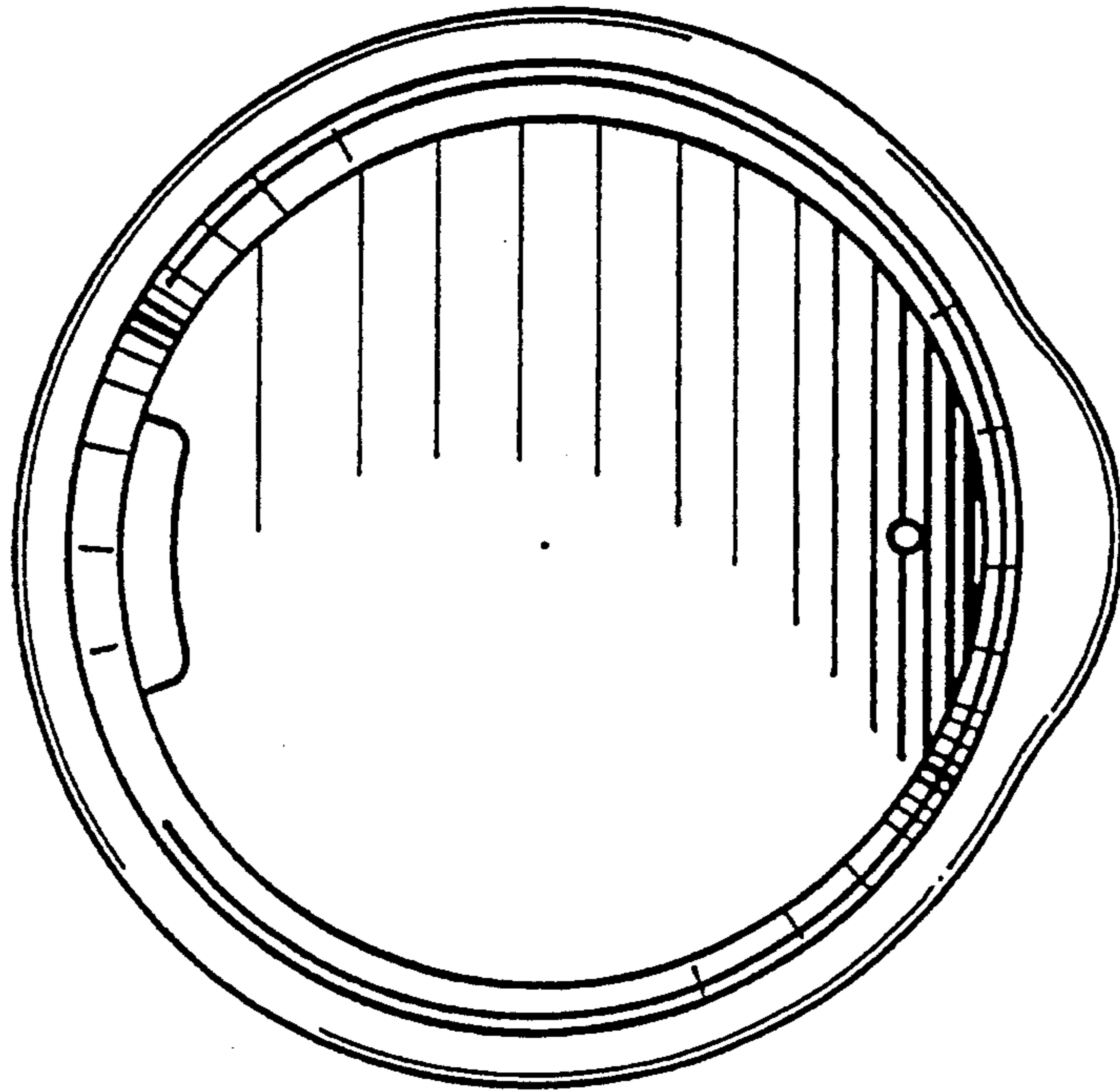


FIG. 4

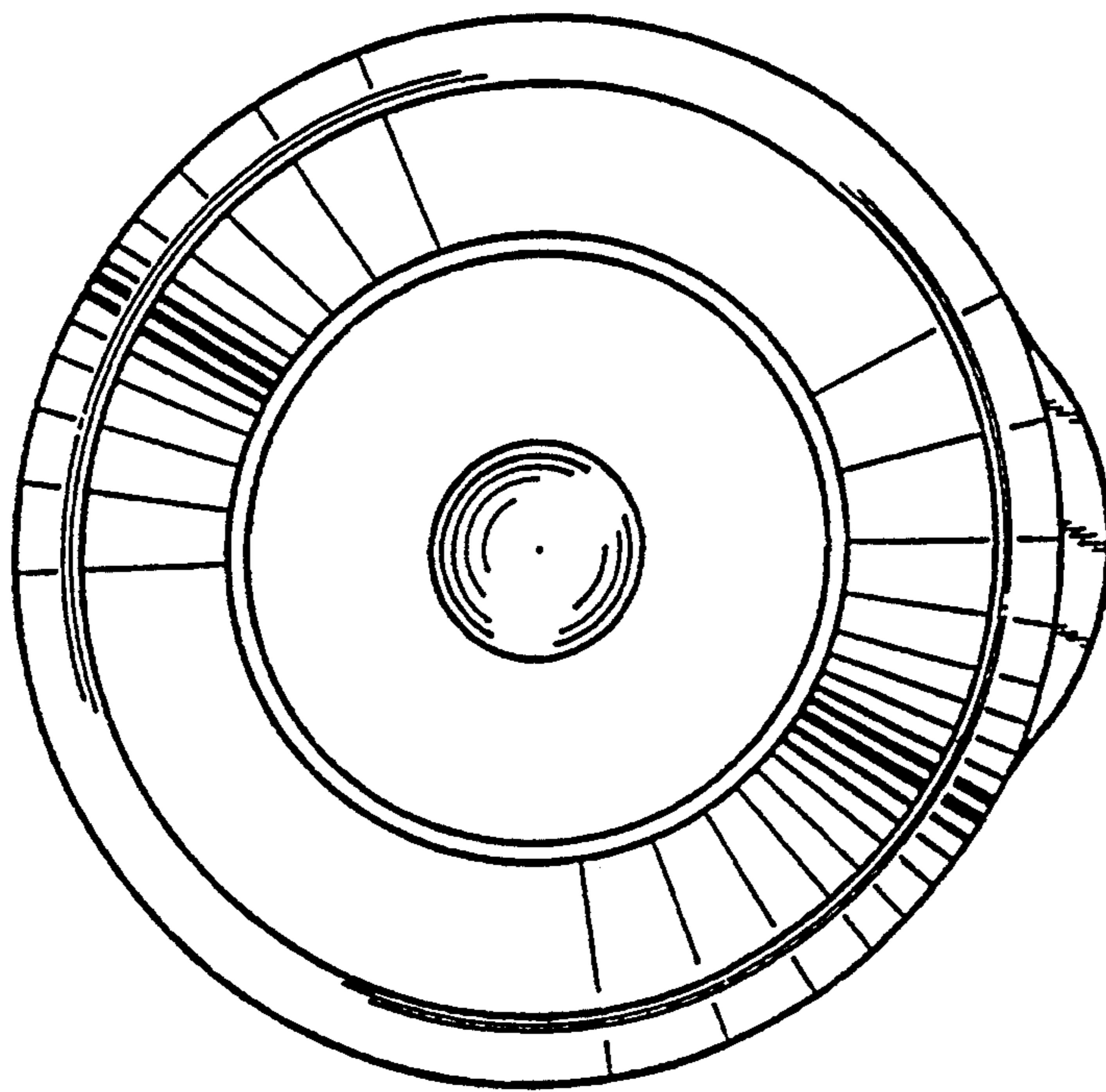


FIG. 5